

Compressed Air Treatment

Catalog 9EM-TK-190-1



WILKERSON®

WILKERSON®

First incorporated in August of 1948, Wilkerson manufactures a complete line of compressed air treatment and control products to meet a wide variety of industrial, process, consumer and health care applications. Today, Wilkerson serves over 500 different industries throughout the world.

Over the years, Wilkerson facilities, manufacturing and engineering technology have kept pace with increased sales volume, the growing need to satisfy customers' specific requirements and the demands placed on production.

Wilkerson's growing leadership in the industry is due to our determined commitment to quality; quality of

products, services and people. Our dedication to the total quality management process assures our customers that we can consistently provide the highest levels of product quality and customer service required to meet their needs.

From the very beginning, Wilkerson has sold its products through a world-wide, independent distributor network. We currently have 200 distributors throughout North America, plus an expanding network of international distributors in over 40 countries. Our distributors, who have many years of experience in compressed air treatment and control, offer excellent product knowledge, technical assistance

and local inventory. As a result of representing other complimentary products, they are able to satisfy their customers' total requirements.

Today's broad line of Wilkerson products is the result of continuing product innovations and technology advancements which frequently become industry standards. Wilkerson is dedicated to designing and manufacturing innovative products with features and operating characteristics that meet customer requirements for quality, performance, reliability, serviceability, safety and value.

WARNING

FAILURE OR IMPROPER SELECTION OR IMPROPER USE OF THE PRODUCTS AND/OR SYSTEMS DESCRIBED HEREIN OR RELATED ITEMS CAN CAUSE DEATH, PERSONAL INJURY AND PROPERTY DAMAGE.

This document and other information from The Company, its subsidiaries and authorized distributors provide product and/or system options for further investigation by users having technical expertise. It is important that you analyze all aspects of your application including consequences of any failure, and review the information concerning the product or system in the current product catalog. Due to the variety of operating conditions and applications for these products or systems, the user, through its own analysis and testing, is solely responsible for making the final selection of the products and systems and assuring that all performance, safety and warning requirements of the application are met.

The products described herein, including without limitation, product features, specifications, designs, availability and pricing, are subject to change by The Company and its subsidiaries at any time without notice.

Offer of Sale

The items described in this document are hereby offered for sale by The Company, its subsidiaries or its authorized distributors. This offer and its acceptance are governed by the provisions stated on the separate page of this document "Offer of Sale".

Table of Contents

Compressed Air Systems

Introduction and Technical Information

A

Modular Compressed Air Treatment Products

Filters, Coalescers, Regulators, Lubricators, Filter / Regulators, 2 & 3-Unit Combinations
(08 / 12 / 18 / 28 / 39 Series)

B

Additional Modular Products

Slow Start / Electronic Proportional Regulator / Electronic Regulator / Electronic
Proportional Valve / Membrane Dryers / Safety Lockout Valves / Pressure Switches /
Diverter Blocks

C

Modular Accessories & Repair Kits

08 / 12 / 18 / 28 / 39 Series

D

General Compressed Air Treatment Products

Filters, Coalescers, Desiccant Dryers, Regulators, Lubricators, Filter / Regulators,
2 & 3-Unit Combinations

E

Accessories & Repair Kits

0X / 1X / 2X / 3X / 4X / 5X Series

F

Stainless Steel Compressed Air Treatment Products

Filters, Coalescers, Regulators, Filter / Regulators, Lubricators

G

Additional Compressed Air Treatment Products

Relief Valve, Moisture Indicator, Exhaust Muffler, Exhaust Silencer Mist Eliminator,
Liquid Separators, External Drains

H

Safety Guidelines

J

Offer of Sale

K

Compressed Air Systems

Air Treatment and Control Components

Compressed air is an essential power source for most industries today. It is a safe operation, relatively inexpensive to operate and very reliable. However, compressed air is susceptible to various types of contamination which not only reduces its value as a power source, but can seriously affect the performance of other pneumatic equipment and, therefore, productivity.

Air valves, air cylinders, logic control systems and air tools can malfunction due to air-borne contamination. Air intended for air-gauging, air conveyors, spray painting, instrumentation, automation and food processing can be rendered unusable. Poor product quality and system shutdown due to compressed air contamination can occur frequently. There are many other problem areas associated with compressed air contamination, as numerous companies in differing industries can attest to.

With today's technology, an efficient, cost-effective compressed air system can be designed to provide years of reliable service if the proper air treatment and control equipment is installed. Operating and maintenance costs can be

significantly lowered by removal of most contaminants (dirt, rust, pipe scale, oil aerosols, liquid water and water vapor, microscopic particles and oil vapor). With a well-designed air system and the use of quality air treatment and control products, you can realize extended service life of components, increased flow capacity with minimum pressure loss and improved production efficiencies in your manufacturing processes.

Air Treatment and Control

To take the fullest advantage of the benefits that can be derived from using compressed air, it must be correctly and adequately prepared. Clean, dry, regulated air is the corner-stone of an efficient air system. Where necessary, lubricated air may be required to provide dependable operation and satisfactory service life of certain air tools and components.

Dryers

All atmospheric air contains some water vapor. When the air is compressed, the water content for a given volume of air increases. Because of the effects of compression, most of this water

vapor turns into damaging liquid water in your air system. Additionally, as air flows through the compressed air line system, the water vapor condenses in the pipeline. This moisture in the pipeline results in rust, scale, clogged orifices, malfunctioning of pneumatic controls, and increased wear of moving parts as it washes away the lubricant.

Compressed air dryers reduce the water vapor concentration and can prevent further liquid water formation in air lines. Liquid water and water vapor removal increases the efficiency of air operated equipment, prevents corrosion and clogging, extends the service life of pneumatic components, prevents air line freeze-ups and reduces product rejects.

Filters

Air-borne contamination from the atmosphere, such as dust, water vapor and hydrocarbons enter the air system through the compressor intake. The contaminants, usually 4 million particles per cubic foot, can easily pass through a typical compressor intake filter since over 80% of these particles are less than 2 microns in size. The compressor also contributes to the problem with wear particles, oil vapor and fine

aerosols that leak past glands and seals from the oil sump into the compression chamber.

Such contamination in the air system can effect the efficient operation of various pneumatic devices and, over time, damage them. Compressed air filters that are installed upstream of the air devices will remove most of these contaminants. In addition, by design these filters will also remove most liquid water from the air line.

The need for higher quality air is more evident today than in the past. To gain improved production efficiencies through automation, more sophisticated, technically advanced pneumatic equipment and instrumentation is being used throughout industry. Due to the critical nature of these applications, the need for extremely clean, virtually oil free air is required. Coalescing (oil removal) and oil vapor removal filters should be used for applications requiring high quality air.

Regulators

All pneumatic devices are designed to provide optimum performance and service life at a specific air pressure. While it is feasible to operate these devices at pressures

in excess of the manufacturer's recommended operating conditions, it is not advisable to do so.

Operating at higher pressures can cause excessive wear and damage to the device. Further, operating your compressed air system at a higher-than-required pressure wastes energy and is not cost-effective.

To obtain the best operation and service life of your pneumatic equipment use the proper pressure level recommended by the manufacturer. A regulator (pressure control valve) is normally used to reduce and maintain a downstream pressure while the amount of air required to the device may vary with the demand.

Filter / Regulators

The integral Filter / Regulator units combine all the functions and features of a filter and a regulator, as discussed above, into one compact, high performance, space-saving unit.

Lubricators

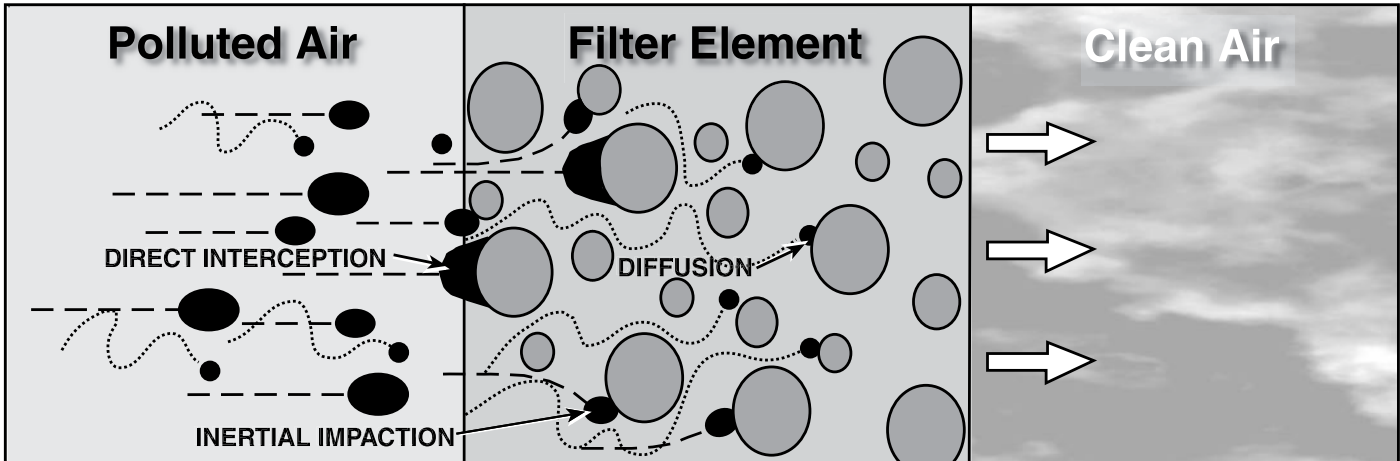
Getting the proper lubrication to the proper device at the proper time is fundamental to preventative maintenance, longer service life and

increased productivity. The efficiency of air motors, control valves, cylinders and other air actuators can be greatly enhanced when the proper amount of lubrication is supplied.

Air line lubricators are specifically designed to generate and introduce an oil aerosol (mist) into the compressed air flow. The air flow then carries the oil to the pneumatic devices where the lubricant mist coats the moving and sliding surfaces thus reducing friction and wear.

To provide satisfactory lubrication to your air devices most lubricators have a proportional delivery system. This feature automatically provides a nearly constant oil-to-air ratio over a wide range of air flows.

Filter Technology – Mechanisms of Filtration



Coalescing Filters

Essentially, coalescing filters (Type B, B1 and C) rely on what is known as mechanical filtration for their effectiveness. The main mechanisms of mechanical filtration are direct interception, inertial impaction and diffusion. Electrostatic attraction can have some bearing although the efficiency of Wilkerson coalescing filters is not dependent on this mechanism.



Above: Clean borosilicate microfiber seen at a magnification factor of 3900. Right: The same filter material in a contaminated state at the same degree of magnification.



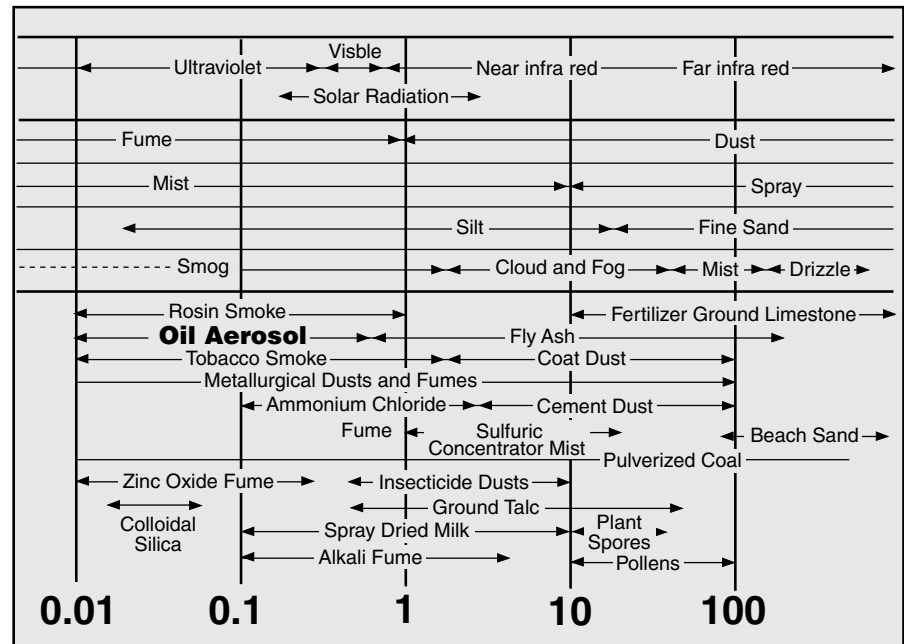
When all mechanisms are combined and utilized by a deep bed of the correct type of filter material, removal of virtually all particles whether liquid or solid, is achieved.

Direct Interception occurs when a particle collides with and adheres to a fiber of the filter material without deviating out of the streamline flow. This mechanism tends to take place on the surface of the filter material and affects mainly larger particles over 1 micron in size.

Inertial Impaction occurs when a particle is unable to follow the tortuous path around the filter fibers and eventually collides with and adheres to one of the fibers. Typically affecting particles in the 0.3 micron -1 micron size range.

Diffusion or Brownian Movement, as it is sometimes called, occurs with extremely small particles which tend to wander within the gas stream, increasing their chances of colliding with and adhering to a fiber. This usually affects particles below 0.3 micron in size. A degree of overlap takes place with the mechanisms, the extent varying on the conditions.

Pollution Size Chart



To assist in understanding the parameters of filtration, refer to this pollution size comparison chart. Look at the size of a major contaminant, **oil aerosol!** It is in the region of 0.01 - 0.8 micron. Tobacco smoke is also

a liquid aerosol in a similar size band 0.01 -1.2 micron. Observe the smoke test yourself, appreciate the size of the problem! The smallest particle the human eye can see is in the order of 40 microns.



Particulate Filters

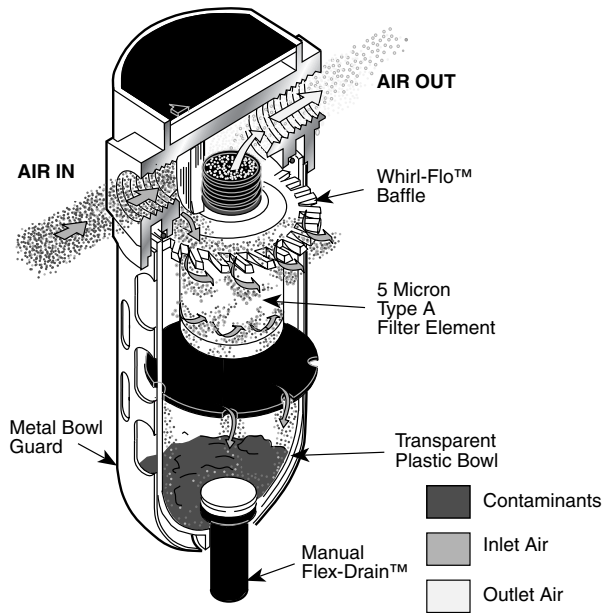
For the removal of solid particle contaminants down to 5 microns and the separation of bulk liquids.

This type of filter is generally used in industrial applications where liquid water and oil, and harmful dirt particles must be removed from the compressed air system. This type of filter should also be used as a prefilter for the Coalescing (oil removal) filter.

Operation

Wet and dirty inlet air is directed downward and outward in a circular pattern by the turbine-shaped upper baffle. This action mechanically separates a large amount of the liquid and gross particles, which then flow down the inside of the bowl, past the lower baffle, into the quiet zone to be drained away. The quiet zone baffle prevents the contaminants from re-entering the air flow stream.

The partially cleansed air then passes through the filter element. By utilizing depth filtration, the 5 micron filter media provides superior filtration, exceptional service life and minimum pressure drop.



Coalescing Filters (Oil Removal)

Specifically designed for the removal of solid particles, water and oil aerosols down to 0.01 micron. Maximum remaining oil content of air leaving the filter down to 0.01ppm at 70°F (21°C) at a pressure of 100 PSIG (6,9 bar g) using a typical compressor lubricant. Two filter element grades are offered to better meet your air quality requirements.

Grade B and B1 filter elements are used for most air coalescing applications where the removal of liquid aerosols

and submicronic particles for *general* air quality is required. Protection of components such as air valves, cylinders, as well as air conveyors, air gaging, air bearings, air control circuits and paint spraying equipment are examples of specific end-use applications. This grade of filter element should be used as a *prefilter* for the *Grade C* coalescing filter.

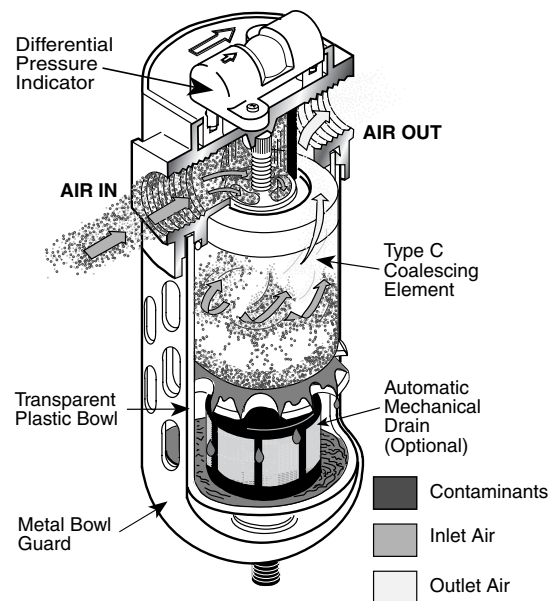
Grade C high-efficiency filter elements are used where the removal of extremely fine particulate and virtually “oil-free” or high quality air is necessary. Specific end-use applications are protection of critical air control circuits, air logic systems, flow and temperature controllers, food processing, electronics, health care and film processing. This grade of filter element should be used as a *prefilter* for the *Grade D* oil vapor removal filter.

Operation

The filter element design utilizes a borosilicate micro fiber that provides superior filtration efficiency, quick draining and minimum pressure drop. Unlike standard particle filters, air flow is inside to out. The compressed air / gas passes through the inner layer of the filter element which acts as an integral pre-filter to remove large contaminants. This gives protection to the layer of high efficiency filter material which substantially removes submicronic aerosols and solids from the air flow stream. Solid particles are permanently trapped within the filter media.

The fine liquid particles, including aerosols, after initially being trapped by the fibers of the filter media, begin to collect or coalesce forming larger droplets. These droplets, along with other large droplets present, are pushed to the outer surface. Here, the anti-re-entrainment barrier collects the droplets as they break free from the micro fiber and allow them to gravitate within its cellular structure forming a “wet band” around the bottom of the element.

Clean filtered air / gas passes through the anti-re-entrainment barrier above the “wet-band” where the resistance to flow is less, leaving a quiet zone of no air / gas movement in the bottom of the filter housing. The separated liquid drops from the bottom of the filter element and falls through the, without being re-entrained, to the bottom of the filter housing where it collects to be removed by a drain.



Oil Vapor Filters

Activated carbon element for the removal of oil vapor and oil associated odors. Maximum remaining oil content of air leaving the filter is 0.003 ppm at 70°F (21°C) at a pressure of 100 PSIG (6,9 bar g). For the *Grade D* filter element, two types of designs are used depending on the size and flow capacity of the filter housing.

An oil vapor filter is used, in conjunction with a *Grade C* filter element, where the application requires very high air quality. Typical applications are food processing and packaging, pharmaceutical, fermentation, electronics and semi-conductor, and critical air control.

Operation

While the *Grade B, B1 and C* filter elements can remove extremely fine liquid and solid particles, they cannot remove gaseous contaminants such as oil vapor or odors. To do this you must employ the physical phenomena of adsorption. Activated carbon, having an affinity for oil vapor molecules and with an extremely high surface area, created by its capillary structure, is used.

Our activated carbon *Grade D* filter elements are designed to maximize the adsorption properties of the carbon. This is achieved by first passing the air through carbon granules located either in an annular space or tubular section. The granules provide a very high ratio of surface area to volume, and when arranged in a deep bed, increases the dwell time of the air flow. This type of design provides the benefit of both high efficiency and longer service life of the activated carbon.

Differential Pressure Indicator (DP2, DP8)

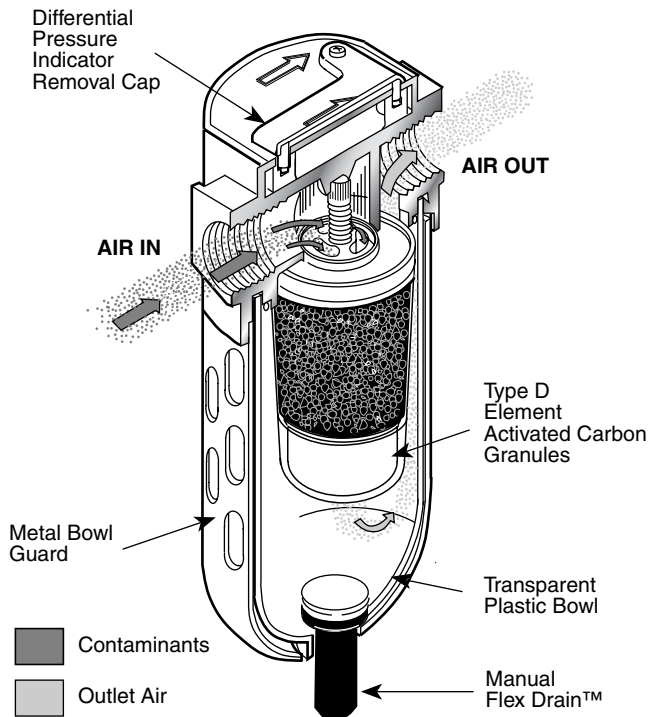
The Wilkerson direct mounting Differential Pressure Indicator is equipped standard on most Coalescing Filter models. It provides a maintenance free means of determining the service life of the filter element. With a new filter the indicator shows all green, and progresses to a full red indication a 7-8 PSID, indicating the element should be changed. The magnified indicator can be easily seen from the top or either side of the filter, and with only one moving part will provide reliability and long life.

The Differential Pressure Indicator cannot be retrofitted to Wilkerson filters ordered without it. It is available as a replacement accessory kit.

Note: The maximum operating pressure for metal or plastic bowls with this Indicator is 150 PSIG. The maximum operating temperature is 150°F for metal bowls and 125°F for plastic bowls.

DP3 Differential Pressure Gauge

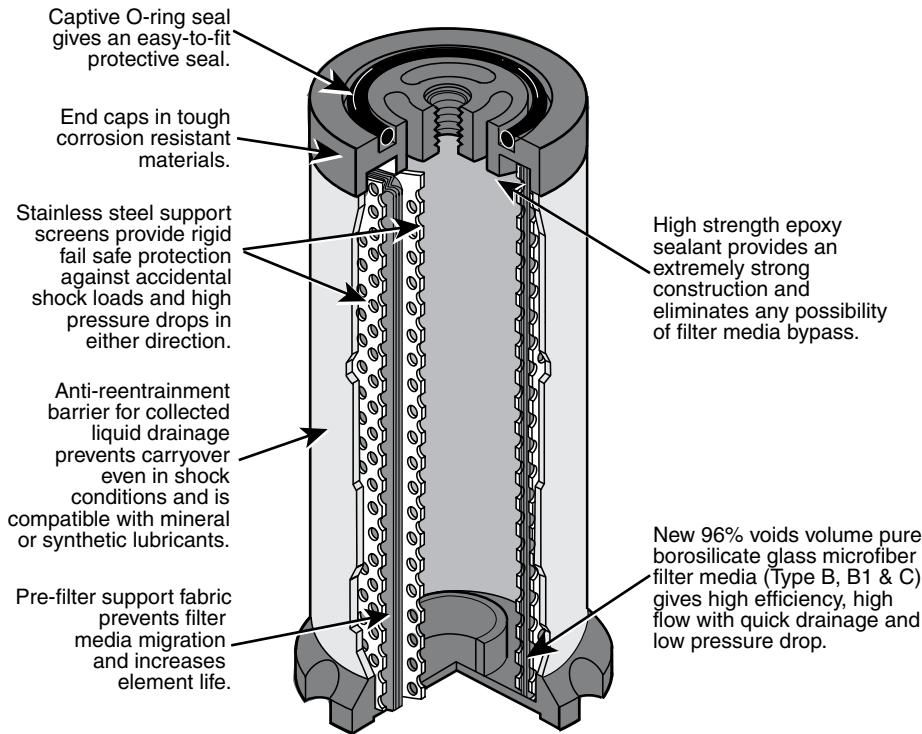
The Wilkerson direct mounting Differential Pressure Gauge (non-pressurized face) is standard on all mainline filters and it is available as an accessory in kit form. With a scale reading to 20 PSID (1370 m bar dp) the gauge gives a quick indication of the status of the filter element in the filter. The gauge provides a reliable method to help ensure that the filter element is changed at the most economical and convenient time.



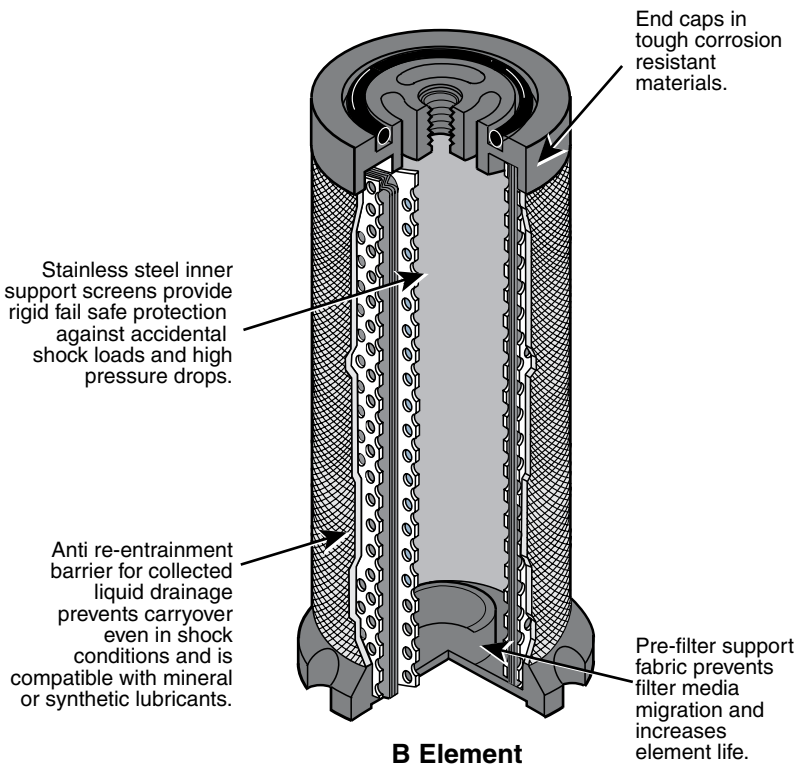


Coalescing Elements Features and Benefits

Type B, B1 & C



B1 and C Element

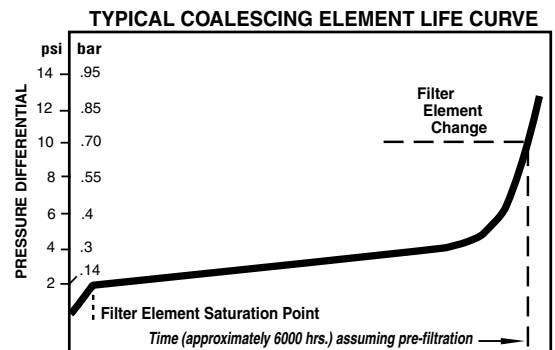


B Element

How The Elements Work

Using the principles of mechanical filtration, the filter media removes the solid particles first in the pre-filter support layers and then in the actual filter media. These particles remain permanently trapped and gradually cause an increase in pressure drop. The liquid particles similarly collected coalesce together forming larger droplets and as the flow is inside to out, are pushed to the outer surface. Here, the anti-reentrainment barrier prevents them from being introduced back into the airstream and instead drains them through its cellular structure to the bottom of the element. The resultant "wet-band" on the bottom of the element, in presenting a high pressure drop area, ensures that the filtered air passes through the upper portion of the element. This creates a "quiet zone" in the bottom of the filter through which the liquid falls to the bottom of the filter bowl and is drained away via the automatic drain.

As mentioned earlier, solid particles cause the pressure drop to slowly increase throughout the working life. Initially, during the period to reach an equilibrium saturation, as determined by the upstream liquid contamination concentration, the pressure drop rises sharply as shown below. This is a typical pressure drop versus time characteristic for a coalescing filter. The end of useful and economic service life is indicated by an accelerating increase in pressure drop. The element should be replaced every 12 months or 6000 working hours under normal working conditions.



Adsorption Elements Features and Benefits

Type D

How The Elements Work

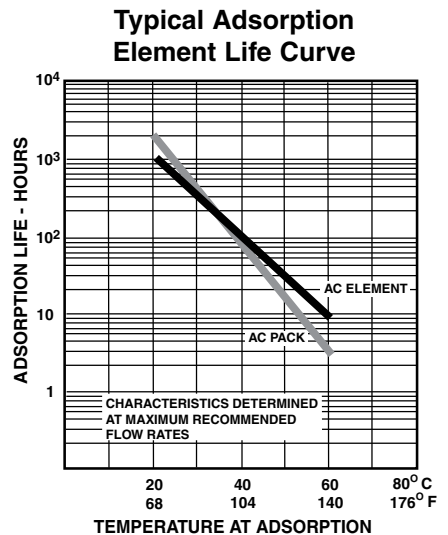
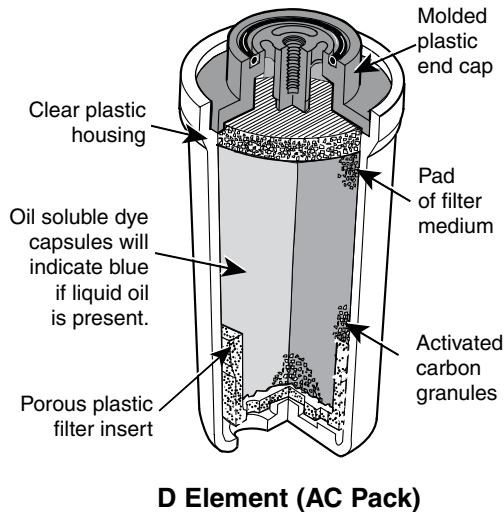
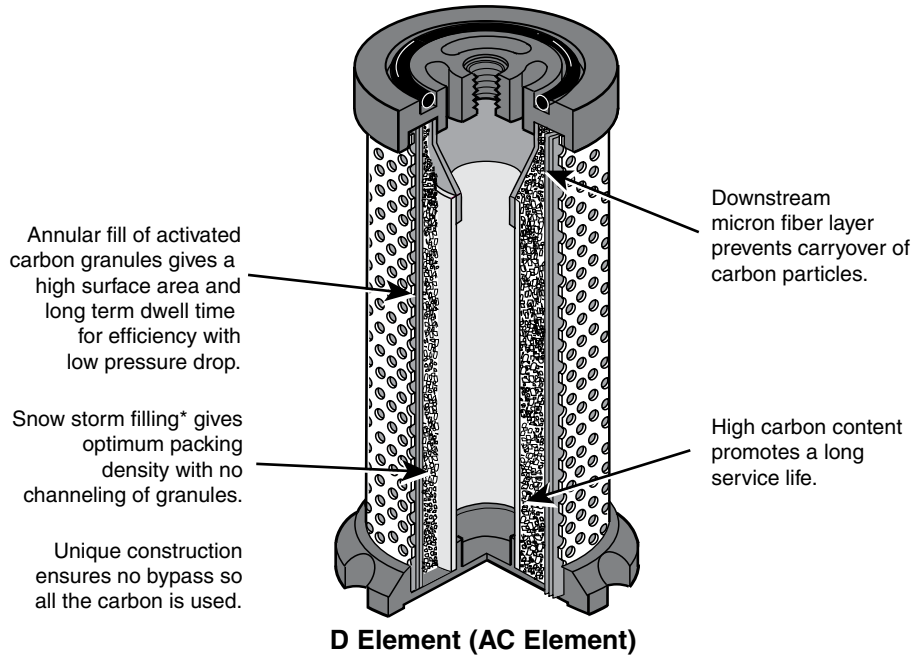
While mechanical filtration employing the Type C element is capable of removing extremely fine liquid or solid particles even as small as 0.01 micron it cannot remove gaseous contaminants such as oil vapor or odors. To do this we must employ the physical phenomena of adsorption. Activated carbon, having an affinity for oil vapor molecules and with an extremely high surface area, created by its capillary structure, is used for this.

Wilkerson activated carbon elements are designed to maximize the adsorption properties of the carbon. This is achieved by first passing the air through carbon granules, snow storm filled* into either an annular space or tubular section. The granules provide an extremely high surface area to volume and when arranged in a deep bed that increases dwell time gives the benefit of both efficiency and service life. After being passed through the carbon, the air goes through a layer of microfiber to prevent migration of fine carbon particles downstream.

Adsorption elements have a limited life and this is affected by many factors but principally temperature. Obviously, the higher the inlet temperature, the more oil vapor there is present, for example at 104°F (40°C) there is more than ten times the oil vapor than at 70°F (21°C). For this reason, activated carbon filters are best installed at the lowest possible system temperature. The type C filter should always precede a Type D filter.

The typical life of an adsorption element is in the region of 1000-2000 hours at 70°F (21°C). Filtration temperature is based on tests carried out on a Chlorobenzene test rig, however, this is best determined in practice by a routine "odor" check.

Oil vapor has a distinct odor. The least expensive and very effective way to check for oil vapor getting through the filter is to install a small bleed valve downstream. Periodically crack this valve and smell the air. The human nose is extremely sensitive to oil vapor and at the first hint of this odor, change the element.



Type B Filter Element Specifications

Efficiency

99.97% when tested with 0.3 micron aerosol DOP test Federal Standard 209B. Compatible with mineral and synthetic oils.

Residual Oil

0.5 ppm / wt (inlet temperature / pressure 70°F / 100 PSIG) when analyzed using infra red spectrophotometry based on the Pneurop 6611 procedure.

Air Quality Class *

Conforms to ISO 8573 Class 3 or better

Flow

Inside to outside

Filter Media

Resin impregnated borosilicate glass microfiber

Support Structure

Inner 304 Stainless Steel support cylinder with outer polymeric sleeve.

End Caps

Glass filled polyamide material

Initial Differential

Pressure Dry — 1.5 PSID

Initial Differential

Pressure Wet — 2.5 PSID

Flow range — 5 to 4800 SCFM

@ 100 PSIG

Application

Installations as a coalescing prefilter for general purpose protection or as a prefilter to a high efficiency coalescer.

Appearance

White polymeric outer sleeve with black end caps.

* "M" Series Coalescing Filters, with

Type "B" 0.5 micron elements: All Wilkerson Type "M" Oil Removal (Coalescing) Filters with Type "B" 0.5 micron elements **exceed ISO Class 2** for maximum particle size and concentration of solid contaminants, and **exceed Class 3** on maximum oil content (ppm / wt).⁵

Type C Filter Element Specifications

Efficiency

99.99998% when testing with 0.3 micron aerosol on dioctyl phylate (DOP) test according to Federal Standard 209B. Compatible with mineral and synthetic oils.

Residual Oil

0.01 ppm / wt (inlet temperature / pressure 70°F / 100 PSIG) when analyzed using infra red spectrophotometry based on the Pneurop 6611 procedure.

Air Quality Class *

Conforms to ISO 8573, better than Class 1

Flow

Inside to outside

Filter Media

Pure borosilicate glass microfiber with a mean strand diameter of 0.5 micron and a voids volume of 96%. Contains no glues or resins.

Support Structure

Inner and outer 304 Stainless Steel support cylinders.

End Caps

Glass filled polyamide material

Initial Differential

Pressure Dry — 1.25 PSID

Initial Differential

Pressure Wet — 2.25 PSID

Flow range — 5 to 4800 SCFM

Application

Install where highest quality air is required; typically instrumentation, process air, pneumatic gauging, paint spraying, etc.

* "M" Series Coalescing Filters, with

Type "C" 0.01 micron elements: All Wilkerson Type "M" Oil Removal (Coalescing) Filters with Type "C" 0.01 micron elements **exceed ISO Class 1** for maximum particle size and concentration of solid contaminants, and **exceed Class 1** on maximum oil content (ppm / wt).⁵

Type D Filter Element Specifications

Efficiency

Less than 0.003 ppm / wt maximum remaining oil content (inlet temperature / pressure of 70°F / 100 PSIG) when analyzed using infra red spectrophotometry based on the Pneurop 6611 procedure; removal of hydrocarbon vapors and odors.

Air Quality Class *

Conforms to ISO 8573, better than Class 1

Flow

Inside to outside

Filter Media

Snow storm filled activated carbon for optimum packing density and life.

Support Structure

Model M00 - M28: Clear plastic housing with molded plastic end cap. Integral outlet filter.

Model M30 - M55: Inner and outer 304 Stainless Steel support sleeve cylinders

End Caps

Glass filled polyamide material

Initial Differential

Pressure Dry — M00 - M31: 3 PSID
M32 - M55: 1 PSID

Flow range — 5 to 4800 SCFM

Application

Installation after high efficiency coalescer for process air purification, odor removal, removal of trace vapors and for critical applications.

* "M" Series Absorption Filters, with

Type "D" activated carbon elements: All Wilkerson Type "M" Absorption Filters with Type "D" activated carbon elements **exceed ISO Class 1** on maximum oil content (ppm / wt).⁵

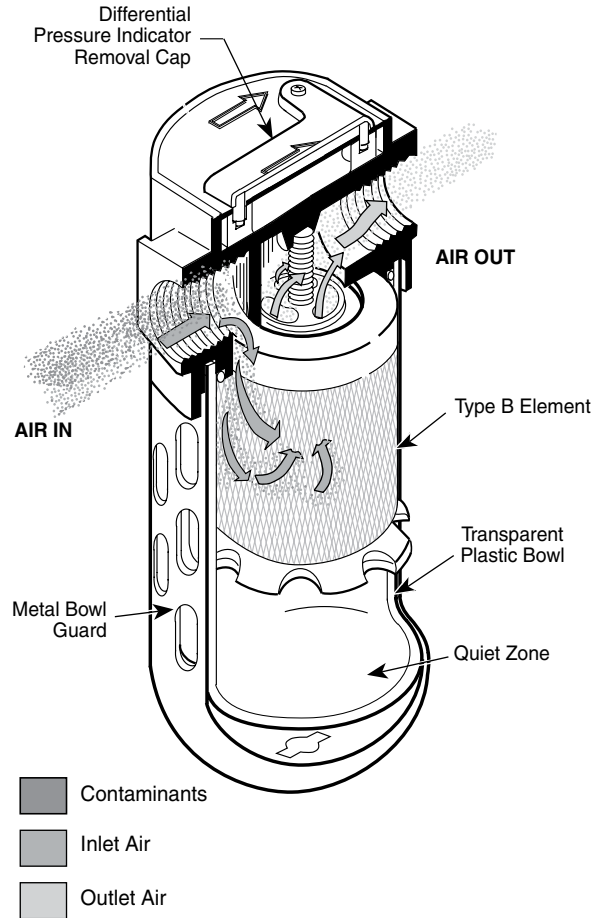
Afterfilters

For the removal of solid particles down to 0.5 micron.

The Afterfilter is designed for use in “dry” systems where it provides efficient removal of desiccant dust and other solid contaminants downstream of various types of desiccant air dryers. These solid contaminants, if not removed, can damage sensitive downstream instruments and critical air controls.

Operation

The inlet air is directed downward and outward in a circular pattern. This action mechanically separates a large amount of gross particles which fall to the bottom of the housing. The air then passes through the filter media bed where a significant number of smaller solid particles and other contaminants are trapped within the filter media.



ISO 8573.1 System Ratings

ISO 8573.1

System Quality Class Rating Applications

1.	3.7.4	Air Tools, Air Motors
2.	1.4.1	Automated Equipment, Robotics, Rough Paintings
3.	1.4.1	Injection Molding, CNC, Electronics
4.	1.2.1 or 1.1.1	Semi-Conductors, Instrumentation
5.	1.2.1 or 1.1.1	Food Processing, Hospital Grade, Breathing Air

Applying condensate management systems, dry air storage and flow controllers.

ISO 8573.1 Quality Class

Quality Class	Solid Contaminants (max. particle size in microns)	Max. Pressure Dew Point °F	Max. Oil Content (droplets, aerosols & vapor) ppm
1	0.1	-94	0.01
2	1	-40	0.1
3	5	-4	1
4	15	37.4	5
5	40	44.6	25
6	—	50	—
7	—	not specified	—

AF Series Afterfilters, with Type “B” 0.5 micron elements: All Wilkerson Type “AF” Afterfilters with 0.5 micron elements **exceed** ISO Class 2 for maximum particle size and concentration of solid contaminants, and **exceed** Class 3 on maximum oil

Filter Types

All filters and filter elements are suitable for use in either compressed air or nitrogen applications.

Wilkerson Types B, B1, and C filters are made of materials acceptable in processing of compressed air as defined by regulations of both the United States and Canadian Departments of Agriculture.

Type A General Purpose Filter

Specifications

Particle removal down to 5.0 microns. Separation of liquid water and aerosols > 95% at rated flows. Separation of bulk liquid only.

Purpose

For removal of solid contaminants and bulk liquids. The Type A can be used alone as a general purpose filter or as a pre-filter for Types B, B1 and C elements to extend their service life.

“F” Series Filters, Type “A” 5 micron elements: All Wilkerson Type “A” 5 micron elements meet or exceed ISO Class 3 for maximum particle size and concentration of solid contaminants.⁵

Type AF Prime Efficiency Filter

Specifications

Solid particle removal down to 0.5 micron. Retention on DOP test > 9911.97%.^{*2} Designed for use in “dry” systems.

Purpose

For removal of desiccant dust and other solid contaminants downstream of Twin Tower or other desiccant air dryers.

“AF” Series Afterfilters, with Type “B” 0.5 micron elements: All Wilkerson Type “AF” Afterfilters with 0.5 micron elements exceed ISO Class 2 for maximum particle size and concentration of solid contaminants, and exceed Class 3 on maximum oil content (ppm / wt).⁵

Type B1 Prime Efficiency Coalescer

Specifications

Particle removal down to 1.0 micron. Maximum downstream remaining oil content 0.5 ppm / wt^{*1}. Retention on DOP test > 99.97%.^{*2} “B1” Prime Efficiency Coalescing Filters meet ISO Class 2 for maximum particle size and exceeds Class 3 for maximum oil content (ppm / wt).⁵

Purpose

For removal of aerosols and solid particles. Is used in coalescing filter models M32 through M55. Can be used alone as a coalescing filter or as a pre-filter to the Type C elements to extend their service life. Usage proves most economical when preceded by a Type A filter.

Type B Prime Efficiency Coalescer

Specifications

Particle removal down to 0.5 micron. Maximum downstream remaining oil content 0.5 ppm / wt^{*1}. Retention on DOP test > 99.97%.^{*2}

Purpose

For removal of aerosols and solid particles. Can be used alone as a coalescing filter or as a pre-filter for the Type C elements to extend their service life. Usage proves most economical when preceded by a Type A filter.

“M” Series Coalescing Filters, with Type “B” 0.5 micron elements: All Wilkerson Type “M” Oil Removal (Coalescing) Filters with Type “B” 0.5 micron elements exceed ISO Class 2 for maximum particle size and concentration of solid contaminants, and exceed Class 3 on maximum oil content (ppm / wt).⁵

Type C Extremely High Efficiency Coalescer

Specifications

Particle removal down to 0.01 micron. Maximum downstream remaining oil content 0.01 ppm / wt^{*1}. Retention on DOP^{*2} and Sodium Flame Test ₃ > 99.9999% (limit of measurability).

Purpose

For removal of extremely fine oil mists, oil aerosols and microscopic particles. The Type C is extremely efficient in the coalescing of remaining oil mists and oil aerosols as well as the retention of solid particles. It is recommended the Type C filter be installed downstream of a Type A and / or Type B or B1. This is very cost effective as it prevents build up of solid contaminants on the Type C element and extends service life.

“M” Series Coalescing Filters, with Type “C” 0.01 micron elements: All Wilkerson Type “M” Oil Removal (Coalescing) Filters with Type “C” 0.01 micron elements exceed ISO Class 1 for maximum particle size and concentration of solid contaminants, and exceed Class 1 on maximum oil content (ppm / wt).⁵

Type D Critical Application Adsorption Filter

Specifications

Activated carbon element for removal of oil vapor and associated odors whether petroleum or synthetic base. Maximum downstream remaining oil content 0.003 ppm / wt.⁵

Purpose

For elimination of oil vapor, oil associated odors whether petroleum or synthetic base. Type D elements utilize selected grades of activated carbon and rely on adsorption to remove oil associated vapor and odors. The Type D Filter should be used as the final filter for critical applications. It should always have a Type C Filter element installed upstream to remove oil aerosols and solids particles.

Note: The Type D element will not remove carbon dioxide, carbon monoxide, ethane, methane or other toxic gases.

“M” Series Adsorption Filters, with Type “D” activated carbon elements: All Wilkerson Type “M” adsorption filters with Type “D” activated carbon elements exceed ISO Class 1 on maximum oil content (ppm / wt).⁵

Applications Notes

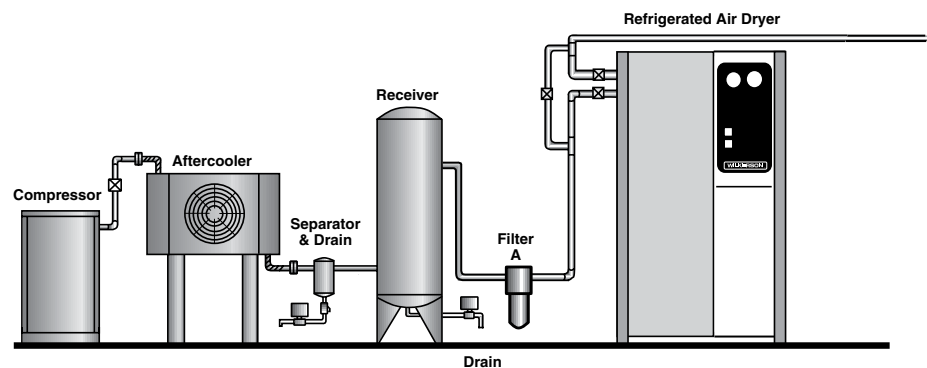
- 1) Based on a compressed air temperature of 7°F (21°C) at 100 PSIG (6,9 bar g) with a typical compressor lubricant using the Pneuop1 Recommended Test Method No. 6611 / 1984 PART 2. For further information contact Wilkerson. 1 mg/m³ is approximately 0.83 ppm / wt. (parts per million by weight).
- 2) Dioctyl phthalate test generates particles with mean diameter of between 0.1 and 0.3 micron (most difficult size to remove) based on USA Federal Standard 209B.
- 3) Sodium Flame Test using particles with a mean diameter of 0.65 micron based on British Standards Institute BS3928.
- 4) Filtration at a high temperature, although possible, increases the risk of gaseous contaminants condensing downstream. At temperatures above 122°F (50°C), the amount of water and oil vapor increases significantly and is more difficult and costly to remove.
- 5) All classes above refer to international standards organization (ISO) standard 8573-1, pertaining to maximum particle size and concentration of solid contaminants, and maximum oil content.

When Making Your Selection

- 1) Generally, install filters downstream of aftercoolers / separators and air receivers at the lowest temperature point and as close to the point of application as possible. This reduces the chance of additional water and oil vapor condensing after the filter.
- 2) Filters should not be installed downstream of quick opening valves and should be protected from possible reverse flow or other shock conditions.
- 3) It may be necessary to install a combination of mainline filtration near the compressor installation before entry to the main air distribution system as well as installing terminal filtration at the critical application points.
Remember, especially in existing installations, the contamination already in the pipe system downstream of the filters will take a long time to disappear and probably never will completely.
- 4) Purge all lines leading from the filters to the final application to be protected.
- 5) Install filters in a vertical position ensuring that there is sufficient room below the filters to facilitate element change.
- 6) Provide a facility to drain away collected liquids from the filter drains via properly sized tubing, taking care there are no restrictions in the drain line.
- 7) Install Wilkerson differential pressure gauge or pop-up indicator to monitor the pressure drop across the filters. This will provide an easy way of visually monitoring the filter element condition, indicating when to replace the element.
If you have a problem on filter selection or installation, please contact your local Wilkerson stocking distributor. Wilkerson and their representatives will be pleased to help you in selecting the proper installation for your application requirements.
- 8) For piping convenience and to minimize air system disruptions, we recommend piping the system with by-pass circuits and isolation valves.

General Purpose Protection

- General Compressed Air System Protection
- Liquid and Solid - Bulk Contamination Removal
- Particle Removal in “Dry” Systems
- Large Pneumatic Tools
- Shot-blasting Air
- Low Cost Automation—cylinders and valves
- Pre-Filtration for Refrigeration Air Dryers
- Pre-Filtration to High Efficiency Dryers
- Pre-Filtration to Adsorption Air Dryers in “Oil-Free” Systems
- Pre-Filtration to Air Sterilization Filters in “Oil-Free” Systems
- High Speed and / or Miniature Pneumatic Tools
- Air Gauging
- Air Conveying
- Air Motors
- Pipeline Purging
- Pre-Filtration to Adsorption Air Dryers in Oil Contaminated Systems
- Pre-Filtration to Air Sterilization Filters in Oil Contaminated Systems

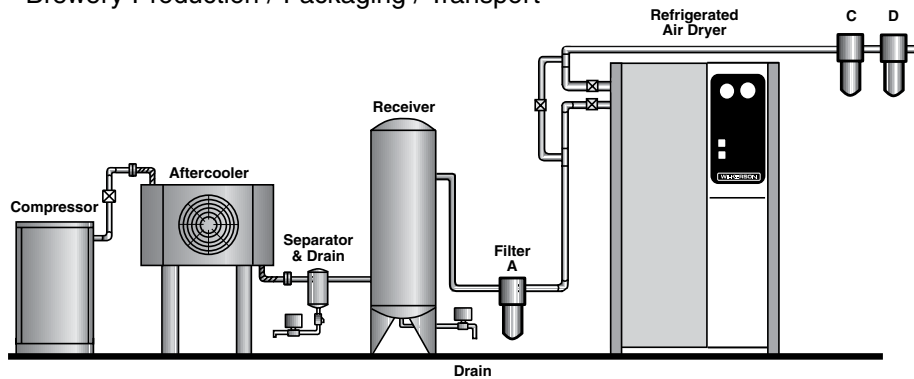




Critical Applications — Clean and “Oil-Free”

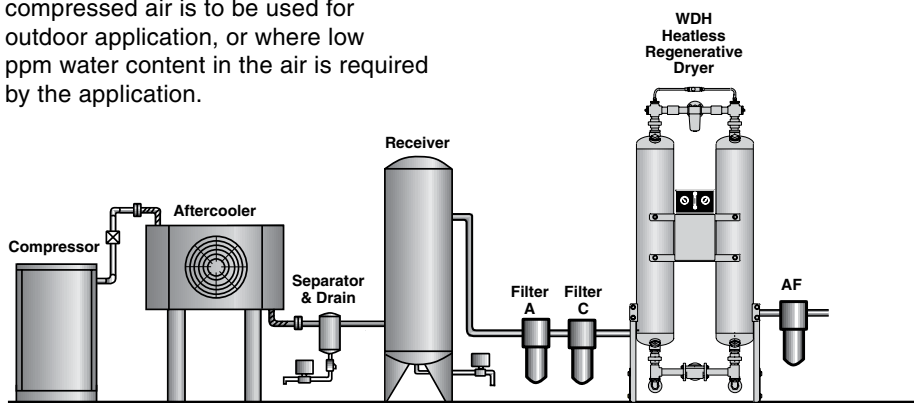
Where dew point is not required to be less than 36-40°F (2.2-4.4°C). Ambient temperature should not be below 45°F (7.2°C). For example, interior of factories.

- Highest Quality - Clean, Oil and Odor Free Air
- Blow Molding of Plastic e.g. P.E.T. Bottles
- Film Processing
- Critical Instrumentation
- Advanced Pneumatics
- Air-Blast Circuit Breakers
- Decompression Chambers
- Cosmetic Production
- Foodstuffs Production / Packaging
- Pharmaceutical Production
- Dairy Production / Packaging / Transport
- Brewery Production / Packaging / Transport
- Robotics
- Air Logic
- Instrumentation
- Air Bearings
- Spray Painting
- Temperature Control Systems



Extremely Low Dew Point System

Where dew point must be below 32°F (0°C). For example, indoor factory installation of dryer, but where compressed air is to be used for outdoor application, or where low ppm water content in the air is required by the application.



When Making Your Selection

Always try to obtain as much information as possible including flow rates, inlet pressure, temperature and pipe size.

Select filtration air quality required to the application to be protected. Remember, it is better to over-specify than not provide enough protection.

Select size of filters by flow rate and inlet pressure at the point of filtration. Also keep in mind pressure drop, if this is critical it may be advisable to oversize the filters. Generally, for operating costs, it is best never to undersize filters. The higher pressure drop caused by undersizing actually increases system operating cost.

Be careful to consider working pressure drops. Although all filters start dry, in time they become wetted with liquid (a normal condition) and this increases pressure drop. Select filters for the highest flow rate and lowest working pressure they will operate under.

Check the pipe size of the installation. If possible, match pipe sizes. This may involve increasing the size of the filter. Never reduce the pipe size of the installation to match the filter. The restriction caused by this is expensive in terms of pressure drop and operating costs and is ongoing. Increasing the size of the filter on the other hand reduces pressure drop and increases the time between element changes. This more than offsets the initial higher costs.

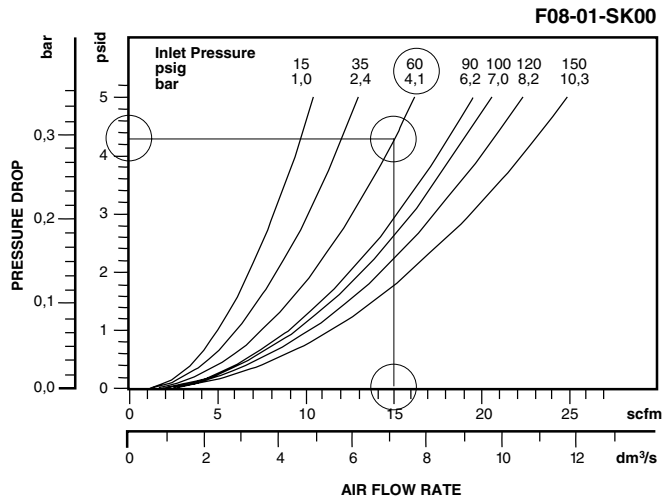
How You Read Flow Charts

Using Filter Graphs

- 1) From the graph select one of the inlet pressure curves to be used. 35 PSIG, 60 PSIG, etc.
- 2) Decide upon the air flow rate requirement for this application. (Refer to the horizontal air flow rate scale located at the bottom of the graph.)
- 3) To find the initial pressure drop draw a vertical line from the flow rate selected to a point where it crosses the inlet pressure curve. From this intersection draw a horizontal line to where it intersects the vertical pressure drop scale.

EXAMPLE:

At 15 SCFM flow rate and 60 PSIG inlet pressure, pressure drop is about 4.3 PSID.



Using Regulator Graphs

NOTE: Regulator graphs are based upon an inlet pressure of 100 PSIG.

Maximum flow capacity is measured at a point that is 75% of the initial secondary pressure setting. * (NFPA)

EXAMPLE:

Inlet Pressure = 100 PSIG,

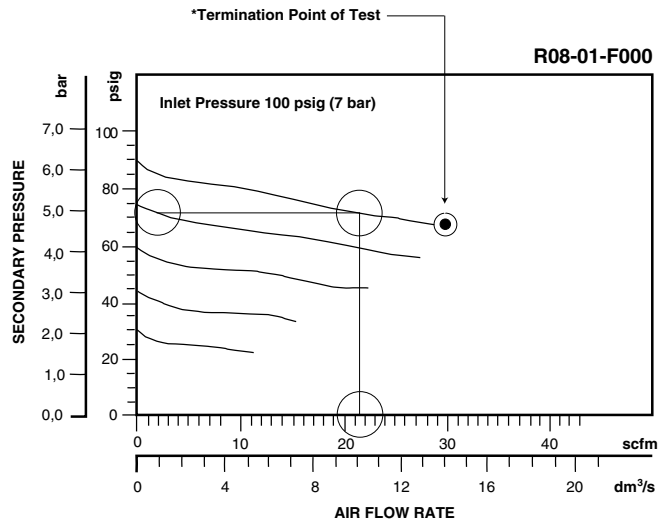
Secondary Pressure @ 0 SCFM = 90 PSIG,

Secondary Pressure @ 21.5 SCFM = 75 PSIG,

Pressure Drop @ 21.5 SCFM = 15 PSID.

- 1) Using a graph selected by product family and pipe size pick the secondary pressure curve that fits
- 2) Determine the air flow rate required from the air flow rate scale located at the bottom of the graph.
- 3) To find the pressure drop for this regulator draw a vertical line from the air flow rate selected to a point where it crosses the secondary pressure curve. From this intersection draw a horizontal line to where it intersects the vertical secondary pressure line. This is the secondary pressure at the flow rate selected to determine full pressure drop. Subtract this pressure from the original secondary pressure used.

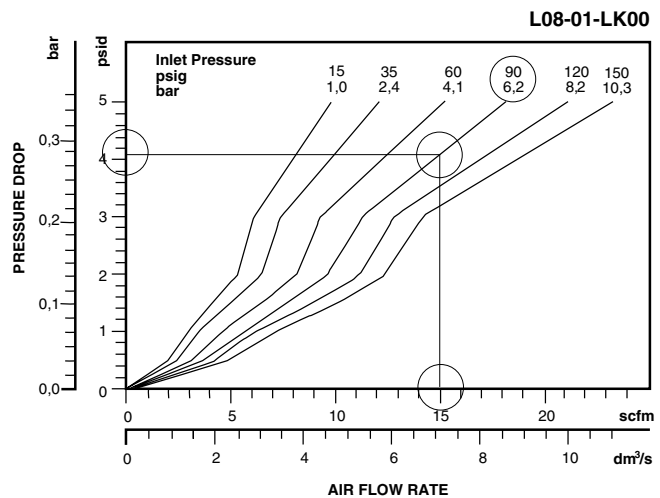
The Difference = Pressure Drop



Using Lubricator Graphs

- 1) From the graph select one of the inlet pressure curves to be used. 35 PSIG, 60 PSIG, etc.
- 2) Decide the air flow rate requirement for this application. (Refer to horizontal air flow rate scale located at the bottom of the graph.)
- 3) To determine pressure drop draw a vertical line from the flow rate selected to the point where it crosses the inlet pressure curve used. From this intersection draw a horizontal line to where it intersects the vertical pressure drop scale.

NOTE: Pressure drop value should not be less than 0.8 PSID.



Regulators

General Purpose

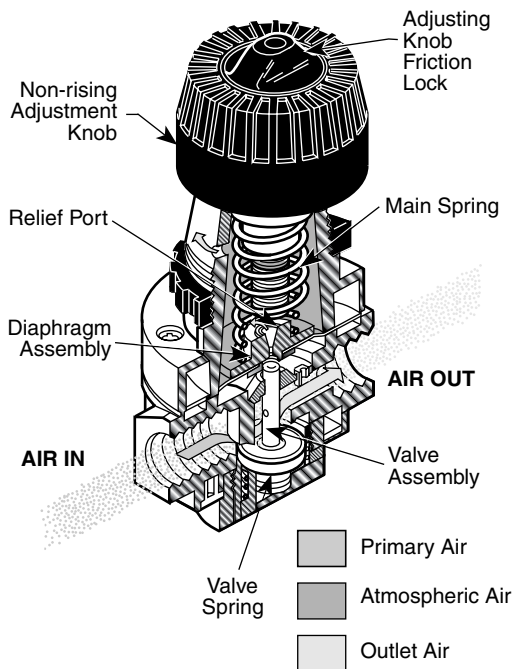
Used to provide a convenient and low cost method to reduce a supplied air pressure to a desired outlet pressure and transform a fluctuating air supply to a relatively constant reduced air pressure within the operating range of the regulator.

This type of regulator is generally used in a wide variety of applications where reduced pressure is highly desirable for energy conservation, safety requirements, air circuit control and air instrumentation.

Operation

Turning the adjusting knob clockwise forces the main spring downward onto the flexible diaphragm which presses down onto the valve stem. The diaphragm and valve stem move downward forcing the balanced valve off its seat, which allows air to flow past the valve to the outlet side of the regulator and downstream to the air system. A precisely positioned aspirator tube communicates secondary pressure to the diaphragm resulting in instant compensation in order to maintain the desired secondary set pressure.

The diaphragm, valve stem and valve move upward, compressing the regulating main spring. Upward movement stops when the spring force acting on the diaphragm balances the pressure force acting below the diaphragm. For best performance, regulated pressure should always be set by increasing the pressure up to the desired setting.



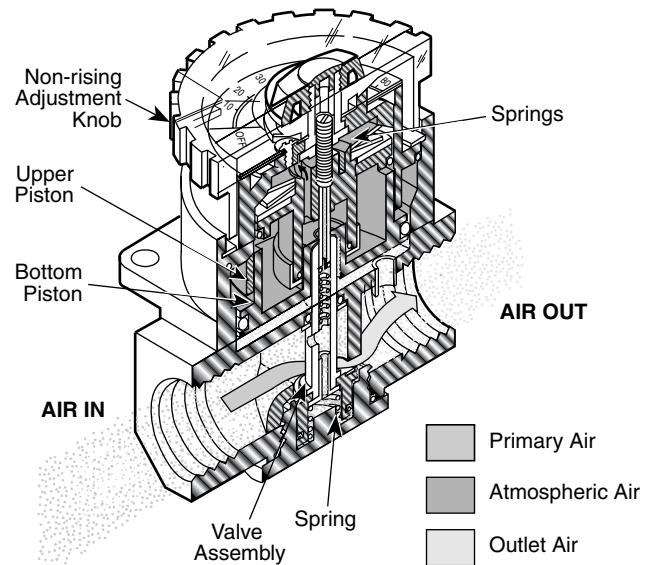
Dial-Air™ Pilot

The Dial-Air™ Pilot is a constant bleed, piston operated regulator. The pilot controlled pressure reducing valve provides exceptionally high air flow with steady pressure control and minimal secondary pressure drop. The non-rising adjustment knob provides quick selection of the desired secondary pressure in less than one full turn. The adjustment knob also can serve as the pressure indicator thereby eliminating the need for a pressure gauge.

This regulator is specifically designed for applications requiring more accurate air circuit control, high air flow capacity with flat performance curves and quick regulator adjustment. The regulator can be used as a conventional regulator for standard air circuits or as a pilot regulator to provide pressure to the control chamber of a pilot operated (slave) regulator.

Operation

To set the regulator, turn the large dial adjustment knob to the desired secondary set pressure. This opens the pilot valve seat allowing air flow into the control chamber which forces the lower piston downward against the relief seat and opens the main valve. At the same time, the air in the control chamber forces the upper piston upward against Belleville springs which closes the pilot valve seat when the set pressure is attained. Secondary pressure in the chamber is now balanced against the control pressure through the lower piston. If demand flow increases, the constant control pressure will force the lower piston and the main valve further downward, and allow more flow downstream. A higher than desired secondary pressure will force the lower piston upward, closing the main valve seat and opening the main relief valve seat thereby allowing air to relieve to the atmosphere. For best performance, regulated pressure should always be set by increasing the pressure up to the desired setting.



Regulators

Precision Regulator

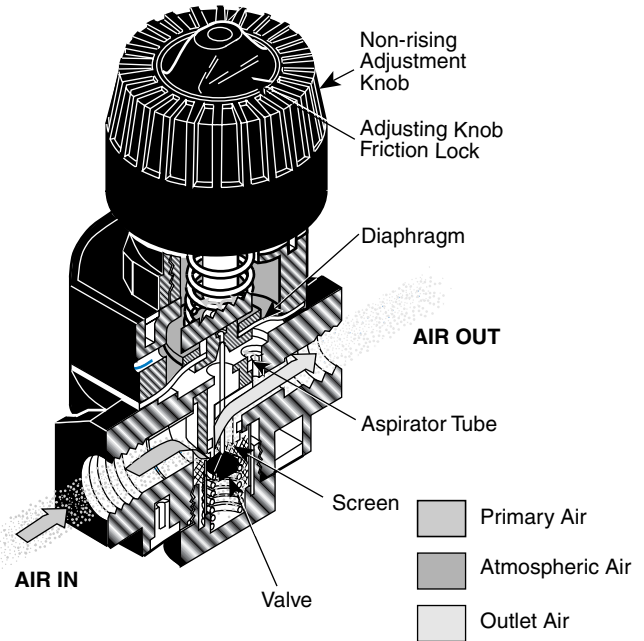
For use in applications that require reliable performance and accurate pressure control. This type of regulator is generally used for material handling systems, flow and temperature controllers, critical air control circuits, medical and scientific test equipment, and valve positioners.

Operation

Set the desired secondary pressure by turning the adjustment knob clockwise. This action increases the regulating spring force against the top of the diaphragm disc. When the spring force above exceeds the air pressure beneath the diaphragm, it is transmitted by the valve stem and opens the valve. Airflow through the regulator now occurs.

A precisely designed and positioned aspirator tube constantly transmits the secondary pressure to the under side of the diaphragm so that during flow conditions any pressure loss can be quickly compensated for. When flow is no longer required, the outlet pressure increases slightly, allowing the diaphragm to rise, the valve to close, and set pressure to be maintained.

On self-relieving models, if outlet pressure should increase above the set pressure, the diaphragm will rise therefore opening the relief seal between the diaphragm and the valve. The excess outlet pressure is then vented through the diaphragm orifice into the bonnet and subsequently to the atmosphere through an orifice in the bonnet. For best performance, regulated pressure should always be set by increasing the pressure to the desired setting.



Lubricators

EconOmist™

The EconOmist™ lubricators inject an oil aerosol into the flowing air stream to automatically provide the proper amount of internal lubrication to air operated tools or other pneumatic devices.

Operation

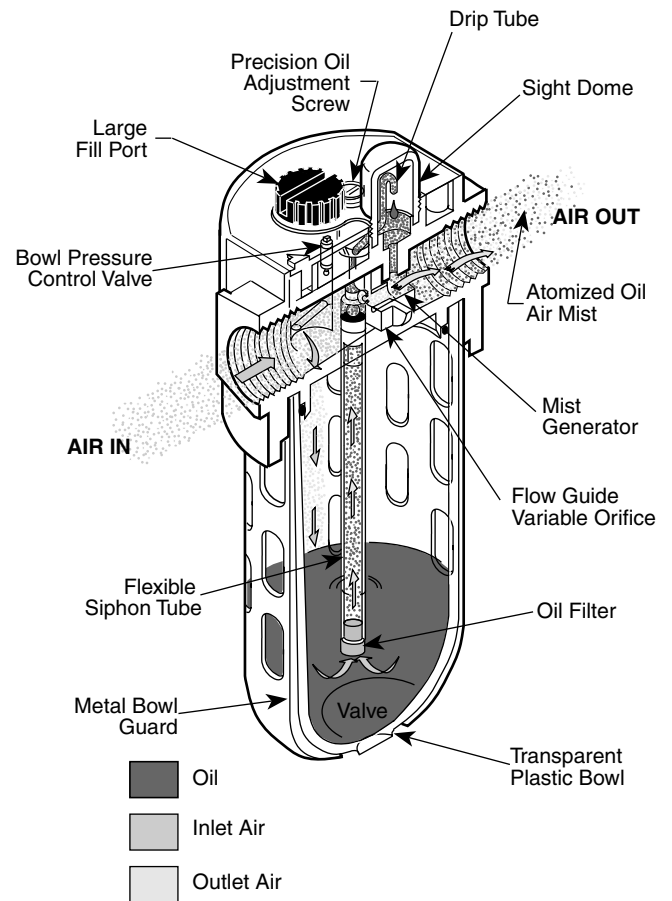
For proper operation there must be line pressure in the reservoir bowl. As the air flows through the lubricator, some of the incoming air passes through the bowl pressure control valve that then pressurizes the bowl pushing oil upward through the siphon tube. Most of the air flow passes through the self-adjusting Flow-Guide® flow sensor in the lubricator throat creating a slight pressure drop that is proportional to the rate of air flow. The pressure drop is sensed by the sight dome and across the adjustment needle valve allowing oil to flow upward through the siphon tube into the sight dome where it drips into a nozzle passage and then into the lubricator throat.

The precise amount of oil to be delivered to the air stream is determined by the oil adjusting needle valve that sets the exact drip rate.

The oil drops are atomized by the high velocity air flowing through the lubricator. All of the drops visible in the sight dome are delivered downstream to the air devices.

The self-adjusting flow sensor automatically maintains a constant oil-to-air ratio by opening and closing in response to a wide range of changing air flows. A check valve keeps the siphon tube full of oil during periods of no flow and prevents oil carry-over due to the possibility of reverse flow.

The pressurizing valve controls the rate of bowl pressurization and allows depressurization for refilling the unit without shutting off the supply air. When the oil fill plug is loosened, a spring loaded, normally closed 2-way valve closes, allowing the air pressure in the bowl to be gradually reduced. When the fill plug is replaced, the bowl repressurizes through the pressure control valve. Upon initial use, or if unit has been run dry, open oil adjustment wide open until no air bubbles are visible in sight dome. Then, reset oil feed adjustment to desired setting.



Lubricators

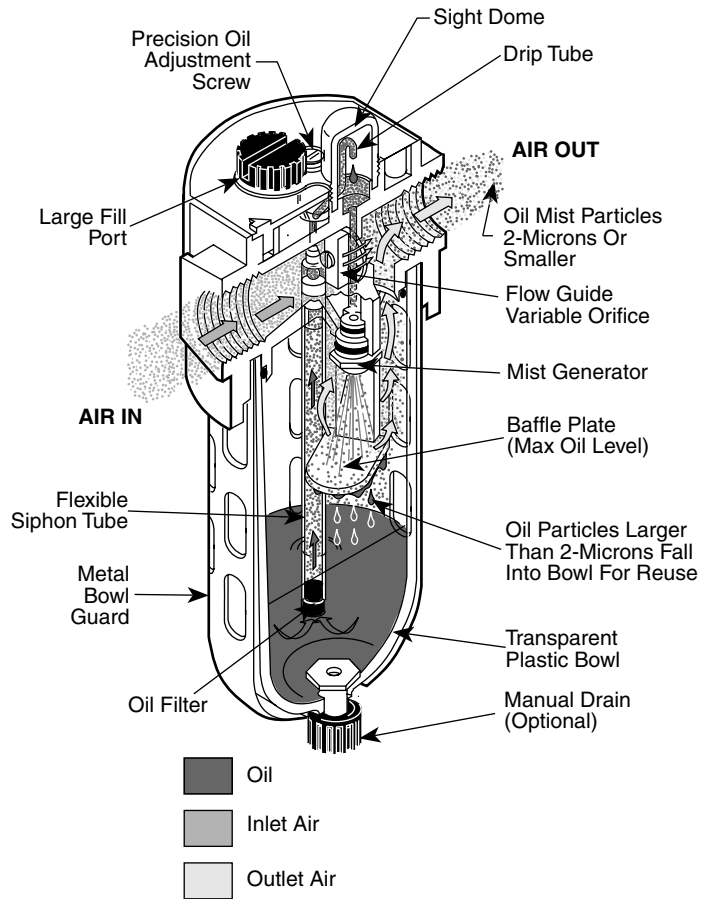
AtoMist™

The AtoMist™ lubricators inject a micro-mist of oil into the flowing air stream to automatically provide the correct amount of internal lubrication for air tools and other pneumatic devices. This type of lubricator can be precisely adjusted to a very low oil flow rate because only a portion of the oil drops seen in the sight dome goes downstream. The lubricator should be used where only a very minute amount of lubricant is desirable or where it is necessary for the oil to remain in suspension in the air stream for long distances.

Lubricating oil is injected into the mist generator by allowing a portion of the incoming air to bypass the mist generator and enter the bowl, where it forces the oil up the siphon tube. The oil then passes the adjustment screw, which meters the amount of oil that can flow to the drip tube and down into the mist generator. The oil droplets and air are then sprayed onto the generator baffle where the oil drops are atomized. The larger oil particles are baffled out and fall into the bowl to be reused.

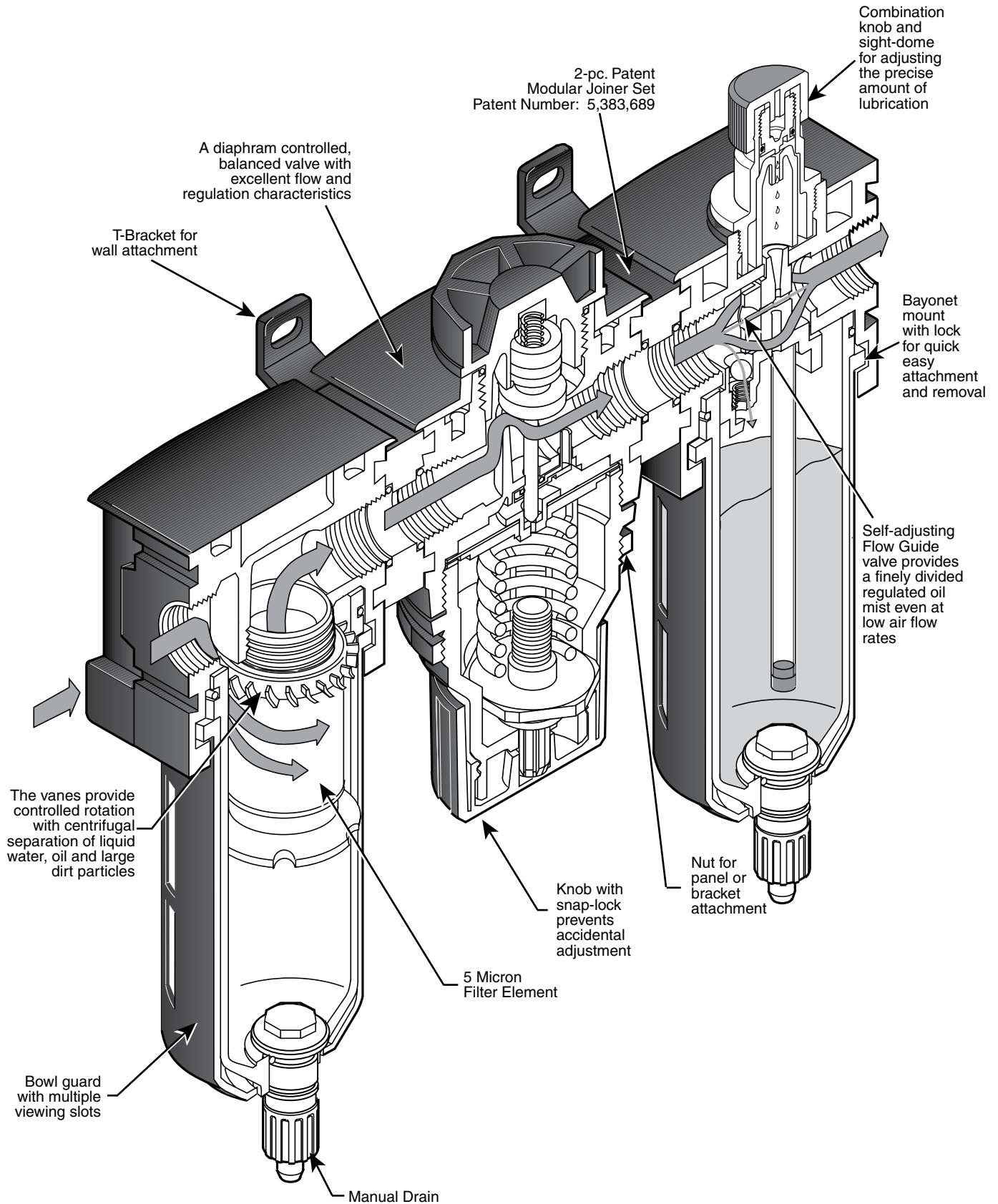
The very fine oil aerosol particles remain airborne and are swept into the lubricator outlet by the airflow, where they are carried downstream. Only a small amount of the oil drops visible in the sight dome are delivered downstream. Generally, micro-mist lubricators convert about 3% of the liquid oil “atomized” particles 2 microns or smaller in size.

Once the oil-to-air density ratio has been established and the drip rate adjustment set, the proportional control of the patented Flow-Guide® variable orifice permits varying volumes of air to pass through the lubricator while maintaining the oil-to-air ratio balance. AtoMist™ lubricators cannot be filled manually without turning off and venting the air pressure from the bowl. The height of the oil level in the bowl is critical and cannot be allowed higher than the baffle plate.

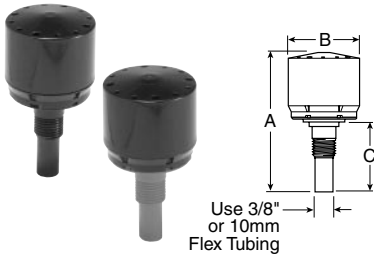


18 / 28 Series FRL Modular Combination

A

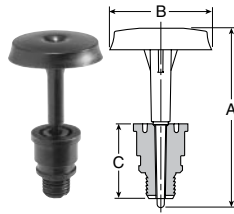


Automatic Mechanical Drains



Automatic Drain

(Nitrile and Fluorocarbon Versions)
 Operating Range
 15 to 250 PSIG (1 to 17 bar)



Automatic Piston Drain

(08 Series as shown)
 Works with cyclical
 operation of air system.



Automatic Piston Drains (used in F03, F08, M03, M08, B03 and B08 filter units)

Air enters bowl, and pressure equalizes above and below piston. The piston has differential areas above and below, with the top area being larger. This gives a slight downward force, holding the drain orifice closed, as long as air pressure is constant. System fluctuations, such as an increased demand for air downstream, causes the pressure above the piston to drop slightly. Now the trapped air below the piston is a higher pressure, and thus pushes the piston up, opening the orifice, and causing the system pressure to expel to atmosphere any accumulated liquids. The sudden drop of pressure below the piston now causes the system pressure to quickly push the piston down, closing the drain, and resetting the piston for the next cycle. It is important to note that this type of drain requires periodic fluctuations in system pressure in order to operate; in a system where the pressure is constant, the drain piston will never cycle.

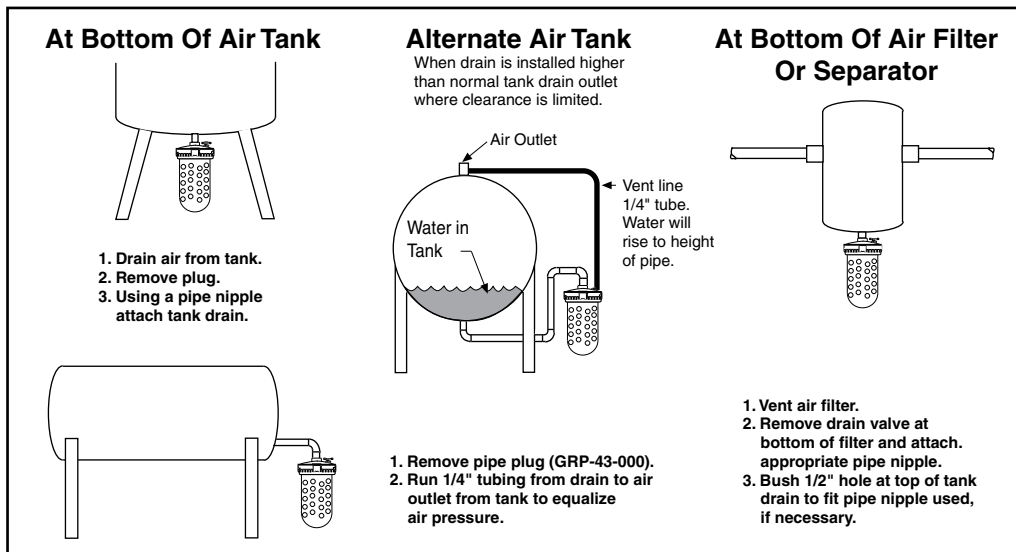
Wilkerson automatic mechanical drains are designed to remove liquid oil and water contaminants from compressed air systems automatically. They eliminate the necessity of someone having to drain accumulated liquids from filters, separators, receivers, etc. on a daily basis. Instead, only regular, periodic maintenance and cleaning is needed. Typically, once a month the drain should be removed from the housing and cleaned in warm, soapy water (no solvents).

Operation

Automatic Mechanical Drains

Liquid contaminants collected in the bowl cause the float mechanism to rise. When the liquid reaches a specific level, the float triggers a mechanism which pilots system pressure against a large-area piston, driving the piston down. The piston opens the drain orifice, causing the system pressure to evacuate the liquid contaminants. As the liquid level falls, the pilot valve closes, system pressure against the piston exhausts to atmosphere, and the drain valve snaps closed, ready to repeat the cycle. At least once a month, the drain should be removed from service, and cleaned with warm, soapy water to ensure continued reliable operation.

Typical Installations



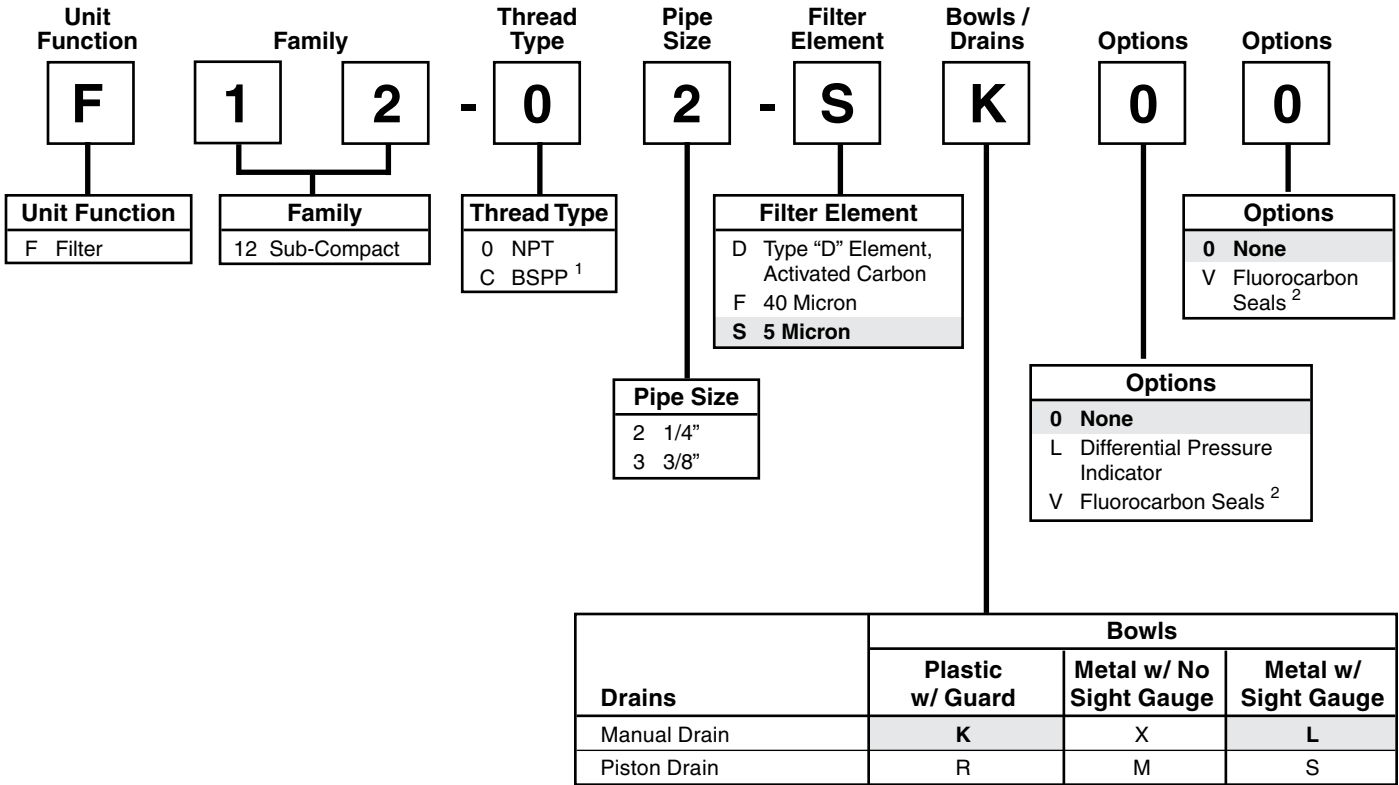


Modular Compressed Air Treatment Products

Particulate Filters	2	Common P1 Regulators	41	Combinations – 2-Unit	72
F08	4	R09	42	D08	74
F12	6	R19	44	D12	76
F18	8	Lubricators	46	D18	78
F28	10	L08.....	48	D28	80
F39	12	L12.....	50	D39	82
Coalescing Filters	14	L18.....	52	Combinations – 3-Unit	84
M08.....	16	L28.....	54	C08	86
M12.....	18	L39.....	56	C12	88
M18.....	20	Filter / Regulators	58	C18	90
M28.....	22	B08	60	C28	92
M39.....	24	B12	62	C39	94
Regulators	26	T12	64		
R08	28	B18	66		
R12	30	B28	68		
H12	32	B39	70		
R18.....	34				
R28	36				
R39	38				

Particulate Filter Numbering System (12 Series)

 = "Most Popular"



¹ ISO, R228 (G Series).

² Fluorocarbon seals available only on units with metal bowl with manual drain.

Type "A" 5 micron elements: All Wilkerson Type "A" 5 micron elements meet or exceed ISO Class 3 for maximum particle size and concentration of solid contaminants.

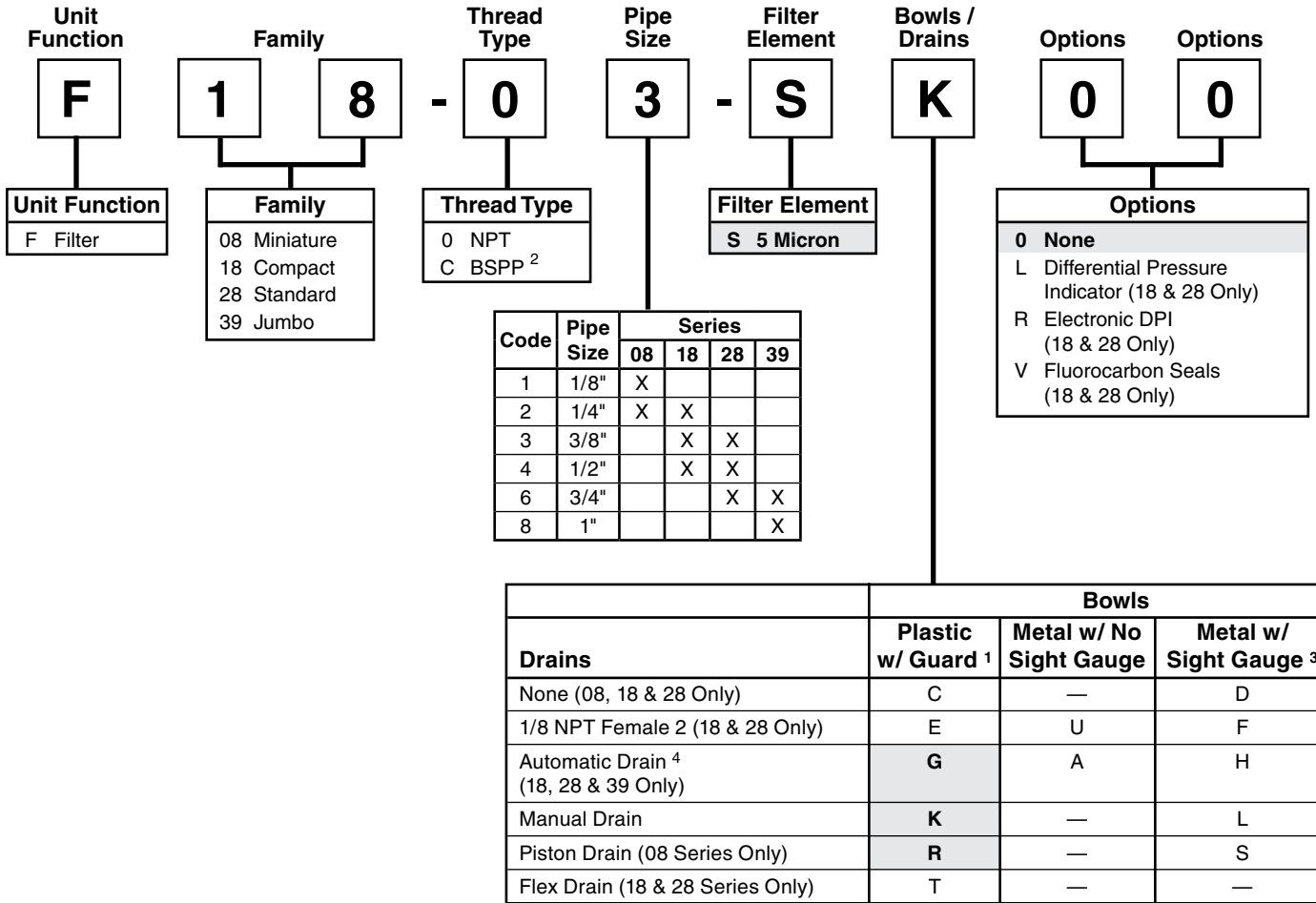
Type "D" activated carbon elements: All Wilkerson Type "F12" absorption filters with Type "D" activated carbon elements exceed ISO Class 1 on maximum oil content (ppm/wt).

NOTE: All classes above refer to International Standards Organization (ISO) standard 8573-1, pertaining to maximum particle size and concentration of solid contaminants, and maximum oil content.

Note: When selecting from the options columns, please enter letters in alphabetical order for positions 7, 8, and 9. For example:

F 1 2 - 0 2 - S K 0 0

Particulate Filter Numbering System = "Most Popular"



B

¹ Not available on 39 Series.

² ISO, R228 (G Series).

³ F08 Filter has an all Metal Bowl (No Sight Gauge).

⁴ Operating Range 15 to 250 PSIG (1 to 17 bar).

Note: When selecting from the options columns, please enter letters in alphabetical order for positions 7, 8, and 9. For example:

F 1 8 - 0 3 - S K 0 0

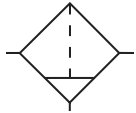
"F" Series Filters, Type "A" 5 micron elements: All Wilkerson Type "A" 5 micron elements **meet or exceed ISO Class 3** for maximum particle size and concentration of solid contaminants.

NOTE: All classes above refer to International Standards Organization (ISO) standard 8573-1, pertaining to maximum particle size and concentration of solid contaminants, and maximum oil content.

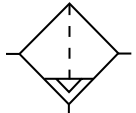
Particulate Filter

= "Most Popular"

F08



Manual Drain



Auto Drain



F08-01-SK00

Features

- Standard 5 Micron Filtration
- Quick-disconnect Bowl
- Bowl Guard
- High Flow Capacity

Specifications

Flow Capacity*	1/8	25.0 SCFM (11.8 dm ³ /s)
	1/4	50.0 SCFM (23.5 dm ³ /s)
Maximum Supply Pressure	Plastic Bowl	150 PSIG (10.3 bar)
	Metal Bowl	250 PSIG (17.2 bar)
Operating Temperature	Plastic Bowl	32° to 125°F (0° to 52°C)
	Metal Bowl	32° to 150°F (0° to 65.5°C)
Port Size	NPT / BSPP-G	1/8, 1/4
Standard Filtration	Micron	5
Useful Retention**	oz. (cm ³)	.4 (12)
Weight	lb. (kg)	.42 (0.2)

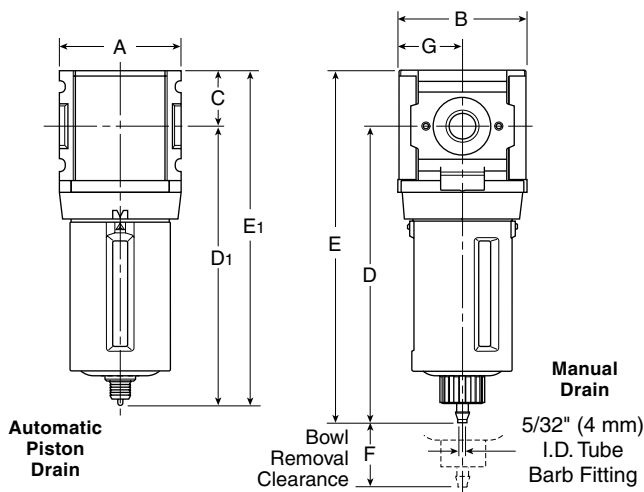
* Inlet pressure 150 PSIG (10.3 bar). Pressure drop 5 PSID (0.3 bar).

** Useful retention refers to volume below the quiet zone baffle.

"F" Series Filters, Type "A" 5 micron elements: All Wilkerson Type "A" 5 micron elements **meet or exceed ISO Class 3** for maximum particle size and concentration of solid contaminants.

Materials of Construction

Baffle	Acetal	
Body	Zinc	
Body Cap	ABS	
Bowl	Plastic Bowl	Polycarbonate
	Metal Bowl	Zinc
Bowl Guard	Nylon	
Element Retainer	Acetal	
Filter Element	Sintered Polyethylene	
Seals	Plastic Bowl	Nitrile
	Metal Bowl	Nitrile



Dimensions

Models	Inches (mm)	A	B	C	D	D ₁	E	E ₁	F	G
Standard Unit F08-XX-SK00		1.58 (40)	1.68 (43)	.72 (18)	3.86 (98)	—	4.58 (116)	—	1.31 (33)	.84 (21)
Automatic Piston Drain F08-XX-SR00		1.58 (40)	1.68 (43)	.72 (18)	—	3.64 (93)	—	4.36 (111)	1.31 (33)	.84 (21)

 = "Most Popular"

Replacement Bowl Kits

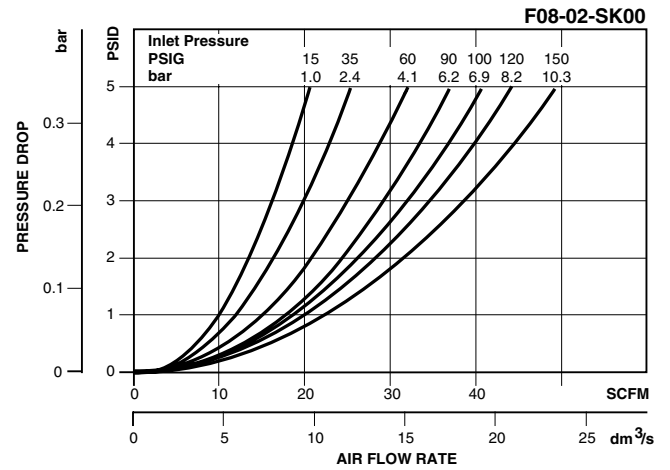
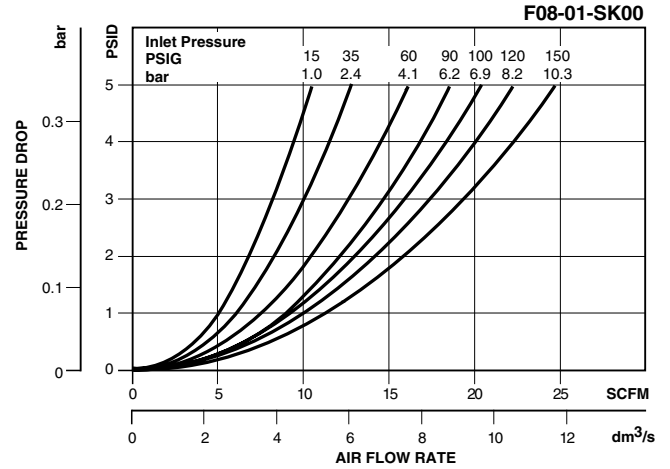
- Metal Bowl, Manual Drain.....GRP-96-714
- Plastic Bowl / Bowl Guard, Manual Drain.....GRP-96-712

Replacement Element Kit

- Type "A", 5 MicronFRP-96-729

Accessories

- Automatic Piston DrainGRP-96-716
- Wall Mounting Bracket –
- C-TypeGPA-97-010
- T-TypeGPA-96-737



Ordering Information

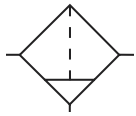
Model Type	Port Size	Plastic Bowl / Bowl Guard	Metal Bowl (No Sight Gauge)
Manual Drain	1/8	F08-01-SK00	F08-01-SL00
	1/4	F08-02-SK00	F08-02-SL00
Automatic Piston Drain	1/8	F08-01-SR00	F08-01-SS00
	1/4	F08-02-SR00	F08-02-SS00

Options - To order an option supplied with the unit model, add the appropriate coded suffix letter in the designated position of the model number.

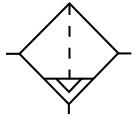
B

Particulate Filter

F12



Manual Drain



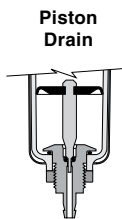
Auto Drain



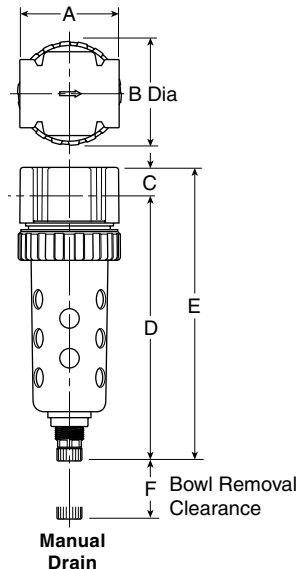
F12-02-SK00

Features

- Excellent Water Removal Efficiency
- Unique Deflector Plate and Shroud Creates a Swirling of the Air Stream Ensuring Maximum Water and Dirt Separation
- Large Filter Element Surface Guarantees Low Pressure Drop and Increased Element Life
- 5 Micron Standard and Activated Carbon Element Available



NOTE: Barb (Piston Drain) accepts 3/16" ID tubing.



Dimensions

Models	Inches (mm)	A	B	C	D [†]	E [†]	F
Standard Unit F12-XX-SK00		2.00 (51)	2.06 (52)	.56 (14)	5.35 (136)	5.91 (150)	2.25 (57)

[†] With Manual or Piston Drain

= "Most Popular"

Specifications

High Flow Capacity*	Port Size	5 Micron	
	1/4	50 SCFM	
	3/8	58 SCFM	
Maximum Supply Pressure	Without DPI	Plastic Bowl	150 PSIG (10.3 bar)
		Metal Bowl	250 PSIG (17.2 bar)
	With DPI	With Piston Drain	150 PSIG (10.3 bar)
		With Piston Drain	150 PSIG (10.3 bar)
Operating Temperature	Without DPI	Plastic Bowl	32° to 125°F (0° to 52°C)
		Metal Bowl	32° to 175°F (0° to 80°C)
	With DPI	With Piston Drain	32° to 125°F (0° to 52°C)
		With Piston Drain	32° to 125°F (0° to 52°C)
Port Size	NPT / BSPP-G	1/4, 3/8	
Standard Filtration	Micron	5	
Useful Retention **	oz. (cc)	.9 (26.6)	
Weight	lb. (kg)	1.2 (0.54)	

* Inlet pressure 90 PSIG (6.2 bar) and 5 PSID (0.3 bar) pressure drop.

** Useful Retention refers to volume below the quiet zone baffle.

Materials of Construction

Body	Zinc	
Bowls	Plastic Bowl	Polycarbonate
	Metal Bowl	Zinc
Drain	Plastic	
Element Holder	Acetal	
Filter Element	Micron	Plastic
	Adsorber	Activated Charcoal
Seals	Nitrile	
Sight Gauge DPI	Polyamide (Nylon)	

 = "Most Popular"

Replacement Bowl Kits

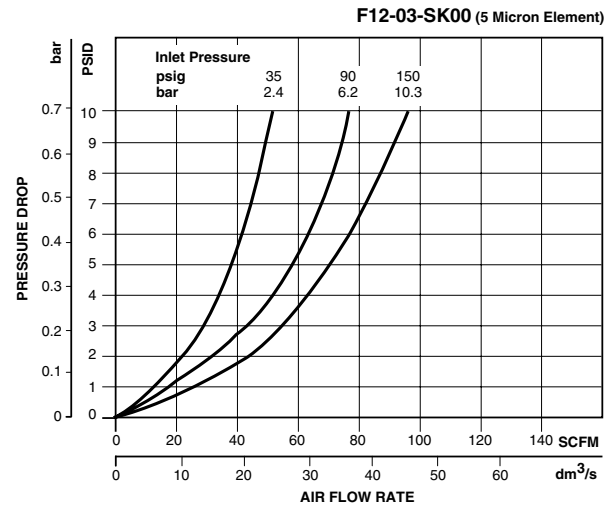
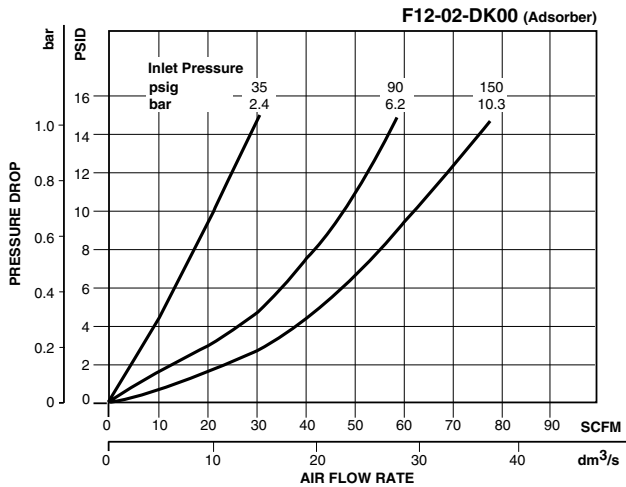
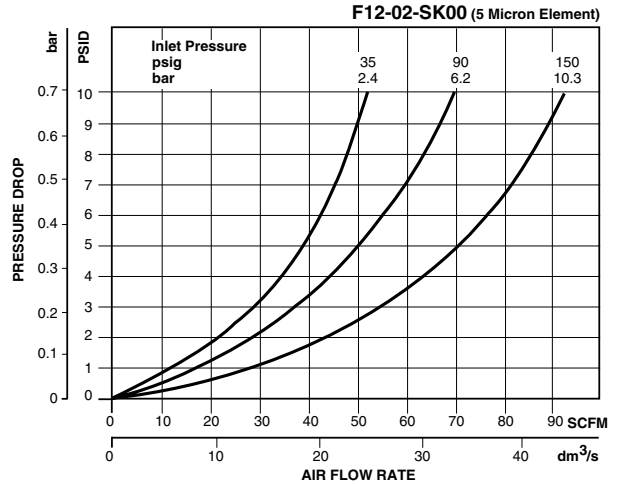
- Metal Bowl Guard GRP-96-345
- Metal Bowl –
 - Manual Drain GRP-96-348
 - Piston Drain GRP-96-353
 - Sight Gauge / Manual Drain GRP-96-349
 - Sight Gauge / Piston Drain GRP-96-352
- Plastic Bowl –
 - Manual Drain GRP-96-347
 - Piston Drain GRP-96-351

Replacement Element Kits

- Adsorber (Activated Carbon) FRP-96-301
- 5 Micron GRP-96-344
- 40 Micron GRP-96-343

Accessories & Repair Kits

- DPI Replacement Kit FRP-96-300
- Drain Kit –
 - Manual Drain GRP-96-340
 - Piston Drain GRP-96-354
- Mounting Bracket Kit GPA-96-300
- Sight Gauge Kit GRP-96-346



Ordering Information

Model Type	Port Size	Plastic Bowl / Bowl Guard	Metal Bowl (No Sight Gauge)
Manual Drain	1/4	F12-02-SK00	F12-02-SL00
	3/8	F12-03-SK00	F12-03-SL00
Automatic Piston Drain	1/4	F12-02-SR00	F12-02-SS00
	3/8	F12-03-SR00	F12-03-SS00

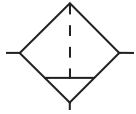
Options - To order an option supplied with the unit model, add the appropriate coded suffix letter in the designated position of the model number.



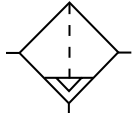
Particulate Filter

= "Most Popular"

F18



Manual Drain



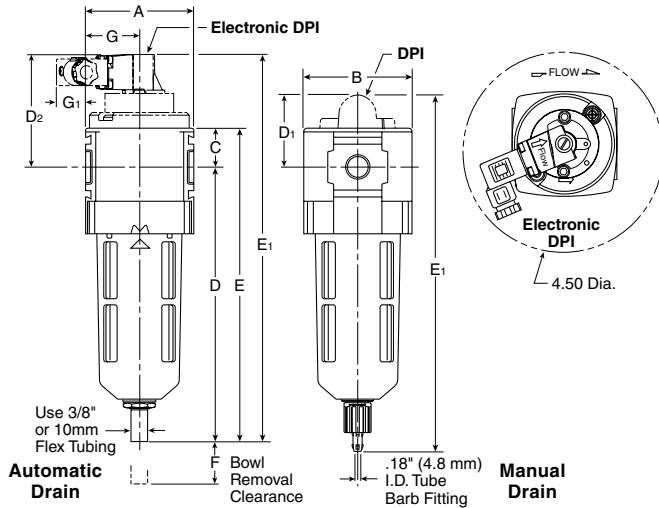
Auto Drain



F18-02-SK00

Features

- Standard 5 Micron Filtration
- High Flow Capacities
- 1/2" NPT / BSPP-G Over-port
- Quick-disconnect Bowl
- Bowl Guard
- Light Weight
- Barbed Manual Drain Connection with Pipe-away



Specifications

Flow Capacity*	1/4	110 SCFM (51.9 dm ³ /s)
	3/8	120 SCFM (56.6 dm ³ /s)
	1/2	145 SCFM (68.4 dm ³ /s)
Maximum Supply Pressure	Plastic Bowl	150 PSIG (10.3 bar)
	Metal Bowl	250 PSIG (17.2 bar)
Operating Temperature	Plastic Bowl	32° to 125°F (0° to 52°C)
	Metal Bowl	32° to 150°F (0° to 65.5°C)
Port Size	NPT / BSPP-G	1/4, 3/8, 1/2
Standard Filtration	Micron	5
Useful Retention**	oz. (cm ³)	1.72 (50.9)
Weight	lb. (kg)	1.08 (0.5)

* Inlet pressure 150 PSIG (10.3 bar). Pressure drop 5 PSID (0.3 bar).

** Useful retention refers to volume below the quiet zone baffle.

"F" Series Filters, Type "A" 5 micron elements: All Wilkerson Type "A" 5 micron elements **meet or exceed ISO Class 3** for maximum particle size and concentration of solid contaminants.

Materials of Construction

Body	Zinc	
Body Cap	ABS	
Bowls	Plastic Bowl	Polycarbonate
	Metal Bowl	Aluminum
Bowl Guard	Nylon	
Deflector	Polypropylene	
Element Retainer / Baffle	Acetal	
Filter Element	Sintered Polyethylene	
Seals	Plastic Bowl	Nitrile
	Metal Bowl	Nitrile
Sight Gauge	Metal Bowl	Polyamide (Nylon)

Dimensions

Models	Inches (mm)	A	B	C	D	D ₁	D ₂	E	E ₁	F	G	G ₁
Standard Unit F18-XX-SK00		2.36 (60)	2.36 (60)	1.02 (26)	6.40 (163)	—	—	7.36 (187)	—	1.61 (41)	1.18 (30)	—
Automatic Drain F18-XX-SG00		2.36 (60)	2.36 (60)	1.02 (26)	6.00 (152)	—	—	7.13 (181)	—	1.61 (41)	1.18 (30)	—
Differential Pressure Indicator		2.36 (60)	2.36 (60)	1.02 (26)	6.40 (163)	1.90 (48)	—	7.36 (187)	8.23 (209)	1.61 (41)	1.18 (30)	—
Electronic Differential Pressure Indicator		2.36 (60)	2.36 (60)	1.02 (26)	6.40 (163)	—	2.69 (68)	7.36 (187)	9.05 (230)	1.61 (41)	1.18 (30)	.69 (18)
Metal Bowl with Sight Gauge / Automatic Drain		2.36 (60)	2.7 (69)	1.02 (26)	6.00 (152)	—	—	7.13 (181)	—	1.61 (41)	1.18 (30)	—
Metal Bowl with Sight Gauge / Manual Drain		2.36 (60)	2.7 (69)	1.02 (26)	6.40 (163)	—	—	7.36 (187)	—	1.61 (41)	1.18 (30)	—

= "Most Popular"

Replacement Bowl Kits

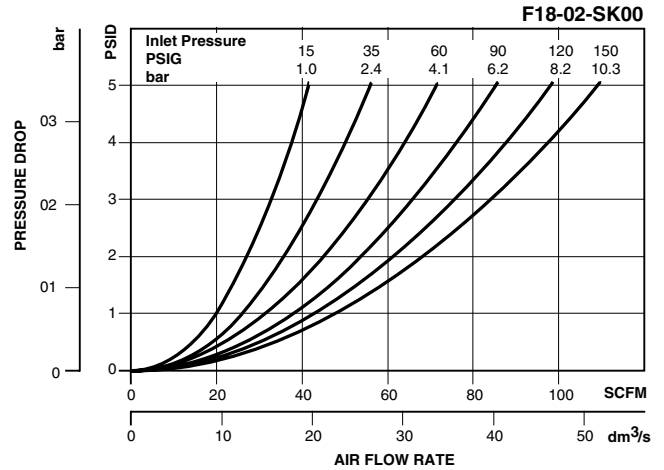
- Metal Bowl with Sight Gauge,
Automatic Float Drain..... GRP-96-637
- Metal Bowl with Sight Gauge, Manual Drain..... GRP-96-636
- Plastic Bowl –
Bowl Guard, Auto Drain..... GRP-96-635
- Bowl Guard, Manual Drain..... GRP-96-634
- Bowl Guard, No Drain GRP-96-638

Replacement Element Kits

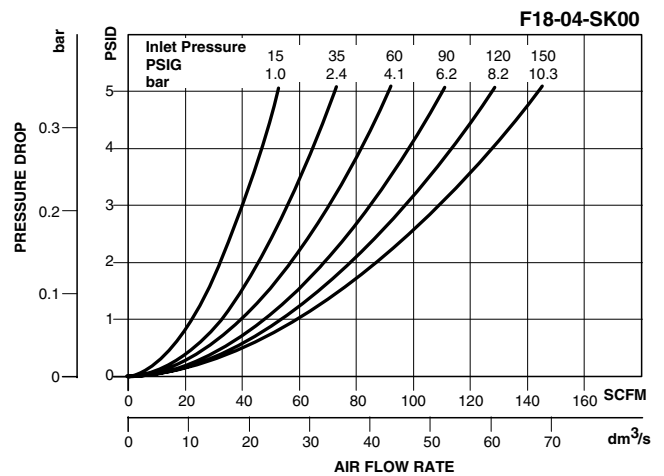
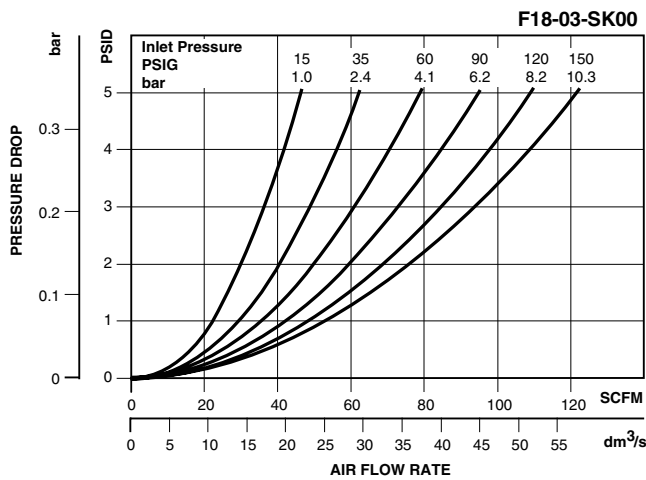
- Type "A", 5 Micron Element only..... FRP-96-639
- Type "A", 5 Micron with Retainer, Deflector,
and Bowl O-ring..... FRP-96-641

Accessories

- Automatic Drain –
Fluorocarbon GRP-95-981
- Nitrile GRP-95-973
- DPI Replacement Kit..... DP8-01-000
- Electronic DPI Conversion Kit..... GRP-96-823
(Converts visual DPI to electronic DPI)
- Electronic DPI Replacement Kit GRP-96-824
- Manual Drain..... GRP-96-685
- Sight Gauge Kit..... GRP-96-825
- Wall Mounting Bracket –
L-Type GPA-96-604
- T-Type GPA-96-602



B



Ordering Information

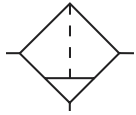
Model Type	Port Size	Plastic Bowl / Bowl Guard	Metal Bowl / Sight Gauge	Plastic Bowl / Bowl Guard with Differential Pressure Indicator
Manual Drain	1/4	F18-02-SK00	F18-02-SL00	F18-02-SKL0
	3/8	F18-03-SK00	F18-03-SL00	F18-03-SKL0
	1/2	F18-04-SK00	F18-04-SL00	F18-04-SKL0
Automatic Drain	1/4	F18-02-SG00	F18-02-SH00	F18-02-SGL0
	3/8	F18-03-SG00	F18-03-SH00	F18-03-SGL0
	1/2	F18-04-SG00	F18-04-SH00	F18-04-SGL0

Options - To order an option supplied with the unit model, add the appropriate coded suffix letter in the designated position of the model number.

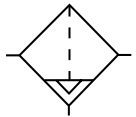
Particulate Filter

= "Most Popular"

F28



Manual Drain



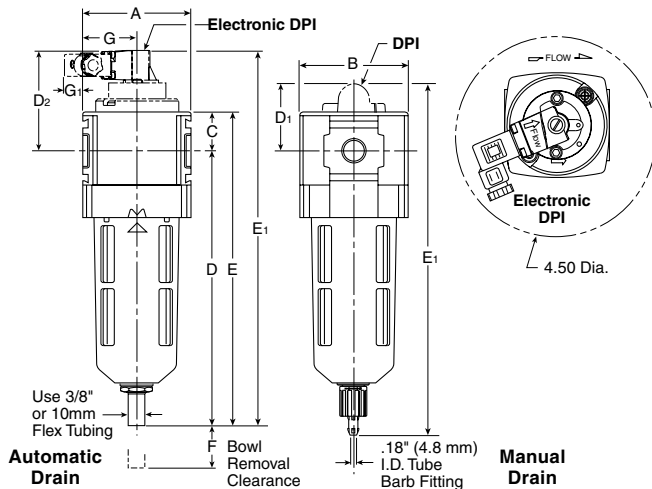
Auto Drain



F28-03-SG00

Features

- Standard 5 Micron Filtration
- High Flow Capacities
- 3/4" NPT / BSPP-G Over-port
- Quick-disconnect Bowl
- Bowl Guard
- Light Weight
- Barbed Manual Drain Connection with Pipe-away



Specifications

Flow Capacity*	3/8	144 SCFM (68.0 dm ³ /s)
	1/2	160 SCFM (75.5 dm ³ /s)
	3/4	165 SCFM (77.9 dm ³ /s)
Maximum Supply Pressure	Plastic Bowl	150 PSIG (10.3 bar)
	Metal Bowl	250 PSIG (17.2 bar)
Operating Temperature	Plastic Bowl	32° to 125°F (0° to 52°C)
	Metal Bowl	32° to 150°F (0° to 65.5°C)
Port Size	NPT / BSPP-G	3/8, 1/2, 3/4
Standard Filtration	Micron	5
Useful Retention**	oz. (cm ³)	2.87 (84.9)
Weight	lb. (kg)	1.7 (0.77)

* Inlet pressure 150 PSIG (10.3 bar). Pressure drop 5 PSID (0.3 bar).

** Useful retention refers to volume below the quiet zone baffle.

"F" Series Filters, Type "A" 5 micron elements: All Wilkerson Type "A" 5 micron elements **meet or exceed ISO Class 3** for maximum particle size and concentration of solid contaminants.

Materials of Construction

Body	Zinc	
Body Cap	ABS	
Bowls	Plastic Bowl	Polycarbonate
	Metal Bowl	Aluminum
Bowl Guard	Nylon	
Deflector	Polypropylene	
Element Retainer / Baffle	Acetal	
Filter Element	Sintered Polyethylene	
Seals	Plastic Bowl	Nitrile
	Metal Bowl	Nitrile
Sight Gauge	Metal Bowl	Polyamide (Nylon)

Dimensions

Models	Inches (mm)	A	B	C	D	D ₁	D ₂	E	E ₁	F	G	G ₁
Standard Unit F28-XX-SK00		2.90 (73)	2.90 (73)	1.02 (26)	7.40 (188)	—	—	8.40 (213)	—	2.00 (51)	1.42 (36)	—
Automatic Drain F28-XX-SG00		2.90 (73)	2.90 (73)	1.02 (26)	7.00 (178)	—	—	8.16 (207)	—	2.00 (51)	1.42 (36)	—
Differential Pressure Indicator		2.90 (73)	2.90 (73)	1.02 (26)	7.40 (188)	1.90 (48)	—	8.40 (213)	9.25 (235)	2.00 (51)	1.42 (36)	—
Electronic Differential Pressure Indicator		2.90 (73)	2.90 (73)	1.02 (26)	7.40 (188)	—	2.69 (68)	8.40 (213)	10.07 (256)	2.00 (51)	1.42 (36)	.43 (11)
Metal Bowl with Sight Gauge / Automatic Drain		2.90 (73)	3.23 (82)	1.02 (26)	7.00 (178)	—	—	8.16 (207)	—	2.00 (51)	1.42 (36)	—
Metal Bowl with Sight Gauge / Manual Drain		2.90 (73)	3.23 (82)	1.02 (26)	7.40 (188)	—	—	8.40 (213)	—	2.00 (51)	1.42 (36)	—

= "Most Popular"

Replacement Bowl Kits

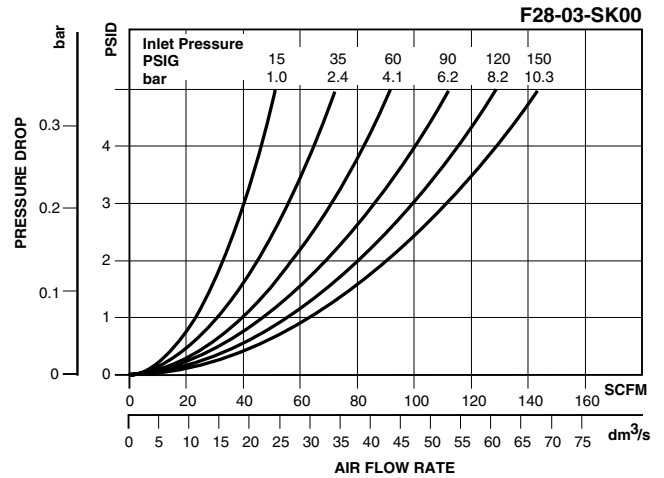
- Metal Bowl with Sight Gauge,
Automatic Float Drain..... GRP-96-645
- Metal Bowl with Sight Gauge, Manual Drain..... GRP-96-644
- Plastic Bowl –
Bowl Guard, Auto Drain..... GRP-96-643
- Bowl Guard, Manual Drain..... GRP-96-642
- Bowl Guard, No Drain GRP-96-652

Replacement Element Kits

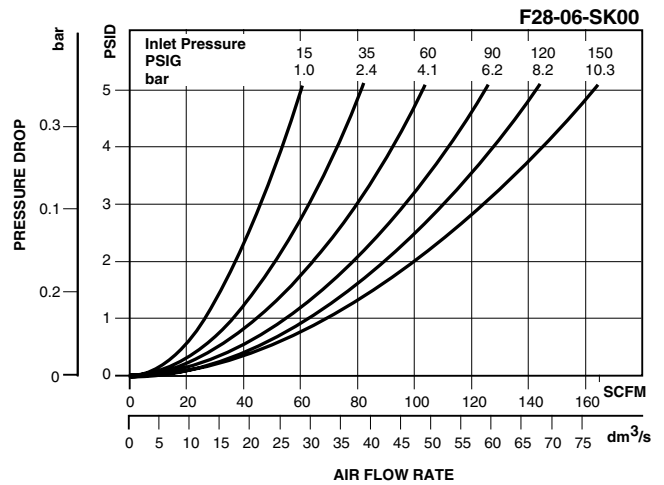
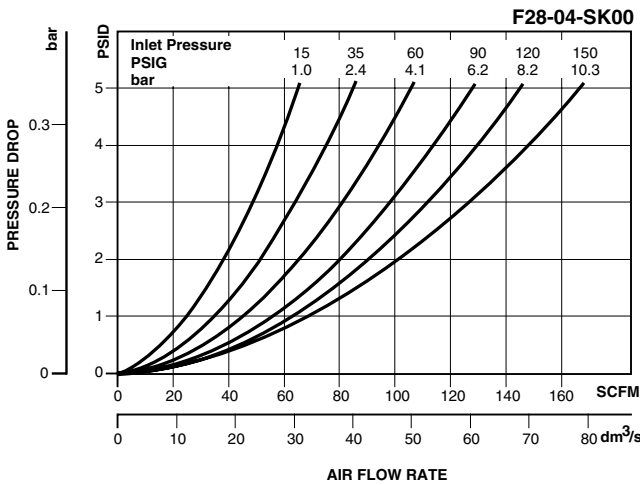
- Type "A", 5 Micron with Element..... FRP-96-653
- Type "A", 5 Micron with Retainer, Deflector,
and Bowl O-ring..... FRP-96-283

Accessories

- Automatic Drain –
Fluorocarbon GRP-95-981
- Nitrile GRP-95-973
- DPI Replacement Kit..... DP8-01-000
- Electronic DPI Conversion Kit..... GRP-96-823
(Converts visual DPI to electronic DPI)
- Electronic DPI Replacement Kit GRP-96-824
- Manual Drain..... GRP-96-685
- Sight Gauge Kit..... GRP-96-825
- Wall Mounting Bracket –
L-Type GPA-96-605
- T-Type GPA-96-602



B



Ordering Information

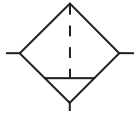
Model Type	Port Size	Plastic Bowl / Bowl Guard	Metal Bowl / Sight Gauge	Plastic Bowl / Bowl Guard with Differential Pressure Indicator
Manual Drain	3/8	F28-03-SK00	F28-03-SL00	F28-03-SKL0
	1/2	F28-04-SK00	F28-04-SL00	F28-04-SKL0
	3/4	F28-06-SK00	F28-06-SL00	F28-06-SKL0
Automatic Drain	3/8	F28-03-SG00	F28-03-SH00	F28-03-SGL0
	1/2	F28-04-SG00	F28-04-SH00	F28-04-SGL0
	3/4	F28-06-SG00	F28-06-SH00	F28-06-SGL0

Options - To order an option supplied with the unit model, add the appropriate coded suffix letter in the designated position of the model number.

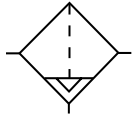
Particulate Filter

= "Most Popular"

F39



Manual Drain



Auto Drain



F39-08-SL00

Features

- Standard 5 Micron Filtration
- High Flow Capacities
- 3/4" and 1" NPT Ports
- Port Blocks for BSPP Thread and 1-1/2" Ports
- Quick-disconnect Bowl

Specifications

Flow Capacity*	3/4 1	270 SCFM (127 dm ³ /s) 280 SCFM (132 dm ³ /s)
Maximum Supply Pressure	250 PSIG (17 bar)	
Operating Temperature	32° to 175°F (0° to 80°C)	
Port Size	NPT	3/4, 1
Standard Filtration	Micron	5
Useful Retention**	oz. (cm ³)	6.8 (200)
Weight	lb. (kg)	3.5 (1.6)

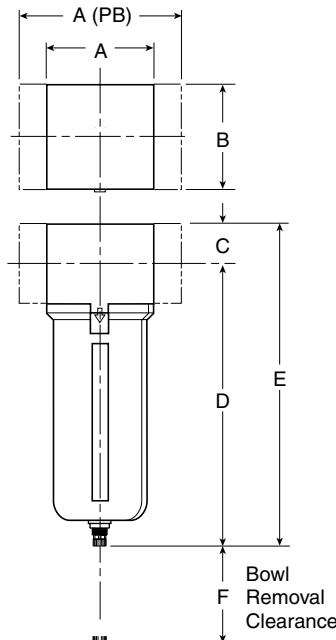
* Inlet pressure 100 PSIG (6.9 bar). Pressure drop 5 PSID (0.3 bar).

** Useful retention refers to volume below the quiet zone baffle.

"F" Series Filters, Type "A" 5 micron elements: All Wilkerson Type "A" 5 micron elements **meet or exceed ISO Class 3** for maximum particle size and concentration of solid contaminants.

Materials of Construction

Baffle	Plastic
Body	Aluminum
Bowls	Aluminum
Deflector	Plastic
Filter Element	Sintered Polyethylene
Seals	Nitrile
Sight Gauge	Polyamide (Nylon)



Dimensions

Models	Inches (mm)	A	A (PB)	B	C	D†	E†	F
Standard Unit F39-XX-SL00		3.62 (92)	5.91 (150)	3.62 (92)	1.38 (35)	9.57 (243)	10.95 (278)	4.92 (125)

† With Manual Drain or Internal Auto Drain

Replacement Bowl Kits

- Metal Bowl –
- Sight Gauge / Internal Auto Drain P3NKA00BSA
- Sight Gauge / Manual Drain.....P3NKA00BSM

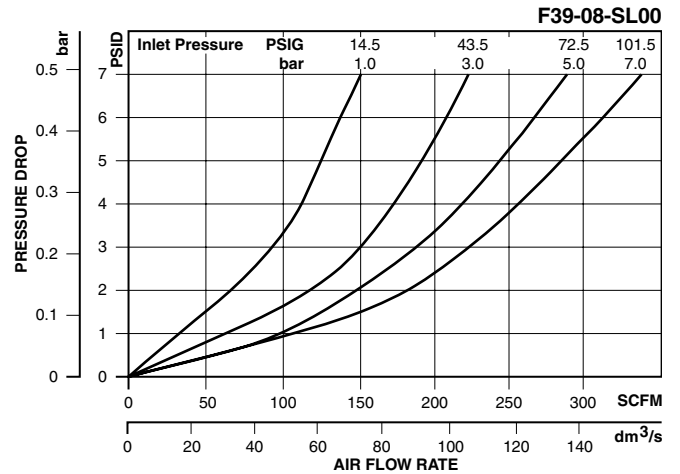
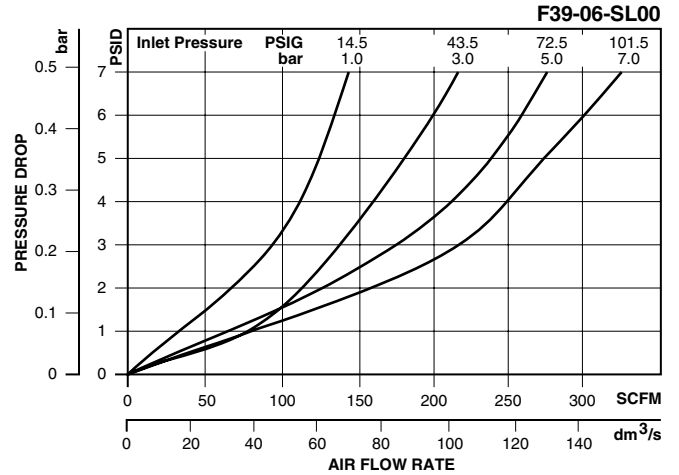
Replacement Element Kits

- 40 Micron P3NKA00ESG
- 5 Micron P3NKA00ESE
- Activated Carbon..... P3NKA00ESA

Accessories

- Bowl Latch Kit C11A33
- Drain Kits –
- Internal Auto DrainPS506
- Manual Drain PS512
- Mounting Bracket Kit P3NKA00MW
- Sight Gauge KitP3NKA00PE

= "Most Popular"



Ordering Information

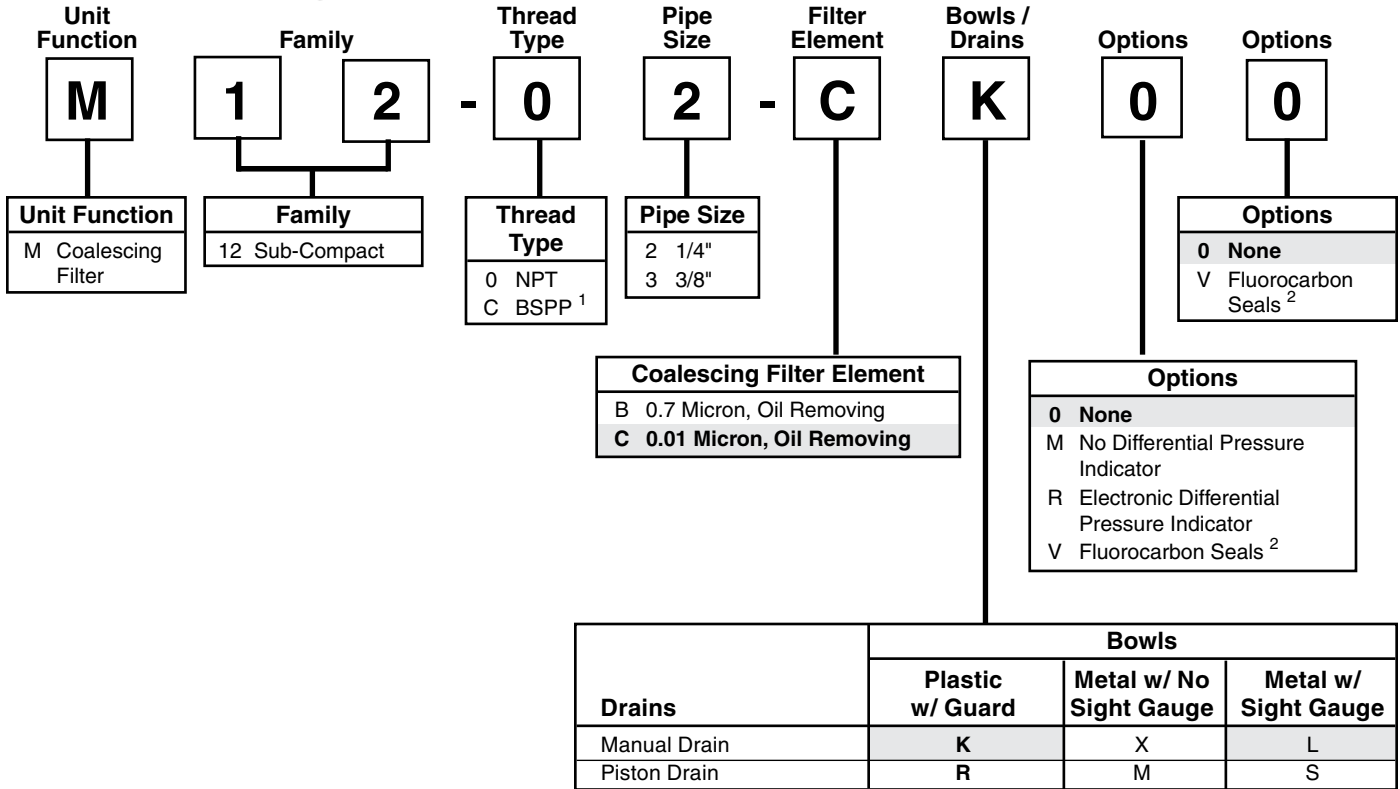
Model Type	Port Size	Metal Bowl / Sight Gauge
Manual Drain	3/4	F39-06-SL00
	1	F39-08-SL00
Automatic Drain	3/4	F39-06-SH00
	1	F39-08-SH00

Options - To order an option supplied with the unit model, add the appropriate coded suffix letter in the designated position of the model number.

B

Coalescing (Oil Removal) Numbering System (12 Series)

= "Most Popular"



¹ ISO, R228 (G Series)

² Fluorocarbon seals available only on units with metal bowl with manual drain.

³ M12 comes with Differential Pressure Indicator standard, rated up to 150 PSI.

Note: When selecting from the options columns, please enter letters in alphabetical order, for positions 7, 8, and 9. For example:

M 1 2 - 0 2 - C K 0 0

"M" Series Coalescing Filters, with Type "B" 0.7 micron elements:

All Wilkerson Type "M" Oil Removal (Coalescing) Filters with Type "B" 0.7 micron elements **exceed ISO Class 2** for maximum particle size and concentration of solid contaminants, and **exceed Class 3** on maximum oil content (ppm/wt).

"M" Series Coalescing Filters, with Type "C" 0.01 micron elements:

All Wilkerson Type "M" Oil Removal (Coalescing) Filters with Type "C" 0.01 micron elements **exceed ISO Class 1** for maximum particle size and concentration of solid contaminants, and **exceed Class 1** on maximum oil content (ppm/wt).

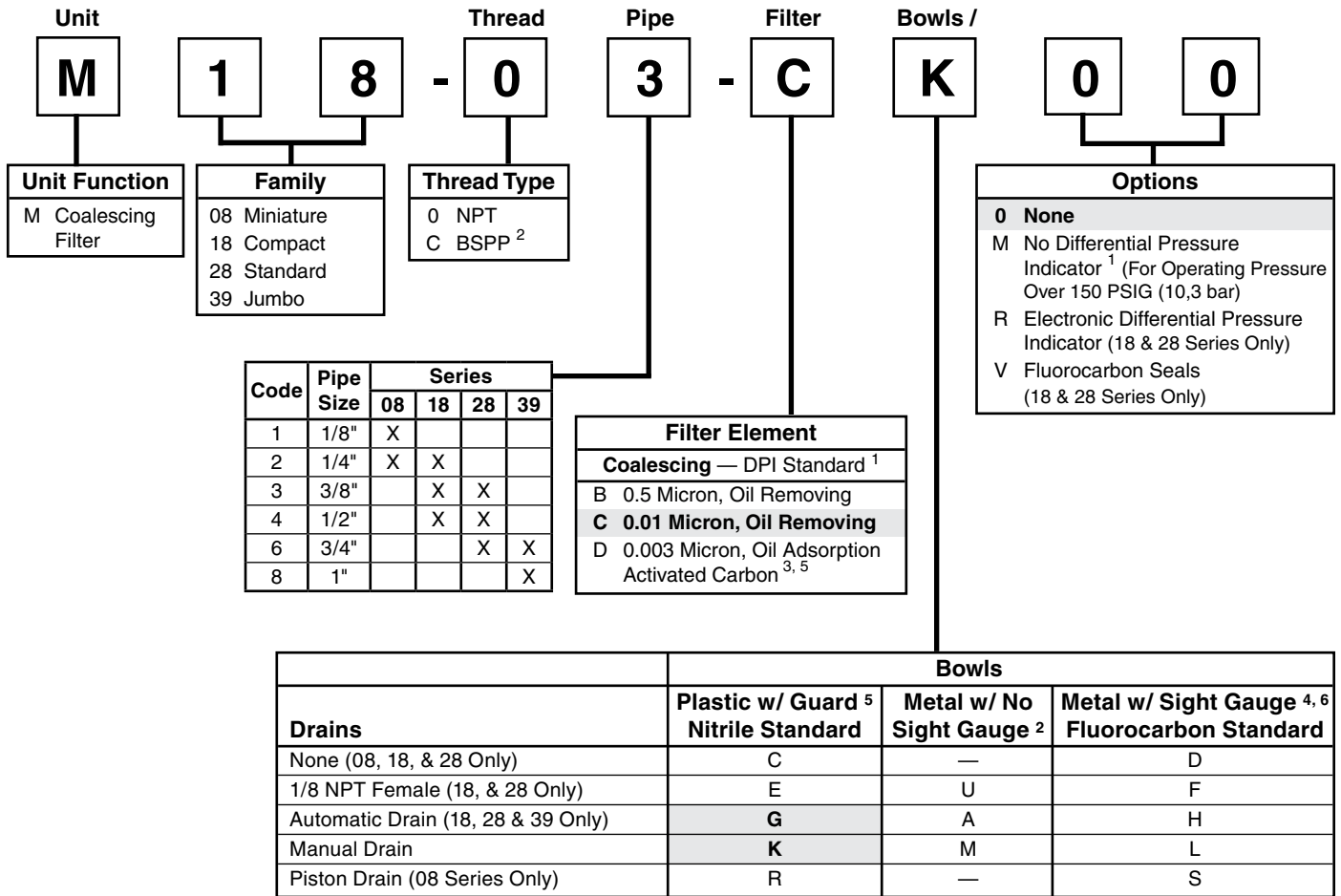
"M" Series Adsorption Filters, with Type "D" activated carbon elements:

All Wilkerson Type "M" adsorption filters with Type "D" 0.003 micron activated carbon elements **exceed ISO Class 1** on maximum oil content (ppm/wt).

NOTE: All classes above refer to International Standards Organization (ISO) standard 8573-1, pertaining to maximum particle size and concentration of solid contaminants, and maximum oil content.

Coalescing (Oil Removal) Numbering System

 = "Most Popular"



¹ "M" Option not available on 08 Series. No DPI is Standard on M08.

² ISO, R228 (G Series)

³ Only C, D, K, and L Bowl / Drain Configurations Available.

⁴ M08 Filter has an all Metal Bowl (no Sight Gauge).

⁵ Not available in 39 Series.

"M" Series Coalescing Filters, with Type "B" 0.5 micron elements:
All Wilkerson Type "M" Oil Removal (Coalescing) Filters with Type "B" 0.5 micron elements **exceed ISO Class 2** for maximum particle size and concentration of solid contaminants, and exceed Class 3 on maximum oil content (ppm/wt).

"M" Series Coalescing Filters, with Type "C" 0.01 micron elements:
All Wilkerson Type "M" Oil Removal (Coalescing) Filters with Type "C" 0.01 micron elements **exceed ISO Class 1** for maximum particle size and concentration of solid contaminants, and exceed Class 1 on maximum oil content (ppm/wt).

"M" Series Adsorption Filters, with Type "D" activated carbon elements: All Wilkerson Type "M" adsorption filters with Type "D" 0.003 micron activated carbon elements **exceed ISO Class 1** on maximum oil content (ppm/wt).

NOTE: All classes above refer to International Standards Organization (ISO) standard 8573-1, pertaining to maximum particle size and concentration of solid contaminants, and maximum oil content.

Note: When selecting from the options columns, please enter letters in alphabetical order for positions 7, 8, and 9. For example:

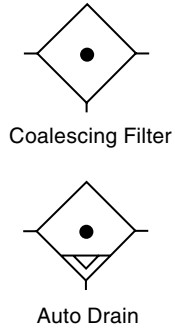
M 1 8 - 0 3 - C K 0 0

B

Coalescing Filter

M08

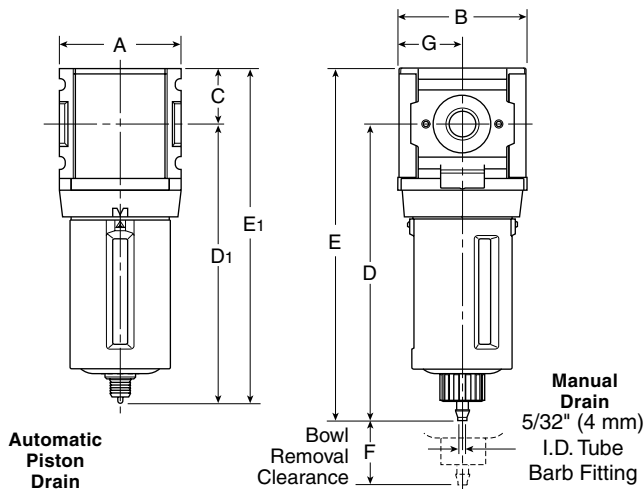
= "Most Popular"



M08-02-CK00

Features

- High-efficiency Removal of Water, Oil Aerosols, and Solid Particulate Contaminants Down to 0.01 ppm / wt with Minimum Pressure Drop
- Modern Design and Appearance
- Light Weight
- High Flow Capacity
- Bowl Guard
- Quick-disconnect Bowl



Specifications

Flow Capacity*	1/8, 1/4	11.0 SCFM (5.2 dm ³ /s)
Maximum Supply Pressure	Plastic Bowl Metal Bowl	150 PSIG (10.3 bar) 250 PSIG (17.2 bar)
Operating Temperature	Plastic Bowl Metal Bowl	32° to 125°F (0° to 52°C) 32° to 150°F (0° to 65.5°C)
Port Size	NPT / BSPP-G 1/4	
Standard Filtration**	Micron	(B) .5, (C) 0.01 (D) 0.003 ppm wt
Useful Retention†	oz. (cm ³)	.4 (12)
Weight	lb. (kg)	.4 (0.2)

* Inlet pressure 150 PSIG (10.3 bar). Pressure drop 3 PSID (0.2 bar) (dry element).

** Filtration temperature of 70°F (21°C) @ 100 PSIG (6.9 bar) with typical compressor lubricating oil and protected by Type C filter.

† Useful retention refers to volume below the quiet zone baffle.

"M" Series Coalescing Filters, with Type "B" 0.5 micron elements: All Wilkerson Type "M" Oil Removal (Coalescing) Filters with Type "B" 0.5 micron elements exceed ISO Class 2 for maximum particle size and concentration of solid contaminants, and exceed Class 3 on maximum oil content (ppm/wt).

"M" Series Coalescing Filters, with Type "C" 0.01 micron elements: All Wilkerson Type "M" Oil Removal (Coalescing) Filters with Type "C" 0.01 micron elements exceed ISO Class 1 for maximum particle size and concentration of solid contaminants, and exceed Class 1 on maximum oil content (ppm/wt).

"M" Series Adsorption Filters, with Type "D" 0.003 micron activated carbon elements: All Wilkerson Type "M" adsorption filters with Type "D" 0.003 micron activated carbon elements exceed ISO Class 1 on maximum oil content (ppm/wt).

Materials of Construction

Body	Zinc	
Body Cap	ABS	
Bowl	Plastic Bowl Metal Bowl	Polycarbonate Zinc
Filter Element	Type "B", "C" Type "D"	Borosilicate Cloth Activated Carbon
Seals	Nitrile	

Dimensions

Models	Inches (mm)	A	B	C	D	D ₁	E	E ₁	F	G
Standard Unit M08-XX-CK00		1.58 (40)	1.68 (43)	.72 (18)	3.86 (98)	—	4.58 (116)	—	1.31 (33)	.84 (21)
Automatic Piston Drain M08-XX-CR00		1.58 (40)	1.68 (43)	.72 (18)	—	3.64 (93)	—	4.36 (111)	1.31 (33)	.84 (21)

 = "Most Popular"

Replacement Bowl Kits

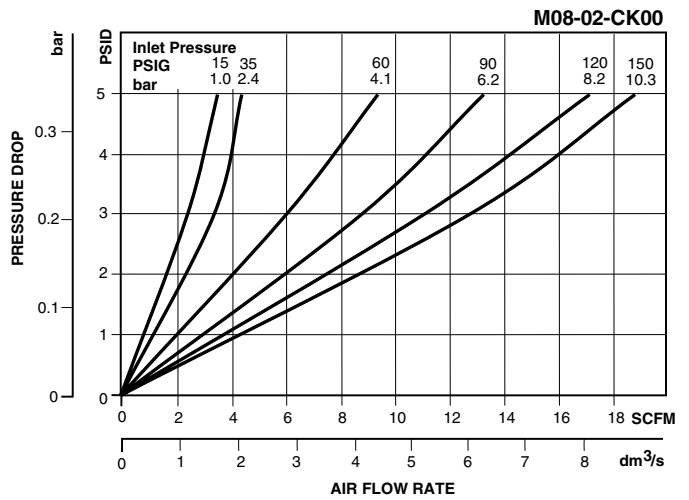
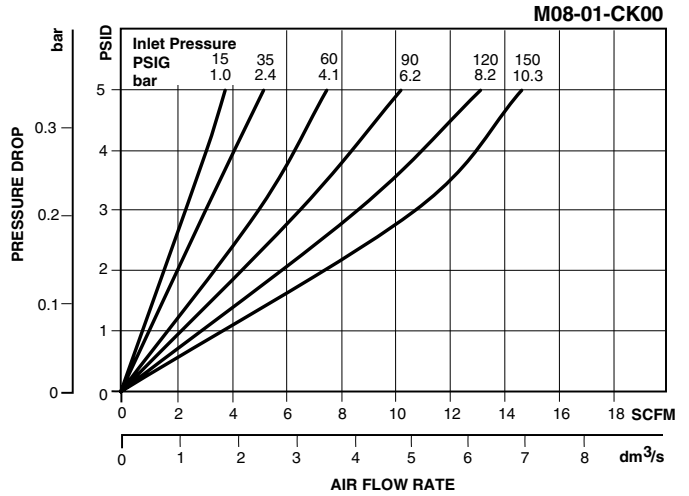
- Metal Bowl, Manual Drain.....GRP-96-714
- Plastic Bowl / Bowl Guard, Manual Drain.....GRP-96-712

Replacement Element Kits

- Type "B", 0.5 Micron..... MSP-96-732
- Type "C", 0.01 Micron..... MTP-96-649
- Type "D", 0.003 Micron, Activated Carbon MXP-96-222

Accessories

- Automatic Piston DrainGRP-96-716
- Wall Mounting Bracket –
- C-Type GPA-97-010
- T-Type GPA-96-737



Ordering Information

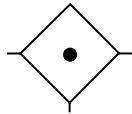
Model Type	Port Size	Plastic Bowl / Bowl Guard / C Element	Plastic Bowl / Bowl Guard / B Element	Plastic Bowl / Bowl Guard / D Element	Metal Bowl / C Element	Metal Bowl / B Element	Metal Bowl / D Element
Manual Drain	1/4	M08-02-CK00	M08-02-BK00	M08-02-DK00	M08-02-CL00	M08-02-BL00	M08-02-DL00
Automatic Piston Drain	1/4	M08-02-CR00	M08-02-BR00	M08-02-DR00	M08-02-CS00	M08-02-BS00	M08-02-DS00

Options - To order an option supplied with the unit model, add the appropriate coded suffix letter in the designated position of the model number.

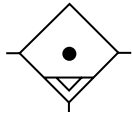


Coalescing Filter M12

= "Most Popular"



Coalescing Filter



Auto Drain



M12-02-CK00

Features

- Removes Liquid Aerosols and Sub-micron Particles
- Liquids Gravitate to the Bottom of the Element and Will Not Re-enter the Airstream
- Oil Free Air for Critical Applications, such as Air Gauging and Pneumatic Instrumentation and Controls
- Interchangeable Manual and Piston Drains
- Differential Pressure Indicator Standard

Specifications

High Flow Capacity*	Port Size	"C" Element	"B" Element	
	1/4	30 SCFM	50 SCFM	
	3/8	30 SCFM	65 SCFM	
Maximum Supply Pressure	Without DPI		Plastic Bowl	150 PSIG (10.3 bar)
			Metal Bowl	250 PSIG (17.2 bar)
	With DPI			150 PSIG (10.3 bar)
	With Piston Drain			150 PSIG (10.3 bar)
Operating Temperature	Without DPI		Plastic Bowl	32° to 125°F (0° to 52°C)
			Metal Bowl	32° to 175°F (0° to 80°C)
	With DPI			32° to 125°F (0° to 52°C)
	With Piston Drain			32° to 125°F (0° to 52°C)
Port Size	NPT / BSPP-G		1/4, 3/8	
Standard Filtration	Micron	(C) 0.01 (B) 0.7		
Useful Retention **	oz. (cc)	.9 (26.6)		
Weight	lb. (kg)	1.2 (0.54)		

* Inlet pressure 90 psig (6.2 bar) and 5 psig (0.3 bar) pressure drop.

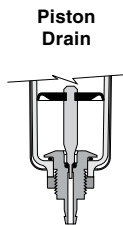
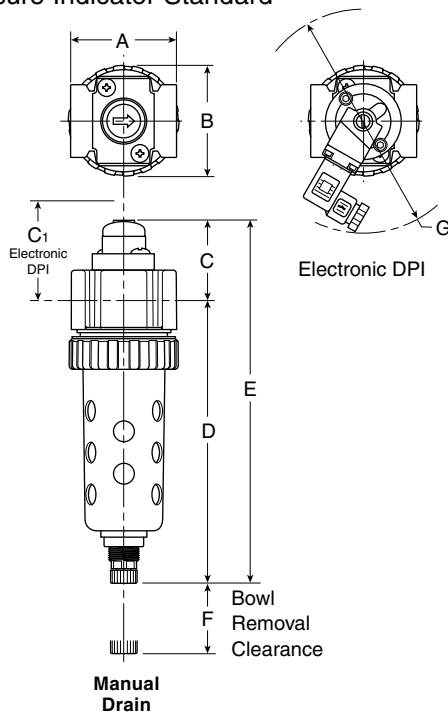
** Useful Retention refers to volume below the quiet zone baffle.

"M12" Series Coalescing Filters, with Type "B" 0.7 micron elements: Wilkerson Type "M12" Oil Removal (Coalescing) Filters with Type "B" 0.7 micron elements **exceed ISO Class 2** for maximum particle size and concentration of solid contaminants, and exceed Class 3 on maximum oil content (ppm/wt).

"M" Series Coalescing Filters, with Type "C" 0.01 micron elements: All Wilkerson Type "M" Oil Removal (Coalescing) Filters with Type "C" 0.01 micron elements **exceed ISO Class 1** for maximum particle size and concentration of solid contaminants, and exceed Class 1 on maximum oil content (ppm/wt).

Materials of Construction

Body	Zinc	
Bowls	Plastic Bowl	Polycarbonate
	Metal Bowl	Zinc
Drain	Plastic	
Element Holder	Acetal	
Filter Element	Type "B", "C"	Borosilicate & Felt Glass Fibers
Seals	Nitrile	
Sight Gauge DPI	Polyamide (Nylon)	



Piston Drain

NOTE: Barb (Piston Drain) accepts 3/16" ID tubing.

Dimensions

Models	Inches (mm)	A	B	C	C ₁	D [†]	E [†]	F	G
Standard Unit M12-XX-CK00		2.00 (51)	2.06 (52)	1.50 (38)	1.86 (47)	5.35 (136)	6.85 (174)	1.77 (45)	4.50 (114)

[†] With Manual or Piston Drain

Replacement Bowl Kits

- Metal Bowl Guard GRP-96-345
- Metal Bowl –
 - Manual Drain GRP-96-348
 - Piston Drain GRP-96-353
 - Sight Gauge / Manual Drain GRP-96-349
 - Sight Gauge / Piston Drain GRP-96-352
- Plastic Bowl –
 - Manual Drain GRP-96-347
 - Piston Drain GRP-96-351

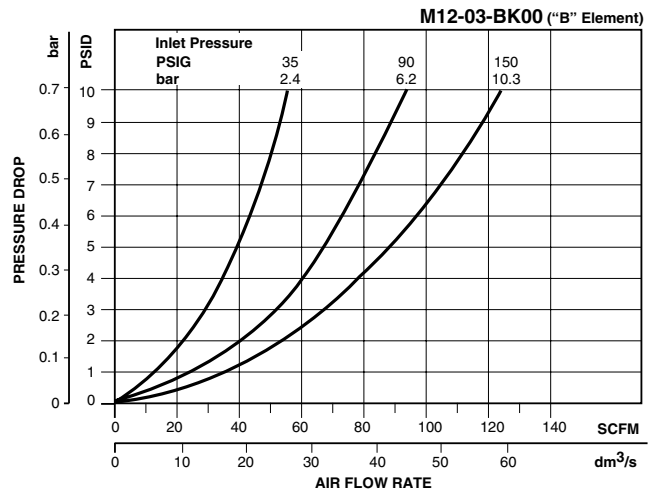
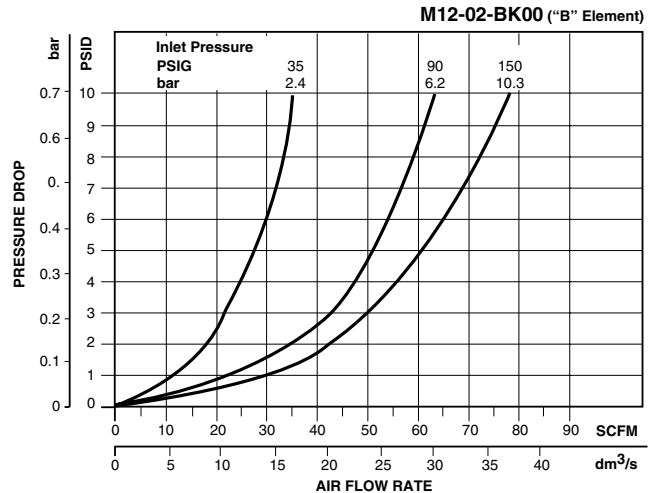
Replacement Element Kits

- Type “B”, 0.7 Micron (Optional) MRP-96-301
- Type “C”, 0.01 Micron (Standard) MRP-96-300

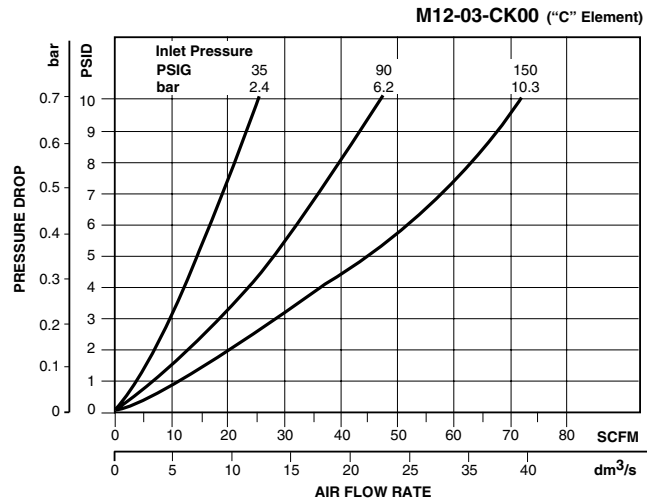
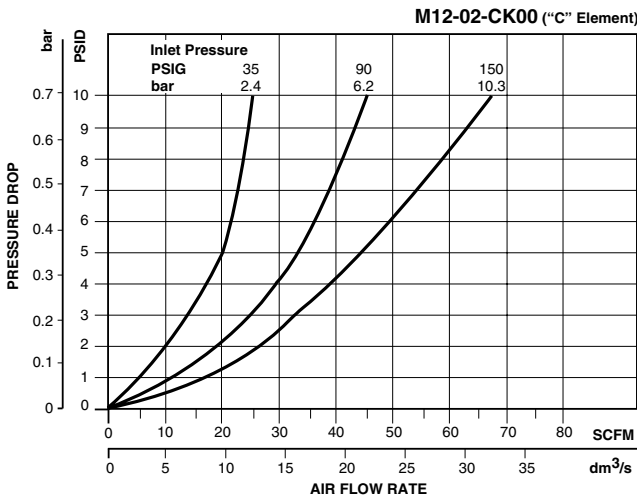
Accessories

- DPI Replacement Kit FRP-96-300
- Drain Kit –
 - Manual Drain GRP-96-340
 - Piston Drain GRP-96-354
- Electronic DPI Kit PS764
- Mounting Bracket Kit GPA-96-300
- Sight Gauge Kit GRP-96-346

= “Most Popular”



B



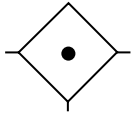
Ordering Information

Model Type	Port Size	Plastic Bowl / Bowl Guard	Metal Bowl / Sight Gauge
Manual Drain	1/4	M12-02-CK00	M12-02-CL00
	3/8	M12-03-CK00	M12-03-CL00
Automatic Piston Drain	1/4	M12-02-CR00	M12-02-CS00
	3/8	M12-03-CR00	M12-03-CS00

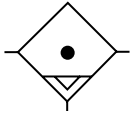
Options - To order an option supplied with the unit model, add the appropriate coded suffix letter in the designated position of the model number.

Coalescing Filter

M18



Coalescing Filter



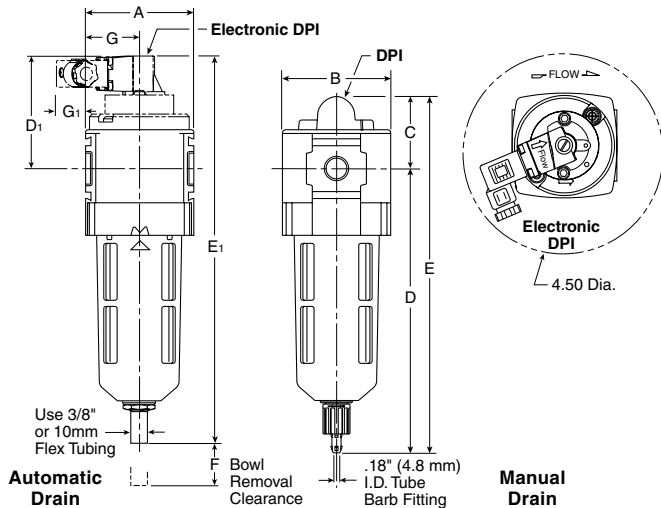
Auto Drain



M18-02-CK00

Features

- High-efficiency Removal of Water, Oil Aerosols, and Solid Particulate Contaminants Down to 0.01 ppm / wt with Minimum Pressure Drop
- Modern Design and Appearance
- Light Weight
- High Flow Capacity
- Bowl Guard
- Quick-disconnect Bowl



Specifications

Flow Capacity*	1/4	40 SCFM (18.9 dm ³ /s)
	3/8	44 SCFM (20.3 dm ³ /s)
	1/2	48 SCFM (22.6 dm ³ /s)
Maximum Supply Pressure**	Plastic Bowl	150 PSIG (10.3 bar)
	Metal Bowl	150 PSIG (10.3 bar)
Operating Temperature	Plastic Bowl	32° to 125°F (0° to 52°C)
	Metal Bowl	32° to 150°F (0° to 65.5°C)
Port Size	NPT / BSPP-G	1/4, 3/8, 1/2
Standard Filtration†	Micron	(B) 0.5, (C) 0.01
		(D) 0.003 ppm wt
Useful Retention‡	oz. (cm ³)	1.72 (50.9)
Weight	lb. (kg)	1.1 (0.5)

* Inlet pressure 150 PSIG (10.3 bar). Pressure drop 3 PSID (0.2 bar) (dry element).

** Without pressure indicator — max. supply pressure for metal bowl version is 250 PSIG (17.2 bar).

† Filtration temperature of 70°F (21°C) @ 100 PSIG (6.9 bar) with typical compressor lubricating oil and protected by Type C filter.

‡ Useful retention refers to volume below the quiet zone baffle.

“M” Series Coalescing Filters, with Type “B” 0.5 micron elements: All Wilkerson Type “M” Oil Removal (Coalescing) Filters with Type “B” 0.5 micron elements **exceed ISO Class 2** for maximum particle size and concentration of solid contaminants, and exceed Class 3 on maximum oil content (ppm/wt).

“M” Series Coalescing Filters, with Type “C” 0.01 micron elements: All Wilkerson Type “M” Oil Removal (Coalescing) Filters with Type “C” 0.01 micron elements **exceed ISO Class 1** for maximum particle size and concentration of solid contaminants, and exceed Class 1 on maximum oil content (ppm/wt).

“M” Series Adsorption Filters, with Type “D” 0.003 micron activated carbon elements: All Wilkerson Type “M” adsorption filters with Type “D” 0.003 micron activated carbon elements **exceed ISO Class 1** on maximum oil content (ppm/wt).

Materials of Construction

Body	Zinc	
Body Cap	ABS	
Bowl	Plastic Bowl	Polycarbonate
	Metal Bowl	Aluminum
Filter Element	Type “B”, “C”	Borosilicate Cloth
	Type “D”	Activated Carbon
Seals	Nitrile	
Sight Gauge	Metal Bowl	Polyamide (Nylon)

Dimensions

Models	Inches (mm)	A	B	C	D	D ₁	E	E ₁	F	G	G ₁
Standard Unit M18-XX-CK00		2.36 (60)	2.36 (60)	1.90 (48)	6.32 (161)	—	8.23 (209)	—	1.60 (41)	1.18 (30)	—
Automatic Drain M18-XX-CG00		2.36 (60)	2.36 (60)	1.90 (48)	5.98 (152)	—	8.00 (203)	—	1.60 (41)	1.18 (30)	—
Electronic Differential Pressure Indicator		2.36 (60)	2.36 (60)	—	6.41 (163)	2.67 (68)	—	9.05 (230)	1.60 (41)	1.18 (30)	.69 (18)
Metal Bowl with Sight Gauge / Automatic Drain		2.36 (60)	2.70 (69)	1.90 (48)	5.98 (152)	—	8.00 (203)	—	1.60 (41)	1.18 (30)	—
Metal Bowl with Sight Gauge / Manual Drain		2.36 (60)	2.70 (69)	1.90 (48)	6.32 (161)	—	8.23 (209)	—	1.60 (41)	1.18 (30)	—

= "Most Popular"

Replacement Bowl Kits

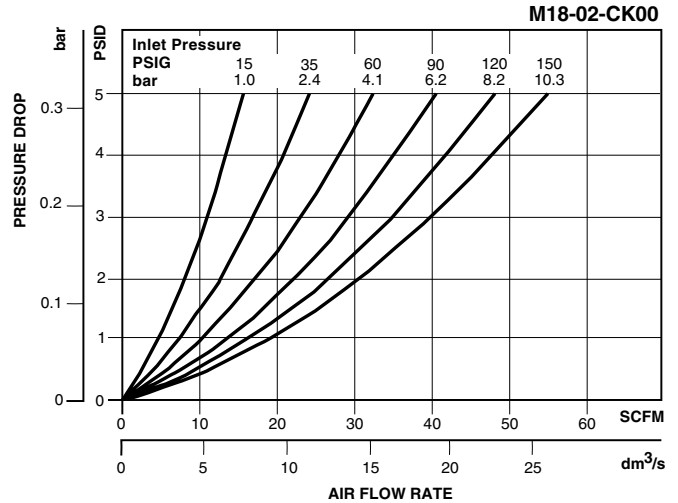
- Metal Bowl with Sight Gauge,
Automatic Float Drain..... GRP-96-637
- Metal Bowl with Sight Gauge, Manual Drain..... GRP-96-636
- Plastic Bowl –
Bowl Guard, Auto Drain..... GRP-96-635
- Bowl Guard, Manual Drain..... GRP-96-634
- Bowl Guard, No Drain GRP-96-638

Replacement Element Kits

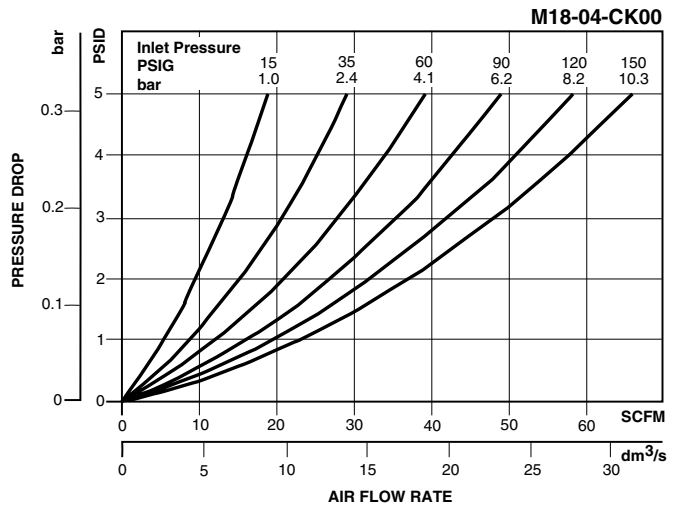
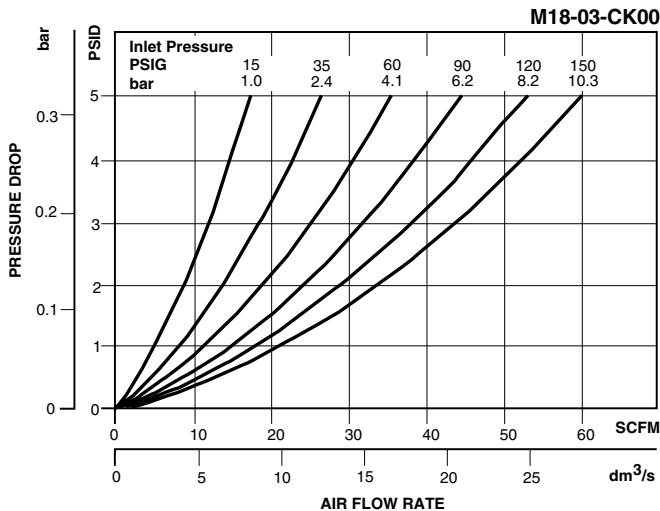
- Type "B", 0.5 Micron..... MSP-96-647
- Type "C", 0.01 Micron..... MTP-96-646
- Type "D", 0.003 Micron Activated Carbon MXP-96-650

Accessories

- Automatic Drain –
Fluorocarbon GRP-95-981
- Nitrile GRP-95-973
- DPI Replacement Kit..... DP8-01-000
- Electronic DPI Conversion Kit..... GRP-96-823
(Converts visual DPI to electronic DPI)
- Electronic DPI Replacement Kit GRP-96-824
- Manual Drain..... GRP-96-685
- Sight Gauge Kit..... GRP-96-825
- Wall Mounting Bracket –
L-Type GPA-96-604
- T-Type GPA-96-602



B



Ordering Information

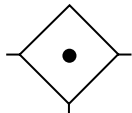
Model Type	Port Size	Plastic Bowl / Bowl Guard / C Element	Plastic Bowl / Bowl Guard / B Element	Plastic Bowl / Bowl Guard / D Element	Metal Bowl / Sight Gauge / C Element	Metal Bowl / Sight Gauge / B Element	Metal Bowl / Sight Gauge / D Element
Manual Drain	1/4	M18-02-CK00	M18-02-BK00	M18-02-DK00	M18-02-CL00	M18-02-BH00	M18-02-DL00
	3/8	M18-03-CK00	M18-03-BK00	M18-03-DK00	M18-03-CL00	M18-03-BL00	M18-03-DL00
	1/2	M18-04-CK00	M18-04-BK00	M18-04-DK00	M18-04-CL00	M18-04-BL00	M18-04-DL00
Automatic Drain	1/4	M18-02-CG00	M18-02-BG00	N/A	M18-02-CH00	M18-02-BH00	N/A
	3/8	M18-03-CG00	M18-03-BG00	N/A	M18-03-CH00	M18-03-BH00	N/A
	1/2	M18-04-CG00	M18-04-BG00	N/A	M18-04-CH00	M18-04-BH00	N/A

Options - To order an option supplied with the unit model, add the appropriate coded suffix letter in the designated position of the model number.

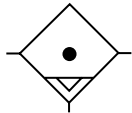
Coalescing Filter

= "Most Popular"

M28



Coalescing Filter



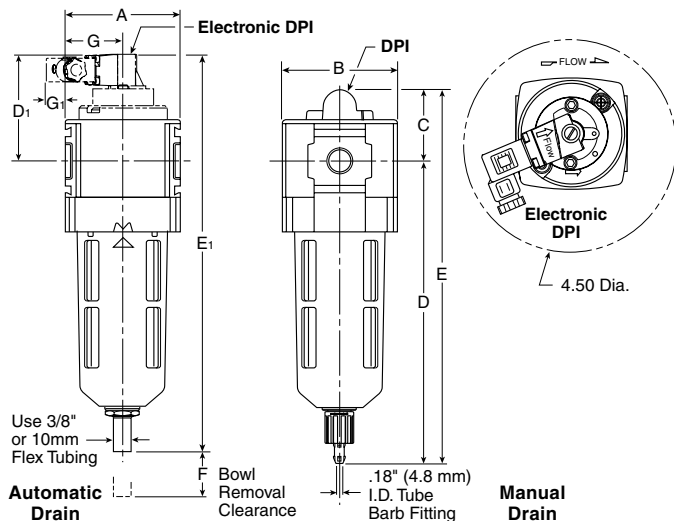
Auto Drain



M28-03-CG00

Features

- High-efficiency Removal of Water, Oil Aerosols, and Solid Particulate Contaminants Down to 0.01 ppm / wt with Minimum Pressure Drop
- Modern Design and Appearance
- Light Weight
- High Flow Capacity
- Bowl Guard
- Quick-disconnect Bowl



Specifications

Flow Capacity*	3/8	82 SCFM (38.7 dm ³ /s)
	1/2	90 SCFM (42.5 dm ³ /s)
	3/4	98 SCFM (46.3 dm ³ /s)
Maximum Supply Pressure**	Plastic Bowl	150 PSIG (10.3 bar)
	Metal Bowl	150 PSIG (10.3 bar)
Operating Temperature	Plastic Bowl	32° to 125°F (0° to 52°C)
	Metal Bowl	32° to 150°F (0° to 65.5°C)
Port Size	NPT / BSPP-G	3/8, 1/2, 3/4
Standard Filtration†	Micron	(B) 0.5, (C) 0.01
		(D) 0.003 ppm wt
Useful Retention‡	oz. (cm ³)	2.89 (84.9)
Weight	lb. (kg)	1.7 (0.8)

* Inlet pressure 150 PSIG (10.3 bar). Pressure drop 3 PSID (0.2 bar).

** Without pressure indicator—max. supply pressure for metal bowl version is 250 PSIG (17.2 bar)

† Filtration temperature of 70°F (21°C) @ 100 PSIG (6.9 bar) with typical compressor lubricating oil and protected by Type C filter.

‡ Useful retention refers to volume below the quiet zone baffle.

"M" Series Coalescing Filters, with Type "B" 0.5 micron elements: All Wilkerson Type "M" Oil Removal (Coalescing) Filters with Type "B" 0.5 micron elements **exceed ISO Class 2** for maximum particle size and concentration of solid contaminants, and exceed Class 3 on maximum oil content (ppm/wt).

"M" Series Coalescing Filters, with Type "C" 0.01 micron elements: All Wilkerson Type "M" Oil Removal (Coalescing) Filters with Type "C" 0.01 micron elements **exceed ISO Class 1** for maximum particle size and concentration of solid contaminants, and exceed Class 1 on maximum oil content (ppm/wt).

"M" Series Adsorption Filters, with Type "D" 0.003 micron activated carbon elements: All Wilkerson Type "M" adsorption filters with Type "D" 0.003 micron activated carbon elements **exceed ISO Class 1** on maximum oil content (ppm/wt).

Materials of Construction

Body	Zinc	
Body Cap	ABS	
Bowls	Plastic Bowl	Polycarbonate
	Metal Bowl	Aluminum
Filter Element	Type "B", "C"	Borosilicate Cloth
	Type "D"	Activated Carbon
Seals	Nitrile	
Sight Gauge	Metal Bowl	Polyamide (Nylon)

Dimensions

Models	Inches (mm)	A	B	C	D	D ₁	E	E ₁	F	G	G ₁
Standard Unit M28-XX-CK00		2.90 (74)	2.90 (74)	1.90 (48)	7.35 (187)	—	9.25 (235)	—	2.00 (51)	1.40 (36)	—
Automatic Drain M28-XX-CG00		2.90 (74)	2.90 (74)	1.90 (48)	6.99 (178)	—	9.02 (229)	—	2.00 (51)	1.40 (36)	—
Electronic Differential Pressure Indicator		2.90 (74)	2.90 (74)	—	7.35 (187)	2.68 (68)	—	10.07 (256)	2.00 (51)	1.40 (36)	.43 (11)
Metal Bowl with Sight Gauge / Automatic Drain		2.90 (74)	3.23 (82)	1.90 (48)	6.99 (178)	—	9.02 (229)	—	2.00 (51)	1.40 (36)	—
Metal Bowl with Sight Gauge / Manual Drain		2.90 (74)	3.23 (82)	1.90 (48)	7.35 (187)	—	9.25 (235)	—	2.00 (51)	1.40 (36)	—

= "Most Popular"

Replacement Bowl Kits

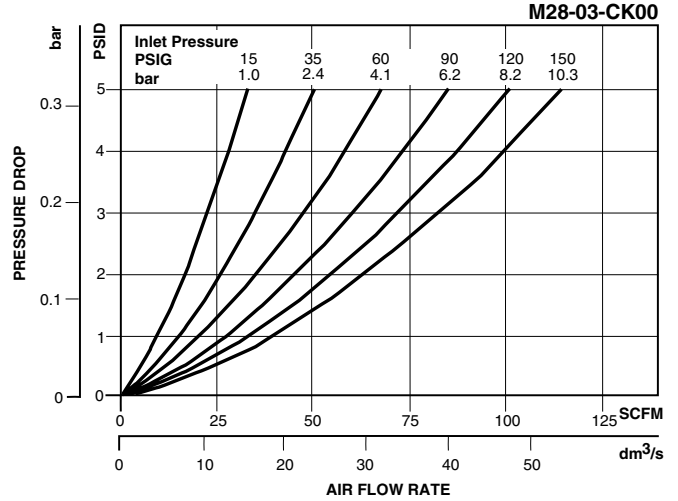
- Metal Bowl with Sight Gauge,
Automatic Float Drain..... GRP-96-645
- Metal Bowl with Sight Gauge, Manual Drain..... GRP-96-644
- Plastic Bowl –
Bowl Guard, Auto Drain..... GRP-96-643
- Bowl Guard, Manual Drain..... GRP-96-642
- Bowl Guard, No Drain..... GRP-96-652

Replacement Element Kits

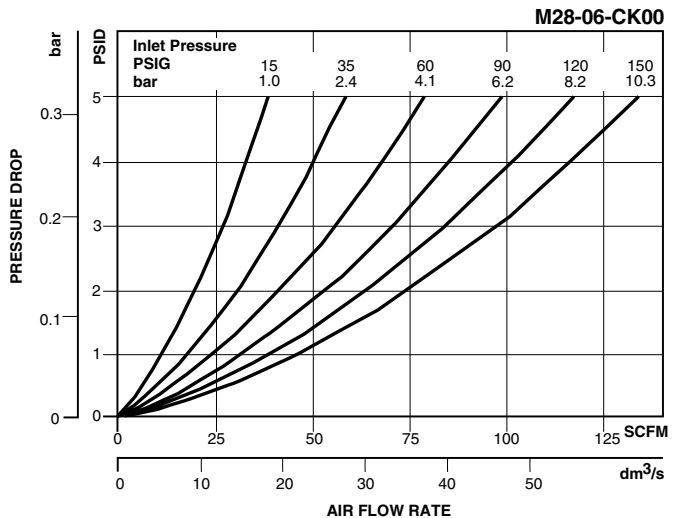
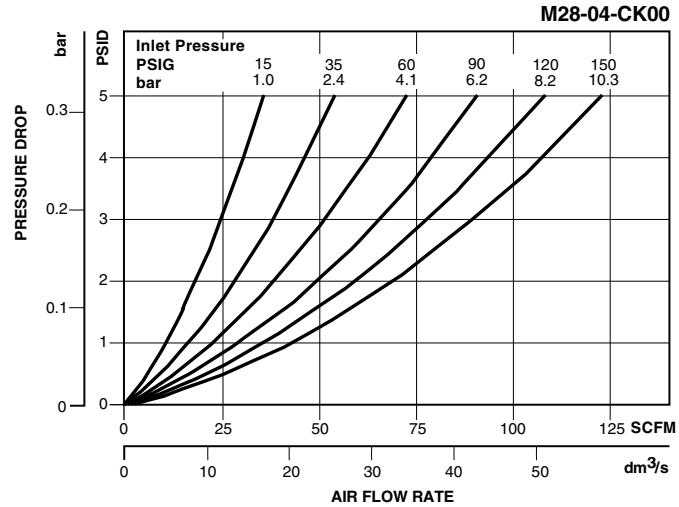
- Type "B", 0.5 Micron..... MSP-96-649
- Type "C", 0.01 Micron..... MTP-96-648
- Type "D", 0.003 Micron Activated Carbon..... MXP-96-651

Accessories

- Automatic Drain –
Fluorocarbon..... GRP-95-981
- Nitrile..... GRP-95-973
- DPI Replacement Kit..... DP8-01-000
- Electronic DPI Conversion Kit..... GRP-96-823
(Converts visual DPI to electronic DPI)
- Electronic DPI Replacement Kit..... GRP-96-824
- Manual Drain..... GRP-96-685
- Sight Gauge Kit..... GRP-96-825
- Wall Mounting Bracket–
L-Type..... GPA-96-605
- T-Type..... GPA-96-602



B



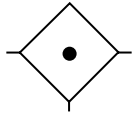
Ordering Information

Model Type	Port Size	Plastic Bowl / Bowl Guard / C Element	Plastic Bowl / Bowl Guard / B Element	Plastic Bowl / Bowl Guard / D Element	Metal Bowl / Sight Gauge / C Element	Metal Bowl / Sight Gauge / B Element	Metal Bowl / Sight Gauge / D Element
Manual Drain	3/8	M28-03-CK00	M28-03-BK00	M28-03-DK00	M28-03-CL00	M28-03-BL00	M28-03-DL00
	1/2	M28-04-CK00	M28-04-BK00	M28-04-DK00	M28-04-CL00	M28-04-BL00	M28-04-DL00
	3/4	M28-06-CK00	M28-06-BK00	M28-06-DK00	M28-06-CL00	M28-06-BL00	M28-06-DL00
Automatic Drain	3/8	M28-03-CG00	M28-03-BG00	N/A	M28-03-CH00	M28-03-BH00	N/A
	1/2	M28-04-CG00	M28-04-BG00	N/A	M28-04-CH00	M28-04-BH00	N/A
	3/4	M28-06-CG00	M28-06-BG00	N/A	M28-06-CH00	M28-06-BH00	N/A

Options - To order an option supplied with the unit model, add the appropriate coded suffix letter in the designated position of the model number.

Coalescing Filter

M39



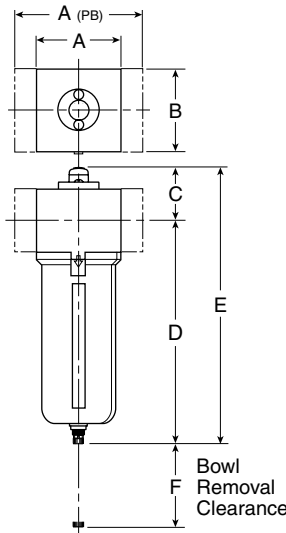
Coalescing Filter



M39-08-CL00

Features

- High-efficiency Removal of Water, Oil Aerosols, and Solid Particulate Contaminants Down to 0.01 ppm/wt with Minimum Pressure Drop
- Modern Design and Appearance
- Pressure Differential Indicator Standard
- 3/4" and 1" NPT Ports
- High Flow Capacity
- Quick-disconnect Bowl
- Port Blocks for BSPP Thread and 1-1/2" Port



Dimensions

Models	Inches (mm)	A	A (PB)	B	C	D [†]	E [†]	F
Standard Unit M39-XX-CL00		3.62 (92)	5.91 (150)	3.62 (92)	2.30 (58)	9.57 (243)	11.90 (302)	4.92 (125)

[†] With Manual Drain or Internal Auto Drain

= "Most Popular"

Specifications

Flow Capacity*	3/4	115 SCFM (54 dm ³ /s)
	1	120 SCFM (57 dm ³ /s)
Maximum Supply Pressure	Metal Bowl	250 PSIG (17 bar)
Operating Temperature		32° to 175°F (0° to 80°C)
Port Size	NPT	3/4, 1
Standard Filtration	Micron	(B) 0.5, (C) 0.01
Useful Retention**	oz. (cm ³)	2.89 (84.9)
Weight	lb. (kg)	3.5 (1.6)

* Inlet pressure 101.5 PSIG (7 bar). Pressure drop 3 PSID (0.2 bar).

** Useful retention refers to useable bowl capacity below the element.

"M39" Series Coalescing Filters, with Type "B" 0.7 micron elements: Wilkerson Type "M39" Oil Removal (Coalescing) Filters with Type "B" 0.7 micron elements **exceed ISO Class 2** for maximum particle size and concentration of solid contaminants, and exceed Class 3 on maximum oil content (ppm/wt).

"M" Series Coalescing Filters, with Type "C" 0.01 micron elements: All Wilkerson Type "M" Oil Removal (Coalescing) Filters with Type "C" 0.01 micron elements **exceed ISO Class 1** for maximum particle size and concentration of solid contaminants, and exceed Class 1 on maximum oil content (ppm/wt).

Materials of Construction

Body	Aluminum
Bowls	Aluminum
Filter Element	Type "B", "C" Borosilicate & Felt Glass Fibers
Seals	Nitrile
Sight Gauge	Polyamide (Nylon)

= "Most Popular"

Replacement Bowl Kits

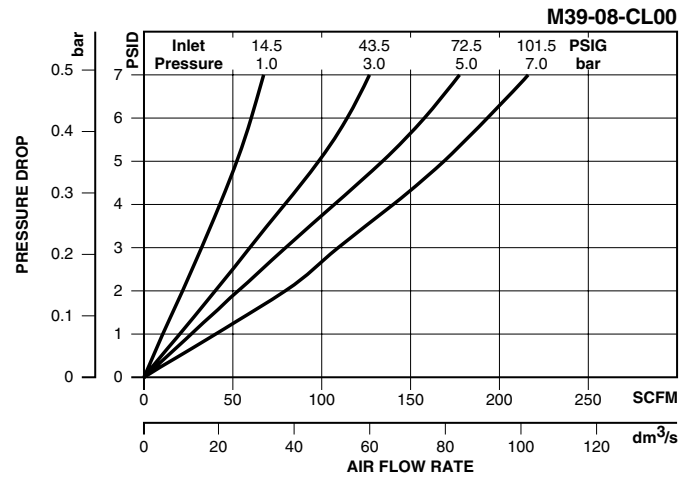
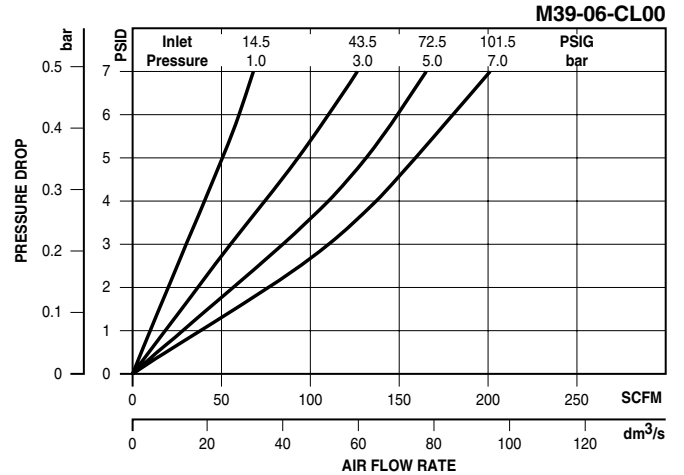
- Metal Bowl –
- Sight Gauge / Internal Auto Drain P3NKA00BSA
- Sight Gauge / Manual Drain.....P3NKA00BSM

Replacement Element Kits

- Type "B", 0.7 Micron.....P3NKA00ES9
- Type "C", 0.01 Micron..... P3NKA00ESC

Accessories

- Bowl Latch Kit C11A33
- DPI Replacement Kit PS781
- Drain Kit –
- Internal Auto DrainPS506
- Manual Drain PS512
- Mounting Bracket Kit P3NKA00MW
- Sight Gauge KitP3NKA00PE



Ordering Information

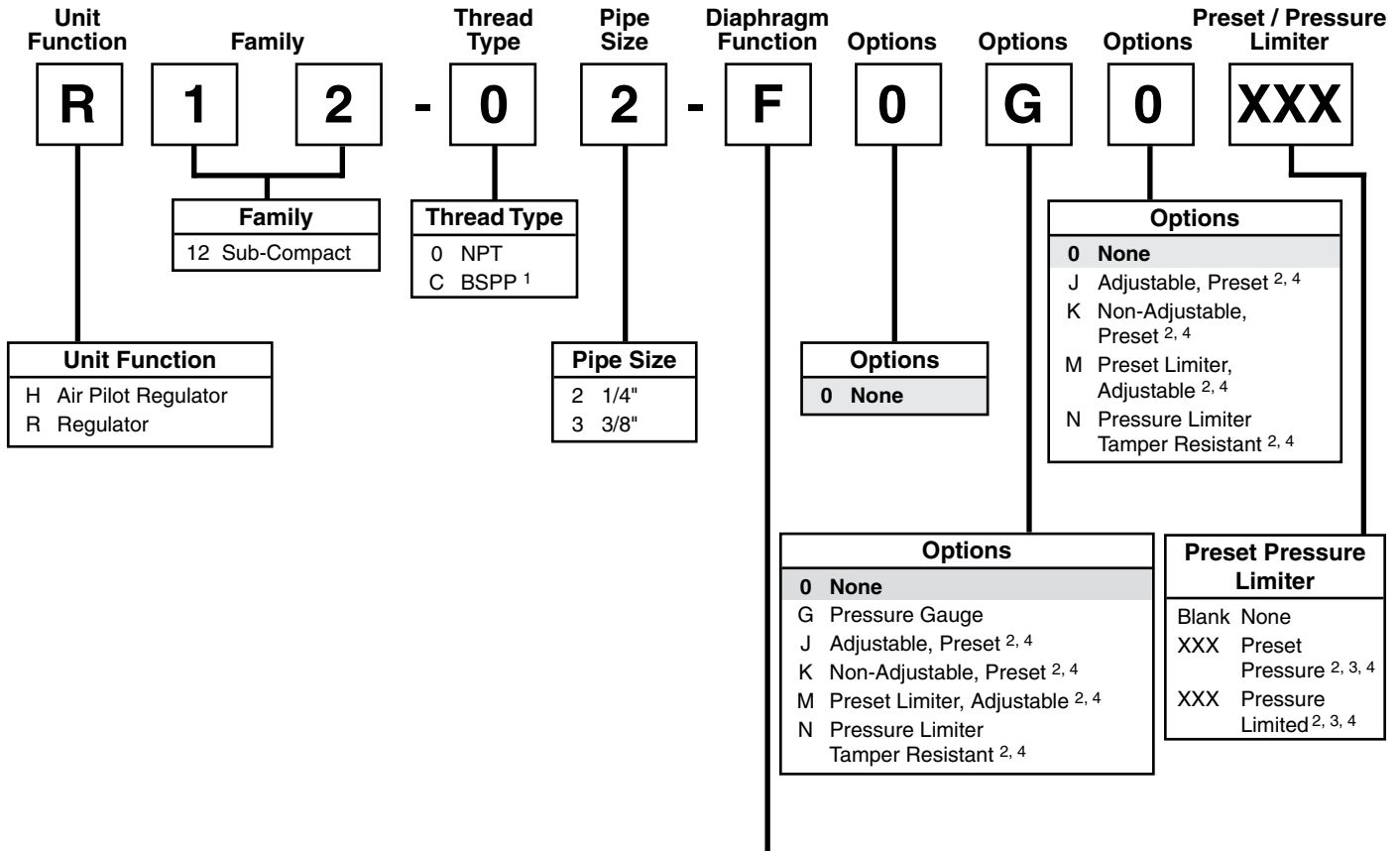
Model Type	Port Size	Metal Bowl / Sight Gauge
Manual Drain	3/4	M39-06-CL00
	1	M39-08-CL00
Automatic Drain	3/4	M39-06-CH00
	1	M39-08-CH00

Options - To order an option supplied with the unit model, add the appropriate coded suffix letter in the designated position of the model number.

B

Regulator Numbering System (12 Series)

 = "Most Popular"



Diaphragm Function	Fluorocarbon	Spring Range			
		0 to 30 PSIG (0 to 2.1 bar)	0 to 60 PSIG (0 to 4.1 bar)	0 to 125 PSIG (0 to 8.6 bar)	0 to 200 PSIG (0 to 13.7 bar)
Relieving	No	C	D	F	H
	Yes	J	K	L	N
Non-relieving	No	P	W	R	T
	Yes	V	X	Y	U
H12 Pilot Regulator					
Relieving ⁵	—	—	—	0	—
Non-relieving ⁵	—	—	—	N	—

¹ ISO, R228 (G Series).
² Inlet pressure is 100 PSIG. For other pressures, contact factory.
³ Available Preset / Pressure Limited Range, 10 to 90 PSIG in 5 PSIG increments. For higher pressures, contact factory. (Example 065 = 65 PSIG)
 Spring Type by Preset / Limited Pressure:
 For Preset / Limited Pressure 10 to 25 use 30 PSI Spring
 For Preset / Limited Pressure 26 to 50 use 60 PSI Spring
 For Preset / Limited Pressure 51 to 120 use 125 PSI Spring
 For Preset / Limited Pressure 121 to 190 use 200 PSI Spring

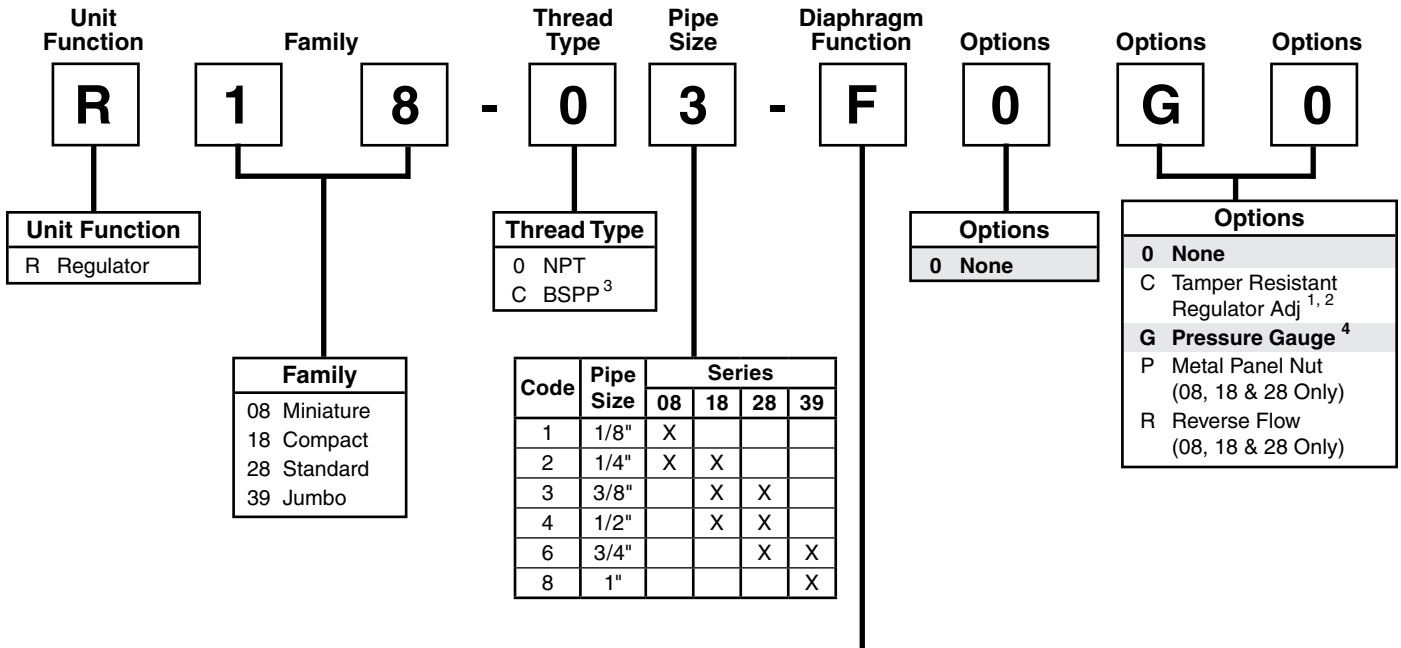
⁴ Not available on "H" Series Air Pilot Regulator.
⁵ Available Only on "H" Series Air Pilot Regulator.

NOTE: When selecting from the options columns, please enter letters in alphabetical order for positions 7, 8, and 9. For example:

R 1 2 - 0 2 - F 0 G 0

Regulator Numbering System

 = "Most Popular"



B

Diaphragm Function ⁵	Fluorocarbon ¹	Spring Range				
		0 to 30 PSIG ¹ (0 to 2.1 bar)	0 to 60 PSIG ¹ (0 to 4.1 bar)	0 to 125 PSIG (0 to 8.6 bar)	0 to 200 PSIG ^{1, 6} (0 to 13.7 bar)	0 to 250 PSIG ^{1, 6} (0 to 17.2 bar)
Relieving	No	C	D	F	H	G
	Yes	J	K	L	N	M
Non-relieving	No	P	W	R	T	S
	Yes	V	X	Y	U	Z

¹ Not Available on 39 Series.

² Tamper kit not installed. Kit is shipped loose in carton, for 08, 18 & 28 NPT units.

³ ISO, R228 (G Series).

⁴ For 08 Series only: "G" in position 8 or 9 is for unit with flush mounted pressure gauge. Units without gauge have 1/8" threaded gauge ports, and a center back mounted pressure gauge must be ordered separately.

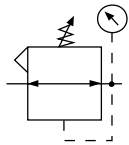
⁵ 39 Series is piston type.

⁶ Not Available on 08 Series.

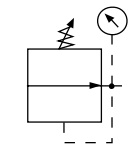
NOTE: When selecting from the options columns, please enter letters in alphabetical order for positions 7, 8, and 9. For example:

R 1 8 - 0 3 - F 0 G 0

Regulator R08



Relieving



Non-Relieving



R08-01-F0G0



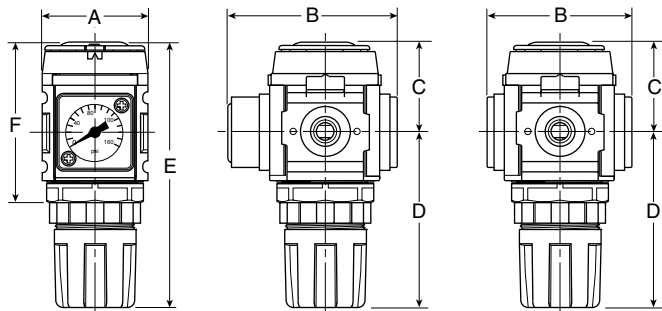
R08-01-F000

Features

- Balanced Valve Design
- 2 Gauge Ports
- Serviceability and Ease of Maintenance
- Unique Flush-mounted Pressure Gauge
- Light Weight
- Modern Design and Appearance

WARNING

**Product rupture can cause serious injury.
Do not connect regulator to bottled gas.
Do not exceed maximum primary pressure rating.**



R08-XX-F0G0

R08-XX-F000

NOTES: Flush mounted gauge kits will not fit units originally purchased with threaded gauge ports.

1.25" Dia. (31.7 mm) hole required for panel nut mounting.

Dimensions

Models	Inches (mm)	A	B	C	D	E	F
Standard Unit R08-XX-F000		1.58 (40)	1.58 (40)	1.34 (34)	2.60 (66)	3.94 (100)	2.40 (61)
With Gauge R08-XX-F0G0		1.58 (40)	2.53 (64)	2.60 (66)	1.34 (34)	3.94 (100)	2.40 (61)

= "Most Popular"

Specifications

Flow Capacity*	1/8	29.2 SCFM (13.5 dm ³ /s)
	1/4	44.0 SCFM (18.9 dm ³ /s)
Adjusting Range Pressure	0 to 30 PSIG (0 to 2.1 bar)	
	0 to 60 PSIG (0 to 4.1 bar)	
	0 to 125 PSIG (0 to 8.6 bar)	

Gauge Port (2 ea.)** NPT	1/8	
Maximum Supply Pressure	300 PSIG (20.7 bar)	
Operating Temperature	32° to 150°F (0° to 65.5°C)	
Port Size	NPT / BSPP-G	1/8, 1/4
Weight	lb. (kg)	.66 (0.3)

* Inlet pressure 100 PSIG (6.9 bar). Secondary pressure 90 PSIG (6.2 bar).

** Non-gauge option only.

Materials of Construction

Adjustment Knob	Acetal
Body	Zinc
Body Cap	ABS
Bonnet	PBT
Bottom Plug	33% Glass-Filled Nylon
Diaphragm Assembly	Brass / Nitrile
Panel Nut	Acetal
Seals	Nitrile
Springs	Steel
Valve Assembly	Brass / Nitrile

CAUTION:

REGULATOR PRESSURE ADJUSTMENT – The working range of knob adjustment is designed to permit outlet pressures within their full range. Pressure adjustment beyond this range is also possible because the knob is not a limiting device. This is a common characteristic of most industrial regulators, and limiting devices may be obtained only by special design.

For best performance, regulated pressure should always be set by increasing the pressure up to the desired setting.

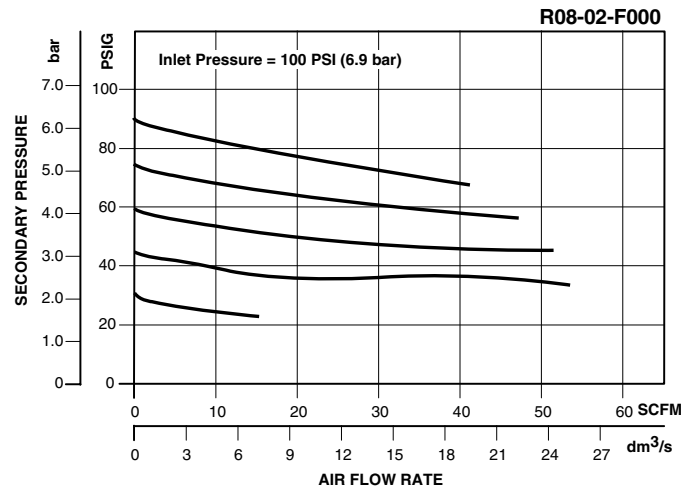
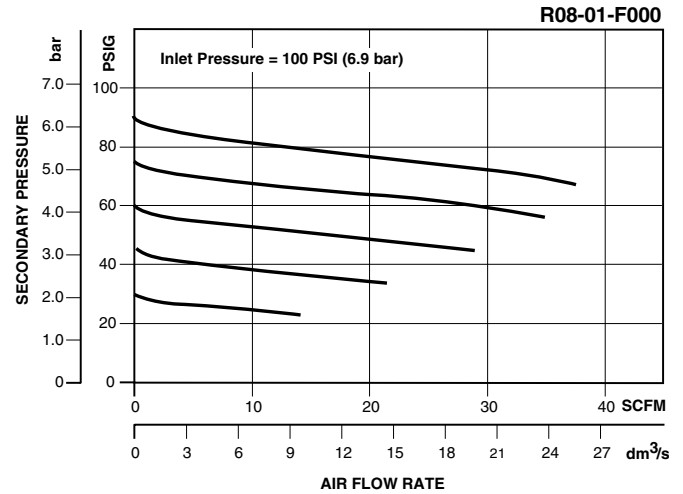
= "Most Popular"

Replacement Kits

- Diaphragm Assembly –
 - Non-relieving GRP-96-726
 - Relieving GRP-96-725
- Spring, Regulating –
 - 0 to 30 PSIG (0 to 2.1 bar) GRP-95-111
 - 0 to 60 PSIG (0 to 4.1 bar) GRP-96-718
 - 0 to 125 PSIG (0 to 8.6 bar) GRP-96-717
- Valve Assembly RRP-96-727
- Valve Spring RRP-96-728

Accessories

- Adjusting Knob RRP-16-005-000
- Bottom Plug RRP-16-383-000
- Gauge Adapter Block, 1/4" NPT, GPA-97-037
Replaces Flush Mount Gauge
- Panel Mount Nut –
 - Aluminum RPA-96-733
 - Plastic RPA-96-734
- Pressure Gauge, Flush Mounted –
 - 0 to 150 PSIG K4511SCR150
 - 0 to 60 PSIG K4511SCR060
 - 0 to 11 bar K4511SCR11B
- Pressure Gauge, 0 to 60 PSIG (0 to 4.1 bar),
1-1/2" Dial Face, 1/8 NPT, CBM K4515N18060
- Pressure Gauge, 0 to 160 PSIG (0 to 11.0 bar),
1-1/2" Dial Face, 1/8 NPT, CBM K4515N18160
- Tamper Resistant Kit RPA-96-735
- Wall Mounting Bracket –
 - C-Type GPA-97-010
 - L-Type GRP-96-739
 - T-Type GPA-96-737



Ordering Information

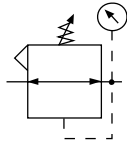
Model Type	Port Size	With Gauge 0 to 125 PSIG (0 to 8.6 bar)	With Gauge 0 to 30 PSIG (0 to 2.1 bar)	With Gauge 0 to 60 PSIG (0 to 4.1 bar)	Without Gauge 0 to 125 PSIG (0 to 8.6 bar)	Without Gauge 0 to 30 PSIG (0 to 2.1 bar)	Without Gauge 0 to 60 PSIG (0 to 4.1 bar)
Relieving	1/8	R08-01-F0G0	R08-01-C0G0	R08-01-D0G0	R08-01-F000	R08-01-C000	R08-01-D000
	1/4	R08-02-F0G0	R08-02-C0G0	R08-02-D0G0	R08-02-F000	R08-02-C000	R08-02-D000
Non-relieving	1/8	R08-01-R0G0	R08-01-P0G0	R08-01-W0G0	R08-01-R000	R08-01-P000	R08-01-W000
	1/4	R08-02-R0G0	R08-02-P0G0	R08-02-W0G0	R08-02-R000	R08-02-P000	R08-02-W000

Options - To order an option supplied with the unit model, add the appropriate coded suffix letter in the designated position of the model number.

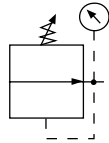
B

Regulator R12

= "Most Popular"



Relieving



Non-Relieving



R12-02-F000

Features

- Secondary Aspiration Plus Balanced Valve Provides Quick Response and Accurate Pressure Regulation
- Rolling Diaphragm for Extended Life
- Removable Non-rising Knob for Panel Mounting and Tamper Resistance
- Easily Serviced
- Reverse Flow

Specifications

Flow Capacity*	1/4	30 SCFM (14.2 dm ³ /s)
	3/8	40 SCFM (18.9 dm ³ /s)
Adjusting Range Pressure	1 to 30 PSIG (0.06 to 2.1 bar)	
	1 to 60 PSIG (0.06 to 4.1 bar)	
	2 to 125 PSIG (0.13 to 8.6 bar)	
	2 to 200 PSIG (0.13 to 13.7 bar)	
Gauge Ports (2x)	NPT / BSPP-G	1/4
Maximum Supply Pressure		250 PSIG (17.2 bar)
Operating Temperature		32° to 175°F (0° to 80°C)
Port Size	NPT / BSPP-G	1/4, 3/8
Weight	lb. (kg)	1.1 (0.49)

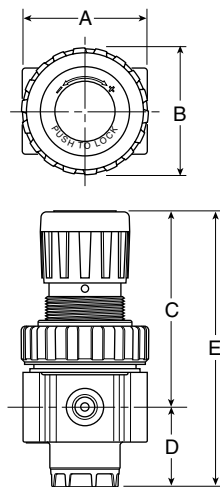
* Inlet pressure 100 PSIG (6.9 bar), no flow secondary pressure set 90 PSIG (6.2 bar), 10 PSIG pressure drop at rated flow.

Materials of Construction

Adjustment Stem	Brass
Body	Zinc
Bonnet	Plastic
Collar & Knob	Plastic
Diaphragm Assembly	Nitrile
Seals	Nitrile
Springs	Valve & Control Steel
Valve & Cap	Plastic

WARNING

**Product rupture can cause serious injury.
Do not connect regulator to bottled gas.
Do not exceed maximum primary pressure rating.**



NOTE: Panel Mount Nut sold separately.
NOTE: 1.53" Dia. (39 mm) hole required for panel nut mounting.

CAUTION:

REGULATOR PRESSURE ADJUSTMENT – The working range of knob adjustment is designed to permit outlet pressures within their full range. Pressure adjustment beyond this range is also possible because the knob is not a limiting device. This is a common characteristic of most industrial regulators, and limiting devices may be obtained only by special design.

For best performance, regulated pressure should always be set by increasing the pressure up to the desired setting.

Dimensions

Model	Inches (mm)	A	B	C	D	E
Standard Unit R12-XX-F000		2.00 (51)	2.06 (52)	3.16 (80)	1.28 (32)	4.44 (113)

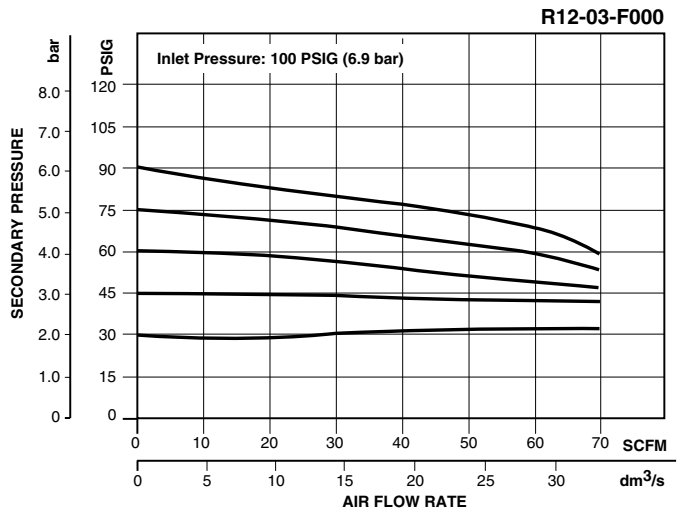
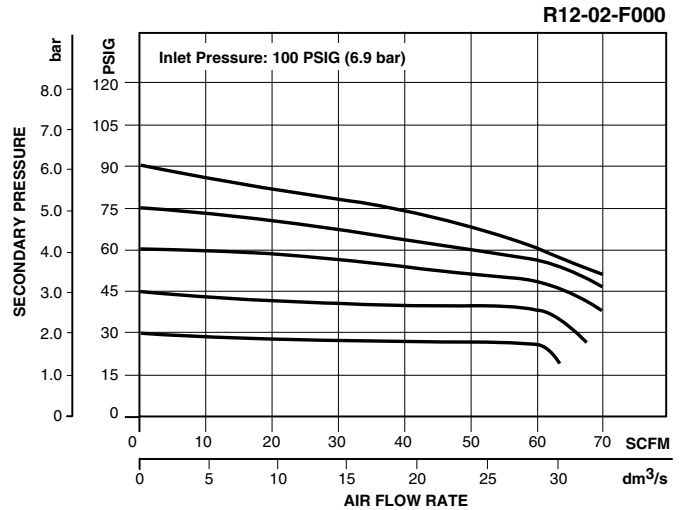
 = "Most Popular"

Replacement Kits

- Bonnet Assembly Kit RRP-96-308
- Control Knob RRP-96-300
- Pressure Gauge -
 - 30 PSIG K4515N14030
 - 60 PSIG K4515N14060
 - 160 PSIG K4515N14160
 - 300 PSIG K4515N14300
- Service Kit –
 - Non-relieving RRP-96-307
 - Relieving RRP-96-306
- Springs, Regulating –
 - 1 to 30 PSIG (0.06 to 2.1 bar) RRP-96-303
 - 1 to 60 PSIG (0.06 to 4.1 bar) RRP-96-302
 - 2 to 125 PSIG (0.13 to 8.6 bar) RRP-96-301
 - 2 to 200 PSIG (0.13 to 17.2 bar) RRP-96-304

Accessories

- Mounting Bracket Kit (With Panel Mount Nut) GPA-96-313
- Panel Mount Nut, Metal GPA-96-314



Ordering Information

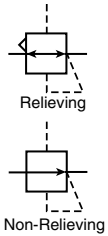
Model Type	Port Size	With Gauge 2 to 125 PSIG (0.13 to 8.6 bar)	Without Gauge 2 to 125 PSIG (0.13 to 8.6 bar)
Relieving	1/4	R12-02-F0G0	R12-02-F000
	3/8	R12-03-F0G0	R12-03-F000
Non-relieving	1/4	R12-02-R0G0	R12-02-R000
	3/8	R12-03-R0G0	R12-03-R000

Options - To order an option supplied with the unit model, add the appropriate coded suffix letter in the designated position of the model number.

B

Air Piloted Regulator H12

 = "Most Popular"



H12-02-0000

Features

- Unique balanced valve minimizes secondary pressure fluctuations.
- Solid control piston with resilient seat for service-free operation.
- Easily serviced.

Specifications

Flow Capacity *	1/4	50 SCFM
	3/8	50 SCFM
Gauge Ports (2x)	NPT / BSPP-G	1/4
Operating Pressure Range	0 to 250 PSIG (0 to 17.2 bar)	
Operating Temperature	32°F to 175°F (0°C to 80°C)	
Pilot Port	NPT / BSPP-G	1/8
Port Size	NPT / BSPP-G	1/4, 3/8
Weight	lb. (kg)	.90 (0.41)

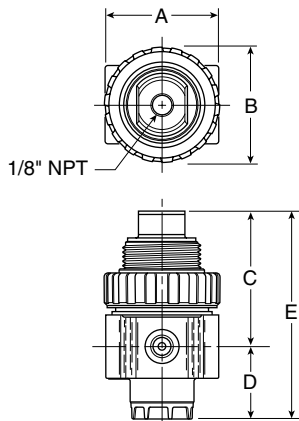
* Inlet pressure 100 PSIG (7 bar), no flow secondary pressure set 90 PSIG (6.2 bar), 10 PSIG pressure drop at rated flow.

Materials of Construction

Body	Zinc
Piston & Valve	Plastic
Seals	Nitrile
Spring (Valve)	Steel

WARNING

**Product rupture can cause serious injury.
Do not connect regulator to bottled gas.
Do not exceed maximum primary pressure rating.**



NOTE: Panel Mount Nut sold separately.
NOTE: 1.53" Dia. (39 mm) hole required for panel nut mounting.

CAUTION:

REGULATOR PRESSURE ADJUSTMENT – The working range of knob adjustment is designed to permit outlet pressures within their full range. Pressure adjustment beyond this range is also possible because the knob is not a limiting device. This is a common characteristic of most industrial regulators, and limiting devices may be obtained only by special design.

For best performance, regulated pressure should always be set by increasing the pressure up to the desired setting.

Dimensions

Model	Inches (mm)	A	B	C	D	E
Air Piloted Unit H12-02-0000		2.00 (51)	2.06 (52)	2.43 (61)	1.28 (32)	3.71 (93)

 = "Most Popular"

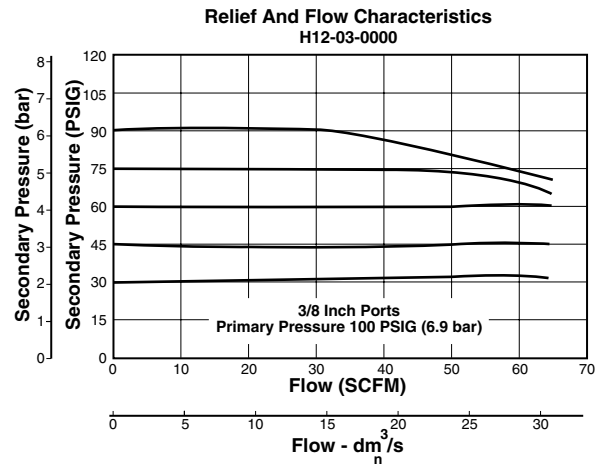
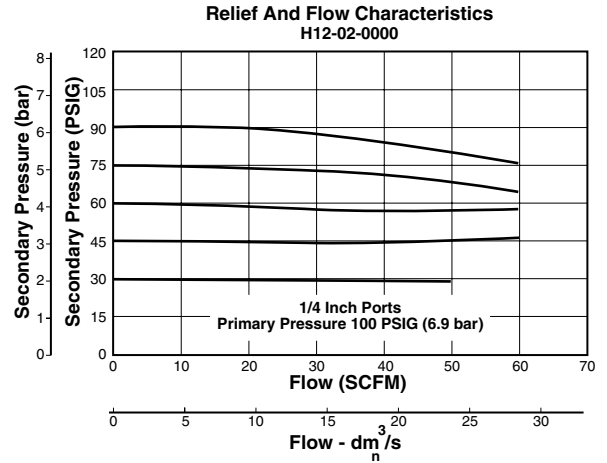
Replacement Kits

- Pressure Gauge –
 30 PSIG K4515N14030
 60 PSIG K4515N14060
 160 PSIG K4515N14160
 300 PSIG K4515N14300

- Service Kit –
 Non-Relieving RRP-96-309
 Relieving RRP-96-310

Accessories

- Mounting Bracket Kit (With Panel Mount Nut).....GPA-96-313
 Panel Mount Nut, Metal.....GPA-96-314



Ordering Information

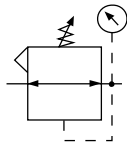
Model Type	Port Size	With Gauge 2 to 125 PSIG (0 to 8.6 bar)	Without Gauge 2 to 125 PSIG (0 to 8.6 bar)
Relieving	1/4	H12-02-00G0	H12-02-0000
	3/8	H12-03-00G0	H12-03-0000

Options - To order an option supplied with the unit model, add the appropriate coded suffix letter in the designated position of the model number.

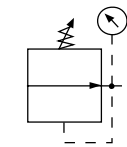
B

Regulator

R18



Relieving



Non-Relieving



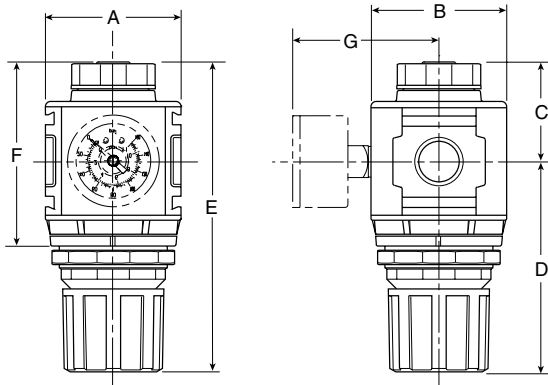
R18-02-F0G0

Features

- Balanced Valve Design
- Spring-loaded Diaphragm
- 4 Adjusting Pressure Ranges Available
- 1/2" NPT / BSPP-G Over-port
- Reverse-flow Available
- 2 Gauge Ports

⚠ WARNING

**Product rupture can cause serious injury.
Do not connect regulator to bottled gas.
Do not exceed maximum primary pressure rating.**



NOTE: 2" Dia. (51 mm) hole required for panel nut mounting.

Dimensions

Models	Inches (mm)	A	B	C	D	E	F	G
Standard Unit R18-XX-F000		2.36 (60)	2.36 (60)	1.74 (44)	3.66 (93)	5.35 (136)	3.10 (78.7)	—
With Gauge R18-XX-F0G0		2.36 (60)	2.36 (60)	1.74 (44)	3.66 (93)	5.35 (136)	3.10 (78.7)	3.74 (94)

= "Most Popular"

Specifications

Flow Capacity*	1/4	82 SCFM (38.7 dm ³ /s)
	3/8	97 SCFM (45.7 dm ³ /s)
	1/2	97 SCFM (45.7 dm ³ /s)
Adjusting Range Pressure	0 to 30 PSIG (0 to 2.1 bar)	
	0 to 60 PSIG (0 to 4.1 bar)	
	0 to 125 PSIG (0 to 8.6 bar)	
	0 to 250 PSIG (0 to 17.2 bar)	

Gauge Port (2 ea.)	NPT / BSPP-G	1/4
Maximum Supply Pressure	300 PSIG (21 bar)	
Operating Temperature	32° to 150°F (0° to 65.5°C)	
Port Size	NPT / BSPP-G	1/4, 3/8, 1/2
Weight	lb. (kg)	1.16 (0.5)

* Inlet pressure 100 PSIG (6.9 bar). Secondary pressure 90 PSIG (6.2 bar).

Materials of Construction

Adjustment Knob	Acetal	
Body	Zinc	
Body Cap	ABS	
Bonnet	33% glass-filled nylon	
Bottom Plug	33% Glass-filled Nylon	
Diaphragm Assembly	Nitrile / Zinc	
Valve Assembly	Brass / Nitrile	
Panel Nut	Acetal	
Seals	Nitrile	
Springs	Main Regulating Valve	Steel S.S.

CAUTION:

REGULATOR PRESSURE ADJUSTMENT – The working range of knob adjustment is designed to permit outlet pressures within their full range. Pressure adjustment beyond this range is also possible because the knob is not a limiting device. This is a common characteristic of most industrial regulators, and limiting devices may be obtained only by special design.

For best performance, regulated pressure should always be set by increasing the pressure up to the desired setting.

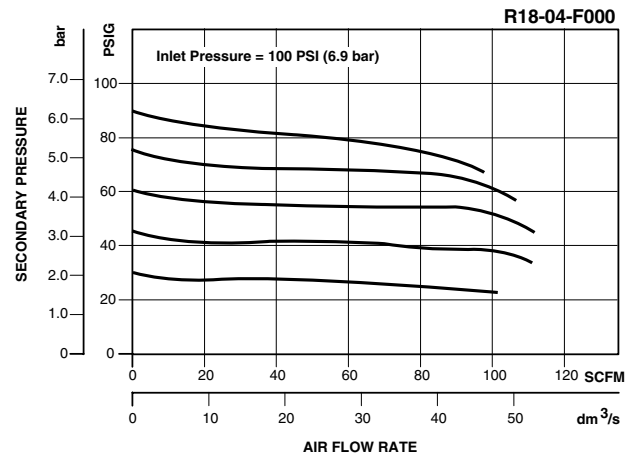
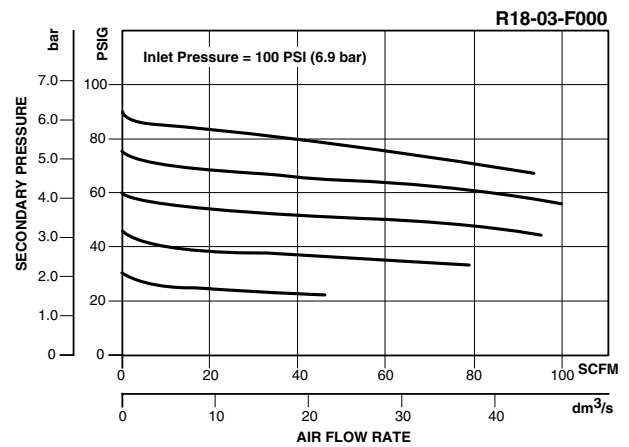
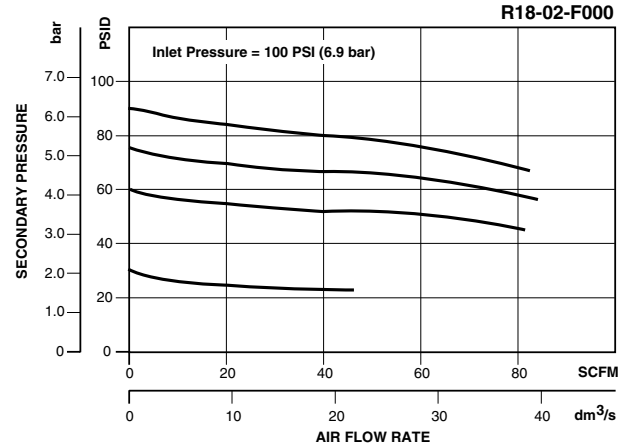
= "Most Popular"

Replacement Kits

- Adjusting Knob RRP-16-340-000
- Diaphragm Assembly –
 - Non-relieving RRP-96-657
 - Relieving RRP-96-656
- Spring, Regulating –
 - 0 to 30 PSIG (0 to 2.1 bar) RRP-96-659
 - 0 to 60 PSIG (0 to 4.1 bar) RRP-96-660
 - 0 to 125 PSIG (0 to 8.6 bar) RRP-96-661
 - 0 to 250 PSIG (0 to 17.2 bar) RRP-96-662
- Valve Assembly RRP-96-658

Accessories

- Panel Mount Nut –
 - Aluminum RRP-96-673
 - Plastic RRP-96-675
- Pressure Gauge –
 - 0-30 PSIG, 1-1/2" Dial Face, 1/4 NPT CBM K4515N14030
 - 0-60 PSIG, 1-1/2" Dial Face, 1/4 NPT CBM K4515N14060
 - 0-160 PSIG, 1-1/2" Dial Face, 1/4 NPT CBM K4515N14160
 - 0-300 PSIG, 1-1/2" Dial Face, 1/4 NPT CBM K4515N14300
 - 0-2.0 bar, 1-1/2" Dial Face, G 1/4 CBM K4515G14030
 - 0-4.1 bar, 1-1/2" Dial Face, G 1/4 CBM K4515G14060
 - 0-11 bar, 1-1/2" Dial Face, G 1/4 CBM K4515G14160
 - 0-21 bar, 1-1/2" Dial Face, G 1/4 CBM K4515G14290
- Tamper Resistant Kit RRP-96-671
- Wall Mounting Bracket –
 - L-Type GPA-96-606
 - T-Type GPA-96-602



Ordering Information

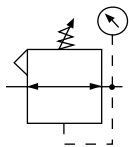
Model Type	Port Size	With Gauge 5 to 125 PSIG (0.4 to 8.6 bar)	With Gauge 10 to 250 PSIG (0.7 to 17.2 bar)	With Gauge 3 to 60 PSIG (0.2 to 4.1 bar)	Without Gauge 5 to 125 PSIG (0.4 to 8.6 bar)	Without Gauge 10 to 250 PSIG (0.7 to 17.2 bar)	Without Gauge 3 to 60 PSIG (0.2 to 4.1 bar)
Relieving	1/4	R18-02-F0G0	R18-02-G0G0	R18-02-D0G0	R18-02-F000	R18-02-G000	R18-02-D000
	3/8	R18-03-F0G0	R18-03-G0G0	R18-03-D0G0	R18-03-F000	R18-03-G000	R18-03-D000
	1/2	R18-04-F0G0	R18-04-G0G0	R18-04-D0G0	R18-04-F000	R18-04-G000	R18-04-D000
Non-relieving	1/4	R18-02-R0G0	R18-02-S0G0	R18-02-W0G0	R18-02-R000	R18-02-S000	R18-02-W000
	3/8	R18-03-R0G0	R18-03-S0G0	R18-03-W0G0	R18-03-R000	R18-03-S000	R18-03-W000
	1/2	R18-04-R0G0	R18-04-S0G0	R18-04-W0G0	R18-04-R000	R18-04-S000	R18-04-W000

Options - To order an option supplied with the unit model, add the appropriate coded suffix letter in the designated position of the model number.

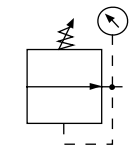
B

Regulator

R28



Relieving



Non-Relieving



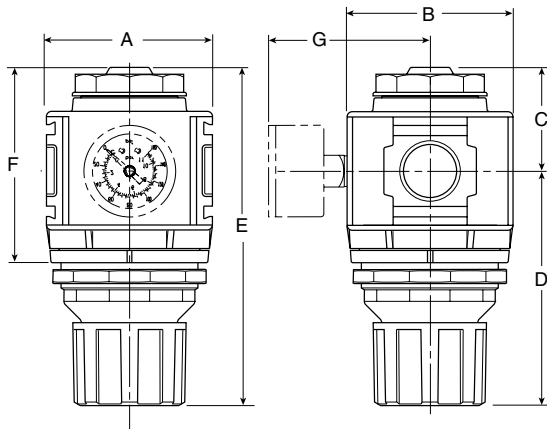
R28-03-F0G0

Features

- Balanced Valve Design
- Spring-loaded Diaphragm
- 4 Adjusting Pressure Ranges Available
- 3/4" NPT / BSPP-G Over-port
- Reverse-flow Available
- 2 Gauge Ports

WARNING

**Product rupture can cause serious injury.
Do not connect regulator to bottled gas.
Do not exceed maximum primary pressure rating.**



NOTE: 2.4" Dia. (61 mm) hole required for panel nut mounting.

Dimensions

Models	Inches (mm)	A	B	C	D	E	F	G
Standard Unit R28-XX-F000		2.90 (73)	2.90 (73)	1.74 (44)	4.16 (105)	5.87 (149)	3.30 (84)	—
With Gauge R28-XX-F0G0		2.90 (73)	2.90 (73)	1.74 (44)	4.16 (105)	5.87 (149)	3.30 (84)	4.27 (108)

= "Most Popular"

Specifications

Flow Capacity*	3/8	162 SCFM (76.5 dm ³ /s)
	1/2	170 SCFM (80.2 dm ³ /s)
	3/4	176 SCFM (83.1 dm ³ /s)
Adjusting Range Pressure	0 to 30 PSIG (0 to 2.1 bar)	
	0 to 60 PSIG (0 to 4.1 bar)	
	0 to 125 PSIG (0 to 8.6 bar)	
	0 to 250 PSIG (0 to 17.2 bar)	

Gauge Port (2 ea.)	NPT / BSPP-G	1/4
Maximum Supply Pressure		300 PSIG (20.7 bar)
Operating Temperature		32° to 150°F (0° to 65.5°C)
Port Size	NPT / BSPP-G	3/8, 1/2, 3/4
Weight	lb. (kg)	1.7 (0.77)

* Inlet pressure 100 PSIG (6.9 bar). Secondary pressure 90 PSIG (6.2 bar).

Materials of Construction

Adjustment Knob		Acetal
Body		Zinc
Body Cap		ABS
Bonnet		33% Glass-filled Nylon
Diaphragm Assembly		
Nitrile / Zinc		
Panel Nut		Acetal
Seals		Nitrile
Springs	Main Regulating Valve	Steel Stainless Steel
Valve Assembly		Brass / Nitrile / Acetal

CAUTION:

REGULATOR PRESSURE ADJUSTMENT – The working range of knob adjustment is designed to permit outlet pressures within their full range. Pressure adjustment beyond this range is also possible because the knob is not a limiting device. This is a common characteristic of most industrial regulators, and limiting devices may be obtained only by special design.

For best performance, regulated pressure should always be set by increasing the pressure up to the desired setting.

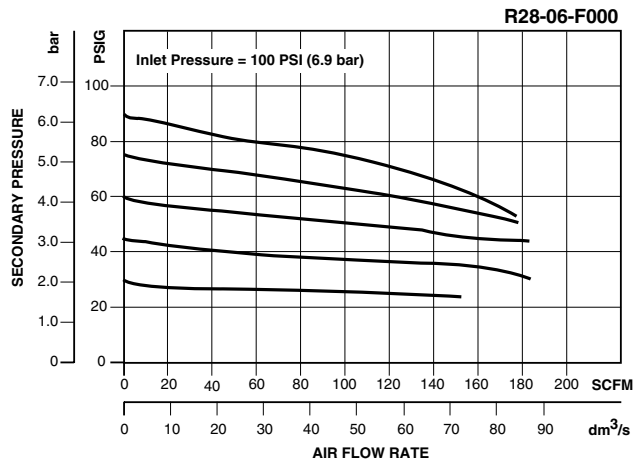
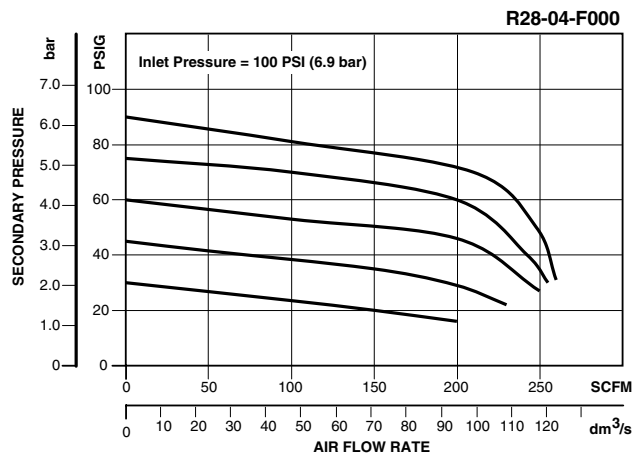
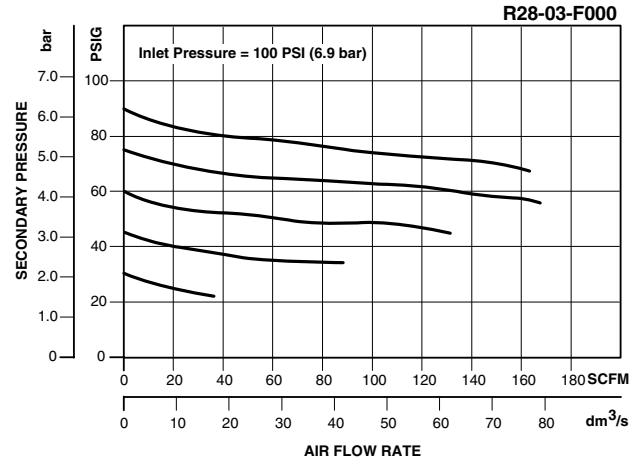
 = "Most Popular"

Replacement Kits

- Diaphragm Assembly –
 - Non-relieving RRP-96-987
 - Relieving RRP-96-986
- Valve Assembly RRP-96-049
- Adjusting Knob RRP-16-341-000
- Spring, Regulating
 - 0 to 30 PSIG (0 to 2.1 bar) RRP-96-163
 - 0 to 60 PSIG (0 to 4.1 bar) RRP-96-164
 - 0 to 125 PSIG (0 to 8.6 bar) RRP-96-165
 - 0 to 250 PSIG (0 to 17.2 bar) RRP-96-166

Accessories

- Panel Mount Nut –
 - Aluminum RRP-96-674
 - Plastic RRP-96-676
- Pressure Gauge –
 - 0-30 PSIG, 1-1/2" Dial Face, 1/4 NPT CBM K4515N14030
 - 0-60 PSIG, 1-1/2" Dial Face, 1/4 NPT CBM K4515N14060
 - 0-160 PSIG, 1-1/2" Dial Face, 1/4 NPT CBM K4515N14160
 - 0-300 PSIG, 1-1/2" Dial Face, 1/4 NPT CBM K4515N14300
 - 0-2,0 bar, 1-1/2" Dial Face, G 1/4 CBM K4515G14030
 - 0-4,1 bar, 1-1/2" Dial Face, G 1/4 CBM K4515G14060
 - 0-11 bar, 1-1/2" Dial Face, G 1/4 CBM K4515G14160
 - 0-21 bar, 1-1/2" Dial Face, G 1/4 CBM K4515G14290
- Tamper Resistant Kit RRP-96-672
- Wall Mounting Bracket
 - L-Type GPA-96-607
 - T-Type GPA-96-602



Ordering Information

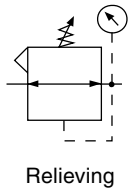
Model Type	Port Size	With Gauge 5 to 125 PSIG (0.4 to 8.6 bar)	With Gauge 10 to 250 PSIG (0.7 to 17.2 bar)	With Gauge 3 to 60 PSIG (0.2 to 4.1 bar)	Without Gauge 5 to 125 PSIG (0.4 to 8.6 bar)	Without Gauge 10 to 250 PSIG (0.7 to 17.2 bar)	Without Gauge 3 to 60 PSIG (0.2 to 4.1 bar)
Relieving	3/8	R28-03-F0G0	R28-03-G0G0	R28-03-D0G0	R28-03-F000	R28-03-G000	R28-03-D000
	1/2	R28-04-F0G0	R28-04-G0G0	R28-04-D0G0	R28-04-F000	R28-04-G000	R28-04-D000
	3/4	R28-06-F0G0	R28-06-G0G0	R28-06-D0G0	R28-06-F000	R28-06-G000	R28-06-D000
Non-relieving	3/8	R28-03-R0G0	R28-03-S0G0	R28-03-W0G0	R28-03-R000	R28-03-S000	R28-03-W000
	1/2	R28-04-R0G0	R28-04-S0G0	R28-04-W0G0	R28-04-R000	R28-04-S000	R28-04-W000
	3/4	R28-06-R0G0	R28-06-S0G0	R28-06-W0G0	R28-06-R000	R28-06-S000	R28-06-W000

Options - To order an option supplied with the unit model, add the appropriate coded suffix letter in the designated position of the model number.

B

Regulator

R39



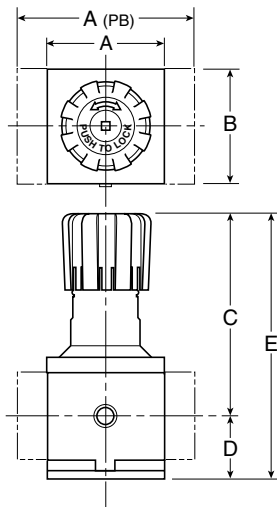
R39-06-F000

Features

- Balanced Valve Design
- Solid Central Piston for Extended Life
- 3/4" and 1" NPT Ports
- Port Blocks Available for BSPP Thread and 1-1/2" Port

WARNING

Product rupture can cause serious injury.
Do not connect regulator to bottled gas.
Do not exceed maximum primary pressure rating.



Dimensions

Model	Inches (mm)	A	A (PB)	B	C	D	E
Standard Unit R39-XX-F000		3.62 (92)	5.91 (150)	3.62 (92)	6.38 (162)	2.08 (53)	8.46 (215)

= "Most Popular"

Specifications

Flow Capacity*	3/4	200 SCFM (94.4 dm ³ /s)
	1	300 SCFM (141.6 dm ³ /s)
Adjusting Range Pressure	0 to 125 PSIG (0 to 8.6 bar)	
Gauge Port	1/4	
Maximum Supply Pressure	250 PSIG (17 bar)	
Operating Temperature	32° to 175°F (0° to 80°C)	
Port Size	NPT	3/4, 1
Weight	lb. (kg)	6.2 (1.9)

* Inlet pressure 100 PSIG (6.9 bar). Secondary pressure 90 PSIG (6.2 bar).

Materials of Construction

Body	Aluminum
Cap & Bonnet	Aluminum
Knob	Plastic
Piston	Plastic
Poppet Assembly	Brass / Nitrile
Springs	Steel
Seals	Nitrile

CAUTION:

REGULATOR PRESSURE ADJUSTMENT – The working range of knob adjustment is designed to permit outlet pressures within their full range. Pressure adjustment beyond this range is also possible because the knob is not a limiting device. This is a common characteristic of most industrial regulators, and limiting devices may be obtained only by special design.

For best performance, regulated pressure should always be set by increasing the pressure up to the desired setting.

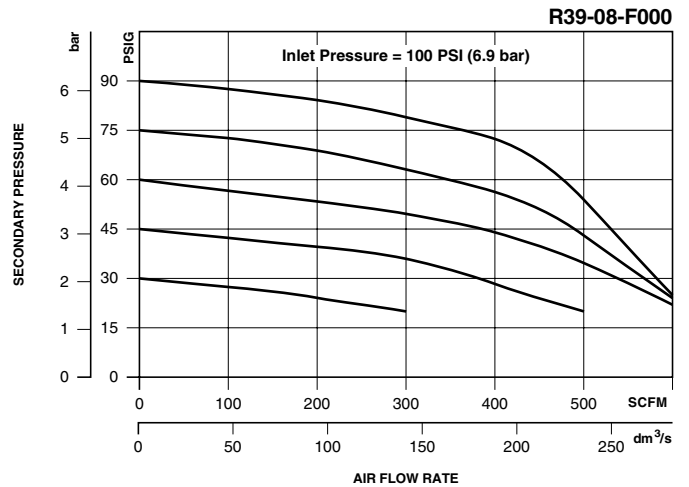
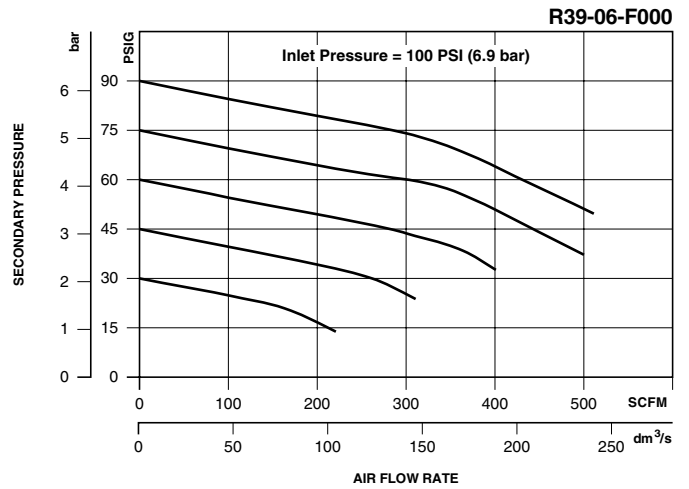
= "Most Popular"

Replacement Kits

- Service Kit –
 Relieving P3NKA00RR
 Non-relieving P3NKA00RN
- Spring, Regulating –
 1 to 60 PSIG (0.06 to 2.1 bar) C10A1304
 2 to 125 PSIG (0.13 to 8.6 bar) C10A1308
 5 to 250 PSIG (0.34 to 17.2 bar) C10A1317

Accessories

- Control Knob P3NKA00PN
- Gauges –
 60 PSIG (0 to 4 bar) K4520N14060
 160 PSIG (0 to 11 bar) K4520N14160
 300 PSIG (0 to 20 bar) K4515N14300
- Mounting Bracket Kit P3NKA00MW



B

Ordering Information

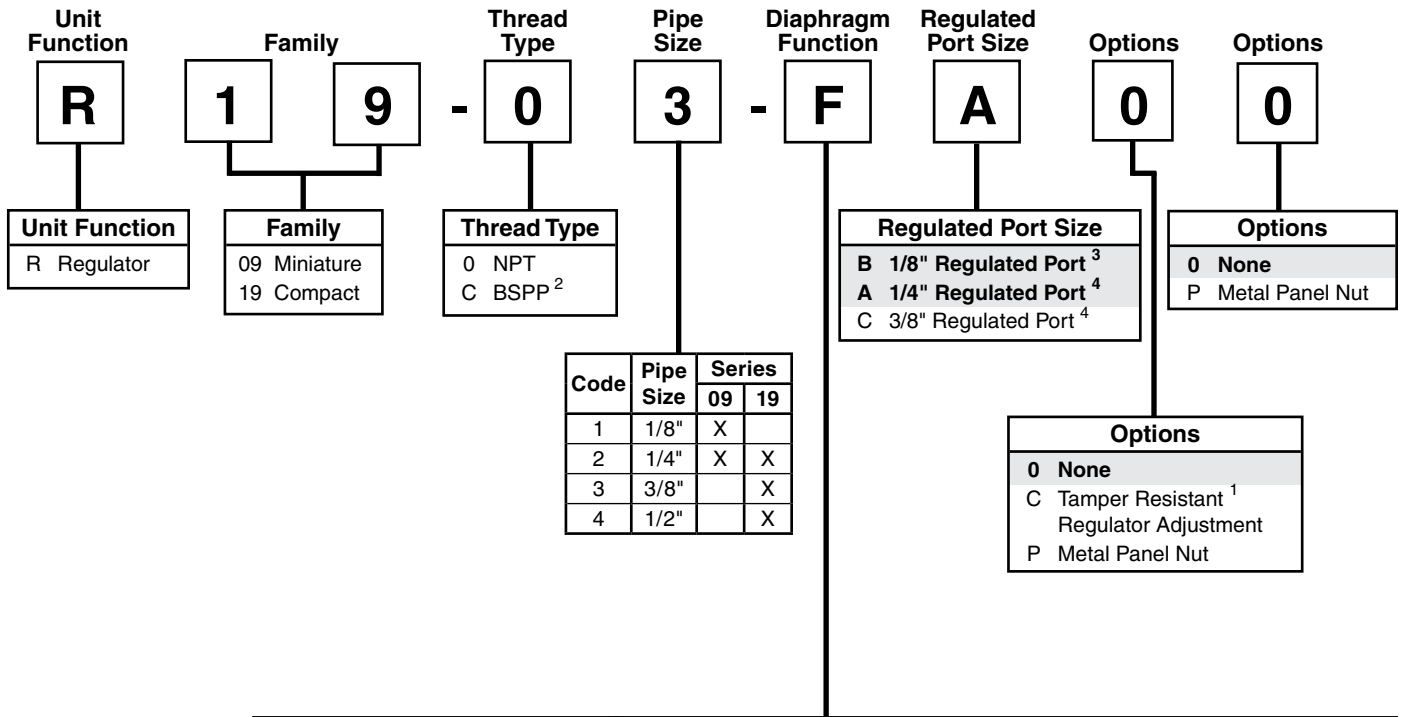
Model Type	Port Size	Without Gauge 2 to 125 PSI (0.13 to 8.6 bar)
Relieving	3/4	R39-06-F000
	1	R39-08-F000

Options - To order an option supplied with the unit model, add the appropriate coded suffix letter in the designated position of the model number.

Notes

Common-P1 Regulator Numbering System

 = "Most Popular"



B

Diaphragm Function	Fluorocarbon	Spring Range			
		0 to 30 PSIG (0 to 2.1 bar)	0 to 60 PSIG (0 to 4.1 bar)	0 to 125 PSIG (0 to 8.6 bar)	0 to 250 PSIG ⁴ (0 to 17.2 bar)
Relieving	No	C	D	F	G
	Yes	J	K	L	M
Non-relieving	No	P	W	R	S
	Yes	V	X	Y	Z

¹ Tamper kit not installed. Kit is shipped loose in carton.

² ISO, R228 (G Series).

³ Not available on R19.

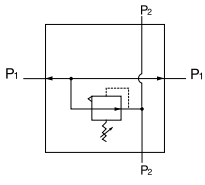
⁴ Not available on R09.

Note: When selecting from the options columns, please enter letters in alphabetical order, for example:

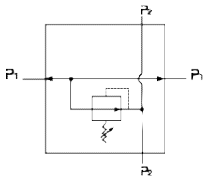
R 19 - 03 - F A 0 0.

Common-P1 Regulator R09

= "Most Popular"



Relieving



Non-Relieving



R09-01-FB00

Features

- Balanced Valve Design
- 2 Regulated Ports
- Ease of Maintenance of Serviceability
- Light Weight
- Modern Design and Appearance

Specifications

Flow Capacity*	1/8	27.0 SCFM (12.7 dm ³ /s)
	1/4	28.5 SCFM (13.4 dm ³ /s)
Adjusting Range Pressure	0 to 30 PSIG (0 to 2.1 bar)	
	0 to 60 PSIG (0 to 4.1 bar)	
	0 to 125 PSIG (0 to 8.6 bar)	
Maximum Supply Pressure	300 PSIG (20.7 bar)	
Operating Temperature	32° to 150°F (0° to 65.5°C)	
P1 Port Size (Inlet / Outlet)	NPT / BSPP-G	1/8, 1/4
P2 Regulated Ports (2 ea.)	NPT / BSPT-Rc	1/8
Weight	lb. (kg)	.66 (0.3)

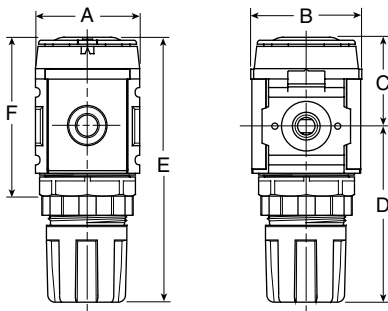
* Inlet pressure 100 PSIG (6.9 bar). Secondary pressure 90 PSIG (6.2 bar).

Materials of Construction

Adjustment Knob	Acetal
Body	Zinc
Body Cap	ABS
Bonnet	33% Glass-filled PBT
Bottom Plug	33% Glass-filled Nylon
Diaphragm Assembly	Brass / Nitrile
Valve Assembly	Brass / Nitrile

WARNING

Product rupture can cause serious injury.
Do not connect regulator to bottled gas.
Do not exceed maximum primary pressure rating.



CAUTION:

REGULATOR PRESSURE ADJUSTMENT – The working range of knob adjustment is designed to permit outlet pressures within their full range. Pressure adjustment beyond this range is also possible because the knob is not a limiting device. This is a common characteristic of most industrial regulators, and limiting devices may be obtained only by special design.

For best performance, regulated pressure should always be set by increasing the pressure up to the desired setting.

NOTE: 1.25" Dia. (31.8 mm) hole required for panel nut mounting.

Dimensions

Models	Inches (mm)	A	B	C	D	E	F
Standard Common-P1 Unit R09-XX-FB00		1.58 (40)	1.58 (40)	1.34 (34)	2.60 (66)	3.94 (100)	2.40 (61)

= "Most Popular"

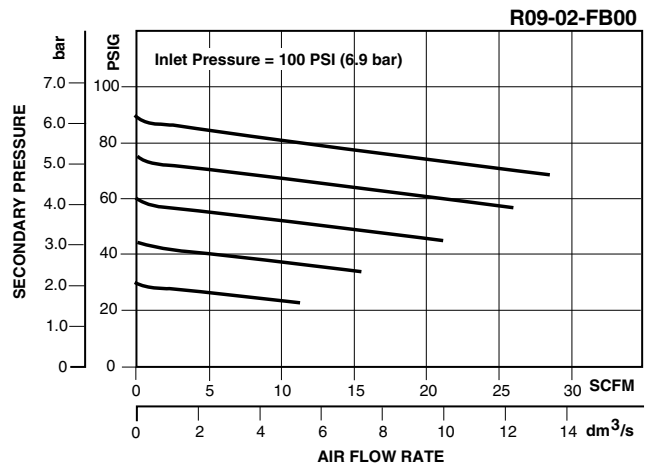
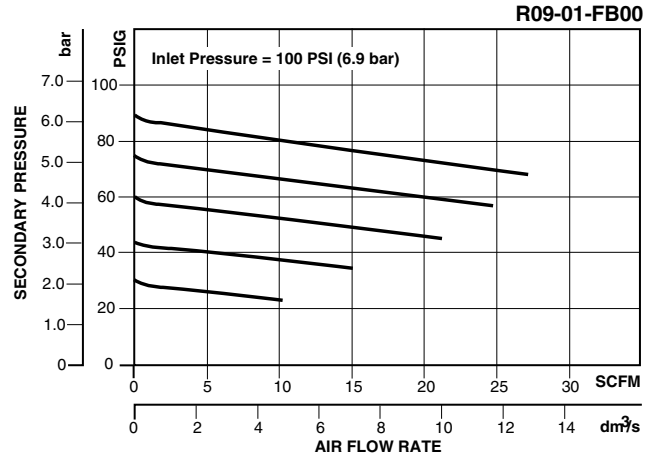
Replacement Kits

- Diaphragm Assembly –
 - Non-relieving GRP-96-726
 - Relieving GRP-96-725
- Spring, Regulating –
 - 0 to 30 PSIG (0 to 2.1 bar) GRP-95-111
 - 0 to 60 PSIG (0 to 4.1 bar) GRP-96-718
 - 0 to 125 PSIG (0 to 8.6 bar) GRP-96-717
- Valve Assembly RRP-96-727
- Valve Spring RRP-96-728

Accessories

- Gauge, Pressure, 0 to 60 PSIG (0 to 4.1 bar),
 - 1" Dial Face, 1/8 NPT, CBM K4510N18060
- Gauge, Pressure, 0 to 160 PSIG (0 to 11.0 bar),
 - 1" Dial Face, 1/8 NPT, CBM K4510N18160
- Panel Mount Nut –
 - Aluminum RPA-96-733
 - Plastic RPA-96-734
- Tamper Resistant Kit RPA-96-735
- Wall Mounting Bracket –
 - C-Type GPA-97-010
 - L-Type GRP-96-739
 - T-Type GPA-96-737

NOTE: Gauge not included, order separately by accessory number.



Typical Application

Ordering Information

All P2 Regulated Ports are 1/8"

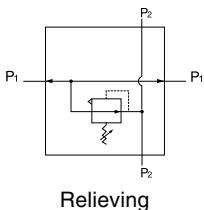
Model Type	P1 Port Size	Without Gauge 0 to 125 PSIG 0 to 8.6 bar)	Without Gauge 0 to 30 PSIG (0 to 2.1 bar)	Without Gauge 0 to 60 PSIG (0 to 4.1 bar)
Relieving	1/8	R09-01-FB00	R09-01-CB00	R09-01-DB00
	1/4	R09-02-FB00	R09-02-CB00	R09-02-DB00
Non-relieving	1/8	R09-01-RB00	R09-01-PB00	R09-01-WB00
	1/4	R09-02-RB00	R09-02-PB00	R09-02-WB00

Options - To order an option supplied with the unit model, add the appropriate coded suffix letter in the designated position of the model number.

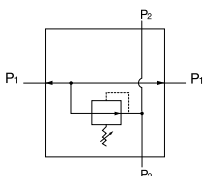
B

Common-P1 Regulator R19

= "Most Popular"



Relieving



Non-Relieving



R19-03-F000

Features

- Balanced Valve Design
- Spring-loaded Diaphragm
- 4 Adjusting Pressure Ranges Available
- 1/2" NPT / BSPP-G Over-port
- 2 Regulated Ports

WARNING

**Product rupture can cause serious injury.
Do not connect regulator to bottled gas.
Do not exceed maximum primary pressure rating.**

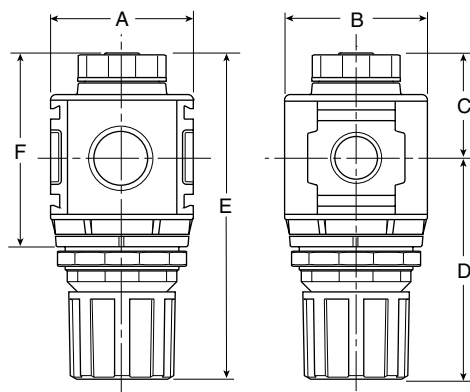
Specifications

Flow Capacity*	3/8	62.0 SCFM (29.2 dm ³ /s)
Adjusting Range Pressure		0 to 30 PSIG (0 to 2.1 bar)
		0 to 60 PSIG (0 to 4.1bar)
		0 to 125 PSIG (0 to 8.6 bar)
		0 to 250 PSIG (0 to 17.2 bar)
Maximum Supply Pressure		300 PSIG (20.7 bar)
Operating Temperature		32° to 150°F (0° to 65.5°C)
P1 Port Size (Inlet / Outlet)	NPT / BSPP-G	1/4, 3/8, 1/2
P2 Regulated Ports (2 ea.)	NPT / BSPP-G	1/4 or 3/8
Weight	lb. (kg)	1.16 (0.5)

* Inlet pressure 100 PSIG (6.9 bar). Secondary pressure 90 PSIG (6.2 bar).

Materials of Construction

Adjustment Knob	Acetal	
Body	Zinc	
Body Cap	ABS	
Bonnet	33% Glass-filled Nylon	
Bottom Plug	33% Glass-filled Nylon	
Diaphragm Assembly	Nitrile / Zinc	
Panel Nut	Acetal	
Seals	Nitrile	
Springs	Main Regulating	Steel
	Valve	Stainless Steel
Valve Assembly	Brass / Nitrile	



NOTE: 2" Dia. (51 mm) hole required for panel nut mounting.

Dimensions

Models	Inches (mm)	A	B	C	D	E	F	G
Standard Common-P1 Unit R19-XX-F000		2.36 (60)	2.36 (60)	1.74 (44)	3.66 (93)	5.40 (136)	3.10 (78.7)	3.74 (94)

CAUTION:

REGULATOR PRESSURE ADJUSTMENT – The working range of knob adjustment is designed to permit outlet pressures within their full range. Pressure adjustment beyond this range is also possible because the knob is not a limiting device. This is a common characteristic of most industrial regulators, and limiting devices may be obtained only by special design.

For best performance, regulated pressure should always be set by increasing the pressure up to the desired setting.

 = "Most Popular"

Replacement Kits

- Diaphragm Assembly –
 - Non-relieving RRP-96-761
 - Relieving RRP-96-760
- Spring, Regulating–
 - 0 to 30 PSIG (0 to 2.1 bar) RRP-96-659
 - 0 to 60 PSIG (0 to 4.1 bar) RRP-96-660
 - 0 to 125 PSIG (0 to 8.6 bar) RRP-96-661
 - 0 to 250 PSIG (0 to 17.2 bar) RRP-96-662
- Valve Assembly RRP-96-658

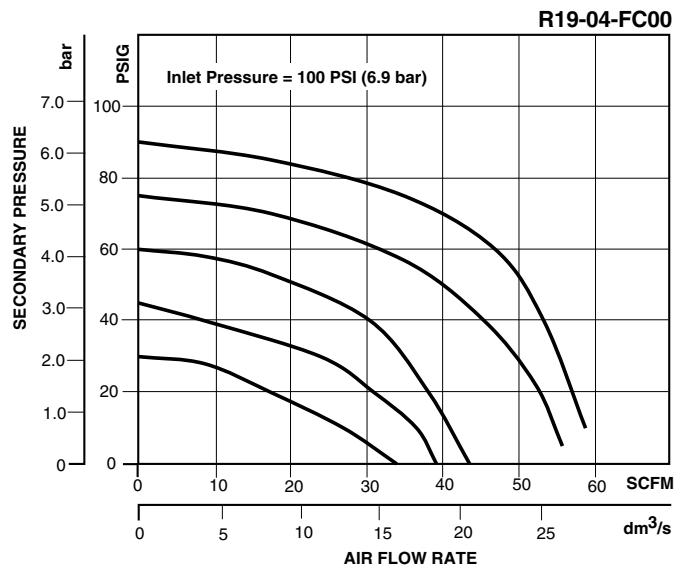
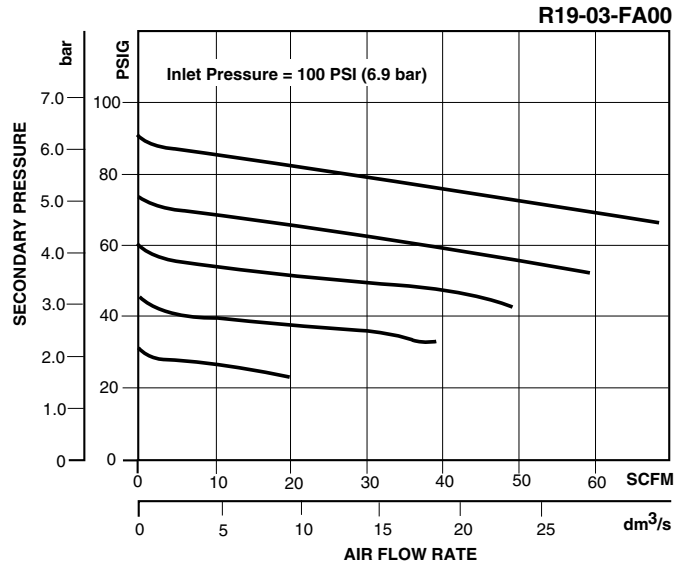
Accessories

- Gauge, Pressure, 0 to 30 PSIG (0 to 2.1 bar),
1-1/2" Dial Face, 1/4 NPT, CBM K4515N14030
- Gauge, Pressure, 0 to 60 PSIG (0 to 4.1 bar),
1-1/2" Dial Face, 1/4 NPT, CBM K4515N14060
- Gauge, Pressure, 0 to 160 PSIG (0 to 11.0 bar),
1-1/2" Dial Face, 1/4 NPT, CBM K4515N14160
- Gauge, Pressure, 0 to 300 PSIG (0 to 20.7 bar),
1-1/2" Dial Face, 1/4 NPT, CBM K4515N14300
- Panel Mount Nut –
 - Aluminum RRP-96-673
 - Plastic RRP-96-675
- Tamper Resistant Kit RRP-96-671
- Wall Mounting Bracket –
 - L-Type GPA-96-606
 - T-Type GPA-96-603

NOTE: Gauge not included, order separately by accessory number.



Typical Application



Ordering Information

All units shown with 1/4" regulated ports. For 3/8" ports, place letter C in position 7.

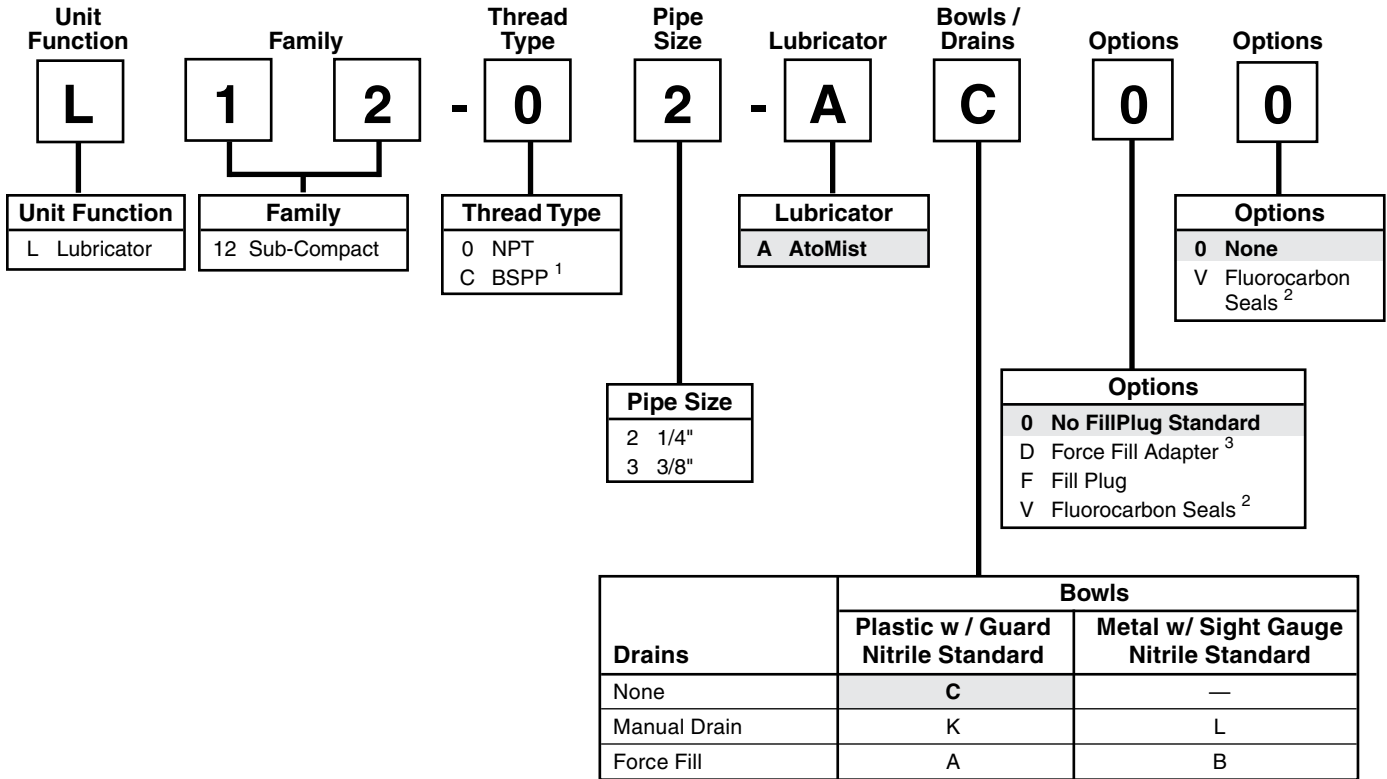
Model Type	P1 Port Size	5-125 PSIG (0.4 to 8.6 bar)	10-250 PSIG (0.7 to 7.2 bar)	3-60 PSIG (0.2 to 4.1 bar)
Relieving	1/4	R19-02-FA00	R19-02-GA00	R19-02-DA00
	3/8	R19-03-FA00	R19-03-GA00	R19-03-DA00
	1/2	R19-04-FA00	R19-04-GA00	R19-04-DA00
Non-relieving	1/4	R19-02-RA00	R19-02-SA00	R19-02-WA00
	3/8	R19-03-RA00	R19-03-SA00	R19-03-WA00
	1/2	R19-04-RA00	R19-04-SA00	R19-04-WA00

Options - To order an option supplied with the unit model, add the appropriate coded suffix letter in the designated position of the model number.

B

Lubricator Numbering System (12 Series)

 = "Most Popular"



¹ ISO, R228 (G Series).

² Fluorocarbon seals available only on units with Metal Bowl with Manual Drain.

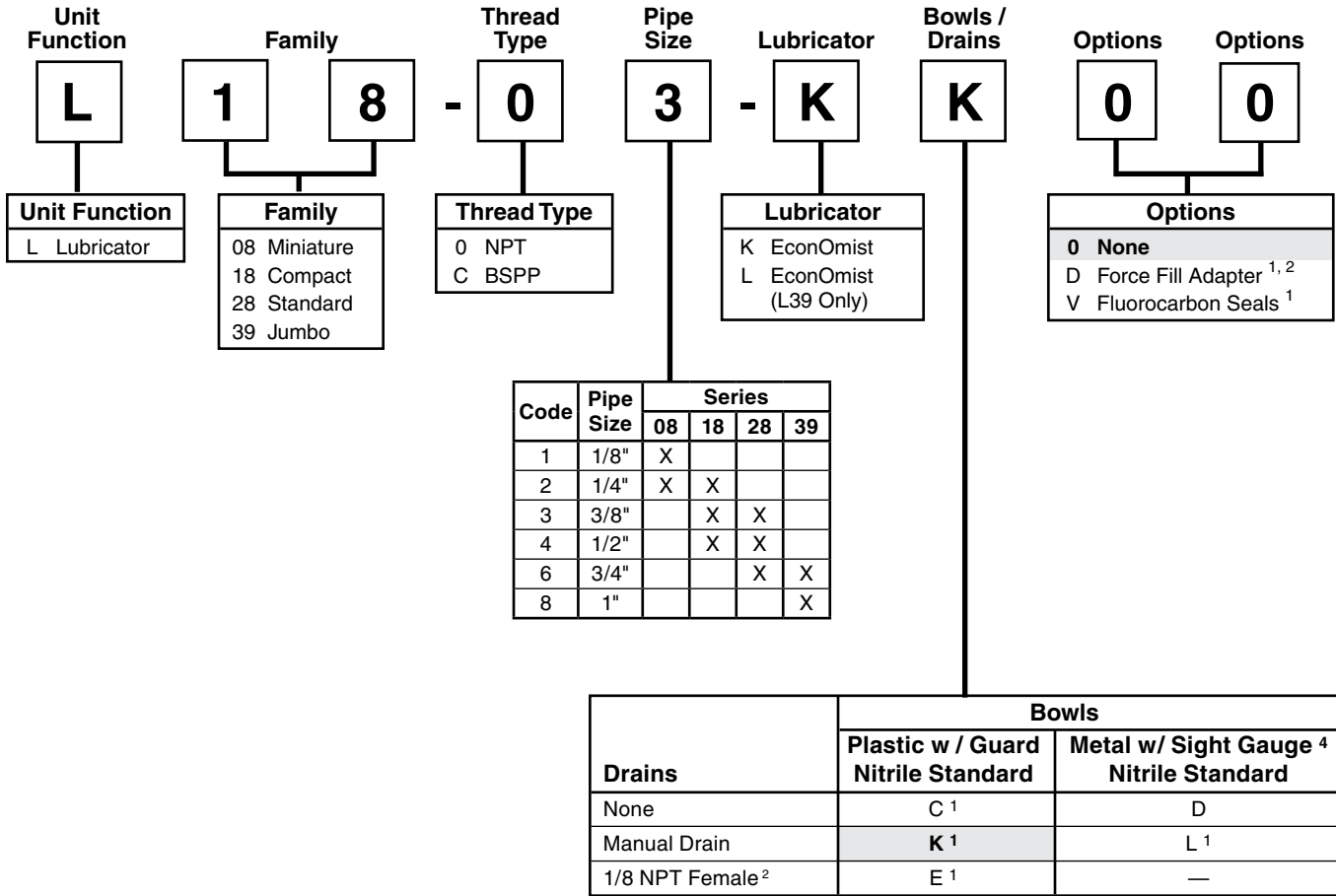
³ "D" Option Body Force Fill Adapter installed in Fill Plug location.

Note: When selecting from the options columns, please enter letters in alphabetical order for positions 7, 8, and 9. For example:

L 1 2 - 0 2 - A C 0 0

Lubricator Numbering System

 = "Most Popular"



B

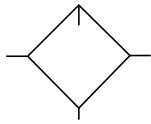
¹ Not available on 39 Series.
² Not available on L08.
³ ISO, R228 (G Series).
⁴ No sight gauge on L08.

Note: When selecting from the options columns, please enter letters in alphabetical order for positions 7, 8, and 9. For example:

L 1 8 - 0 3 - K K 0 0

Lubricator

L08



L08-01-KK00

Features

- Integral Sight Dome and Adjustment Knob
- Fill-under Pressure Design
- Modern Design and Appearance
- Light Weight
- High Flow Capacity
- Quick-disconnect Bowl

= "Most Popular"

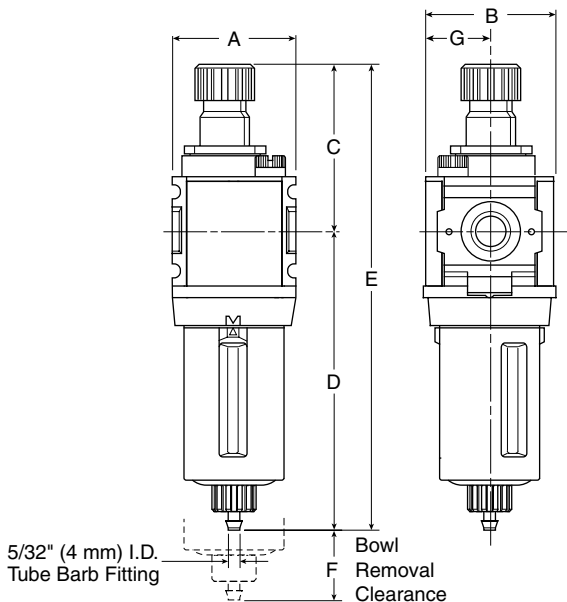
Specifications

Flow Capacity*	1/8	23.5 SCFM (11.0 dm ³ /s)
	1/4	57.5 SCFM (27.1 dm ³ /s)
Initial Drip Flow	1.3 SCFM	
Maximum Supply Pressure	Plastic Bowl	150 PSIG (10.3 bar)
	Metal Bowl	250 PSIG (17.2 bar)
Minimum Flow for Lubrication	1.3 SCFM @ 100 PSIG	
Operating Temperature	Plastic Bowl	32° to 125°F (0° to 52°C)
	Metal Bowl	32° to 150°F (0° to 65.5°C)
Port Size	NPT / BSPP-G 1/8, 1/4	
Useful Retention	oz. (cm ³)	.6 (18)
Weight	lb. (kg)	.60 (0.3)

* Inlet pressure 150 PSIG (10.3 bar). Pressure drop 5 PSID (0.3 bar).

Materials of Construction

Body	Zinc	
Body Cap	ABS	
Bowl	Plastic Bowl	Polycarbonate
	Metal Bowl	Zinc
Pick-up Filter	Sintered Bronze	
Seals	Plastic Bowl	Nitrile
	Metal Bowl	Nitrile
Sight Dome	Polycarbonate	
Suggested Lubricant	Airline Oil F442001	



Dimensions

Models	Inches (mm)	A	B	C	D	E	F	G
Standard Unit L08-XX-KK00		1.58 (40)	1.68 (43)	2.25 (57)	3.75 (95)	6.00 (152)	1.31 (33)	.84 (21)

= "Most Popular"

Replacement Bowl Kits

- Metal Bowl –
- Manual Drain GRP-96-714
- No Drain Port..... GRP-96-715

- Plastic Bowl –
- Bowl Guard, Manual Drain LRP-96-736
- Bowl Guard, No Drain Port..... LRP-96-713

Replacement Kits

- Bowl O-ring –
- Fluorocarbon GRP-96-711
- Nitrile..... GRP-96-710

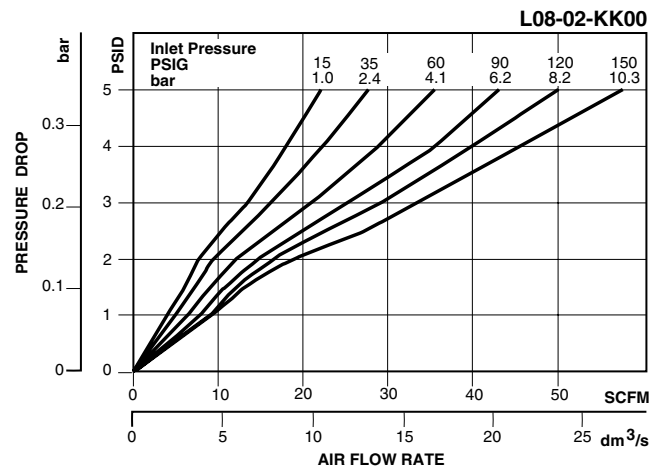
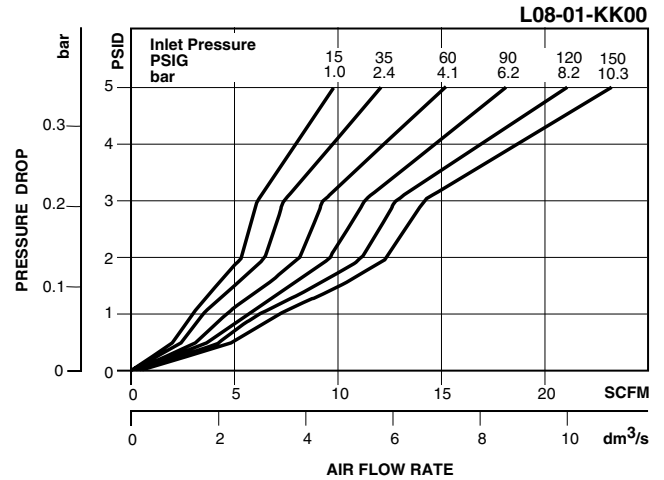
- Fill Plug Kit LRP-96-730

- Sight Dome Assembly –
- Old Style, L08-XX-LXXX LRP-96-710
- New Style Nylon LRP-96-720
- New Style Polycarbonate, L08-XX-KXXX LRP-96-725

- Siphon Tube Assembly LRP-96-731

Accessories

- Wall Mounting Bracket –
- C-Type GPA-97-010
- T-Type GPA-96-737



Ordering Information

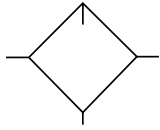
Model Type	Port Size	Plastic Bowl / Bowl Guard	Metal Bowl / No Sight Gauge
Manual Drain	1/8	L08-01-KK00	L08-01-KL00
	1/4	L08-02-KK00	L08-02-KL00

Options - To order an option supplied with the unit model, add the appropriate coded suffix letter in the designated position of the model number.



Lubricator

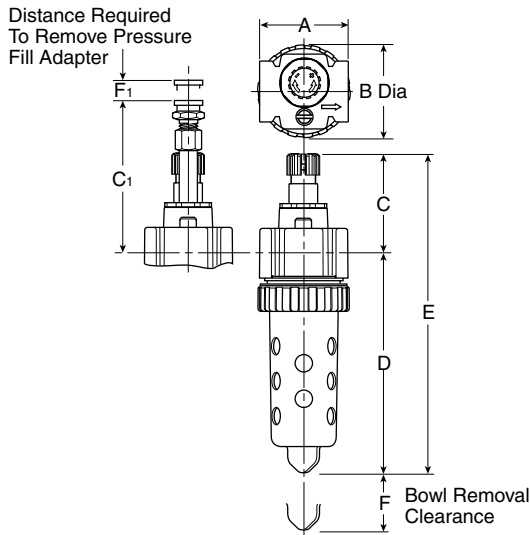
L12 AtoMist



L12-02-AC00

Features

- Proportional Oil Delivery Over a Wide Range of Air Flows
- Generates Oil Particles of 5 Micron and Smaller Downstream to Lubricate Systems having Complex Piping Arrangements
- Precision Needle Valve Assures Repeatable Oil Delivery and Provides Simple Adjustment of Delivery Rate
- Ideal for Low and High Flow Applications with Changing Air Flow
- Transparent Sight Dome for 360° Visibility
- Removable Drip Control Knob for Tamper Resistance



Dimensions

Models	Inches (mm)	A	B	C	C ₁	D	D [†]	E	E [†]	F	F ₁
Standard Unit F12-XX-AC00		2.00 (51)	2.06 (52)	2.26 (57)	3.35 (85)	5.12 (130)	5.35 (136)	7.38 (187)	7.61 (193)	1.77 (45)	.39 (10)

[†] With Manual Drain

= "Most Popular"

Specifications

Flow Capacity*	1/4	40 SCFM (18.9 dm ³ /s)
	3/8	40 SCFM (18.9 dm ³ /s)
Maximum Supply Pressure	Plastic Bowl	150 PSIG (10.3 bar)
	Metal Bowl	250 PSIG (17.2 bar)
Operating Temperature	Plastic Bowl	32° to 125°F (0° to 52°C)
	Metal Bowl	32° to 150°F (0° to 65.5°C)
Port Size	NPT / BSPP-G	1/4, 3/8
Weight	lb. (kg)	1.0 (0.45)
Bowl Oil Capacity		1.5 oz. (44.3 cc ³)

* Inlet pressure 90 PSIG (7 bar). Secondary pressure 5 PSIG (0.3 bar).

Materials of Construction

Body		Zinc
Bowl Guard		Steel
Bowls	Plastic Bowl	Polycarbonate
	Metal Bowl	Zinc
Collar		Plastic
Drain-Manual	Body & Nut	Plastic
Minimum Flow Requirement		2 SCFM at 100 psig
Sight Dome		Polycarbonate
Sight Gauge	Metal Bowl	Polyamide (Nylon)
Seals		Nitrile
Suggested Lubricant		Airline Oil F442001

= "Most Popular"

Replacement Bowl Kits

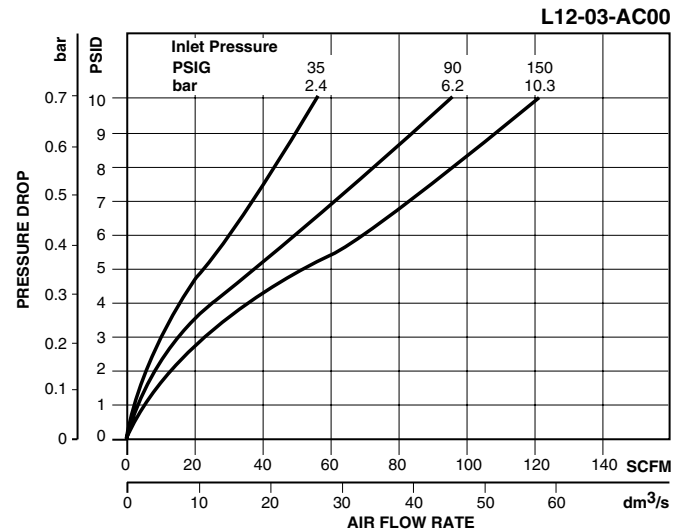
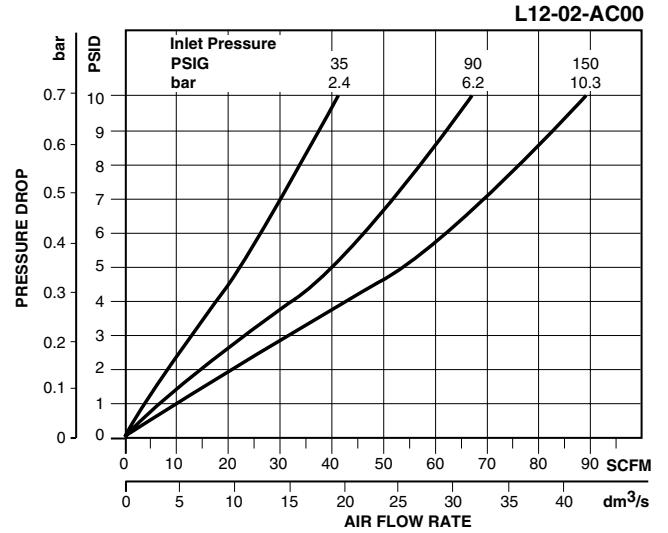
- Metal Bowl / Sight Gauge, Manual Drain.....LRP-96-306
- Plastic Bowl / Bowl Guard, No Drain.....LRP-96-308

Replacement Kits

- Adjustment KnobLRP-96-300
- Bowl Guard KitGRP-96-345
- Bowl Sight Gauge KitGRP-96-346
- Drain Kit– Manual DrainGRP-96-340
- Service KitLRP-96-309
- Sight Dome KitLRP-96-301

Accessories

- Mounting Bracket Kit.....GPA-96-300
- Pressure Fill Adapter KitLRP-96-302



Ordering Information

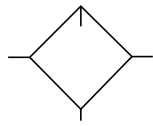
Model Type	Port Size	Plastic Bowl / Bowl Guard	Metal Bowl / No Sight Gauge
L12 Lubricator	1/4	L12-02-AC00	L12-02-AL00
	3/8	L12-03-AC00	L12-03-AL00

Options - To order an option supplied with the unit model, add the appropriate coded suffix letter in the designated position of the model number.

B

Lubricator

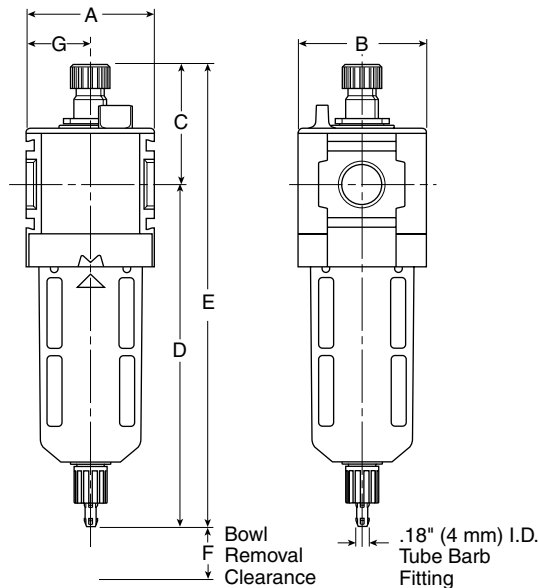
L18



L18-02-KK00

Features

- Integral Sight Dome and Adjustment Knob
- 1/2" NPT / BSPP-G Over-port
- Fillable Under Pressure
- Quick-disconnect Bowl / Bowl Guard
- Manual Drain
- High Flow Capacities



Dimensions

Models	Inches (mm)	A	B	C	D	E	F	G
Standard Unit with Manual Drain L18-XX-KK00		2.36 (60)	2.36 (60)	2.31 (59)	6.35 (161)	8.66 (220)	1.60 (41)	1.18 (30)
Metal Bowl with Sight Gauge / Manual Drain		2.36 (60)	2.70 (69)	2.31 (59)	6.35 (161)	8.66 (220)	1.60 (41)	1.18 (30)

= "Most Popular"

Specifications

Flow Capacity*	1/4	88 SCFM (41.5 dm ³ /s)
	3/8	90 SCFM (42.4 dm ³ /s)
	1/2	96 SCFM (45.3 dm ³ /s)
Initial Drip Flow	0.68 SCFM	
Maximum Supply Pressure	Plastic Bowl	150 PSIG (10.3 bar)
	Metal Bowl	250 PSIG (17.2 bar)
Minimum Flow for Lubrication	.7 SCFM @ 100 PSIG	
Operating Temperature	Plastic Bowl	32° to 125°F (0° to 52°C)
	Metal Bowl	32° to 150°F (0° to 65.5°C)
Port Size	NPT / BSPP-G	1/4, 3/8, 1/2
Useful Retention	oz. (cm ³)	4.09 (121)
Weight	lb. (kg)	1.2 (0.55)

*Inlet pressure 150 PSIG (10.3 bar). Pressure drop 5 PSID (0.3 bar).

Materials of Construction

Body	Zinc	
Body Cap	ABS	
Bowls	Plastic Bowl	Polycarbonate
	Metal Bowl	Aluminum
Pick-up Filter	Sintered Bronze	
Seals	Plastic Bowl	Nitrile
	Metal Bowl	Nitrile
Sight Dome	Polycarbonate	
Sight Gauge	Metal Bowl	Polyamide (Nylon)
Suggested Lubricant	Airline Oil F442001	

= "Most Popular"

Replacement Bowl Kits

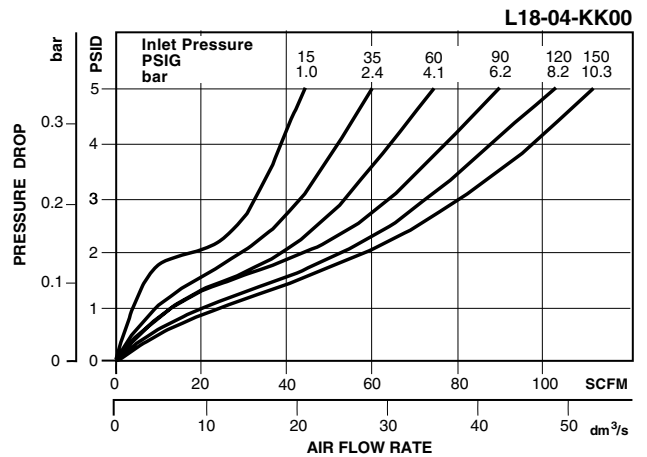
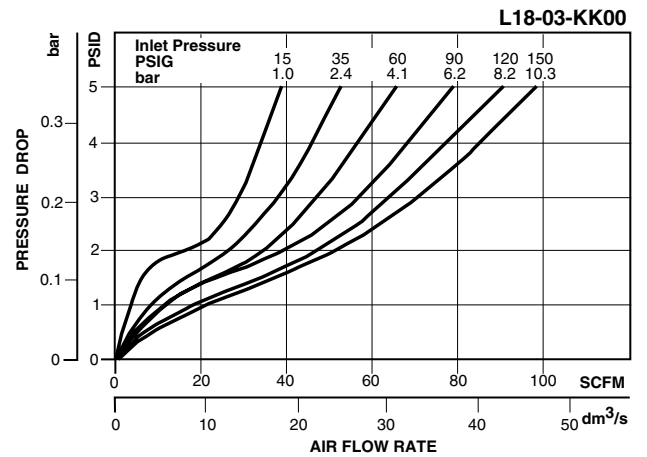
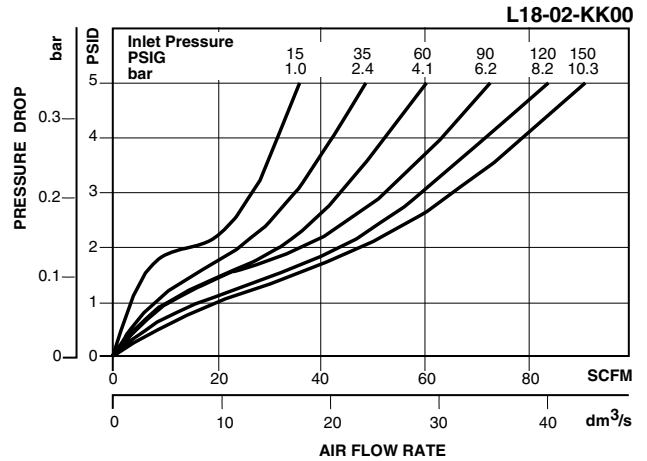
- Metal Bowl with Sight Gauge, Manual Drain GRP-96-636
- Plastic Bowl / Bowl Guard, Manual Drain LRP-96-701

Replacement Kits

- Bowl O-ring –
 - Fluorocarbon GRP-96-754
 - Nitrile..... GRP-96-640
- Bypass Assembly..... LRP-96-678
- Fill Plug Kit LRP-96-679
- Sight Dome Assembly –
 - Old Style, L18-XX-**L**K00..... LRP-96-710
 - New Style Polycarbonate, L18-XX-**K**K00 LRP-96-310
 - New Style Nylon LRP-96-312
- Siphon Tube Assembly LRP-96-677

Accessories

- Force Fill Adapter LRP-96-704
- Manual Drain..... GRP-96-685
- Sight Gauge Kit..... GRP-96-825
- Wall Mounting Bracket –
 - L-Type GPA-96-604
 - T-Type GPA-96-602



Ordering Information

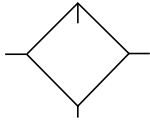
Model Type	Port Size	Plastic Bowl / Bowl Guard	Metal Bowl / Sight Gauge
Manual Drain	1/4	L18-02-KK00	L18-02-KL00
	3/8	L18-03-KK00	L18-03-KL00
	1/2	L18-04-KK00	L18-04-KL00

Options - To order an option supplied with the unit model, add the appropriate coded suffix letter in the designated position of the model number.

B

Lubricator

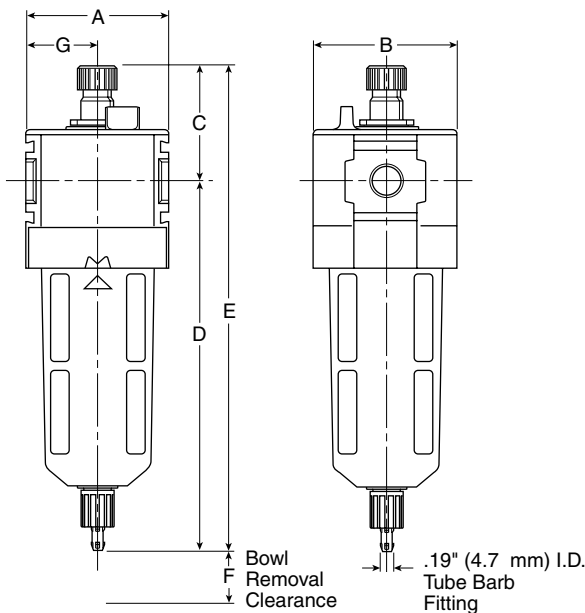
L28



L28-03-KK00

Features

- Integral Sight Dome and Adjustment Knob
- 3/4" NPT / BSPP-G Over-port
- Fillable Under Pressure
- Quick-disconnect Bowl / Bowl Guard
- Manual Drain
- High Flow Capacities



Dimensions

Models	Inches (mm)	A	B	C	D	E	F	G
Standard Unit with Manual Drain L28-XX-KK00		2.90 (74)	2.90 (74)	2.56 (65)	7.36 (187)	9.92 (252)	2.00 (51)	1.45 (37)
Metal Bowl with Sight Gauge / Manual Drain		2.90 (74)	2.90 (74)	2.56 (65)	7.36 (187)	9.92 (252)	2.00 (51)	1.45 (37)

= "Most Popular"

Specifications

Flow Capacity*	3/8	176 SCFM (83.0 dm ³ /s)
	1/2	184 SCFM (86.8 dm ³ /s)
	3/4	200 SCFM (94.3 dm ³ /s)
Initial Drip Flow	1.26 SCFM	
Maximum Supply Pressure	Plastic Bowl	150 PSIG (10.3 bar)
	Metal Bowl	250 PSIG (17.2 bar)
Minimum Flow for Lubrication	1.3 SCFM@ 100 PSIG	
Operating Temperature	Plastic Bowl	32° to 125°F (0° to 52°C)
	Metal Bowl	32° to 150°F (0° to 65.5°C)
Port Size	NPT / BSPP-G	3/8, 1/2, 3/4
Useful Retention	oz. (cm ³)	6.11 (181)
Weight	lb. (kg)	1.9 (0.9)

* Inlet pressure 150 PSIG (10.3 bar). Pressure drop 5 PSID (0.3 bar).

Materials of Construction

Body	Zinc	
Body Cap	ABS	
Bowls	Plastic Bowl	Polycarbonate
	Metal Bowl	Aluminum
Pick-up Filter	Sintered Bronze	
Seals	Plastic Bowl	Nitrile
	Metal Bowl	Nitrile
Sight Dome	Polycarbonate	
Sight Gauge	Metal Bowl	Polyamide (Nylon)
Suggested Lubricant	Airline Oil F442001	

Replacement Bowl Kits

- Metal Bowl with Sight Gauge, Manual Drain GRP-96-644
- Plastic Bowl / Bowl Guard, Manual Drain LRP-96-702

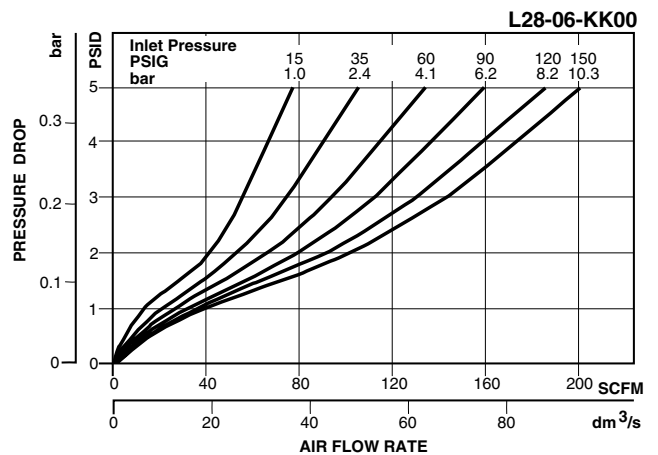
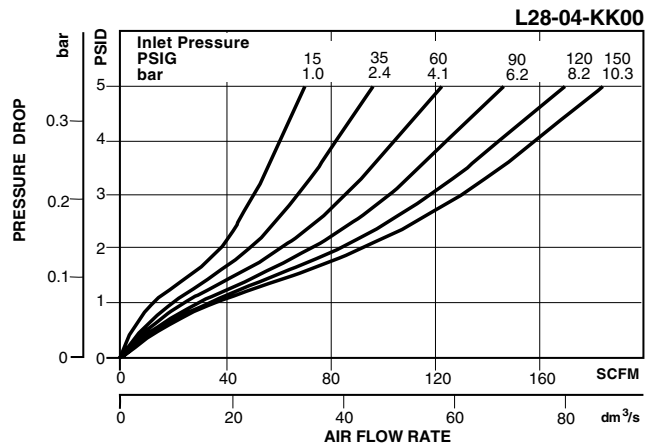
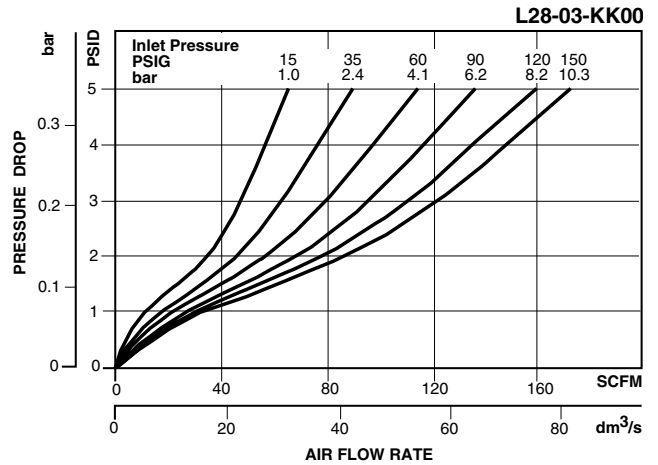
Replacement Kits

- Bowl O-ring, Nitrile GRP-96-654
- Bowl O-ring, Fluorocarbon GRP-96-755
- Bypass Assembly LRP-96-678
- Fill Plug Kit LRP-96-679
- Sight Dome Assembly –
 - Old Style, L28-XX-LK00 LRP-96-710
 - New Style Polycarbonate, L28-XX-KK00 LRP-96-310
 - New Style Nylon LRP-96-312
- Siphon Tube Assembly LRP-96-681

Accessories

- Force Fill Adapter LRP-96-704
- Sight Gauge Kit GRP-96-825
- Wall Mounting Bracket –
 - L-Type GPA-96-605
 - T-Type GPA-96-602

= “Most Popular”



Ordering Information

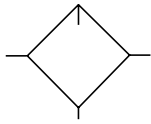
Model Type	Port Size	Plastic Bowl / Bowl Guard	Metal Bowl / Sight Gauge
Manual Drain	3/8	L28-03-KK00	L28-03-KL00
	1/2	L28-04-KK00	L28-04-KL00
	3/4	L28-06-KK00	L28-06-KL00

Options - To order an option supplied with the unit model, add the appropriate coded suffix letter in the designated position of the model number.

B

Lubricator

L39



L39-06-LD00

Features

- Transparent Sight Dome for 360° Visibility
- 3/4" and 1" NPT Ports
- Fillable Under Pressure
- Quick-disconnect Bowl
- High Flow Capacities and Proportional Oil Delivery
- Port Blocks Available for BSPP Thread and 1-1/2" Port

= "Most Popular"

Specifications

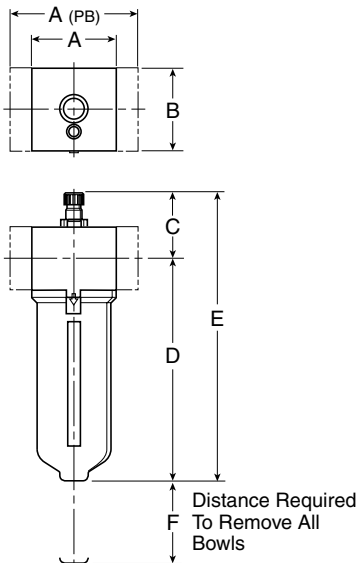
Flow Capacity*	3/4, 1	270 SCFM (127 dm ³ /s)
Maximum Supply Pressure		250 PSIG (17 bar)
Operating Temperature		32° to 175°F (0° to 80°C)
Port Size**	NPT	3/4, 1
Useful Retention	oz. (cm ³)	18 (510)
Weight	lb. (kg)	3.5 (1.6)

* Inlet pressure 100 PSIG (6.9 bar). Pressure drop 5 PSID (0.3 bar).

** Port blocks available for BSPP thread & 1-1/2" port.

Materials of Construction

Body	Aluminum
Bowl	Aluminum
Sight Dome	Polycarbonate
Seals	Nitrile
Sight Gauge	Polyamide (Nylon)
Suggested Lubricant	Airline Oil F442001



Dimensions

Models	Inches (mm)	A	A (PB)	B	C	D	E	F
Standard Unit L39-XX-LD00		3.62 (92)	5.91 (150)	3.62 (92)	2.81 (71)	9.00 (229)	11.81 (300)	4.92 (125)

† With Manual Drain or Internal Auto Drain

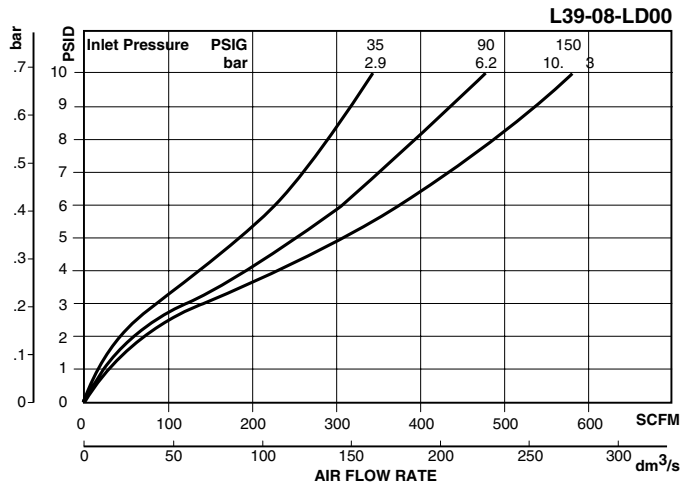
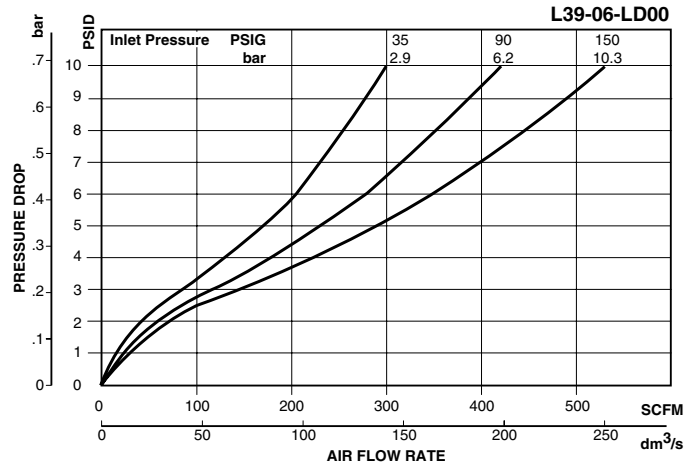
Replacement Bowl Kits

Metal Bowl –
Sight Gauge / Manual DrainP3NKA00BSM

Accessories

Adjustment KnobP04121
Bowl Latch Kit C11A33
Drain Kit – Manual Drain..... PS512
Fill Cap Kit P3NKA00PL
Mounting Bracket Kit P3NKA00MW
Pressure Fill Adapter KitP3NKA00PK
Service KitP3NKA00RL
Sight Dome Kit –
PolycarbonatePS740
Nylon PS740N
Sight Gauge KitP3NKA00PE

 = "Most Popular"



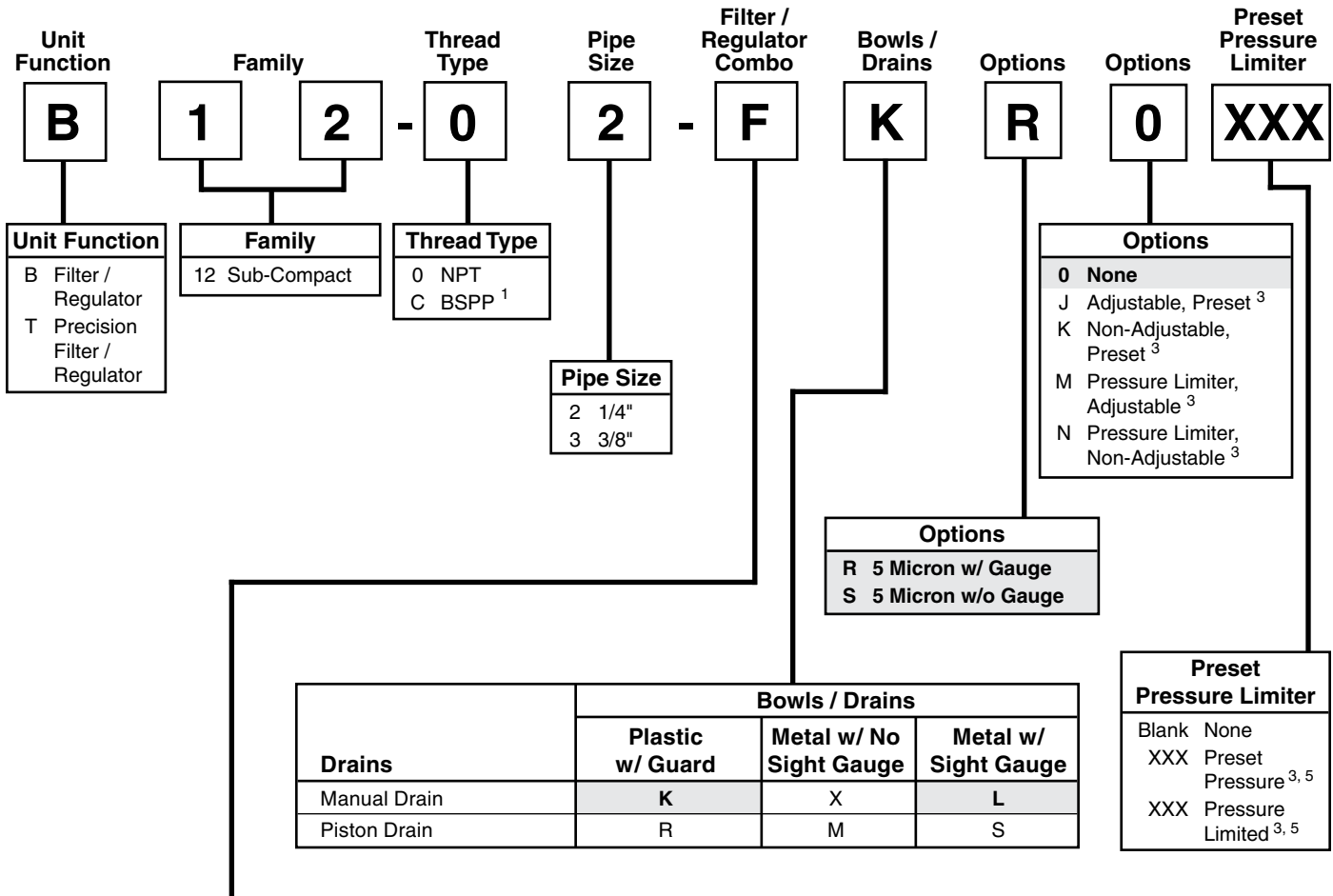
Ordering Information

Model Type	Port Size	Metal Bowl / Sight Gauge
No Drain	3/4	L39-06-LD00
	1	L39-08-LD00

Options - To order an option supplied with the unit model, add the appropriate coded suffix letter in the designated position of the model number.

B

Filter / Regulator Numbering System = "Most Popular"



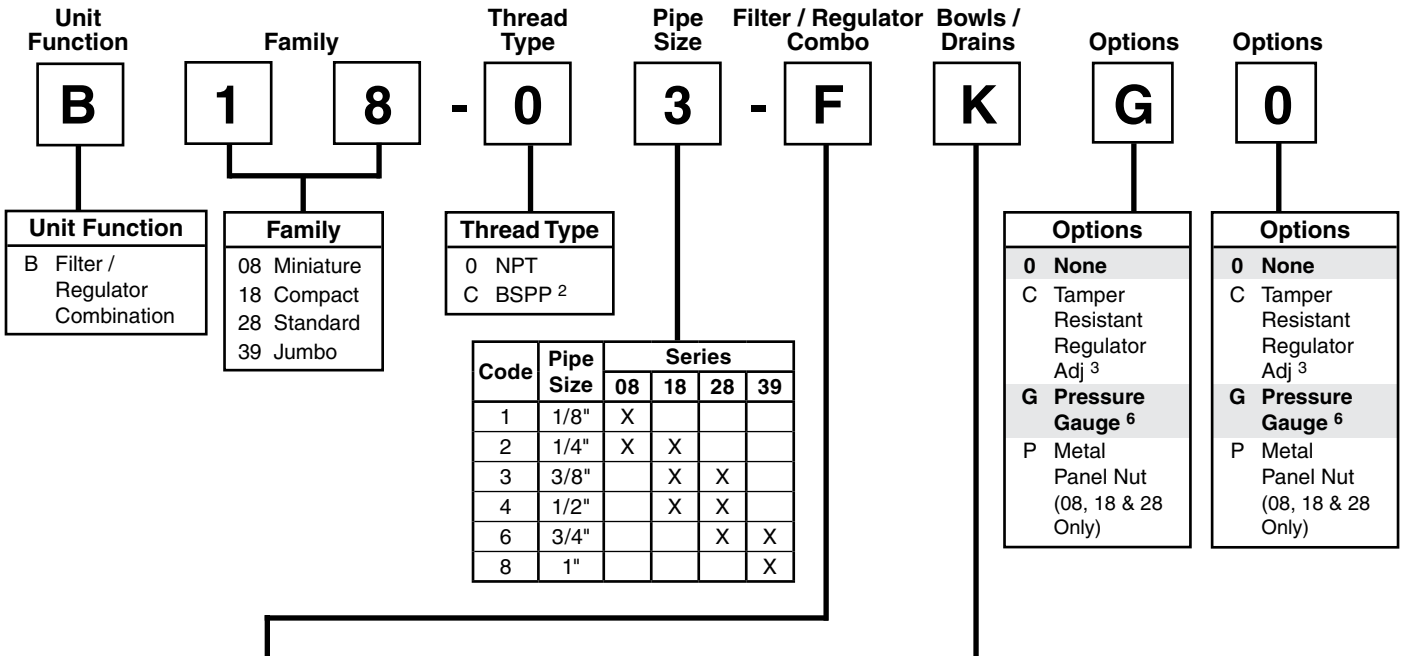
Diaphragm Function	Fluorocarbon	Spring Range				
		0 to 15 PSIG (0 to 1.0 bar)	0 to 30 PSIG (0 to 2.1 bar)	0 to 60 PSIG (0 to 4.1 bar)	0 to 125 PSIG (0 to 8.6 bar)	0 to 200 PSIG ⁴ (0 to 13.7 bar)
Relieving	No	A	C	D	F	H
	Yes ²	B	J	K	L	N
Non-relieving ⁶	No	—	P	W	R	T
	Yes ²	—	V	X	Y	U

¹ ISO, R228 (G Series).
² Fluorocarbon Seals available only on units with metal bowl with manual drain.
³ Inlet pressure is 100 PSIG. For other pressures, contact factory.
⁴ 0 to 200 PSI (0 to 13,8 bar) pressure range available only on units with metal bowl.
⁵ Available Preset / Pressure Limited Range, 10 to 90 PSIG in 5 PSIG increments. For higher pressures, contact factory. (Example 065 = 65 PSIG).
 Spring Type by Preset / Limited Pressure:
 For Preset / Limited Pressure 10 to 25 use 30 PSI Spring
 For Preset / Limited Pressure 26 to 50 use 60 PSI Spring
 For Preset / Limited Pressure 51 to 120 use 125 PSI Spring
 For Preset / Limited Pressure 121to 190 use 200 PSI Spring
⁶ Not available on T12.

Type "A" 5 micron elements: All Wilkerson Type "A" 5 micron elements meet or exceed ISO Class 3 for maximum particle size and concentration of solid contaminants.

NOTE: All classes above refer to International Standards Organization (ISO) standard 8573-1, pertaining to maximum particle size and concentration of solid contaminants, and maximum oil content.

Filter / Regulator Numbering System = "Most Popular"



Code	Pipe Size	Series			
		08	18	28	39
1	1/8"	X			
2	1/4"	X	X		
3	3/8"		X	X	
4	1/2"		X	X	
6	3/4"			X	X
8	1"				X

Drains	Bowls		
	Plastic w / Guard ¹	Metal w/ No Sight Gauge ¹	Metal w/ Sight Gauge ⁴
None (08, 18 & 28 Only)	C	—	D
1/8 NPT Female (18 & 28 Only)	E	U	F
Automatic Drain (18, 28 & 39 Only)	G	A	H
Manual Drain	K	M	L
Piston Drain (08 Only)	R	—	S
Flex Drain (18 & 28 Only)	T	—	—

Diaphragm Function ⁷	Fluorocarbon ¹	Spring Range			
		0 to 30 PSIG ¹ (0 to 2.1 bar)	0 to 60 PSIG ¹ (0 to 4.1 bar)	0 to 125 PSIG (0 to 8.6 bar)	0 to 250 PSIG ^{1, 5} (0 to 17.2 bar)
Relieving	No	C	D	F	G
	Yes	J	K	L ¹	M
Non-relieving ¹	No	P	W	R	S
	Yes	V	X	Y	Z

¹ Not Available on 39 Series.
² ISO, R228 (G Series).
³ Tamper resistant kit not installed. Kit shipped loose in carton, for 08, 18 & 28 Series.
⁴ B08 Filter / Regulator has an all metal bowl (no sight gauge).
⁵ For 18 & 28 Series Only.
⁶ For 08 Series only: "G" in position 8 or 9 is for unit w/ flush-mounted pressure gauge. Units without gauge have 1/8" threaded gauge ports, and a center back mounted pressure gauge must be ordered separately.

"F" Series Filters, Type "A" 5 micron elements: All Wilkerson Type "A" 5 micron elements meet or exceed ISO Class 3 for maximum particle size and concentration of solid contaminants.

NOTE:All classes above refer to International Standards Organization (ISO) standard 8573-1, pertaining to maximum particle size and concentration of solid contaminants, and maximum oil content.

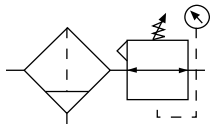
NOTE: When selecting from the options columns, please enter letters in alphabetical order, for positions 7, 8, 9. For example:

B 18-03-F K 0 0

B

Filter / Regulator

B08



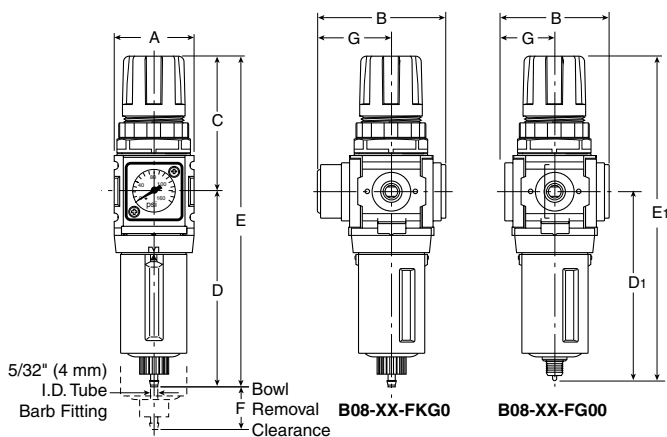
B08-01-FKG0 B08-01-FK00

Features

- Space-Saving Integral Filter / Regulator Design
- Unique Flush-mounted Pressure Gauge Available
- Balanced Valve Design
- Modern Design and Appearance
- Light Weight
- High Flow Capacities
- Quick-Disconnect Bowl / Bowl Guard

! WARNING

**Product rupture can cause serious injury.
Do not connect regulator to bottled gas.
Do not exceed maximum primary pressure rating.**



NOTES: Flush mounted gauge kits will not fit units originally purchased with threaded gauge ports.
1.25" Dia. (31.7 mm) hole required for panel nut mounting.

Dimensions

Models	Inches (mm)	A	B	C	D	D ₁	E	E ₁	F	G
Standard Unit B08-XX-FK00		1.58 (40)	1.70 (43)	2.60 (66)	3.86 (98)	—	6.46 (164)	—	1.31 (33)	.85 (21.6)
Automatic Piston Drain B08-XX-FRG0		1.58 (40.0)	2.53 (64.3)	2.60 (66.0)	—	3.64 (93)	—	6.24 (159)	1.31 (33)	1.45 (36.8)

= "Most Popular"

Specifications

Flow Capacity*	1/8	28 SCFM (13.2 dm ³ /s)
	1/4	42 SCFM (19.8 dm ³ /s)
Adjusting Range Pressure		0 to 30 PSIG (0 to 2.1 bar)
		0 to 60 PSIG (0 to 4.1 bar)
		0 to 125 PSIG (0 to 8.6 bar)
Gauge Ports** (2 ea.) NPT		1/8
Maximum Supply Pressure	Plastic Bowl	150 PSIG (10.3 bar)
	Metal Bowl	250 PSIG (17.2 bar)
Operating Temperature	Plastic Bowl	32° to 125°F (0° to 52°C)
	Metal Bowl	32° to 150°F (0° to 65.5°C)
Port Size	NPT / BSPP-G	1/8, 1/4
Standard Filtration	Micron	5
Useful Retention†	oz. (cm ³)	.4 (12)
Weight	lb. (kg)	.75 (0.34)

* Inlet pressure 100 PSIG (6.9 bar). Secondary pressure 90 PSIG (6.2 bar).

** Non gauge option only.

† Useful retention refers to volume below the quiet zone baffle.

"F" Series Filters, Type "A" 5 micron elements: All Wilkerson Type "A" 5 micron elements **meet or exceed ISO Class 3** for maximum particle size and concentration of solid contaminants.

Materials of Construction

Adjustment Knob		Acetal
Body		Zinc
Body Cap		ABS
Bonnet		PBT
Bowl	Plastic Bowl	Polycarbonate
	Metal Bowl	Zinc
Bowl Guard		Nylon
Diaphragm Assembly		Brass / Nitrile
Filter Element		Polyethylene
Panel Nut		Acetal
Seals	Plastic Bowl	Nitrile
	Metal Bowl	Nitrile
Springs		Steel
Valve Assembly		Brass / Nitrile

CAUTION:

REGULATOR PRESSURE ADJUSTMENT – The working range of knob adjustment is designed to permit outlet pressures within their full range. Pressure adjustment beyond this range is also possible because the knob is not a limiting device. This is a common characteristic of most industrial regulators, and limiting devices may be obtained only by special design.

For best performance, regulated pressure should always be set by increasing the pressure up to the desired setting.

 = "Most Popular"

Replacement Bowl Kits

- Metal Bowl, Manual Drain GRP-96-714
- Plastic Bowl / Bowl Guard, Manual Drain GRP-96-712

Replacement Element Kit

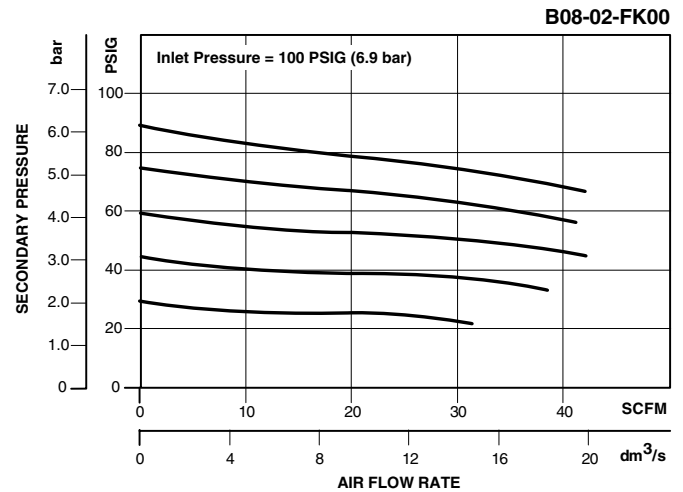
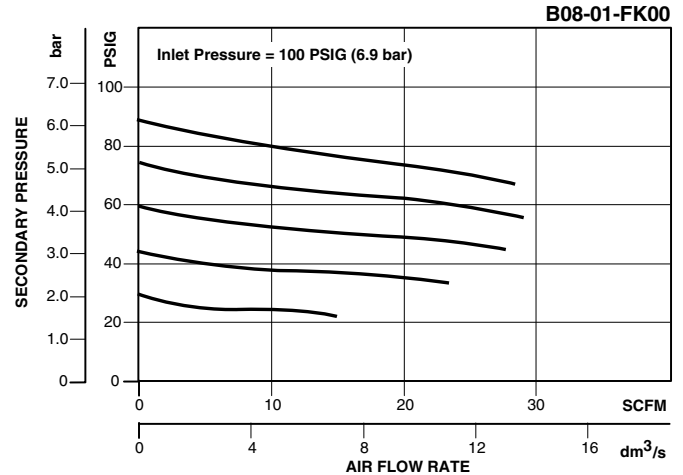
- Type "A", 5 Micron FRP-96-729

Replacement Kits

- Adjusting Knob RRP-16-005-000
- Diaphragm Assembly –
 - Non-relieving GRP-96-726
 - Relieving GRP-96-725
- Spring, Regulating–
 - 0 to 30 PSIG (0 to 2.0 bar) GRP-95-111
 - 0 to 60 PSIG (0 to 4.1 bar) GRP-96-718
 - 0 to 125 PSIG (0 to 8.5 bar) GRP-96-717
- Valve Assembly RRP-96-727

Accessories

- Automatic Piston Drain GRP-96-716
- Gauge Adapter Block, 1/4" NPT, GPA-97-037
(Replaces Flush Mount Gauge)
- Panel Mount Nut –
 - Aluminum RPA-96-733
 - Plastic RPA-96-734
- Pressure Gauge, Flush Mounted –
 - 0 to 60 PSIG K4511SCR060
 - 0 to 150 PSIG K4511SCR150
 - 0 to 11 bar K4511SCR11B
- Pressure Gauge, 0 to 60 PSIG (0 to 4.1 bar),
1-1/2" Dial Face, 1/8 NPT, CBM K4515N18060
- Pressure Gauge 0 to 160 PSIG (0 to 11.0 bar),
1-1/2" Dial Face, 1/8 NPT, CBM K4515N18160
- Tamper Resistant Kit RPA-96-735
- Wall Mounting Bracket -
 - C-Type GPA-97-010
 - L-Type GRP-96-739



Ordering Information

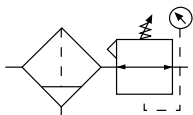
Model Type	Port Size	Plastic Bowl / Bowl Guard / Manual Drain / Without Gauge 0 to 30 PSIG (0 to 0.2 bar)	Plastic Bowl / Bowl Guard / Manual Drain / Without Gauge 0 to 125 PSIG (0 to 8.6 bar)	Plastic Bowl / Bowl Guard / Manual Drain / With Gauge 0 to 20 PSIG (0 to 2.0 bar)	Plastic Bowl / Bowl Guard / Manual Drain / With Gauge 0 to 125 PSIG (0 to 8.6 bar)	Plastic Bowl / Bowl Guard / Manual Drain / Without Gauge 0 to 60 PSIG (0 to 4.1 bar)	Plastic Bowl / Bowl Guard / Automatic Piston / With Gauge 0 to 125 PSIG (0 to 8.6 bar)
Relieving	1/8	B08-01-CK00	B08-01-FK00	B08-01-CKG0	B08-01-FKG0	B08-01-DK00	B08-01-FRG0
	1/4	B08-02-CK00	B08-02-FK00	B08-02-CKG0	B08-02-FKG0	B08-02-DK00	B08-02-FRG0
Non-relieving	1/8	B08-01-PK00	B08-01-RK00	B08-01-PKG0	B08-01-RKG0	B08-01-WK00	B08-01-RRG0
	1/4	B08-02-PK00	B08-02-RK00	B08-02-PKG0	B08-02-RKG0	B08-02-WK00	B08-02-RRG0

Options - To order an option supplied with the unit model, add the appropriate coded suffix letter in the designated position of the model number.

B

Filter / Regulator B12

= "Most Popular"



B12-02-FKS0

Features

- Space Saving Package Offers Both Filter and Regulator Features for Optimal Performance
- Excellent Water Removal Efficiency
- Rolling Diaphragm for Extended Life
- Removable Non-rising Knob for Tamper Resistance
- Quick Response, and Accurate Pressure Regulation Regardless of Changing Flow or Inlet Pressure
- 5 Micron Standard

Specifications

High Flow Capacity*		
Port Size	1/4	25 SCFM (11.8 dm ³ /s)
	3/8	30 SCFM (14.2 dm ³ /s)
Gauge Ports (2x)	NPT / BSPP-G	1/4
Maximum Supply Pressure	Plastic Bowl	150 PSIG (10.3 bar)
	Metal Bowl	250 PSIG (17.2 bar)
Operating Temperature	Plastic Bowl	32° to 125°F (0° to 52°C)
	Metal Bowl	32° to 175°F (0° to 80°C)
Port Size	NPT / BSPP-G	1/4, 3/8
Standard Filtration	Micron	5
Useful Retention**	oz. (cc)	.9 (26.6)
Weight	lb. (kg)	1.35 (0.6)
Bowl Capacity	Ounces	2.0

* Inlet pressure 100 PSIG (6.9 bar), Secondary pressure 90 PSIG (6.2 bar).
** Useful retention refers to volume below the quiet zone baffle.

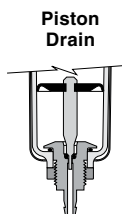
Materials of Construction

Adjustment Knob	Plastic	
Body	Zinc	
Bonnet, Internal Parts	Plastic	
Bowls	Plastic Bowl	Polycarbonate
	Metal Bowl	Zinc
Bowl Guard	Steel	
Diaphragm	Nitrile	
Drain	Plastic	
Filter Element	Sintered Plastic	
Seals	Nitrile	
Springs	Steel	
Valve Assembly	Plastic	

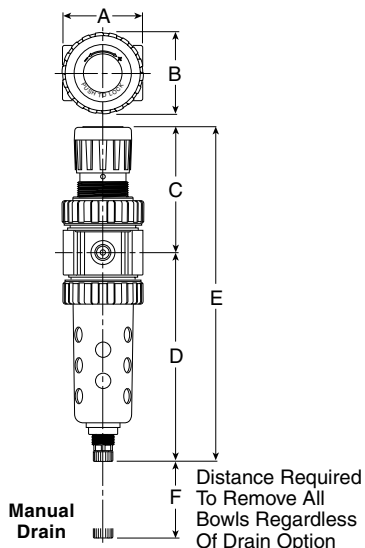
WARNING

**Product rupture can cause serious injury.
Do not connect regulator to bottled gas.
Do not exceed maximum primary pressure rating.**

NOTE: Panel Mount Nut sold separately.



NOTE: Barb (Piston Drain) accepts 3/16" ID tubing.



CAUTION:

REGULATOR PRESSURE ADJUSTMENT – The working range of knob adjustment is designed to permit outlet pressures within their full range. Pressure adjustment beyond this range is also possible because the knob is not a limiting device. This is a common characteristic of most industrial regulators, and limiting devices may be obtained only by special design.

For best performance, regulated pressure should always be set by increasing the pressure up to the desired setting.

Dimensions

Model	Inches (mm)	A	B	C	D†	E†	F
Standard Unit B12-XX-FKS0		2.00 (51)	2.06 (52)	3.16 (80)	5.35 (136)	8.51 (216)	1.77 (45)

† With Manual or Piston Drain

 = "Most Popular"

Replacement Bowl Kits

- Metal Bowl Guard..... GRP-96-345
- Metal Bowl–
 - Manual Drain GRP-96-348
 - Piston Drain..... GRP-96-353
 - Sight Gauge / Manual Drain GRP-96-349
 - Sight Gauge / Piston Drain..... GRP-96-352
- Plastic Bowl–
 - Manual Drain GRP-96-347
 - Piston Drain..... GRP-96-351

Replacement Element Kits

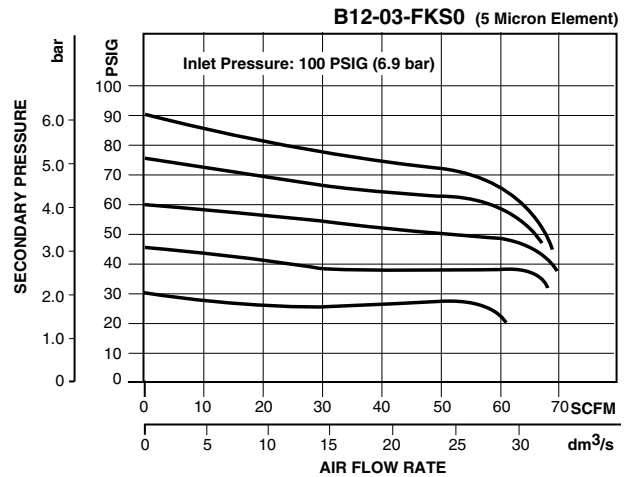
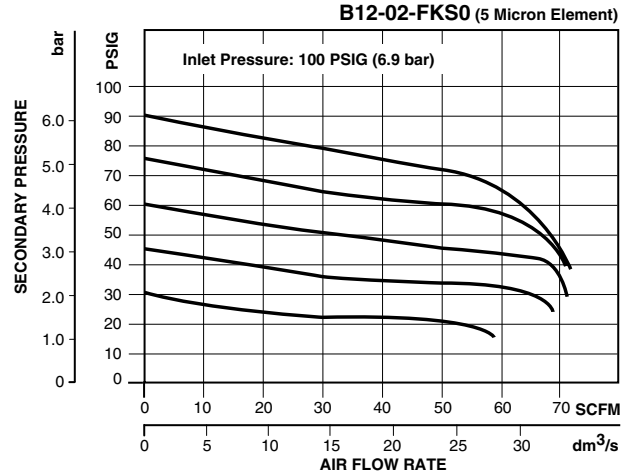
- 5 Micron..... GRP-96-344
- 40 Micron..... GRP-96-343

Replacement Kits

- Bonnet Assembly Kit RRP-96-308
- Control Knob RRP-96-300
- Pressure Gauge –
 - 30 PSIG K4515N14030
 - 60 PSIG K4515N14060
 - 160 PSIG K4515N14160
 - 300 PSIG K4515N14300
- Service Kit –
 - Non-relieving RRP-96-307
 - Relieving..... RRP-96-306
- Springs, Regulating –
 - 1 to 30 PSIG (0.06 to 2.1 bar)..... RRP-96-303
 - 1 to 60 PSIG (0.06 to 4.1 bar)..... RRP-96-302
 - 2 to 125 PSIG (0.13 to 8.6 bar) RRP-96-301
 - 2 to 200 PSIG (0.13 to 17.2 bar) RRP-96-304

Accessories

- Drain Kit –
 - Manual Drain GRP-96-340
 - Piston Drain GRP-96-354
- Mounting Bracket Kit (With Panel Mount Nut)..... GPA-96-313
- Panel Mount Nut, Metal..... GPA-96-314
- Sight Gauge Kit GRP-96-346



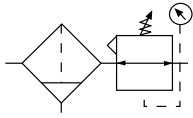
Ordering Information

Model Type	Port Size	Plastic Bowl / Bowl Guard / Without Gauge / Manual Drain	Plastic Bowl / Bowl Guard / Without Gauge / Piston Drain	Metal Bowl / Sight Gauge / With Gauge / Manual Drain	Metal Bowl / Sight Gauge / With Gauge / Piston Drain
Relieving	1/4	B12-02-FKS0	B12-02-FRS0	B12-02-FLG0	B12-02-FSG0
	3/8	B12-03-FKS0	B12-03-FRS0	B12-03-FLG0	B12-03-FSG0
Non-relieving	1/4	B12-02-RKS0	B12-02-RRS0	B12-02-RLG0	B12-02-RSG0
	3/8	B12-03-RKS0	B12-03-RRS0	B12-03-RLG0	B12-03-RSG0

Options - To order an option supplied with the unit model, add the appropriate coded suffix letter in the designated position of the model number.



Precision Filter / Regulator T12



T12-02-FKS0

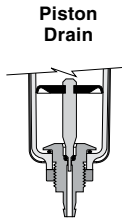
Features

- Space Saving Package Offers Both Filter And Regulator Features for Optimal Performance
- Excellent Water Removal Efficiency
- Rolling Diaphragm for Extended Life
- Removable Non-rising Knob for Tamper Resistance
- Quick Response, and Accurate Pressure Regulation Regardless of Changing Flow or Inlet Pressure
- 5 Micron Standard

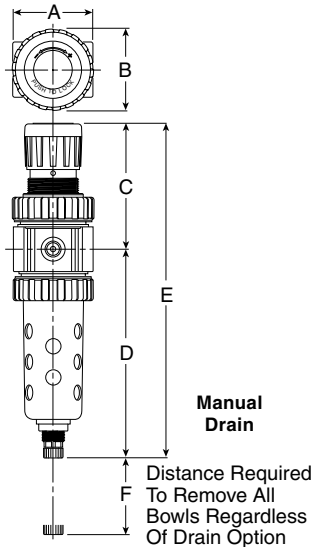
WARNING

**Product rupture can cause serious injury.
Do not connect regulator to bottled gas.
Do not exceed maximum primary pressure rating.**

NOTE: Panel Mount Nut sold separately.



NOTE: Barb (Piston Drain) accepts 3/16" ID tubing.



Dimensions

Model	Inches (mm)	A	B	C	D†	E†	F
Precision Unit T12-XX-FKS0		2.00 (51)	2.06 (52)	3.16 (80)	5.35 (136)	8.51 (216)	1.77 (45)

† With Manual or Piston Drain

= "Most Popular"

Specifications

High Flow Capacity*	1/4	25 SCFM (11.8 dm ³ /s)
	3/8	25 SCFM (11.8 dm ³ /s)
Gauge Ports (2x)	NPT / BSPP-G	1/4
Maximum Supply Pressure	Plastic Bowl	150 PSIG (10.3 bar)
	Metal Bowl	250 PSIG (17.2 bar)
Operating Temperature	Plastic Bowl	32° to 125°F (0° to 52°C)
	Metal Bowl	32° to 175°F (0° to 80°C)
Port Size	NPT / BSPP-G	1/4, 3/8
Standard Filtration	Micron	5
Useful Retention**	oz. (cc)	.9 (26.6)
Weight	lb. (kg)	1.35 (0.6)
Bowl Capacity	Ounces	2.0

* Inlet pressure 100 PSIG (7 bar), no flow secondary pressure set 90 PSIG (6.2 bar), 10 PSIG pressure drop at rated flow.

** Useful retention refers to volume below the quiet zone baffle.

Materials of Construction

Adjustment Knob	Plastic	
Body	Zinc	
Bonnet, Internal Parts	Plastic	
Bowls	Plastic Bowl	Polycarbonate
	Metal Bowl	Zinc
Bowl Guard	Steel	
Diaphragm	Nitrile	
Drain	Plastic	
Filter Element	Sintered Plastic	
Seals	Nitrile	
Springs	Steel	
Valve Assembly	Brass	

CAUTION:

REGULATOR PRESSURE ADJUSTMENT – The working range of knob adjustment is designed to permit outlet pressures within their full range. Pressure adjustment beyond this range is also possible because the knob is not a limiting device. This is a common characteristic of most industrial regulators, and limiting devices may be obtained only by special design.

For best performance, regulated pressure should always be set by increasing the pressure up to the desired setting.

Replacement Bowl Kits

- Metal Bowl Guard..... GRP-96-345
- Metal Bowl –
 - Manual Drain GRP-96-348
 - Piston Drain GRP-96-353
 - Sight Gauge / Manual Drain GRP-96-349
 - Sight Gauge / Piston Drain..... GRP-96-352
- Plastic Bowl –
 - Manual Drain GRP-96-347
 - Piston Drain GRP-96-351

Replacement Element Kits

- 5 Micron..... GRP-96-344
- 40 Micron..... GRP-96-343

Replacement Kits

- Bonnet Assembly Kit RRP-96-308
- Control Knob RRP-96-312
- Service Kit, Relieving..... RRP-96-305
- Springs, Regulating –
 - 1 to 15 PSIG (0.06 to 1.7 bar)..... RRP-96-311
 - 1 to 30 PSIG (0.06 to 2.1 bar)..... RRP-96-303
 - 1 to 60 PSIG (0.06 to 4.1 bar)..... RRP-96-302
 - 2 to 125 PSIG (0.13 to 8.6 bar)..... RRP-96-301
 - 2 to 200 PSIG (0.13 to 17.2 bar)..... RRP-96-304

Accessories

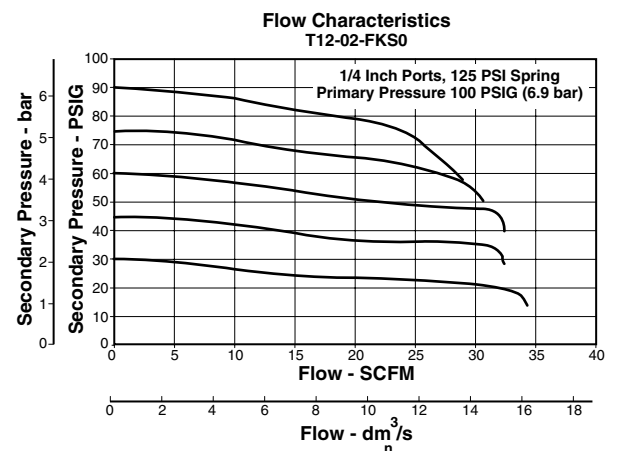
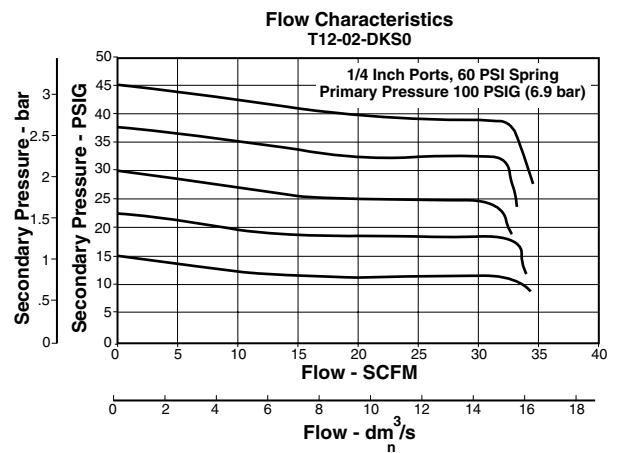
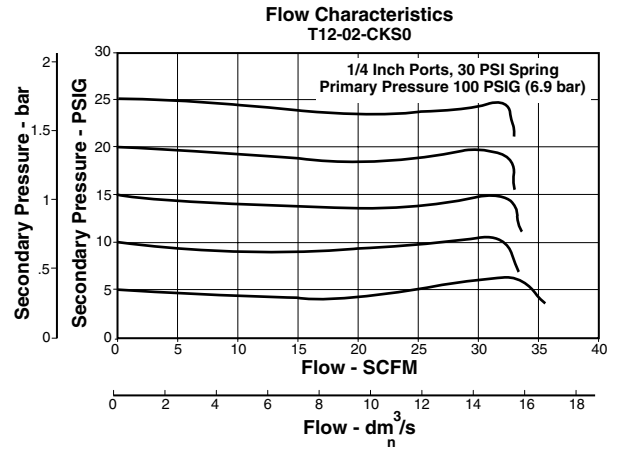
- Drain Kit –
 - Manual Drain GRP-96-340
 - Piston Drain GRP-96-354
- Mounting Bracket Kit (With Panel Mount Nut)..... GPA-96-313
- Panel Mount Nut, Metal..... GPA-96-314
- Sight Gauge Kit GRP-96-346

Ordering Information

Model Type	Port Size	Plastic Bowl / Bowl Guard / Manual Drain	Plastic Bowl/ Bowl Guard / Piston Drain	Metal Bowl / Bowl Guard / Sight Gauge / Manual Drain	Metal Bowl / Sight Gauge / Piston Drain
Relieving	1/4	T12-02-FKS0	T12-02-FRS0	T12-02-FLS0	T12-02-FSS0
	3/8	T12-03-FKS0	T12-03-FRS0	T12-03-FLS0	T12-03-FSS0

Options - To order an option supplied with the unit model, add the appropriate coded suffix letter in the designated position of the model number.

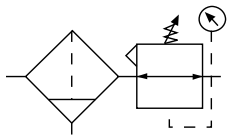
= "Most Popular"



B

Filter / Regulator B18

= "Most Popular"



B18-02-FKG0

Features

- 5 Micron Filtration
- Balanced Valve Design
- Spring Loaded Diaphragm
- 1/2" NPT / BSPP-G Over-Ported
- Quick-Disconnect Bowl / Bowl Guard
- Light Weight
- High Flow Capacities

Specifications

Flow Capacity*	1/4	88 SCFM (41.5 dm ³ /s)
	3/8	117 SCFM (55.2 dm ³ /s)
	1/2	121 SCFM (57.1 dm ³ /s)
Adjusting Range Pressure	0 to 30 PSIG (0 to 2.1 bar)	
	0 to 60 PSIG (0 to 4.1 bar)	
	0 to 125 PSIG (0 to 8.6 bar)	
	0 to 250 PSIG (0 to 17.2 bar)	
Gauge Port (2 ea.)	NPT / BSPP-G	1/4
Maximum Supply Pressure	Plastic Bowl	150 PSIG (10.3 bar)
	Metal Bowl	250 PSIG (17.2 bar)
Operating Temperature	Plastic Bowl	32° to 125°F (0° to 52°C)
	Metal Bowl	32° to 150°F (0° to 65.5°C)
Port Size	NPT / BSPP-G	1/4, 3/8, 1/2
Standard Filtration	Micron	5
Useful Retention**	oz. (cm ³)	1.72 (50.9)
Weight	lb. (kg)	1.48 (0.67)

* Inlet pressure 100 PSIG (6.9 bar). Secondary pressure 90 PSIG (6.2 bar).

** Useful retention refers to volume below the quiet zone baffle.

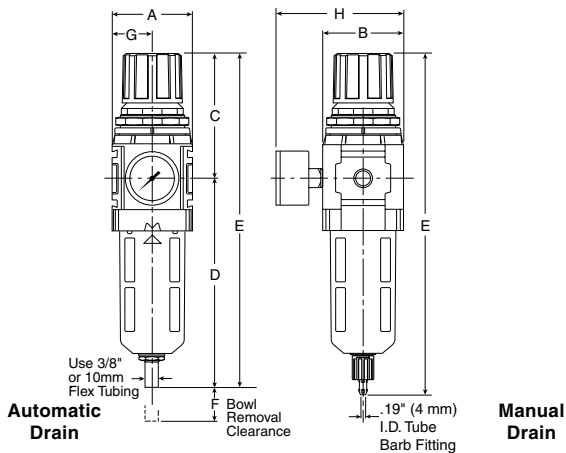
"F" Series Filters, Type "A" 5 micron elements: All Wilkerson Type "A" 5 micron elements **meet or exceed ISO Class 3** for maximum particle size and concentration of solid contaminants.

Materials of Construction

Adjustment Knob	Acetal	
Body	Zinc	
Body Cap	ABS	
Bowl	Plastic Bowl	Polycarbonate
	Metal Bowl	Aluminum
Bowl Guard	Nylon	
Diaphragm Assembly	Nitrile / Zinc	
Element Retainer / Baffle	Acetal	
Filter Element	Sintered Polyethylene	
Panel Nut	Acetal	
Seals	Plastic Bowl	Nitrile
	Metal Bowl	Nitrile
Sight Gauge	Metal Bowl	Polyamide (Nylon)
Springs	Main Regulating / Valve	Steel / S.S.
Valve Assembly	Brass / Nitrile	

⚠ WARNING

**Product rupture can cause serious injury.
Do not connect regulator to bottled gas.
Do not exceed maximum primary pressure rating.**



Dimensions

Models	Inches (mm)	A	B	C	D	E	F	G	H
Standard Unit with Manual Drain B18-XX-FK00		2.36 (60)	2.36 (60)	3.66 (93)	6.34 (161)	10.00 (254)	1.60 (41)	1.20 (30)	3.74 (95)
Automatic Drain B18-XX-FG00		2.36 (60)	2.36 (60)	3.66 (93)	6.11 (155)	9.77 (248)	1.60 (41)	1.20 (30)	3.74 (95)
Metal Bowl with Sight Gauge / Manual Drain		2.36 (60)	2.70 (69)	3.66 (93)	6.34 (161)	10.00 (254)	1.60 (41)	1.20 (30)	3.74 (95)
Metal Bowl with Sight Gauge / Automatic Drain		2.36 (60)	2.70 (69)	3.66 (93)	6.11 (155)	9.77 (248)	1.60 (41)	1.20 (30)	3.74 (95)

CAUTION:

REGULATOR PRESSURE ADJUSTMENT – The working range of knob adjustment is designed to permit outlet pressures within their full range. Pressure adjustment beyond this range is also possible because the knob is not a limiting device. This is a common characteristic of most industrial regulators, and limiting devices may be obtained only by special design.

For best performance, regulated pressure should always be set by increasing the pressure up to the desired setting.

= "Most Popular"

Replacement Bowl Kits

- Metal Bowl –
 - Sight Gauge, Automatic Drain GRP-96-637
 - Sight Gauge, Manual Drain GRP-96-636
- Plastic Bowl –
 - Bowl Guard, Automatic Drain GRP-96-635
 - Bowl Guard, Manual Drain GRP-96-634
 - Bowl Guard, No Drain GRP-96-638

Replacement Element Kits

- Type "A", 5 Micron FRP-96-639
- Retainer, Deflector, and Element Kit FRP-96-641

Replacement Kits

- Adjusting Knob RRP-16-340-000
- Diaphragm Assembly –
 - Non-relieving RRP-96-657
 - Relieving RRP-96-656
- Spring, Regulating –
 - 0 to 30 PSIG (0 to 2.1 bar) RRP-96-659
 - 0 to 60 PSIG (0 to 4.1 bar) RRP-96-660
 - 0 to 125 PSIG (0 to 8.6 bar) RRP-96-661
 - 0 to 250 PSIG (0 to 17.2 bar) RRP-96-662
- Valve Assembly RRP-96-658

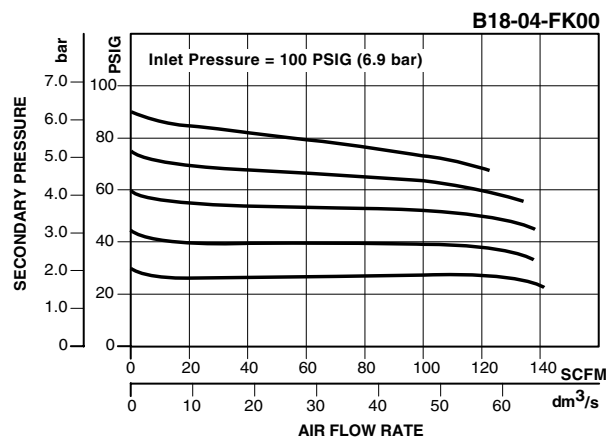
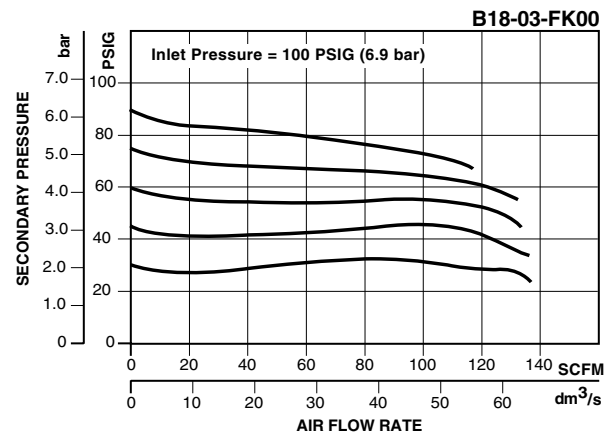
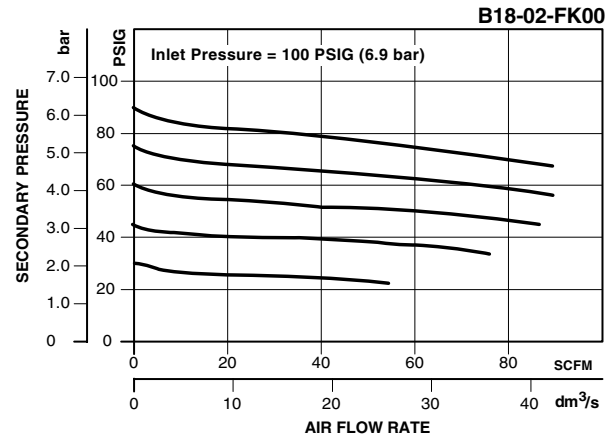
Accessories

- Automatic Drain –
 - Fluorocarbon GRP-95-981
 - Nitrile GRP-95-973
- Drain, Manual Override GRP-96-000
- Manual Drain GRP-96-685
- Panel Mount Nut –
 - Aluminum RRP-96-673
 - Plastic RRP-96-675
- Pressure Gauge –
 - 0 to 30 PSIG, 1-1/2" Dial Face, 1/4 NPT CBM ... K4515N14030
 - 0 to 60 PSIG, 1-1/2" Dial Face, 1/4 NPT CBM ... K4515N14060
 - 0 to 160 PSIG, 1-1/2" Dial Face, 1/4 NPT CBM ..K4515N14160
 - 0 to 300 PSIG, 1-1/2" Dial Face, 1/4 NPT CBM . K4515N14300
 - 0 to 2.0 bar, 1-1/2" Dial Face, G 1/4 CBM K4515G14030
 - 0 to 4.1 bar, 1-1/2" Dial Face, G 1/4 CBM..... K4515G14060
 - 0 to 11 bar, 1-1/2" Dial Face, G 1/4 CBM..... K4515G14160
 - 0 to 21 bar, 1-1/2" Dial Face, G 1/4 CBM K4515G14290
- Tamper Resistant Kit RRP-96-671
- Sight Gauge Kit GRP-96-825
- Wall Mounting Bracket
 - L-Type (Body) GPA-96-604
 - L-Type (Bonnet) GPA-96-606
 - T-Type GPA-96-602

Ordering Information

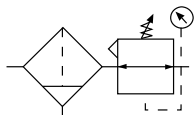
Model Type	Port Size	Plastic Bowl / Bowl Guard With Gauge 5 to 125 PSIG (0.4 to 8.6 bar)	Plastic Bowl / Bowl Guard With Gauge 3 to 60 PSIG (0.2 to 4.1 bar)	Metal Bowl / Sight Gauge With Gauge 10 to 250 PSIG (0.7 to 17.2 bar)	Plastic Bowl / Bowl Guard Without Gauge 5 to 125 PSIG (0.4 to 8.6 bar)	Plastic Bowl / Bowl Guard Without Gauge 3 to 60 PSIG (0.2 to 4.1 bar)	Metal Bowl / Sight Gauge Without Gauge 10 to 250 PSIG (0.7 to 17.2 bar)
Manual Drain	1/4	B18-02-FKG0	B18-02-DKG0	B18-02-GLG0	B18-02-FK00	B18-02-DK00	B18-02-GL00
	3/8	B18-03-FKG0	B18-03-DKG0	B18-03-GLG0	B18-03-FK00	B18-03-DK00	B18-03-GL00
	1/2	B18-04-FKG0	B18-04-DKG0	B18-04-GLG0	B18-04-FK00	B18-04-DK00	B18-04-GL00
Automatic Drain	1/4	B18-02-FGG0	B18-02-DGG0	B18-02-GHG0	B18-02-FG00	B18-02-DG00	B18-02-GH00
	3/8	B18-03-FGG0	B18-03-DGG0	B18-03-GHG0	B18-03-FG00	B18-03-DG00	B18-03-GH00
	1/2	B18-04-FGG0	B18-04-DGG0	B18-04-GHG0	B18-04-FG00	B18-04-DG00	B18-04-GH00

Options - To order an option supplied with the unit model, add the appropriate coded suffix letter in the designated position of the model number.



B

Filter / Regulator B28



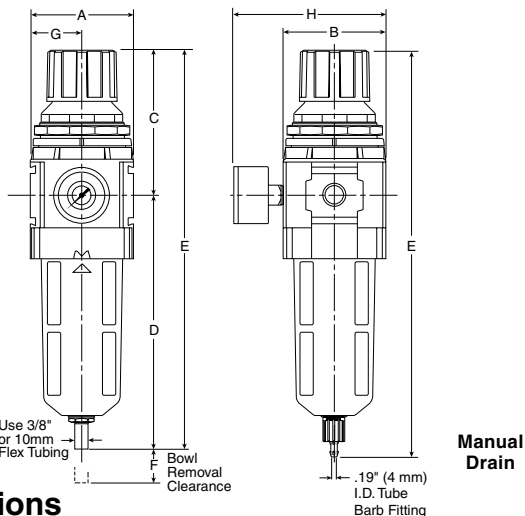
B28-03-FKG0

Features

- 5 Micron Filtration
- Balanced Valve Design
- Spring Loaded Diaphragm
- 3/4" NPT / BSPP-G Over-Ported
- Quick-Disconnect Bowl / Bowl Guard
- Light Weight
- High Flow Capacities

WARNING

**Product rupture can cause serious injury.
Do not connect regulator to bottled gas.
Do not exceed maximum primary pressure rating.**



Dimensions

Models	Inches (mm)	A	B	C	D	E	F	G	H
Standard Unit with Manual Drain B28-XX-FK00		2.90 (74)	2.90 (74)	4.09 (104)	7.35 (187)	11.44 (291)	2.00 (51)	1.44 (37)	4.27 (108)
Automatic Drain B28-XX-FG00		2.90 (74)	2.90 (74)	4.09 (104)	7.12 (181)	11.21 (285)	2.00 (51)	1.44 (37)	4.27 (108)
Metal Bowl with Sight Gauge / Manual Drain		2.90 (74)	3.23 (82)	4.09 (104)	7.35 (187)	11.44 (291)	2.00 (51)	1.44 (37)	4.27 (108)
Metal Bowl with Sight Gauge / Automatic Drain		2.90 (74)	3.23 (82)	4.09 (104)	7.12 (181)	11.21 (285)	2.00 (51)	1.44 (37)	4.27 (108)

= "Most Popular"

Specifications

Flow Capacity*	3/8	140 SCFM (66.1 dm ³ /s)
	1/2	165 SCFM (77.9 dm ³ /s)
	3/4	175 SCFM (82.6 dm ³ /s)
Adjusting Range Pressure		0 to 30 PSIG (0 to 2.1 bar)
		0 to 60 PSIG (0 to 4.1 bar)
		0 to 125 PSIG (0 to 8.6 bar)
		0 to 250 PSIG (0 to 17.2 bar)
Gauge Port (2 ea.)	NPT / BSPP-G	1/4
Maximum Supply Pressure	Plastic Bowl	150 PSIG (10.3 bar)
	Metal Bowl	250 PSIG (17.2 bar)
Operating Temperature	Plastic Bowl	32° to 125°F (0° to 52°C)
	Metal Bowl	32° to 150°F (0° to 65.5°C)
Port Size	NPT / BSPP-G	3/8, 1/2, 3/4
Standard Filtration	Micron	5
Useful Retention**	oz. (cm ³)	2.87 (84.9)
Weight	lb. (kg)	2.45 (1.1)

*Inlet pressure 100 PSIG (6.9 bar). Secondary pressure 90 PSIG (6.2 bar).

** Useful retention refers to volume below the quiet zone baffle.

"F" Series Filters, Type "A" 5 micron elements: All Wilkerson Type "A" 5 micron elements **meet or exceed ISO Class 3** for maximum particle size and concentration of solid contaminants.

Materials of Construction

Adjustment Knob		Acetal
Body		Zinc
Body Cap		ABS
Bowls	Plastic Bowl	Polycarbonate
	Metal Bowl	Aluminum
Diaphragm Assembly		Nitrile / Zinc
Element Retainer / Baffle		Acetal
Filter Element		Sintered Polyethylene
Panel Nut		Acetal
Seals	Plastic Bowl	Nitrile
	Metal Bowl	Nitrile
Sight Gauge	Metal Bowl	Polyamide (Nylon)
Springs	Main Regulating / Valve	Steel / S.S.
Valve Assembly		Brass / Nitrile

CAUTION:

REGULATOR PRESSURE ADJUSTMENT – The working range of knob adjustment is designed to permit outlet pressures within their full range. Pressure adjustment beyond this range is also possible because the knob is not a limiting device. This is a common characteristic of most industrial regulators, and limiting devices may be obtained only by special design.

For best performance, regulated pressure should always be set by increasing the pressure up to the desired setting.

= "Most Popular"

Replacement Bowl Kits

- Metal Bowl –
 - Sight Gauge, Automatic Drain GRP-96-645
 - Sight Gauge, Manual Drain GRP-96-644
- Plastic Bowl –
 - Bowl Guard, Automatic Drain GRP-96-643
 - Bowl Guard, Manual Drain GRP-96-642
 - Bowl Guard, No Drain GRP-96-652

Replacement Element Kits

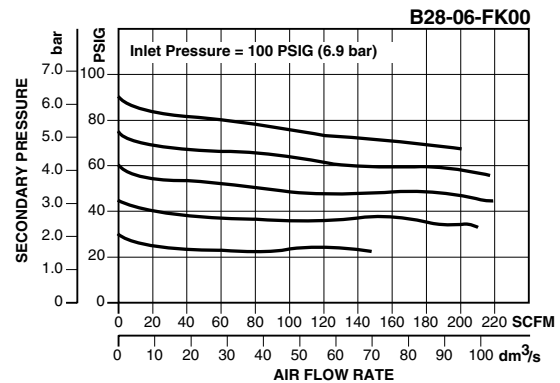
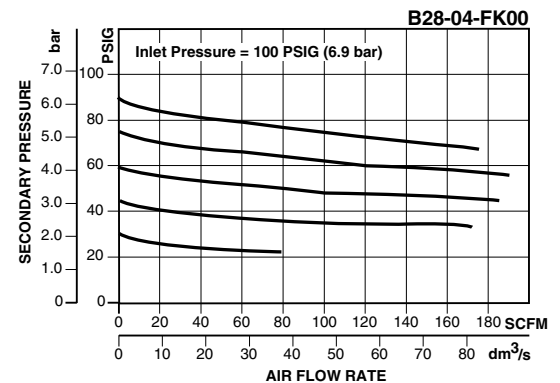
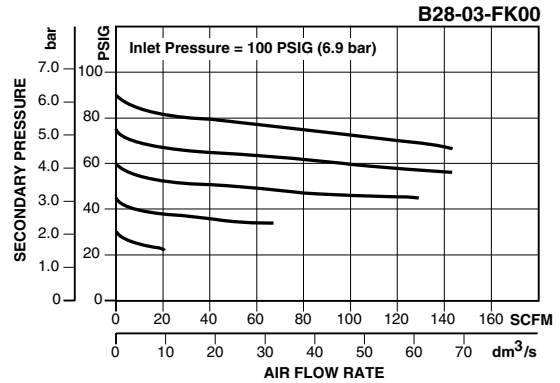
- Type "A", 5 Micron FRP-96-653
- Element, Deflector, Retainer kit FRP-96-283

Replacement Kits

- Adjusting Knob RRP-16-341-000
- Diaphragm Assembly –
 - Non-relieving RRP-96-987
 - Relieving RRP-96-986
- Spring, Regulating –
 - 0 to 30 PSIG (0 to 2.1 bar) RRP-96-163
 - 0 to 60 PSIG (0 to 4.1 bar) RRP-96-164
 - 0 to 125 PSIG (0 to 8.6 bar) RRP-96-165
 - 0 to 250 PSIG (0 to 17.2 bar) RRP-96-166
- Valve Assembly RRP-96-049

Accessories

- Automatic Drain –
 - Fluorocarbon GRP-95-981
 - Nitrile GRP-95-973
- Manual Drain GRP-96-685
- Panel Mount Nut –
 - Aluminum RRP-96-674
 - Plastic RRP-96-676
- Pressure Gauge –
 - 0 to 30 PSIG, 1-1/2" Dial Face, 1/4 NPT CBM ... K4515N14030
 - 0 to 60 PSIG, 1-1/2" Dial Face, 1/4 NPT CBM ... K4515N14060
 - 0 to 160 PSIG, 1-1/2" Dial Face, 1/4 NPT CBM ..K4515N14160
 - 0 to 300 PSIG, 1-1/2" Dial Face, 1/4 NPT CBM .K4515N14300
 - 0 to 2.0 bar, 1-1/2" Dial Face, G 1/4 CBM K4515G14030
 - 0 to 4.1 bar, 1-1/2" Dial Face, G 1/4 CBM..... K4515G14060
 - 0 to 11 bar, 1-1/2" Dial Face, G 1/4 CBM..... K4515G14160
 - 0 to 21 bar, 1-1/2" Dial Face, G 1/4 CBM K4515G14290
- Tamper Resistant Kit RRP-96-672
- Sight Gauge Kit GRP-96-825
- Wall Mounting Bracket –
 - L-Type (Body) GPA-96-605
 - L-Type (Bonnet). GPA-96-607
 - T-Type GPA-96-602



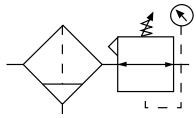
Ordering Information

Model Type	Port Size	Plastic Bowl / Bowl Guard With Gauge 5 to 125 PSIG (0.4 to 8.6 bar)	Plastic Bowl / Bowl Guard With Gauge 3 to 60 PSIG (0.2 to 4.1 bar)	Metal Bowl / Sight Gauge With Gauge 10 to 250 PSIG (0.7 to 17.2 bar)	Plastic Bowl / Bowl Guard Without Gauge 5 to 125 PSIG (0.4 to 8.6 bar)	Plastic Bowl / Bowl Guard Without Gauge 3 to 60 PSIG (0.2 to 4.1 bar)	Metal Bowl / Sight Gauge Without Gauge 10 to 250 PSIG (0.7 to 17.2 bar)
Manual Drain	3/8	B28-03-FKG0	B28-03-DKG0	B28-03-GLG0	B28-03-FK00	B28-03-DK00	B28-03-GL00
	1/2	B28-04-FKG0	B28-04-DKG0	B28-04-GLG0	B28-04-FK00	B28-04-DK00	B28-04-GL00
	3/4	B28-06-FKG0	B28-06-DKG0	B28-06-GLG0	B28-06-FK00	B28-06-DK00	B28-06-GL00
Automatic Drain	3/8	B28-03-FGG0	B28-03-DGG0	B28-03-GHG0	B28-03-FG00	B28-03-DG00	B28-03-GH00
	1/2	B28-04-FGG0	B28-04-DGG0	B28-04-GHG0	B28-04-FG00	B28-04-DG00	B28-04-GH00
	3/4	B28-06-FGG0	B28-06-DGG0	B28-06-GHG0	B28-06-FG00	B28-06-DG00	B28-06-GH00

Options - To order an option supplied with the unit model, add the appropriate coded suffix letter in the designated position of the model number.

B

Filter / Regulator B39



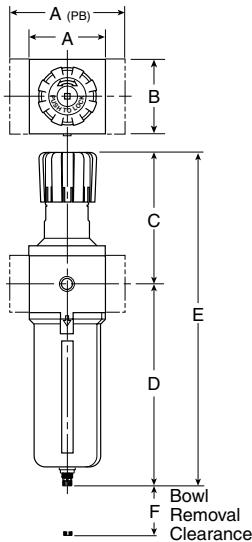
B39-06-FL00

Features

- 5 Micron Filtration
- Balanced Valve Design
- Solid Control Piston for Extended Life
- 3/4" and 1" NPT Ports
- Port Blocks Available for BSPP Thread and 1-1/2" Port
- Quick Disconnect Bowl
- High Flow Capacities

WARNING

**Product rupture can cause serious injury.
Do not connect regulator to bottled gas.
Do not exceed maximum primary pressure rating.**



Dimensions

Models	Inches (mm)	A	A (PB)	B	C	D†	E†	F
Standard Unit B39-XX-FL00		3.62 (92)	5.91 (150)	3.62 (92)	6.38 (162)	9.57 (243)	15.95 (405)	4.92 (125)

† With Manual or Internal Auto Drain

= "Most Popular"

Specifications

Flow Capacity*	3/4	250 SCFM (118 dm ³ /s)
	1	250 SCFM (118 dm ³ /s)
Adjusting Range Pressure	0 to 125 PSIG (0 to 8.6 bar)	
Gauge Port	NPT	1/4
Maximum Supply Pressure	250 PSIG (17 bar)	
Operating Temperature	32° to 175°F (0° to 80°C)	
Port Size†	NPT	3/4, 1
Standard Filtration***	Micron	5
Useful Retention**	oz. (cm ³)	6.8 (200)
Weight	lb. (kg)	5.3 (2.4)

* Inlet pressure 100 PSIG (6.9 bar). Secondary pressure 90 PSIG (6.2 bar).

** Useful retention refers to volume below the quiet zone baffle.

† Port blocks available for BSPP thread & 1-1/2" port.

*****Type "A" 5 micron elements:** All Wilkerson Type "A" 5 micron elements **meet or exceed ISO Class 3** for maximum particle size and concentration of solid contaminants.

Materials of Construction

Body & Bowl	Aluminum
Element Retainer, Deflector and Baffle	Plastic
Filter Element	Sintered Polyethylene
Piston	Plastic
Seals	Nitrile
Sight Gauge	Polyamide (Nylon)
Springs	Steel
Valve Assembly	Brass / Nitrile

CAUTION:

REGULATOR PRESSURE ADJUSTMENT – The working range of knob adjustment is designed to permit outlet pressures within their full range. Pressure adjustment beyond this range is also possible because the knob is not a limiting device. This is a common characteristic of most industrial regulators, and limiting devices may be obtained only by special design.

For best performance, regulated pressure should always be set by increasing the pressure up to the desired setting.

= "Most Popular"

Replacement Bowl Kits

- Metal Bowl –
- Sight Gauge / Internal Auto Drain P3NKA00BSA
- Sight Gauge / Manual Drain P3NKA00BSM

Replacement Element Kits

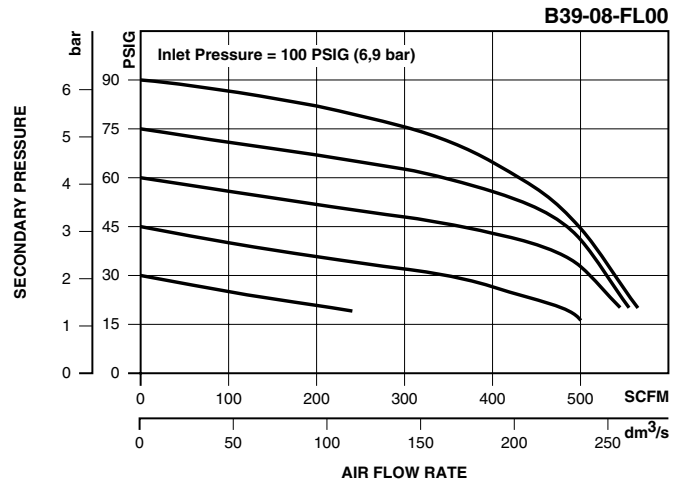
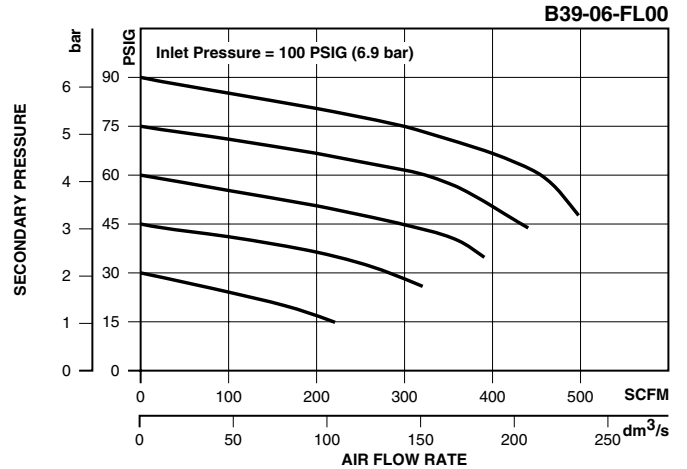
- 40 Micron..... P3NKA00ESG
- 5 Micron..... P3NKA00ESE
- Activated Charcoal P3NKA00ESA

Replacement Kits

- Service Kit –
- Relieving P3NKA00RR
- Non-relieving P3NKA00RN
- Springs –
- 1 to 60 PSIG Range..... C10A1304
- 2 to 125 PSIG Range..... C10A1308
- 5 to 250 PSIG Range..... C10A1317

Accessories

- Bowl Latch Kit C11A33
- Control Knob P3NKA00PN
- Drain Kit –
- Internal Auto Drain..... PS506
- Manual Drain PS512
- Gauges –
- 60 PSIG (0 to 4 bar)..... K4520N14060
- 160 PSIG (0 to 11 bar)..... K4520N14160
- 300 PSIG (0 to 20 bar)..... K4520N14300
- Mounting Bracket Kit P3NKA00MW
- Sight Gauge Kit P3NKA00PE



Ordering Information

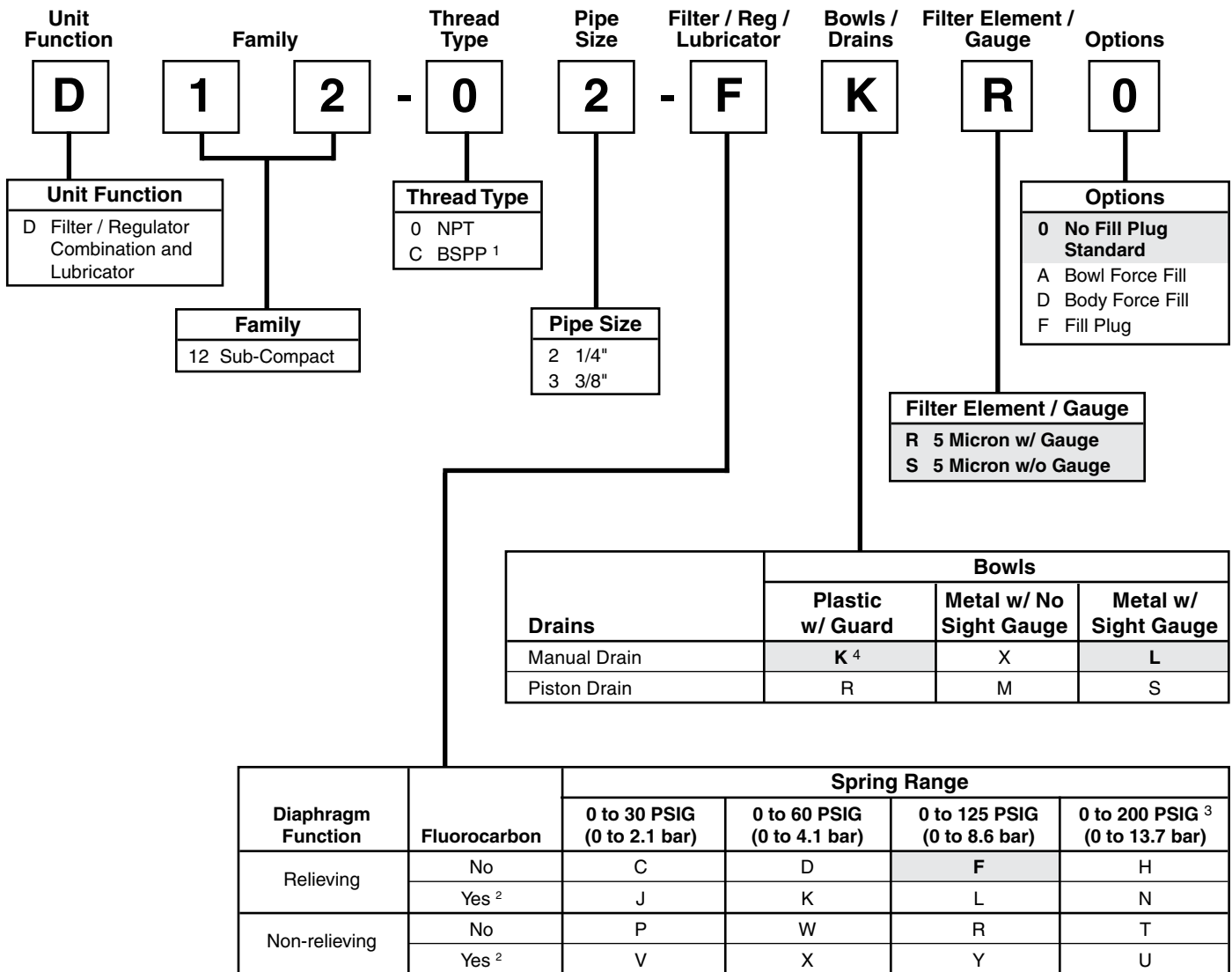
Model Type	Port Size	Metal Bowl / Sight Gauge Without Gauge 2 to 125 PSIG (0.4 to 8.6 bar)	Metal Bowl / Sight Gauge With Gauge 2 to 125 PSIG (0.4 to 8.6 bar)
Manual Drain	3/4	B39-06-FL00	B39-06-FLG0
	1	B39-08-FL00	B39-08-FLG0

Options - To order an option supplied with the unit model, add the appropriate coded suffix letter in the designated position of the model number.

B

Filter / Regulator-Lubricator Numbering System

 = "Most Popular"



¹ ISO, R228 (G Series)

² Fluorocarbon seals available only on units with metal bowl with manual drain.

³ 0 to 200 PSI (0 to 13,8 bar) pressure range available only on units with metal bowl.

⁴ Filter bowl selection only. Lubricator bowl material same as filter bowl (plastic or metal). Plastic lubricator bowl comes with closed end bowl as standard. Metal lubricator bowl comes with manual drain standard.

"F" Series Filters, Type "A" 5 micron elements: All Wilkerson Type "A" 5 micron elements **meet or exceed ISO** Class 3 for maximum particle size and concentration of solid contaminants.

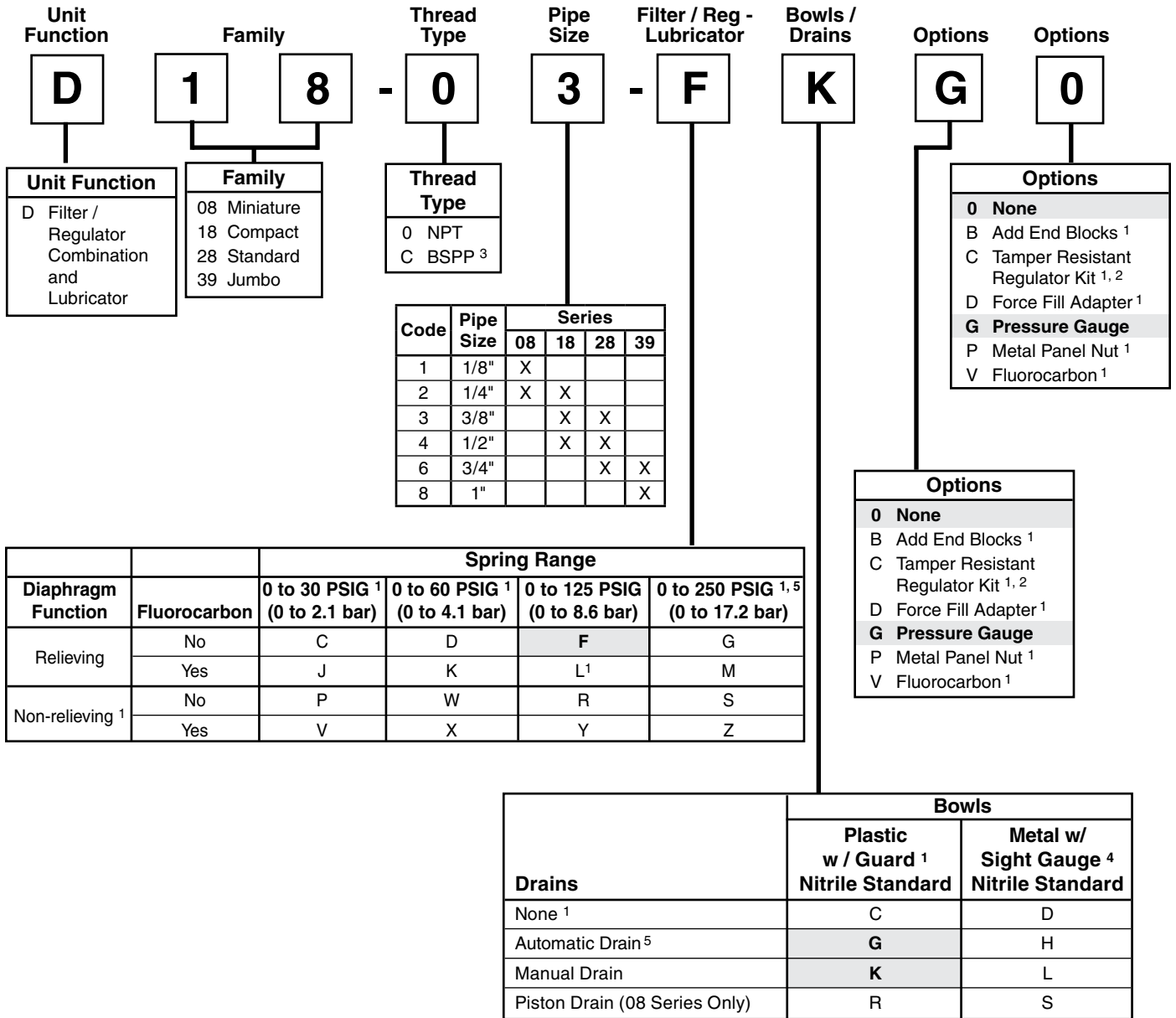
NOTE: All classes above refer to International Standards Organization (ISO) standard 8573-1, pertaining to maximum particle size and concentration of solid contaminants, and maximum oil content.

NOTE: When selecting from the options columns, please enter letters in alphabetical order for positions 7, 8, 9. For example:

D 1 2 - 0 2 - F K R 0

Filter / Regulator-Lubricator Numbering System

 = "Most Popular"



B

¹ Not Available on 39 Series.
² Tamper resistant kit not installed. Kit shipped loose in carton.
³ ISO, R228 (G Series).
⁴ 08 series has all metal bowl (no sight gauge).
⁵ Not Available on 08 Series.

NOTE: When selecting from the options columns, please enter letters in alphabetical order for positions 7, 8, 9. For example:

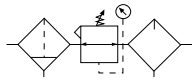
D 1 8 - 0 3 - F K G 0

"F" Series Filters, Type "A" 5 micron elements: All Wilkerson Type "A" 5 micron elements **meet or exceed ISO Class 3** for maximum particle size and concentration of solid contaminants.

Note: All classes above refer to International Standards Organization (ISO) standard 8573-1, pertaining to maximum particle size and concentration of solid contaminants, and maximum oil content.

Combination D08

= "Most Popular"



D08-02-FKG0

Features

- Components Integrated into Single Unit
- Modern Design and Appearance
- Light Weight, Ready-to-Mount Assembly Comes Standard with Flush-Mount Pressure Gauge and Modular T-Bracket / Joiner Assembly
- High Flow Capacity
- Quick-Disconnect Bowl / Bowl Guard

Specifications

Flow Capacity*	1/8	29 SCFM (13.7 dm ³ /s)
	1/4	44 SCFM (20.8 dm ³ /s)
Gauge Port (2 ea.)**	NPT	1/8
Maximum Supply Pressure	Plastic Bowl	150 PSIG (10.3 bar)
	Metal Bowl	250 PSIG (17.2 bar)
Operating Temperature	Plastic Bowl	32° to 125°F (0° to 52°C)
	Metal Bowl	32° to 150°F (0° to 65.5°C)
Port Size	NPT / BSPP-G	1/8, 1/4
Standard Filtration	Micron	5
Useful Retention	oz. (cm ³)	Filter 0.4 (12) Lubricator 0.6 (18)
Weight	lb. (kg)	1.43 (0.6)

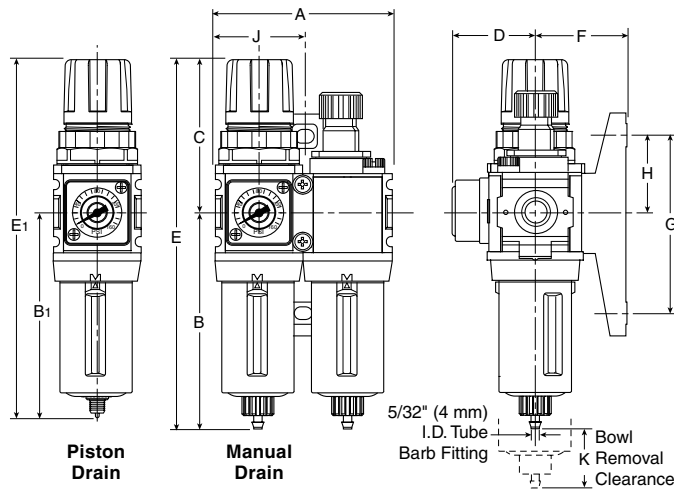
* Inlet pressure 100 PSIG (6.9 bar). Secondary pressure 90 PSIG (6.2 bar).

** Non-gauge option only.

"F" Series Filters, Type "A" 5 micron elements: All Wilkerson Type "A" 5 micron elements **meet or exceed ISO Class 3** for maximum particle size and concentration of solid contaminants.

Materials of Construction

Body	Zinc	
Bonnet	PBT	
Bowls	Plastic Bowl	Polycarbonate
	Metal Bowl	Zinc
Diaphragm Assembly	Brass / Nitrile	
Filter Element	Polyethylene	
Knob	Acetal	
Seals	Plastic Bowl	Nitrile
	Metal Bowl	Nitrile
Sight Dome	Polycarbonate	
Springs	Steel	
Suggested Lubricant	Airline Oil F442001	
Valve	Brass / Nitrile	



Dimensions

Models	Inches (mm)	A	B	B ₁	C	D	E	E ₁	F	G	H	J	K
Standard Unit D08-XX-FKG0		3.15 (80)	3.86 (98)	—	2.60 (66)	1.47 (37)	6.46 (164)	—	1.61 (41)	3.15 (80)	1.37 (35)	1.57 (40)	1.31 (33)
Piston Drain D08-XX-FKG0		3.15 (80)	—	3.64 (93)	2.60 (66)	1.47 (37)	—	6.24 (159)	1.61 (41)	3.15 (80)	1.37 (35)	1.57 (40)	1.31 (33)

Note: For Kits and Repair Parts, see individual pages for Filters, Regulators, and Lubricators.

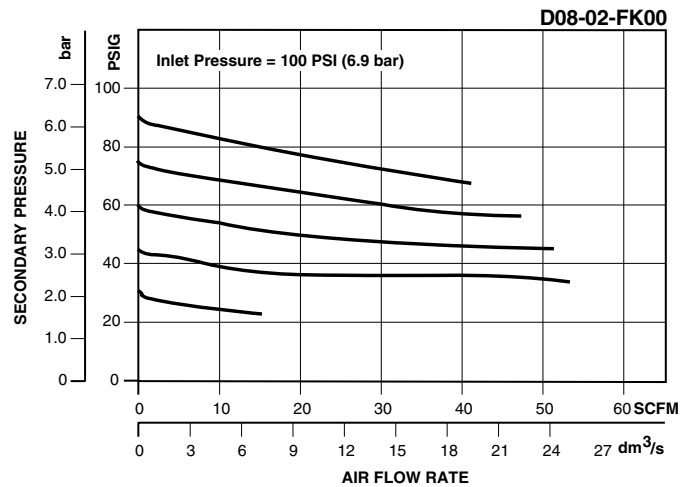
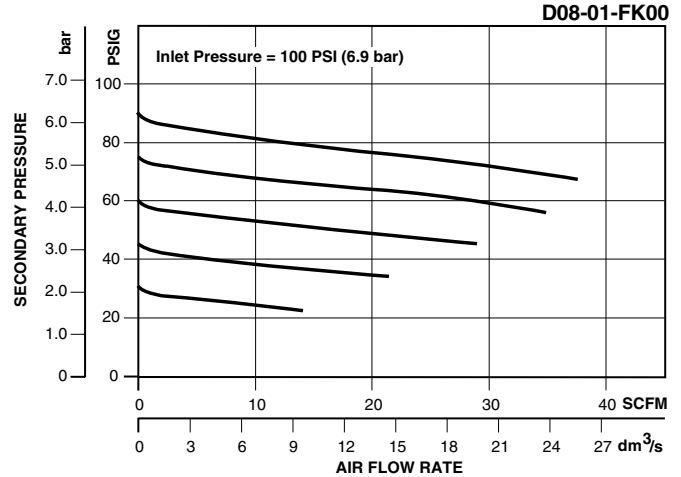
⚠ WARNING
Product rupture can cause serious injury. Do not connect regulator to bottled gas. Do not exceed maximum primary pressure rating.

CAUTION:

REGULATOR PRESSURE ADJUSTMENT – The working range of knob adjustment is designed to permit outlet pressures within their full range. Pressure adjustment beyond this range is also possible because the knob is not a limiting device. This is a common characteristic of most industrial regulators, and limiting devices may be obtained only by special design.

For best performance, regulated pressure should always be set by increasing the pressure up to the desired setting.

= "Most Popular"



Ordering Information

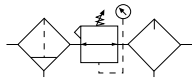
Model	Port Size	Plastic Bowl w / Plastic Bowl Guard 0 to 125 PSI (0 to 8.6 bar) Without Gauge	Plastic Bowl w / Plastic Bowl Guard 0 to 125 PSI (0 to 8.6 bar) With Gauge	Metal Bowl 0 to 125 PSI (0 to 8.6 bar) Without Gauge	Metal Bowl w / 0 to 125 PSI (0 to 8.6 bar) With Gauge
Manual Drain	1/8	D08-01-FK00	D08-01-FKG0	D08-01-FL00	D08-01-FLG0
	1/4	D08-02-FK00	D08-02-FKG0	D08-02-FL00	D08-02-FLG0
Piston Drain	1/8	D08-01-FR00	D08-01-FRG0	D08-01-FS00	D08-01-FSG0
	1/4	D08-02-FR00	D08-02-FRG0	D08-02-FS00	D08-02-FSG0

Options - To order an option supplied with the unit model, add the appropriate coded suffix letter in the designated position of the model number.



Combination D12

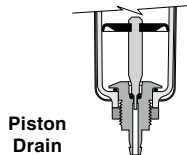
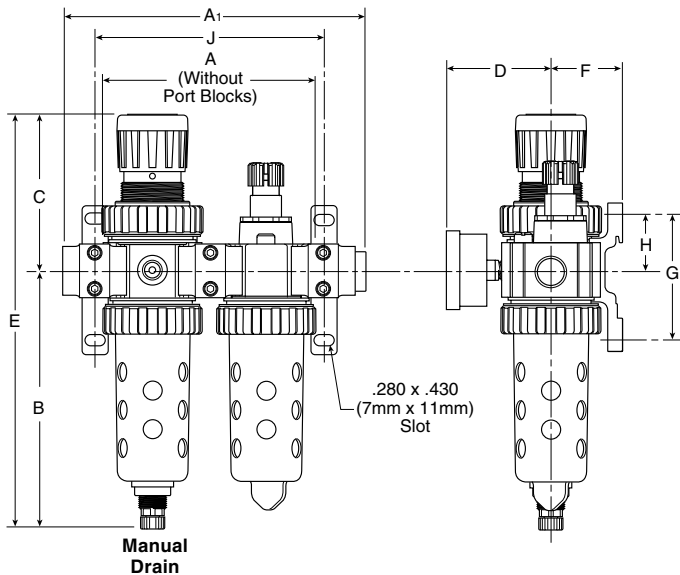
= "Most Popular"



D12-02-FKS0

Features

- See Individual Component Pages for Details
- Port Blocks, Manifold Block, Ball Valve and Wall Bracket Must Be Ordered Separately



NOTE: Barb (Piston Drain) accepts 3/16" ID tubing.

Specifications

Flow Capacity*	1/4	40 SCFM (18.9 dm ³ /s)
	3/8	40 SCFM (18.9 dm ³ /s)
Gauge Ports (2x)	NPT / BSPP-G	1/4
Maximum Supply Pressure	Plastic Bowl	150 PSIG (10.3 bar)
	Metal Bowl	250 PSIG (17.2 bar)
Operating Temperature	Plastic Bowl	32° to 125°F (0° to 52°C)
	Metal Bowl	32° to 175°F (0° to 80°C)
Port Size	NPT / BSPP-G	1/4, 3/8
Useful Retention	oz. (cc)	0.9 (26.6)
Weight	lb. (kg)	2.50 (1.13)

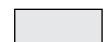
* Inlet pressure 100 PSIG (6.9 bar). Secondary pressure 90 PSIG (6.2 bar).

Materials of Construction


Body	Zinc	
Bowl Guard	Steel	
Bowls	Plastic Bowl	Polycarbonate
	Metal Bowl	Zinc
Collar	Plastic	
Drain-Manual	Body & Nut	Plastic
Seals	Nitrile	
Sight Dome	Polycarbonate	
Sight Gauge	Metal Bowl	Polyamide (Nylon)
Suggested Lubricant	Airline Oil F442001	

Dimensions

Model	Inches (mm)	A	A ₁	B	C	D	E	F	G	H	J
Standard Unit D12-XX-FKS0		4.33 (110)	6.38 (162)	5.35 (136)	3.15 (80)	2.05 (52)	8.50 (216)	1.45 (37)	2.60 (66)	1.14 (29)	4.72 (120)
Piston Drain D12-XX-FRS0		4.33 (110)	6.38 (162)	5.35 (136)	3.15 (80)	2.05 (52)	8.50 (216)	1.45 (37)	2.60 (66)	1.14 (29)	4.72 (120)

 = "Most Popular"

Note: For Kits and Repair Parts, see individual pages for Filters, Regulators, and Lubricators.

 WARNING
<p>Product rupture can cause serious injury. Do not connect regulator to bottled gas. Do not exceed maximum primary pressure rating.</p>

CAUTION:

REGULATOR PRESSURE ADJUSTMENT – The working range of knob adjustment is designed to permit outlet pressures within their full range. Pressure adjustment beyond this range is also possible because the knob is not a limiting device. This is a common characteristic of most industrial regulators, and limiting devices may be obtained only by special design.

For best performance, regulated pressure should always be set by increasing the pressure up to the desired setting.

B

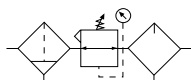
Ordering Information

Model	Port Size	Plastic Bowl w / Plastic Bowl Guard 0 to 125 PSI (0 to 8.6 bar) Without Gauge	Plastic Bowl w / Plastic Bowl Guard 0 to 125 PSI (0 to 8.6 bar) With Gauge	Metal Bowl 0 to 125 PSI (0 to 8.6 bar) Without Gauge	Metal Bowl 0 to 125 PSI (0 to 18.6 bar) With Gauge
Manual Drain	1/4	D12-02-FKS0	D12-02-FKR0	D12-02-FLS0	D12-02-FLR0
	3/8	D12-03-FKS0	D12-03-FKR0	D12-03-FLS0	D12-03-FLR0
Piston Drain	1/4	D12-02-FRS0	D12-02-FRR0	D12-02-FSS0	D12-02-FSR0
	3/8	D12-03-FRS0	D12-03-FRR0	D12-03-FSS0	D12-03-FSR0

Options - To order an option supplied with the unit model, add the appropriate coded suffix letter in the designated position of the model number.

Combination D18

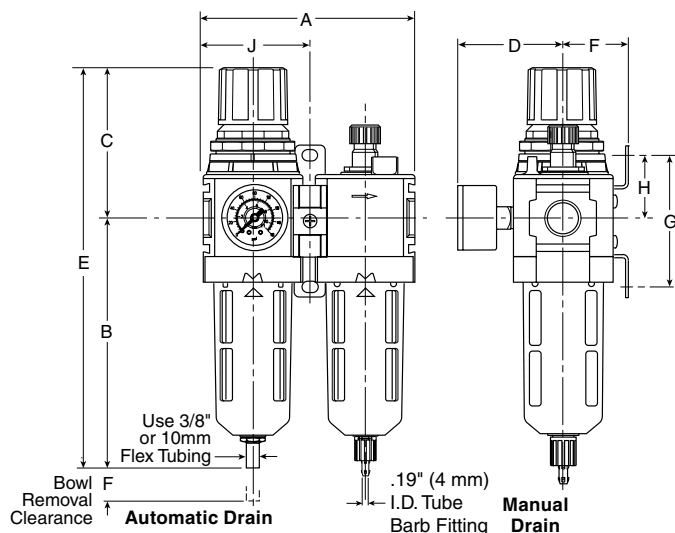
= "Most Popular"



D18-03-FKG0

Features

- Components Integrated into Single Unit
- Modern Design and Appearance
- Light Weight, Ready-to-Mount Assembly Comes Standard with Pressure Gauge and Modular T-Bracket / Joiner Assembly
- High Flow Capacity
- Quick-Disconnect Bowl / Bowl Guard
- Joiner Assembly / Connector Patent No. 5,383,689



Dimensions

Models	Inches (mm)	A	B	C	D	E	F	G	H	J
Standard Unit with Gauge D18-XX-FKG0		5.06 (128)	6.34 (161)	3.66 (93)	2.57 (65)	10.00 (254)	1.62 (41)	3.25 (83)	1.63 (41)	2.53 (64)
Standard Unit with Automatic Drain and Gauge D18-XX-FGG0		5.06 (128)	6.11 (155)	3.66 (93)	2.57 (65)	9.77 (248)	1.62 (41)	3.25 (83)	1.63 (41)	2.53 (64)
With End Blocks		7.74 (196)	—	—	—	—	—	—	—	3.87 (98)

Specifications

Flow Capacity*	1/4	100 SCFM (31.6 dm ³ /s)
	3/8	150 SCFM (49.6 dm ³ /s)
	1/2	175 SCFM (45.3 dm ³ /s)
Gauge Port (2 ea.)	NPT / BSPP-G	1/4
Maximum Supply Pressure	Plastic Bowl	150 PSIG (10.3 bar)
	Metal Bowl	250 PSIG (17.2 bar)
Operating Temperature	Plastic Bowl	32° to 125°F (0° to 52°C)
	Metal Bowl	32° to 150°F (0° to 65.5°C)
Port Size	NPT / BSPP-G	1/4, 3/8, 1/2
Standard Filtration	Micron	5
Useful Retention**	oz. (cm ³)	Filter 1.72 (50.9)
		Lubricator 4.09 (121)
Weight	lb. (kg)	2.98 (1.3)

* Inlet pressure 150 PSIG (6.9 bar). Secondary pressure 90 PSIG (6.2 bar).

** Useful retention refers to volume below the quiet zone baffle.

"F" Series Filters, Type "A" 5 micron elements: All Wilkerson Type "A" 5 micron elements **meet or exceed ISO Class 3** for maximum particle size and concentration of solid contaminants.

Materials of Construction

Body	Zinc	
Body Cap	ABS	
Bonnet / Knob	Nylon / Acetal	
Bowls	Plastic Bowl	Polycarbonate
	Metal Bowl	Aluminum
Diaphragm Assembly	Nitrile / Zinc	
Element Retainer / Baffle and Deflector	Acetal	
	Polypropylene	
Filter Element	5 micron	Polyethylene
Seals	Plastic Bowl	Nitrile
	Metal Bowl	Nitrile
Sight Dome	Polycarbonate	
Sight Gauge	Polyamide (Nylon)	
Springs	Main Regulating	Steel
	Valve	S.S.
Suggested Lubricant	Airline Oil F442001	
Valve Assembly	Brass / Nitrile	

Note: For Kits and Repair Parts, see individual pages for Filters, Regulators, and Lubricators.

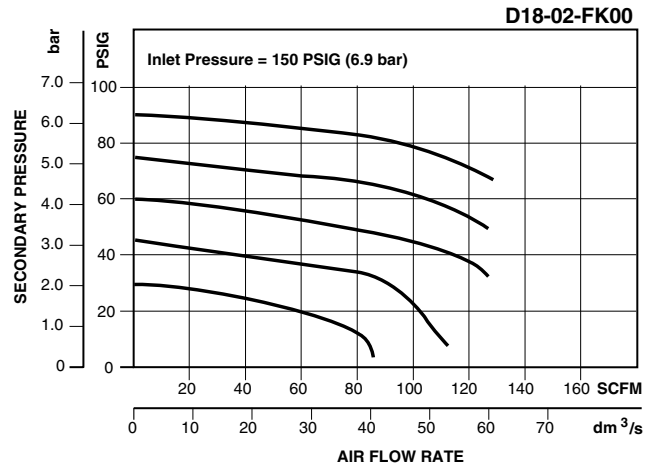
⚠ WARNING
Product rupture can cause serious injury. Do not connect regulator to bottled gas. Do not exceed maximum primary pressure rating.

CAUTION:

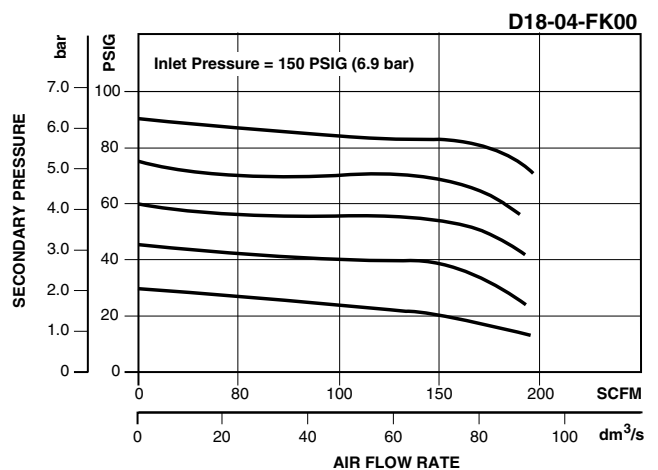
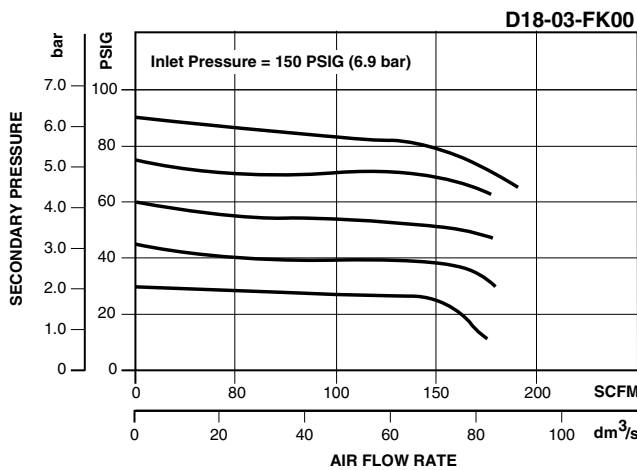
REGULATOR PRESSURE ADJUSTMENT – The working range of knob adjustment is designed to permit outlet pressures within their full range. Pressure adjustment beyond this range is also possible because the knob is not a limiting device. This is a common characteristic of most industrial regulators, and limiting devices may be obtained only by special design.

For best performance, regulated pressure should always be set by increasing the pressure up to the desired setting.

= "Most Popular"



B



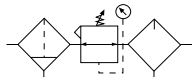
Ordering Information

Model Type	Port Size	Plastic Bowl / Bowl Guard Without Gauge 0 to 125 PSI (0 to 8.6 bar)	Plastic Bowl / Bowl Guard With Gauge 0 to 125 PSI (0 to 8.6 bar)	Metal Bowl / Sight Gauge Without Gauge 0 to 125 PSI (0 to 8.6 bar)	Metal Bowl / Sight Gauge With Gauge 0 to 125 PSI (0 to 8.6 bar)	Plastic Bowl / Bowl Guard / With Gauge With End Blocks 0 to 125 PSI (0 to 8.6 bar)
Manual Drain	1/4	D18-02-FK00	D18-02-FKG0	D18-02-FL00	D18-02-FLG0	D18-02-FKBG
	3/8	D18-03-FK00	D18-03-FKG0	D18-03-FL00	D18-03-FLG0	D18-03-FKBG
	1/2	D18-04-FK00	D18-04-FKG0	D18-04-FL00	D18-04-FLG0	D18-04-FKBG
Automatic Drain	1/4	D18-02-FG00	D18-02-FGG0	D18-02-FH00	D18-02-FHG0	D18-02-FGBG
	3/8	D18-03-FG00	D18-03-FGG0	D18-03-FH00	D18-03-FHG0	D18-03-FGBG
	1/2	D18-04-FG00	D18-04-FGG0	D18-04-FH00	D18-04-FHG0	D18-04-FGBG

Options - To order an option supplied with the unit model, add the appropriate coded suffix letter in the designated position of the model number.

Combination D28

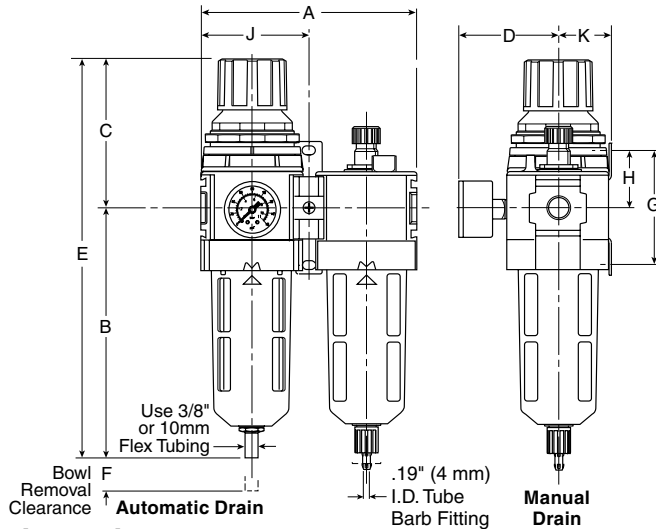
= "Most Popular"



D28-04-FKG0

Features

- Components Integrated into Single Unit
- Modern Design and Appearance
- Light Weight, Ready-to-Mount Assembly Comes Standard with Pressure Gauge and Modular T-Bracket / Joiner Assembly
- High Flow Capacity
- Quick-Disconnect Bowl / Bowl Guard
- Joiner Assembly / Connector Patent No. 5,383,689



Dimensions

Models	Inches (mm)	A	B	C	D	E	F	G	H	J	K
Standard Unit with Gauge D28-XX-FKG0		6.10 (155)	7.34 (186)	4.10 (104)	2.82 (72)	11.44 (291)	2.00 (51)	3.25 (83)	1.63 (41)	3.05 (77)	1.53 (39)
Standard Unit with Automatic Drain and Gauge D28-XX-FGG0		6.10 (155)	7.11 (181)	4.10 (104)	2.82 (72)	11.21 (285)	2.00 (51)	3.25 (83)	1.63 (41)	3.05 (77)	1.53 (39)
With End Blocks		8.78 (223)	—	—	—	—	—	—	—	4.39 (112)	—

Specifications

Flow Capacity*	3/8	105 SCFM (49.6 dm ³ /s)
	1/2	110 SCFM (51.9 dm ³ /s)
	3/4	130 SCFM (61.4 dm ³ /s)
Maximum Supply Pressure	Plastic Bowl	150 PSIG (10.3 bar)
	Metal Bowl	250 PSIG (17.2 bar)
Operating Temperature	Plastic Bowl	32° to 125°F (0° to 52°C)
	Metal Bowl	32° to 150°F (0° to 65.5°C)
Port Size	NPT/BSP	3/8, 1/2, 3/4
Standard Filtration	Micron	5
Useful Retention**	oz. (cm ³)	Filter 2.87 (85)
		Lubricator 6.11 (181)
Weight	lb. (kg)	4.65 (2.1)

* Inlet pressure 150 PSIG (6.9 bar). Secondary pressure 90 PSIG (6.2 bar).

** Useful retention refers to volume below the quiet zone baffle.

"F" Series Filters, Type "A" 5 micron elements: All Wilkerson Type "A" 5 micron elements **meet or exceed ISO Class 3** for maximum particle size and concentration of solid contaminants.

Materials of Construction

Body	Zinc	
Body Cap	ABS	
Bonnet / Knob	Nylon / Acetal	
Bowls	Plastic Bowl	Polycarbonate
	Metal Bowl	Aluminum
Diaphragm Assembly	Nitrile / Zinc	
Element Retainer / Baffle and Deflector	Acetal Polypropylene	
Filter Element	Polyethylene	
Seals	Plastic Bowl	Nitrile
	Metal Bowl	Nitrile
Sight Dome	Polycarbonate	
Sight Gauge	Metal Bowl	Polyamide (Nylon)
Springs	Main Regulating	Steel
	Valve	S.S.
Suggested Lubricant	Airline Oil F442001	
Valve Assembly	Brass / Nitrile / Acetal	

Note: For Kits and Repair Parts, see individual pages for Filters, Regulators, and Lubricators.

⚠ WARNING

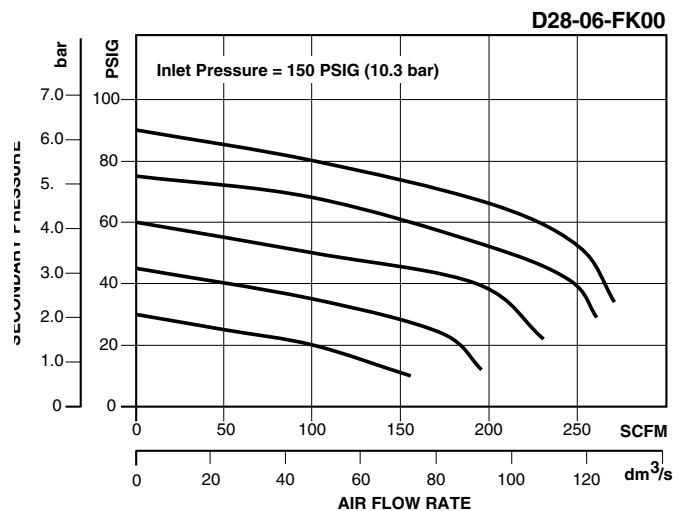
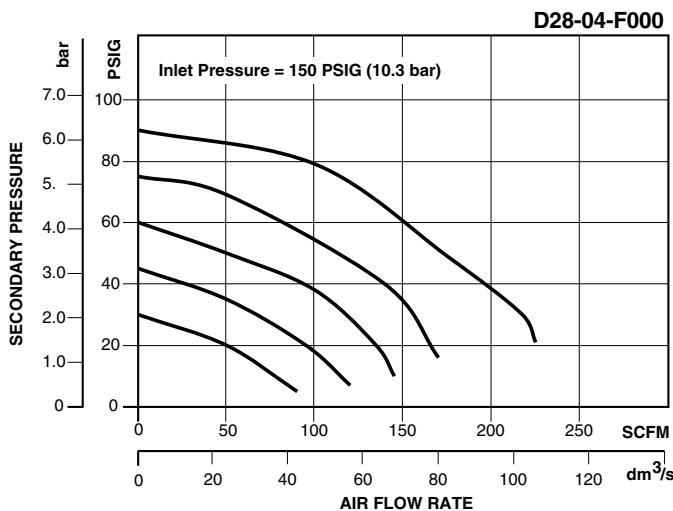
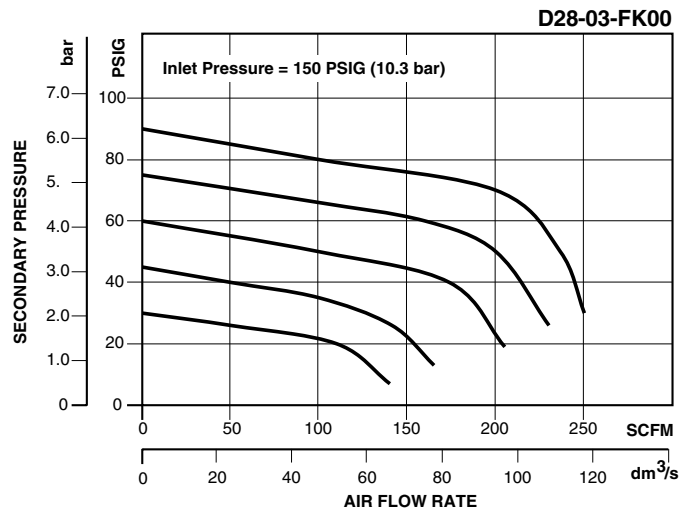
**Product rupture can cause serious injury.
Do not connect regulator to bottled gas.
Do not exceed maximum primary pressure rating.**

CAUTION:

REGULATOR PRESSURE ADJUSTMENT – The working range of knob adjustment is designed to permit outlet pressures within their full range. Pressure adjustment beyond this range is also possible because the knob is not a limiting device. This is a common characteristic of most industrial regulators, and limiting devices may be obtained only by special design.

For best performance, regulated pressure should always be set by increasing the pressure up to the desired setting.

= "Most Popular"



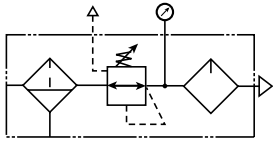
Ordering Information

Model Type	Port Size	Plastic Bowl / Bowl Guard Without Gauge 0 to 125 PSI (0 to 8.6 bar)	Plastic Bowl / Bowl Guard With Gauge 0 to 125 PSI (0 to 8.6 bar)	Metal Bowl / Sight Gauge Without Gauge 0 to 125 PSI (0 to 8.6 bar)	Metal Bowl / Sight Gauge With Gauge 0 to 125 PSI (0 to 8.6 bar)	Plastic Bowl / Bowl Guard / With Gauge With End Blocks 0 to 125 PSI (0 to 8.6 bar)
Manual Drain	3/8	D28-03-FK00	D28-03-FKG0	D28-03-FL00	D28-03-FLG0	D28-03-FKBG
	1/2	D28-04-FK00	D28-04-FKG0	D28-04-FL00	D28-04-FLG0	D28-04-FKBG
	3/4	D28-06-FK00	D28-06-FKG0	D28-06-FL00	D28-06-FLG0	D28-06-FKBG
Automatic Drain	3/8	D28-03-FG00	D28-03-FGG0	D28-03-FH00	D28-03-FHG0	D28-03-FGBG
	1/2	D28-04-FG00	D28-04-FGG0	D28-04-FH00	D28-04-FHG0	D28-04-FGBG
	3/4	D28-06-FG00	D28-06-FGG0	D28-06-FH00	D28-06-FHG0	D28-06-FGBG

Options - To order an option supplied with the unit model, add the appropriate coded suffix letter in the designated position of the model number.

B

Combination D39



= "Most Popular"

Specifications

Flow Capacity*	1	250 SCFM (118 dm ³ /s)
Adjusting Range Pressure		0 to 125 PSIG (0 to 8.6 bar)
Gauge Port		1/4
Maximum Supply Pressure		250 PSIG (17 bar)
Operating Temperature		32° to 175°F (0° to 80°C)
Port Size†	NPT	1
Standard Filtration***	Micron	5
Useful Retention**	oz. (cm ³)	6.8 (200)
Weight	lb. (kg)	5.3 (2.4)

* Inlet pressure 100 PSIG (6.9 bar). Secondary pressure 90 PSIG (6.2 bar).

** Useful retention refers to volume below the quiet zone baffle.

“F” Series Filters, Type “A” 5 micron elements: All Wilkerson Type “A” 5 micron elements **meet or exceed ISO Class 3** for maximum particle size and concentration of solid contaminants.

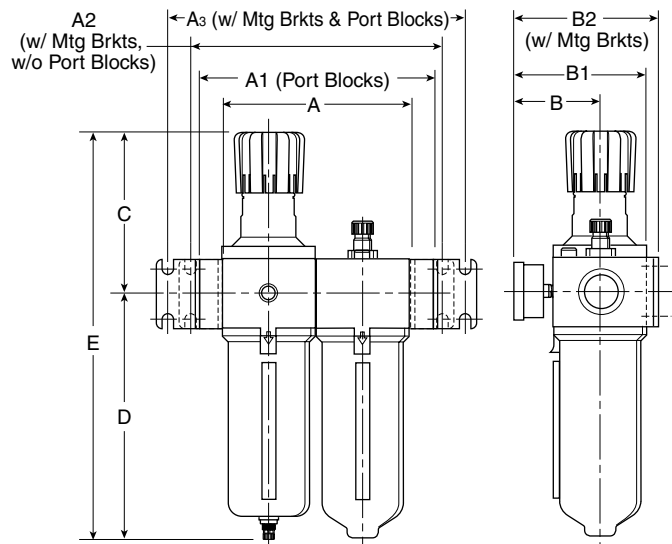
D39-08-FLG0

Features

- See Individual Component Pages for Details
- Port Blocks, Manifold Block, Ball Valve and Wall Bracket Must Be Ordered Separately


Materials of Construction

Body & Bowl	Aluminum
Element Retainer / Baffle and Deflector	Plastic
Filter Element	Sintered Polyethylene
Piston	Plastic
Seals	Nitrile
Sight Dome	Polycarbonate
Sight Gauge	Polyamide (Nylon)
Springs	Steel
Suggested Lubricant	Airline Oil F442001
Valve Assembly	Brass / Nitrile




Dimensions

Model	Inches (mm)	A	A ₁	A ₂	A ₃	B	B ₁	B ₂	C	D	E
Standard Unit D39-XX-XXXX		7.24 (184)	9.53 (242)	9.84 (250)	12.13 (308)	3.62 (92)	5.20 (132)	5.74 (146)	6.38 (162)	9.57 (243)	15.95 (405)

 = "Most Popular"

Note: For Kits and Repair Parts, see individual pages for Filters, Regulators, and Lubricators.

 WARNING
<p>Product rupture can cause serious injury. Do not connect regulator to bottled gas. Do not exceed maximum primary pressure rating.</p>

CAUTION:

REGULATOR PRESSURE ADJUSTMENT – The working range of knob adjustment is designed to permit outlet pressures within their full range. Pressure adjustment beyond this range is also possible because the knob is not a limiting device. This is a common characteristic of most industrial regulators, and limiting devices may be obtained only by special design.

For best performance, regulated pressure should always be set by increasing the pressure up to the desired setting.

B

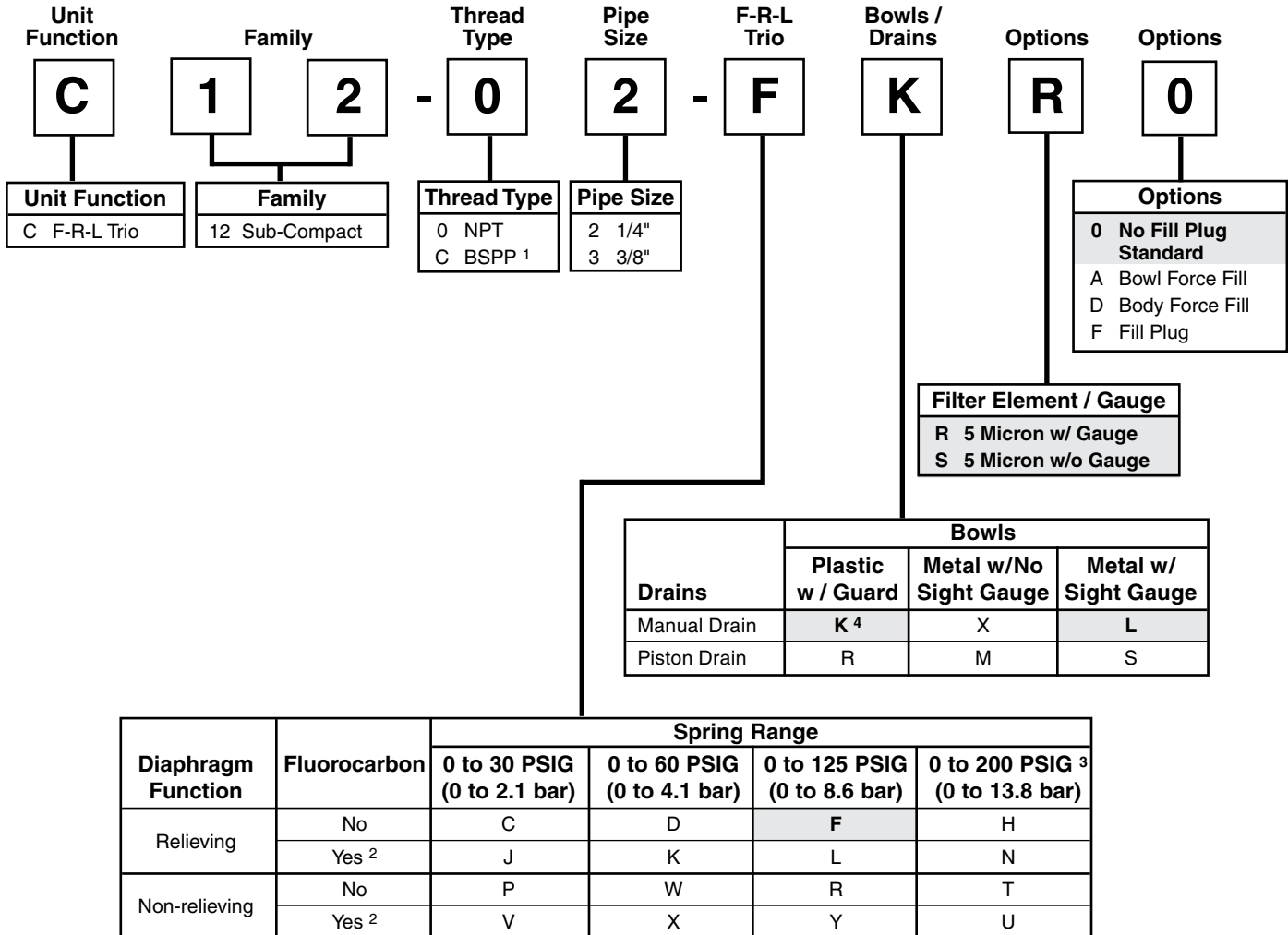
Ordering Information

Model Type	Port Size	Metal Bowl, with Gauge 7 to 125 PSIG (0.4 to 8.6 bar)
Manual Drain	1	D39-08-FLG0
Automatic Drain	1	D39-08-FHG0

Options - To order an option supplied with the unit model, add the appropriate coded suffix letter in the designated position of the model number.

Combination Numbering System

 = "Most Popular"



¹ ISO, R228 (G Series)

² Fluorocarbon seals available only on units with metal bowl with manual drain.

³ 0 to 200 PSI (0 to 13,8 bar) pressure range available only on units with metal bowl.

⁴ Filter bowl selection only. Lubricator bowl material same as filter bowl (plastic or metal). Plastic lubricator bowl comes with closed-end bowl as standard. Metal lubricator bowl comes with manual drain standard.

"F" Series Filters, Type "A" 5 micron elements: All Wilkerson Type "A" 5 micron elements **meet or exceed** ISO Class 3 for maximum particle size and concentration of solid contaminants.

NOTE: All classes above refer to International Standards Organization (ISO) standard 8573-1, pertaining to maximum particle size and concentration of solid contaminants, and maximum oil content.

NOTE: When selecting from the options columns, please enter letters in alphabetical order for positions 7, 8, 9.
For example:

C 1 2 - 0 2 - F K R 0

Combination Numbering System

= "Most Popular"

Unit Function

C

Unit Function

C F-R-L Trio

Family

1

8

Family

08 Miniature
18 Compact
28 Standard
39 Jumbo

Thread Type

0

Thread Type

0 NPT
C BSPP ³

Pipe Size

3

F-R-L Trio

F

Bowls / Drains

K

Options

G

Options

0

Code	Pipe Size	Series			
		08	18	28	39
1	1/8"	X			
2	1/4"	X	X		
3	3/8"		X	X	
4	1/2"		X	X	
6	3/4"			X	X
8	1"				X

Diaphragm Function	Fluorocarbon	Spring Range			
		0 to 30 PSIG ¹ (0 to 2.1 bar)	0 to 60 PSIG ¹ (0 to 4.1 bar)	0 to 125 PSIG (0 to 8.6 bar)	0 to 250 PSIG ^{1, 5} (0 to 17.2 bar)
Relieving	No	C	D	F	G
	Yes	J	K	L ¹	M
Non-relieving ¹	No	P	W	R	S
	Yes	V	X	Y	Z

Wilkerson Combination Models Are Offered With The T-bracket(s) As Standard.

Drains	Bowls	
	Plastic w / Guard ¹ Nitrile Standard	Metal w/ Sight Gauge ⁴ Nitrile Standard
None ¹	C	D
Automatic Drain ⁵	G	H
Manual Drain	K	L
Piston Drain (08 Series Only)	R	S

Options	
0 None	
C	Tamper Resistant Regulator Kit ^{1, 2}
D	Force Fill Adapter ¹
G Pressure Gauge	
L	Differential Pressure Indicator ^{1, 5}
R	Electronic Differential Pressure Indicator (18 & 28 Series Only)
T	Tamper Resistant Lube Cap ¹
V	Fluorocarbon ¹

Options	
0 None	
B	Add End Blocks ¹
C	Tamper Resistant Regulator Kit ^{1, 2}
D	Force Fill Adapter ¹
G Pressure Gauge	
L	Differential Pressure Indicator ^{1, 5}
P	Metal Panel Nut ¹
T	Tamper Resistant Lube Cap ¹
V	Fluorocarbon ¹

B

¹ Not Available on 39 Series.

² Tamper resistant kit not installed. Kit shipped loose in carton.

³ ISO, R228 (G Series).

⁴ 08 series has all metal bowl (no sight gauge).

⁵ Not Available on 08 Series.

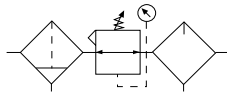
NOTE: When selecting from the options columns, please enter letters in alphabetical order for positions 7, 8, 9. For example:

C 1 8 - 0 3 - F K G 0

"F" Series Filters, Type "A" 5 micron elements: All Wilkerson Type "A" 5 micron elements **meet or exceed ISO** Class 3 for maximum particle size and concentration of solid contaminants.

NOTE: All classes above refer to International Standards Organization (ISO) standard 8573-1, pertaining to maximum particle size and concentration of solid contaminants, and maximum oil content.

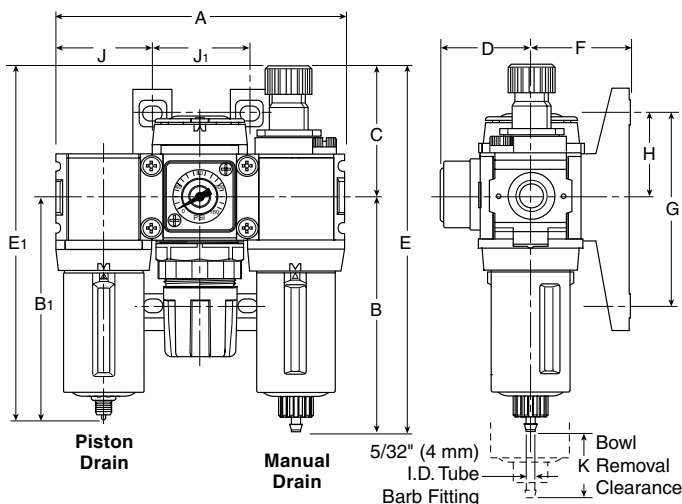
Combination C08



C08-02-FKG0

Features

- Components Integrated into Single Unit
- Modern Design and Appearance
- Light Weight, Ready-to-Mount Assembly Comes Standard with Flush-Mount Pressure Gauge and Modular T-bracket / Joiner Assembly
- High Flow Capacity
- Quick-Disconnect Bowl / Bowl Guard



Dimensions

Models	Inches (mm)	A	B	B ₁	C	D	E	E	F	G	H	J	J ₁
Standard Unit C08-XX-FKG0		4.72 (120)	3.75 (95)	—	2.25 (57)	1.47 (37)	6.00 (152)	—	1.61 (41)	3.15 (80)	1.37 (35)	1.57 (40)	1.57 (40)
Piston Drain C08-XX-FRG0		4.72 (120)	—	3.53 (90)	2.25 (57)	1.47 (37)	—	5.78 (147)	1.61 (41)	3.15 (80)	1.37 (35)	1.57 (40)	1.57 (40)

= "Most Popular"

Specifications

Flow Capacity*	1/8	29 SCFM (13.7 dm ³ /s)
	1/4	44 SCFM (20.8 dm ³ /s)
Gauge Port (2 ea.)**	NPT	1/8
Maximum Supply Pressure	Plastic Bowl	150 PSIG (10.3 bar)
	Metal Bowl	250 PSIG (17.2 bar)
Operating Temperature	Plastic Bowl	32° to 125°F (0° to 52°C)
	Metal Bowl	32° to 150°F (0° to 65.5°C)
Port Size	NPT / BSPP-G	1/8, 1/4
Standard Filtration	Micron	5
Useful Retention	oz. (cm ³)	Filter 0.4 (12) Lubricator 0.6 (18)
Weight	lb. (kg)	1.96 (0.9)

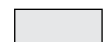
* Inlet pressure 100 PSIG (6.9 bar). Secondary pressure 90 PSIG (6.2 bar).

** Non-gauge option only.


"F" Series Filters, Type "A" 5 micron elements: All Wilkerson Type "A" 5 micron elements **meet or exceed ISO Class 3** for maximum particle size and concentration of solid contaminants.

Materials of Construction

Body	Zinc	
Bonnet	PBT	
Bowl	Plastic Bowl	Polycarbonate
	Metal Bowl	Zinc
Bowl Guard	Nylon	
Diaphragm Assembly	Brass / Nitrile	
Filter Element	Polyethylene	
Knob	Acetal	
Seals	Plastic Bowl	Nitrile
	Metal Bowl	Nitrile
Sight Dome	Polycarbonate	
Springs	Steel	
Suggested Lubricant	Airline Oil F442001	
Valve	Brass / Nitrile	

 = "Most Popular"

Note: For Kits and Repair Parts, see individual pages for Filters, Regulators, and Lubricators.

 WARNING
<p>Product rupture can cause serious injury. Do not connect regulator to bottled gas. Do not exceed maximum primary pressure rating.</p>

CAUTION:

REGULATOR PRESSURE ADJUSTMENT – The working range of knob adjustment is designed to permit outlet pressures within their full range. Pressure adjustment beyond this range is also possible because the knob is not a limiting device. This is a common characteristic of most industrial regulators, and limiting devices may be obtained only by special design.

For best performance, regulated pressure should always be set by increasing the pressure up to the desired setting.

B

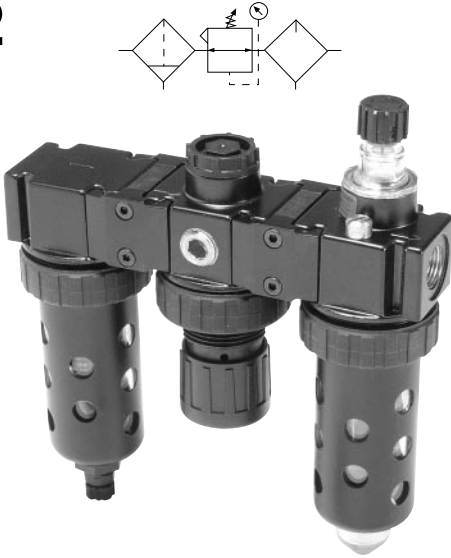
Ordering Information

Model Type	Port Size	Plastic Bowl / Bowl Guard / Without Gauge 0 to 125 PSI (0 to 8.6 bar)	Plastic Bowl / Bowl Guard / With Gauge 0 to 125 PSI (0 to 8.6 bar)	Metal Bowl / Without Gauge 0 to 125 PSI (0 to 8.6 bar)	Metal Bowl / With Gauge 0 to 125 PSI (0 to 8.6 bar)
Manual Drain	1/8	C08-01-FK00	C08-01-FKG0	C08-01-FL00	C08-01-FLG0
	1/4	C08-02-FK00	C08-02-FKG0	C08-02-FL00	C08-02-FLG0
Piston Drain	1/8	C08-01-FR00	C08-01-FRG0	C08-01-FS00	C08-01-FSG0
	1/4	C08-02-FR00	C08-02-FRG0	C08-02-FS00	C08-02-FSG0

Options - To order an option supplied with the unit model, add the appropriate coded suffix letter in the designated position of the model number.

Combination C12

= "Most Popular"



C12-02-FKS0

Features

- Regulator Can Be Mounted With Knob in Up or Down Position
- See Individual Component Pages for Details
- Port Blocks, Manifold Blocks and Ball Valve Must Be Ordered Separately

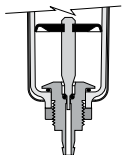
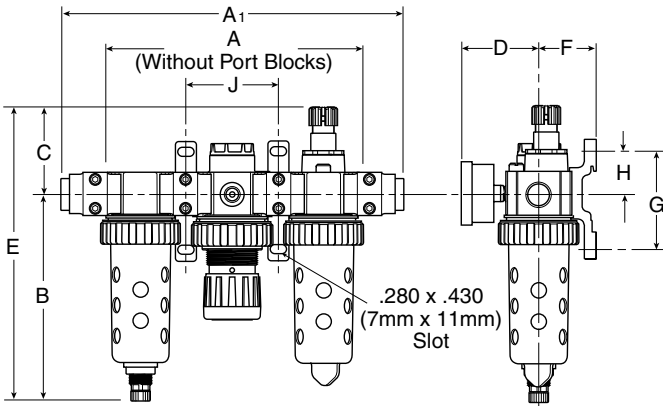
Specifications

Flow Capacity*	1/4	40 SCFM (18.9 dm ³ /s)
	3/8	40 SCFM (18.9 dm ³ /s)
Gauge Ports (2x)	NPT / BSPP-G	1/4
Maximum Supply Pressure	Plastic Bowl	150 PSIG (10.3 bar)
	Metal Bowl	250 PSIG (17.2 bar)
Operating Temperature	Plastic Bowl	32° to 125°F (0° to 52°C)
	Metal Bowl	32° to 175°F (0° to 80°C)
Port Size	NPT / BSPP-G	1/4, 3/8
Useful Retention	oz. (cc)	0.9 (26.6)
Weight	lb. (kg)	3.72 (1.69)

* Inlet pressure 100 PSIG (7 bar). Secondary pressure 90 PSIG (6.2 bar).

Materials of Construction

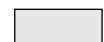
Body	Zinc	
Bowl Guard	Steel	
Bowls	Plastic Bowl	Polycarbonate
	Metal Bowl	Zinc
Collar	Plastic	
Drain-Manual	Body & Nut	Plastic
Seals	Nitrile	
Sight Dome	Polycarbonate	
Sight Gauge	Metal Bowl	Polyamide (Nylon)
Suggested Lubricant	Airline Oil F442001	




NOTE: Barb (Piston Drain) accepts 3/16" ID tubing.

Dimensions

Model	Inches (mm)	A	A ₁	B	C	D	E	F	G	H	J
Standard Unit C12-XX-FKS0		5.70 (170)	8.72 (222)	5.35 (136)	2.24 (57)	2.05 (52)	7.59 (193)	1.45 (37)	2.60 (66)	1.14 (29)	2.35 (60)
Piston Drain C12-XX-FRS0		5.70 (170)	8.72 (222)	5.35 (136)	2.24 (57)	2.05 (52)	7.59 (193)	1.45 (37)	2.60 (66)	1.14 (29)	2.35 (60)

 = "Most Popular"

Note: For Kits and Repair Parts, see individual pages for Filters, Regulators, and Lubricators.

 WARNING
<p>Product rupture can cause serious injury. Do not connect regulator to bottled gas. Do not exceed maximum primary pressure rating.</p>

CAUTION:

REGULATOR PRESSURE ADJUSTMENT – The working range of knob adjustment is designed to permit outlet pressures within their full range. Pressure adjustment beyond this range is also possible because the knob is not a limiting device. This is a common characteristic of most industrial regulators, and limiting devices may be obtained only by special design.

For best performance, regulated pressure should always be set by increasing the pressure up to the desired setting.

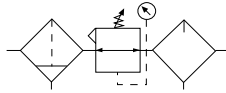
B

Ordering Information

Model Type	Port Size	Plastic Bowl / Bowl Guard / Without Gauge 0 to 125 PSI (0 to 8.6 bar)	Plastic Bowl / Bowl Guard / With Gauge 0 to 125 PSI (0 to 8.6 bar)	Metal Bowl / Sight Gauge / Without Gauge 0 to 125 PSI (0 to 8.6 bar)	Metal Bowl / w/o Sight Gauge / With Gauge 0 to 125 PSI (0 to 8.6 bar)
Manual Drain	1/4	C12-02-FKS0	C12-02-FKR0	C12-02-FLS0	C12-02-FLR0
	3/8	C12-03-FKS0	C12-03-FKR0	C12-03-FLS0	C12-03-FLR0
Piston Drain	1/4	C12-02-FRS0	C12-02-FRR0	C12-02-FSS0	C12-02-FSR0
	3/8	C12-03-FRS0	C12-03-FRR0	C12-03-FSS0	C12-03-FSR0

Options - To order an option supplied with the unit model, add the appropriate coded suffix letter in the designated position of the model number.

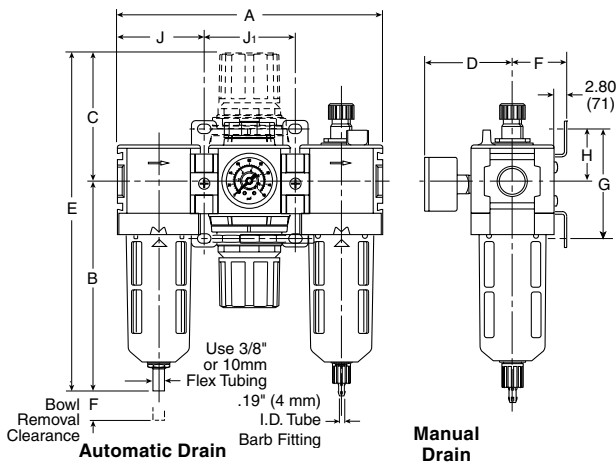
Combination C18



C18-03-FKG0

Features

- Components Integrated into Single Unit
- Modern Design and Appearance
- Light Weight, Ready-to-Mount Assembly Comes Standard with Pressure Gauge and Modular T-Bracket / Joiner Assembly
- High Flow Capacity
- Quick-Disconnect Bowl / Bowl Guard
- Joiner Assembly / Connector Patent No. 5,383,689



Dimensions

Models	Inches (mm)	A	B	C	D	E	F	G	H	J	J ₁
Standard Unit with Gauge C18-XX-FKG0		7.77 (197)	4.69 (119)	3.66 (93)	2.57 (65)	8.35 (212)	1.62 (41)	3.25 (83)	1.62 (41)	2.53 (64)	2.70 (69)
Standard Unit with Automatic Drain and Gauge C18-XX-FGG0		7.77 (197)	4.46 (113)	3.66 (93)	2.57 (65)	8.12 (206)	1.62 (41)	3.25 (83)	1.62 (41)	2.53 (64)	2.70 (69)
With End Blocks		10.45 (265)	—	—	—	—	—	—	—	3.87 (98)	—

= "Most Popular"

Specifications

Flow Capacity*	1/4	110 SCFM (48.1 dm ³ /s)
	3/8	160 SCFM (48.1 dm ³ /s)
	1/2	160 SCFM (48.1 dm ³ /s)
Gauge Port (2 ea.)	NPT / BSPP-G	1/4
Maximum Supply Pressure	Plastic Bowl	150 PSIG (10.3 bar)
	Metal Bowl	250 PSIG (17.2 bar)
Operating Temperature	Plastic Bowl	32° to 125°F (0° to 52°C)
	Metal Bowl	32° to 150°F (0° to 65.5°C)
Port Size	NPT / BSPP-G	1/4, 3/8, 1/2
Standard Filtration	Micron	5
Useful Retention	oz. (cm ³)	Filter 1.72 (50.9)
		Lubricator 4.09 (121)
Weight	lb. (kg)	4.04 (1.83)

* Inlet pressure 150 PSIG (10.3 bar). Secondary pressure 90 PSIG (6.2 bar).

"F" Series Filters, Type "A" 5 micron elements: All Wilkerson Type "A" 5 micron elements **meet or exceed ISO Class 3** for maximum particle size and concentration of solid contaminants.

Materials of Construction

Body	Zinc	
Bonnet / Knob	Nylon / Acetal	
Bowls	Plastic Bowl	Polycarbonate
	Metal Bowl	Aluminum
Diaphragm Assembly	Nitrile / Zinc	
Filter Element	Polyethylene	
Seals	Plastic Bowl	Nitrile
	Metal Bowl	Nitrile
Sight Dome	Polycarbonate	
Sight Gauge	Metal Bowl	Polyamide (Nylon)
Springs	Main Regulating Valve	Steel
		Stainless Steel
Suggested Lubricant	Airline Oil F442001	
Valve	Brass / Nitrile	

Note: For Kits and Repair Parts, see individual pages for Filters, Regulators, and Lubricators.

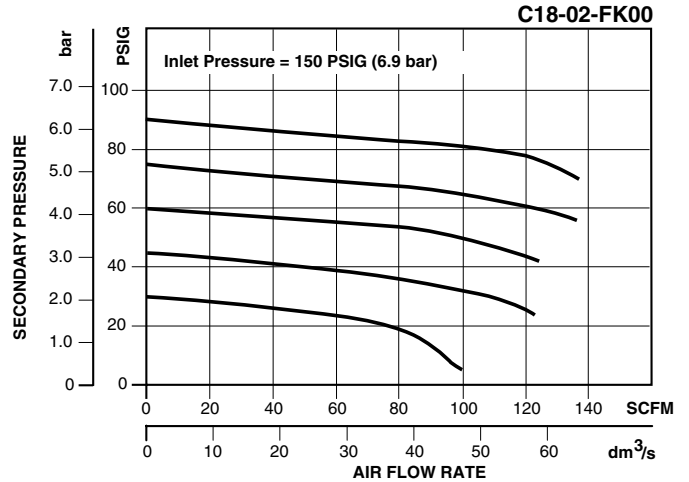
⚠ WARNING
Product rupture can cause serious injury. Do not connect regulator to bottled gas. Do not exceed maximum primary pressure rating.

CAUTION:

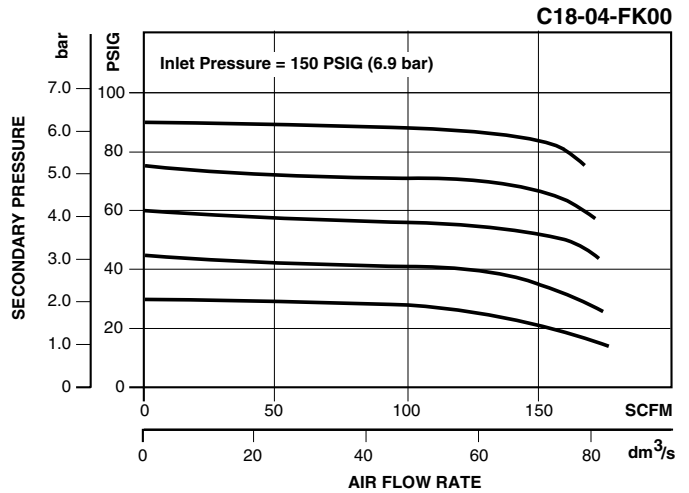
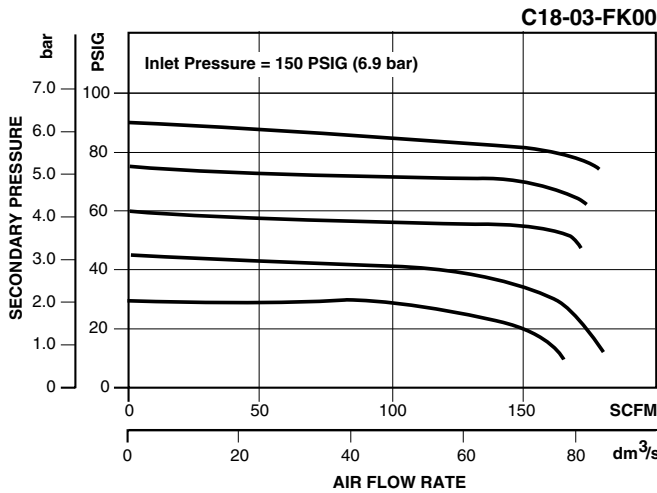
REGULATOR PRESSURE ADJUSTMENT – The working range of knob adjustment is designed to permit outlet pressures within their full range. Pressure adjustment beyond this range is also possible because the knob is not a limiting device. This is a common characteristic of most industrial regulators, and limiting devices may be obtained only by special design.

For best performance, regulated pressure should always be set by increasing the pressure up to the desired setting.

= "Most Popular"



B



Ordering Information

Model Type	Port Size	Plastic Bowl / Bowl Guard / With Gauge 0 to 125 PSI (0 to 8.6 bar)	Plastic Bowl / Bowl Guard / Without Gauge 0 to 125 PSI (0 to 8.6 bar)	Metal Bowl / Sight Gauge / With Gauge 0 to 125 PSI (0 to 8.6 bar)	Metal Bowl / Sight Gauge / Without Gauge 0 to 125 PSI (0 to 8.6 bar)	Plastic Bowl / Bowl Guard / With Gauge With End Blocks 0 to 125 PSI (0 to 8.6 bar)
Manual Drain	1/4	C18-02-FKG0	C18-02-FK00	C18-02-FLG0	C18-02-FL00	C18-02-FKBG
	3/8	C18-03-FKG0	C18-03-FK00	C18-03-FLG0	C18-03-FL00	C18-03-FKBG
	1/2	C18-04-FKG0	C18-04-FK00	C18-04-FLG0	C18-04-FL00	C18-04-FKBG
Automatic Drain	1/4	C18-02-FGG0	C18-02-FG00	C18-02-FHG0	C18-02-FH00	C18-02-FGBG
	3/8	C18-03-FGG0	C18-03-FG00	C18-03-FHG0	C18-03-FH00	C18-03-FGBG
	1/2	C18-04-FGG0	C18-04-FG00	C18-04-FHG0	C18-04-FH00	C18-04-FGBG

Options - To order an option supplied with the unit model, add the appropriate coded suffix letter in the designated position of the model number.

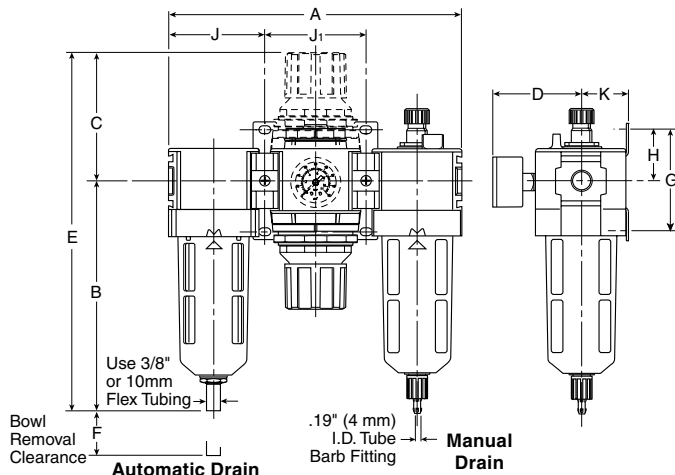
Combination C28



C28-04-FKG0

Features

- Components Integrated into Single Unit
- Modern Design and Appearance
- Light Weight, Ready-to-Mount Assembly Comes Standard with Pressure Gauge and Modular T-Bracket / Joiner Assembly
- High Flow Capacity
- Quick-Disconnect Bowl / Bowl Guard
- Joiner Assembly / Connector Patent No. 5,383,689



Dimensions

Models	Inches (mm)	A	B	C	D	E	F	G	H	J	J ₁	K
Standard Unit with Gauge C28-XX-FKG0		9.32 (237)	7.40 (188)	4.16 (105)	2.83 (72)	11.56 (294)	2.00 (51)	3.25 (83)	1.63 (41)	3.05 (77)	3.22 (81)	1.53 (39)
Standard Unit with Automatic Drain and Gauge C28-XX-FGG0		9.32 (237)	7.00 (178)	4.16 (105)	2.83 (72)	11.16 (283)	2.00 (51)	3.25 (83)	1.63 (41)	3.05 (77)	3.22 (81)	1.53 (39)
With End Blocks		12.00 (305)	—	—	—	—	—	—	—	4.39 (112)	—	—

= "Most Popular"

Specifications

Flow Capacity*	3/8	150 SCFM (56.6 dm ³ /s)
	1/2	175 SCFM (63.2 dm ³ /s)
	3/4	175 SCFM (67.5 dm ³ /s)
Gauge Port (2 ea.)	NPT / BSPP-G	1/4
Maximum Supply Pressure	Plastic Bowl	150 PSIG (10.3 bar)
	Metal Bowl	250 PSIG (17.2 bar)
Operating Temperature	Plastic Bowl	32° to 125°F (0° to 52°C)
	Metal Bowl	32° to 150°F (0° to 65.5°C)
Port Size	NPT / BSPP-G	3/8, 1/2, 3/4
Standard Filtration	Micron	5
Useful Retention **	oz. (cm ³)	Filter 2.87 (85) Lubricator 6.11 (181)
Weight	lb. (kg)	5.90 (2.6)

* Inlet pressure 150 PSIG (10.3 bar). Secondary pressure 90 PSIG (6.2 bar).

** Useful retention refers to volume below the quiet zone baffle.

"F" Series Filters, Type "A" 5 micron elements: All Wilkerson Type "A" 5 micron elements **meet or exceed ISO Class 3** for maximum particle size and concentration of solid contaminants.

Materials of Construction

Body	Zinc	
Bonnet / Knob	Nylon / Acetal	
Bowls	Plastic Bowl	Polycarbonate
	Metal Bowl	Aluminum
Diaphragm Assembly	Nitrile / Zinc	
Filter Element	Polyethylene	
Seals	Plastic Bowl	Nitrile
	Metal Bowl	Nitrile
Sight Dome	Polycarbonate	
Sight Gauge	Metal Bowl	Polyamide (Nylon)
Springs	Main Regulating Valve	Steel
		Stainless Steel
Suggested Lubricant	Airline Oil F442001	
Valve	Brass / Nitrile / Acetal	

Note: For Kits and Repair Parts, see individual pages for Filters, Regulators, and Lubricators.

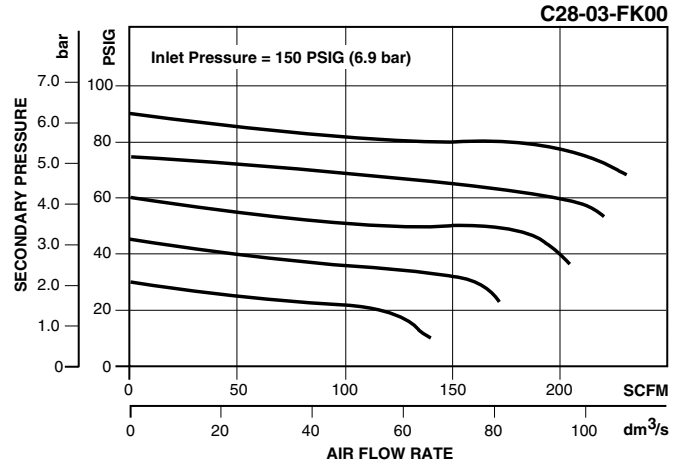
⚠ WARNING
Product rupture can cause serious injury. Do not connect regulator to bottled gas. Do not exceed maximum primary pressure rating.

CAUTION:

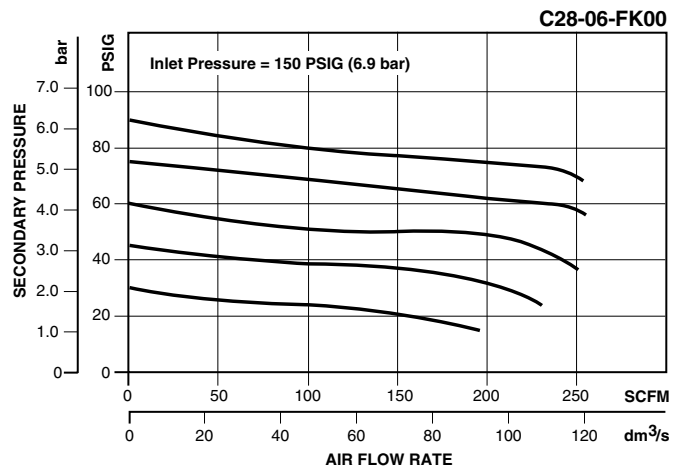
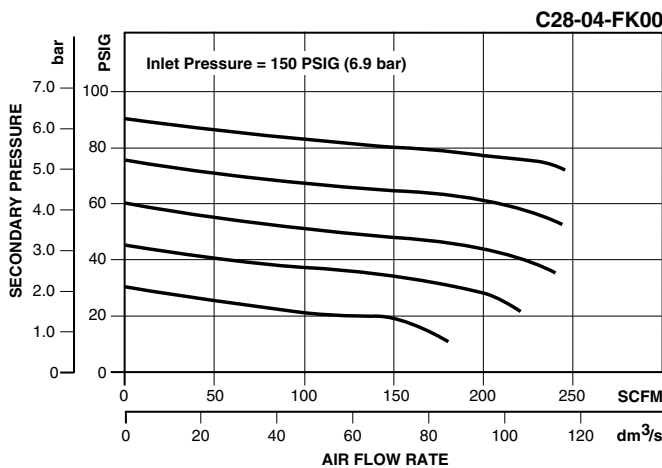
REGULATOR PRESSURE ADJUSTMENT – The working range of knob adjustment is designed to permit outlet pressures within their full range. Pressure adjustment beyond this range is also possible because the knob is not a limiting device. This is a common characteristic of most industrial regulators, and limiting devices may be obtained only by special design.

For best performance, regulated pressure should always be set by increasing the pressure up to the desired setting.

= "Most Popular"



B

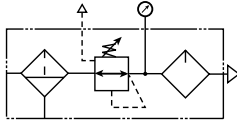


Ordering Information

Model Type	Port Size	Plastic Bowl / Bowl Guard / With Gauge 0 to 125 PSI (0 to 8.6 bar)	Plastic Bowl / Bowl Guard / Without Gauge 0 to 125 PSI (0 to 8.6 bar)	Metal Bowl / Sight Gauge / With Gauge 0 to 125 PSI (0 to 8.6 bar)	Metal Bowl / Sight Gauge / Without Gauge 0 to 125 PSI (0 to 8.6 bar)	Plastic Bowl / Bowl Guard / With Gauge With End Blocks 0 to 125 PSI (0 to 8.6 bar)
Manual Drain	3/8	C28-03-FKG0	C28-03-FK00	C28-03-FLG0	C28-03-FL00	C28-03-FKBG
	1/2	C28-04-FKG0	C28-04-FK00	C28-04-FLG0	C28-04-FL00	C28-04-FKBG
	3/4	C28-06-FKG0	C28-06-FK00	C28-06-FLG0	C28-06-FL00	C28-06-FKBG
Automatic Drain	3/8	C28-03-FGG0	C28-03-FG00	C28-03-FHG0	C28-03-FH00	C28-03-FGBG
	1/2	C28-04-FGG0	C28-04-FG00	C28-04-FHG0	C28-04-FH00	C28-04-FGBG
	3/4	C28-06-FGG0	C28-06-FG00	C28-06-FHG0	C28-06-FH00	C28-06-FGBG

Options - To order an option supplied with the unit model, add the appropriate coded suffix letter in the designated position of the model number.

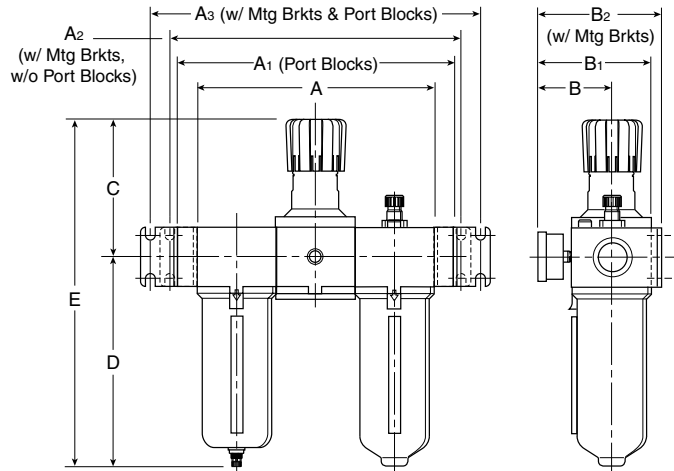
Combination C39



C39-08-FLG0

Features

- See Individual Component Pages for Details
- Port Blocks, Manifold Block, Ball Valve and Wall Bracket Must Be Ordered Separately



Dimensions

Model	Inches (mm)	A	A ₁	A ₂	A ₃	B	B ₁	B ₂	C	D	E
Standard Unit C39-XX-XXXX		10.87 (276)	13.15 (334)	13.46 (342)	15.75 (400)	3.62 (92)	5.20 (132)	5.74 (146)	6.38 (162)	9.57 (243)	12.38 (314)

= "Most Popular"

Specifications

Flow Capacity*	1	250 SCFM (118 dm ³ /s)
Adjusting Range Pressure		0 to 125 PSIG (0 to 8.6 bar)
Gauge Port		1/4
Maximum Supply Pressure		250 PSIG (17 bar)
Operating Temperature		32° to 175°F (0° to 80°C)
Port Size†	NPT	1
Standard Filtration***	Micron	5
Useful Retention**	oz. (cm ³)	6.8 (200)
Weight	lb. (kg)	5.3 (2.4)

* Inlet pressure 100 PSIG (6.9 bar). Secondary pressure 90 PSIG (6.2 bar).

** Useful retention refers to volume below the quiet zone baffle.

† Port blocks available for BSPP thread & 1-1/2" port.


"F" Series Filters, Type "A" 5 micron elements: All Wilkerson Type "A" 5 micron elements **meet or exceed ISO Class 3** for maximum particle size and concentration of solid contaminants.

Materials of Construction

Body & Bowl	Aluminum
Element Retainer, Deflector and Baffle	Plastic
Filter Element	Sintered Polyethylene
Piston	Plastic
Seals	Nitrile
Sight Dome	Polycarbonate
Sight Gauge	Polyamide (Nylon)
Springs	Steel
Suggested Lubricant	Airline Oil F442001
Valve Assembly	Brass / Nitrile

 = "Most Popular"

Note: For Kits and Repair Parts, see individual pages for Filters, Regulators, and Lubricators.

 WARNING
<p>Product rupture can cause serious injury. Do not connect regulator to bottled gas. Do not exceed maximum primary pressure rating.</p>

CAUTION:

REGULATOR PRESSURE ADJUSTMENT – The working range of knob adjustment is designed to permit outlet pressures within their full range. Pressure adjustment beyond this range is also possible because the knob is not a limiting device. This is a common characteristic of most industrial regulators, and limiting devices may be obtained only by special design.

For best performance, regulated pressure should always be set by increasing the pressure up to the desired setting.

B

Ordering Information

Model Type	Port Size	Metal Bowl, with Gauge 7 to 125 PSIG (0.4 to 8.6 bar)
Manual Drain	1	C39-08-FLG0
Automatic Drain	1	C39-08-FHG0

Options - To order an option supplied with the unit model, add the appropriate coded suffix letter in the designated position of the model number.

Notes

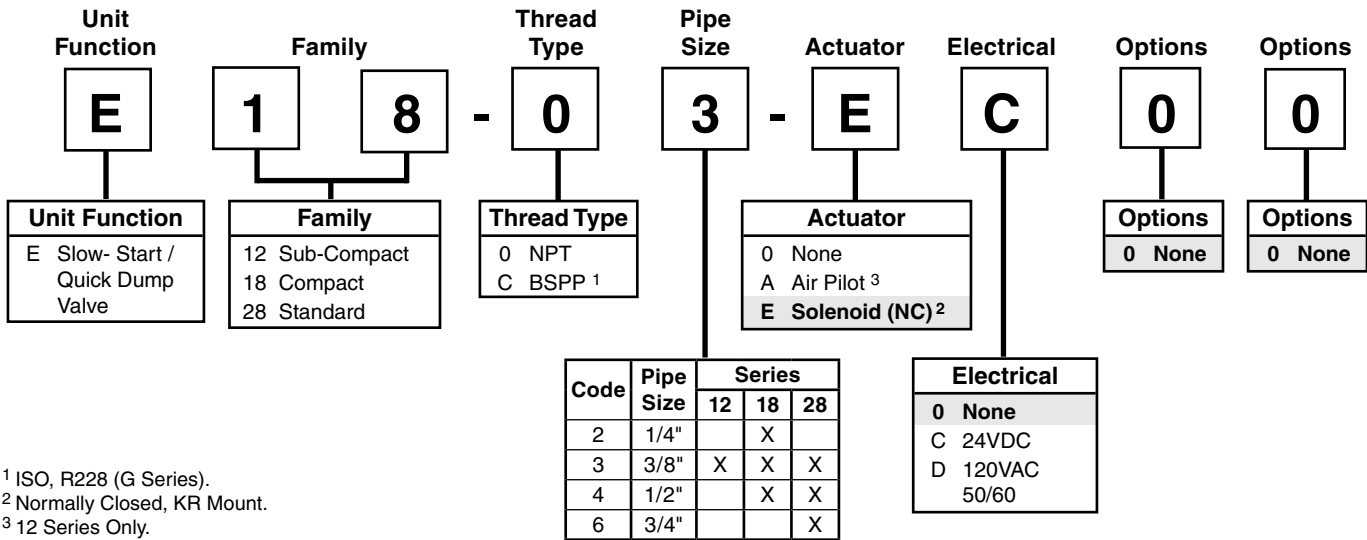


Additional Modular Products

Slow-Start / Quick Dump Valves	2	Electronic Proportional Valve	17	Pressure Switches	33
E12	4	EPV	18	X07	33
E18 / E28.....	6	MSD.....	20	P01909	34
S18 / S28.....	8	Safety Lockout Valves	23	P01908	35
Electronic Proportional Regulator	10	V08	24	Diverter Blocks	36
Electronic Regulator	11	V12	26	N08	38
ER08.....	12	V18 / V28.....	28	N12	39
ER1 / ER2	14	V19 / V29.....	30	N18 / N28	40
				NJ8	42

Slow-Start / Quick Dump Valve Numbering System

 = "Most Popular"

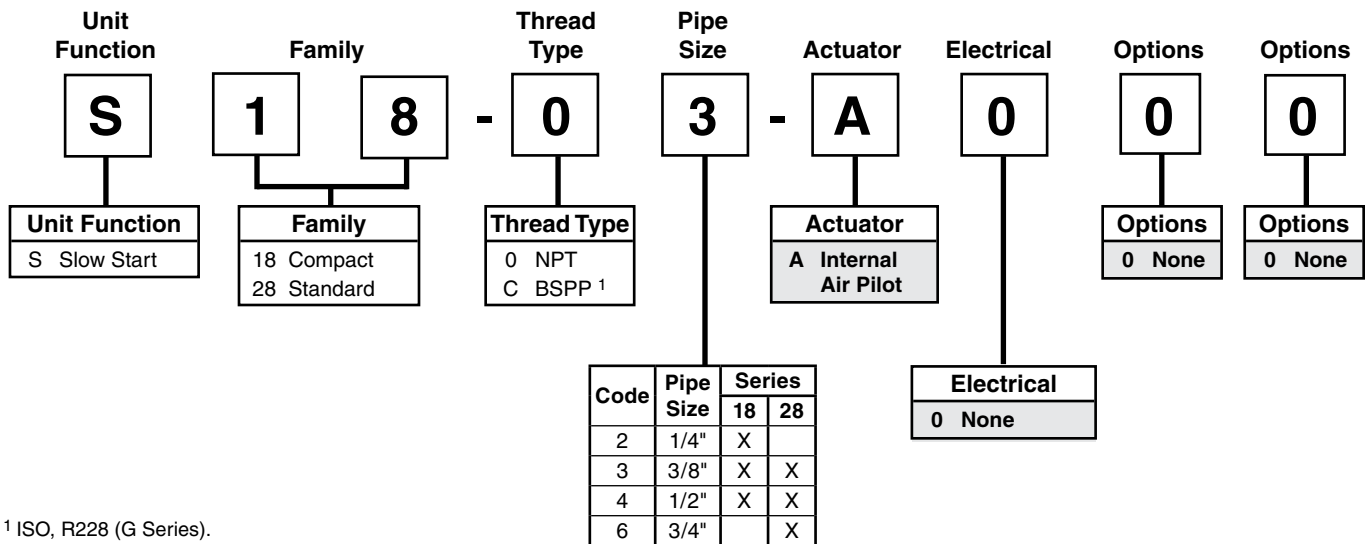


¹ ISO, R228 (G Series).
² Normally Closed, KR Mount.
³ 12 Series Only.

Slow-Start / Quick Dump Valve

The Slow-Start / Quick Dump Valve is designed as a three-way Quick Dump Valve with a built-in Slow-Start capability. This Slow-Start capability allows control of downstream pressure buildup at start-up of a compressed air system. The combination of Slow-Start and Quick Dump reduces the number of pneumatic components and the unique volume-independent design allows any number of additions to the pneumatic circuit without readjusting the Slow-Start function.

Slow-Start Valve Numbering System = "Most Popular"



Slow-Start Valve

The Slow Start Valve is used in compressed air systems to control the rate of downstream pressure buildup at start-up. The Slow Start Valve is also referred to as the "Monday Morning" valve or smooth start valve.

The Slow Start Valve allows cylinders, valves and other pneumatically operated components to gradually move into their normal start-up position. The design and operation of the slow start valve can reduce the possibility of equipment or part damage and occupational hazard to the worker.

The normally closed slow start valves are air-piloted.

Testing was conducted by applying a P1 pressure and measuring an increasing P2 pressure until P2 reached P1.

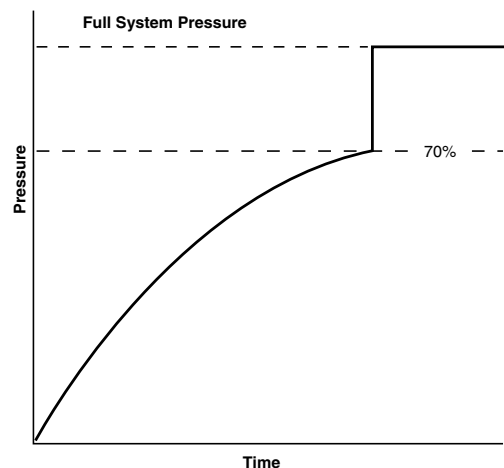
Response time conducted with 46.36 in3 (759.8 cm3) volume.

The S18 and S28 Slow Start Valves are volume dependent devices. The amount of time it takes for the valve to open fully is dependent on the system volume downstream of the slow start valve. The adjusting screw meters the air flow that is pressurizing the system volume. When the system volume is pressurized to approximately 70% of the line pressure, the main valve inside the slow start valve is snapped open. When this occurs, the system volume (i.e. the cylinders, air motors, air tools, etc.) sees full line pressure.

The S18 / S28 is offered as standard in the internal air-piloted version. It can be field converted to solenoid-operated by removing the top cap to access the KR solenoid valve mounting pattern, which pre-drilled and tapped on all bodies. A CNOMO Mount Solenoid valve can also be used by ordering kit number VRP-95-713, KR to CNOMO adapter block.

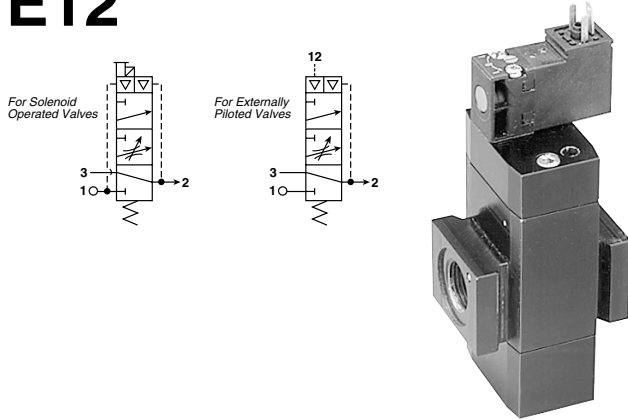
Note: Minimum Operating Pressure = 30 PSIG (2,1 bar)

Maximum Flow Across Needle Valve = 12 SCFM (5,6 dm³/s)



Slow-Start / Quick Dump Valve E12

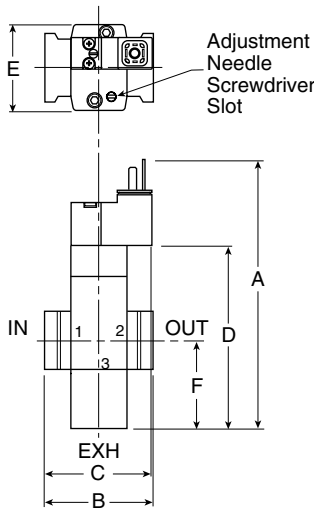
= "Most Popular"



E12-03-EC00

Features

- Combines Slow-Start and Quick Dump Valve in the Same Body
- Large Flow Capacities up to 1.6 Cv
- Inline or Modular Mounting
- Air Pilot or Solenoid Operation
- Slow-Start Flow Easily Adjusted



Dimensions

Models	Inches (mm)	A	B	C	D	E	F
Standard Unit E12-03-EC00		5.26 (133.6)	2.13 (54)	2.10 (53)	3.53 (90)	1.65 (42)	1.70 (43)

Specifications

Flow Capacity*	3/8	45 SCFM (21.2 dm ³ /s)
Exhaust Port		3/8
Port Threads – Inlet and Outlet Ports		3/8
(BSPP and BSPT port threads are available through the use of modular port block kits.)		
Pressure & Temperature Ratings –		
Solenoid	60 to 150 PSIG (400 to 1035 kPa)	32° to 140°F (0° to 60°C)
Air Pilot	60 to 150 PSIG (400 to 1035 kPa)	32° to 160°F (0° to 70°C)
Weight		12.7 oz. (.36 kg)

* Inlet pressure 100 PSIG (6.9 bar). Pressure drop 5 PSID (0.3 bar).

Materials of Construction

Body	Aluminum
Seals	Nitrile
Slide Rings	Lubricant Filled Thermoplastic
Springs	Stainless Steel

Operation

When the valve is installed into the pneumatic system and no pilot signal is received in Port 12 the air is exhausted through Port 3. When a pilot signal is received into Port 12 the valve shifts closing the connection between Ports 2 and 3. At the same time air flow begins between Ports 1 and 2 at a slow rate controlled by the throttling control needle, located on the front of the valve. When the down stream pressure reaches approximately 60 Psig (400 kPa) the main valve spool opens allowing full flow through the valve into your system.

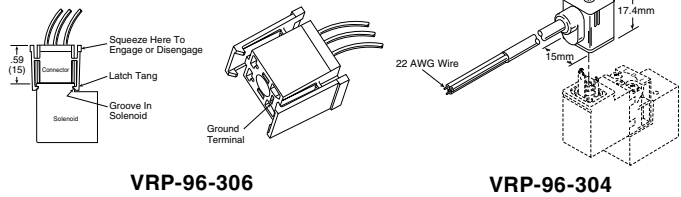
If there is a loss of pilot signal or system pressure at anytime the valve returns to it's initial state venting the down stream pressure through Port 3.

The valves pilot signal can either be supplied as a pneumatic pilot directly piped into Port 12, on the top of the valve, or through a solenoid pilot mounted on the head. The valve should be mounted downstream of the FRL and with the soft start adjustment needle easily accessible.

CAUTION: Do not use synthetic, reconstituted, or oils with an alcohol content or detergent additive.

CAUTION: Do not restrict the inlet of valves having an internal pilot supply. Pressure supply piping must be the same size as the inlet port or larger to insure that the pilot valve receives sufficient pressure supply during high flow conditions.

= "Most Popular"



VRP-96-306

VRP-96-304

Kits & Accessories

- 3-Pin Female Connector Kit** VRP-96-301
- 24VAC Lighted 3-Pin Connector Kit** VRP-96-302
- 120/110VAC Lighted 3-Pin Connector Kit** VRP-96-303
- 3-Pin Connector Kit, 24VAC or 24VDC
w/6 Foot Cord* VRP-96-304
- 3-Connector Kit, 120/110VAC w/6 Foot Cord* VRP-96-305
- 1/2 Meter Cord (18 Inch)* VRP-96-306
- 3/8" Exhaust Silencer ES37MB

* Conductors: 2 Poles Plus Ground Contact Spacing: 8mm

† Cable Range: 6 to 8mm (0.24 to 0.31 Inch)

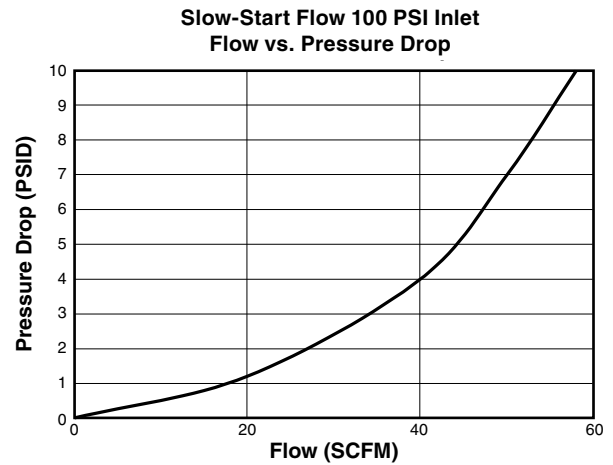


Table 1: Shows the relationship between the inlet pressure and downstream pressure at which the main valve opens.

Inlet Pressure PSIG	Downstream Pressure PSIG
75	50
100	55
125	60
150	65

Table 2: Product forward Flow Cv and Exhaust Flow Cv.

	Flow Cv	Exhaust Flow Cv
E12	1.3	1.6

Ordering Information

Model Type	Port Size	24V / DC N.C.	120V / 60 Hz N.C.
E12	3/8	E12-03-EC00	E12-03-ED00

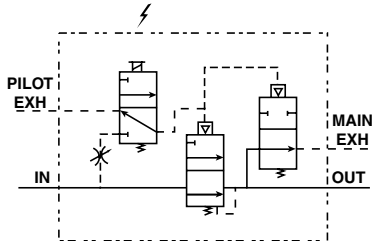
Options - To order an option supplied with the unit model, add the appropriate coded suffix letter in the designated position of the model number.



Slow-Start / Quick Dump Valve

E18 / E28

 = "Most Popular"



E18-03-EC00

Features

- Modular Design
- True Volume Independence
- High Flow Capacity
- Choice of Two Exhaust Port Locations

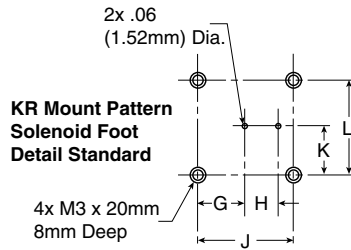
Specifications

Flow Capacity*	E18	1/4	95 SCFM (44.8 dm ³ /s)
		3/8	101 SCFM (47.7 dm ³ /s)
		1/2	113 SCFM (53.3 dm ³ /s)
	E28	3/8	196 SCFM (92.5 dm ³ /s)
		1/2	210 SCFM (99.1 dm ³ /s)
		3/4	230 SCFM (108.5 dm ³ /s)
Exhaust Ports	NPT / BSPP-G		E18 3/8
Right Side and Rear			E28 3/8
Maximum Supply Pressure	150 PSIG (10.3 bar)		
Minimum Pressure	30 PSIG (2.1 bar)		
Operating Temperature	32° to 150°F (0° to 65.5°C)		
Port Size	NPT / BSPP-G	E18	1/4, 3/8, 1/2
		E28	3/8, 1/2, 3/4
Weight	lb. (kg)	E18	2.23 (1.01)
		E28	2.50 (1.14)

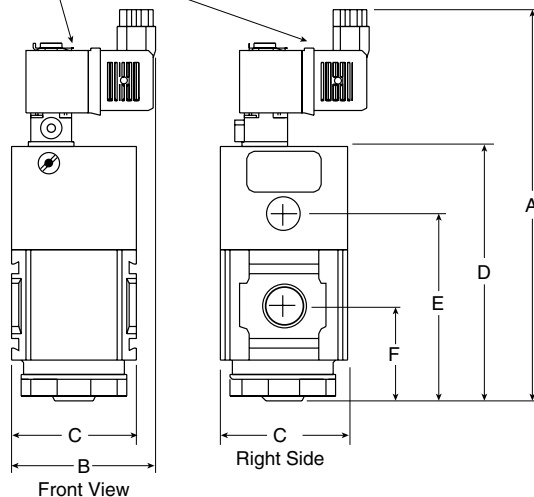
* Inlet pressure 150 PSIG (10.3 bar). Pressure drop 5 PSID (0.3 bar).

Materials of Construction

Body	Aluminum
Bottom Plug	33% Glass-Filled Nylon
Seals	Nitrile
Springs	Music Wire / Stainless Steel
Valve Assembly	Brass / Nitrile



Solenoid can be rotated for mounting convenience




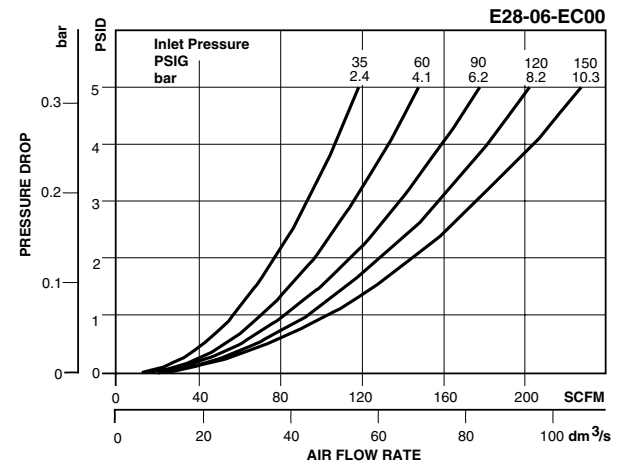
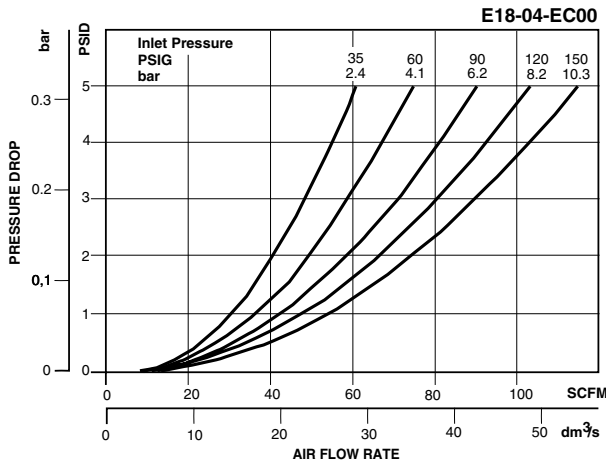
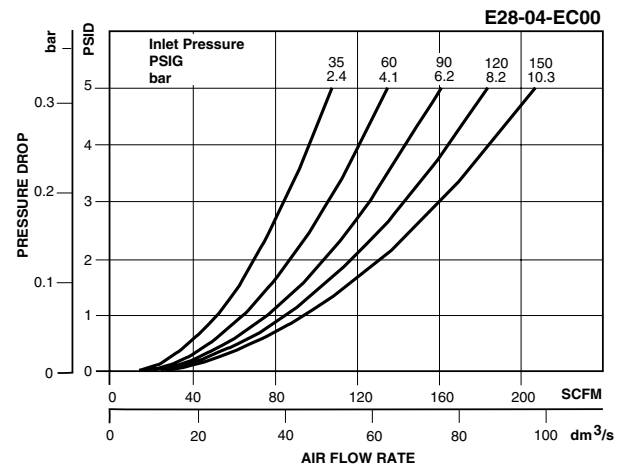
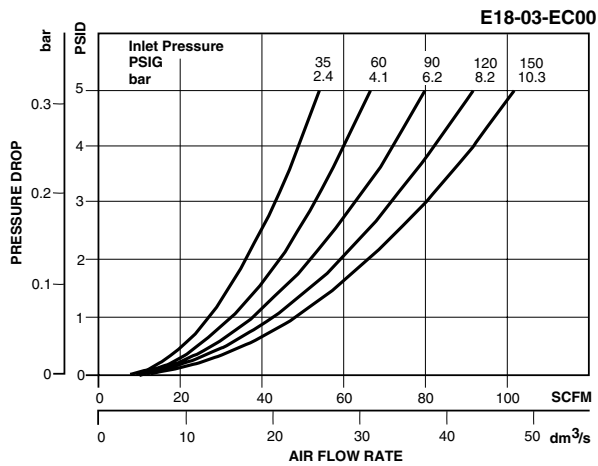
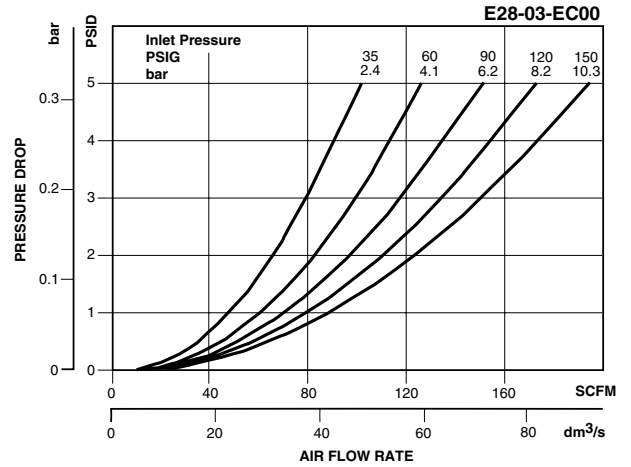
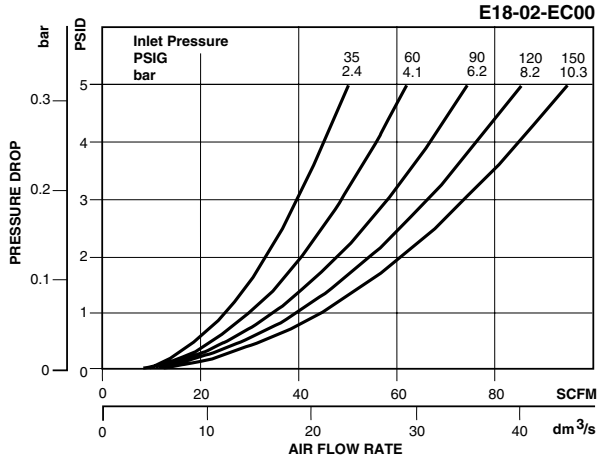
Dimensions

Models	Inches (mm)	A	B	C	D	E	F	G	H	J	K	L
Standard Unit E18-XX-EC00		7.32 (186)	2.70 (68.5)	2.36 (60)	4.79 (121.6)	3.52 (89.4)	1.79 (45.4)	0.28 (7.0)	0.18 (4.6)	0.55 (14)	0.28 (7.0)	0.55 (14)
Standard Unit E28-XX-EC00		7.32 (186)	2.96 (75.1)	2.88 (73.1)	4.79 (121.6)	3.52 (89.4)	1.79 (45.4)	0.28 (7.0)	0.18 (4.6)	0.55 (14)	0.28 (7.0)	0.55 (14)

Replacement Kits

Actuating Valve, KR Mount, 24VDC	VRP-95-776
Actuating Valve, KR Mount, 120VAC	VRP-95-777
Actuating Valve, CNOMO, 24VDC	VRP-95-778
Actuating Valve, CNOMO, 120VAC	VRP-95-779
Muffler	VRP-95-780
Valve / Spring Kit	VRP-95-781
Repair Kit (Includes Valve / Spring)	VRP-95-782
Body Cap Kit (E18)	VRP-95-784
Body Cap Kit (E28)	VRP-95-785
KR to CNOMO Adapter Block	VRP-95-712
C-Bracket –	
E18	GPA-97-086
E28	GPA-97-087

 = "Most Popular"



Ordering Information

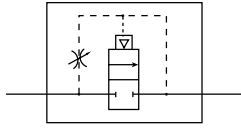
Model Type	Port Size	24V / DC N.C.	120V / 60 Hz N.C.
E18	1/4	E18-02-EC00	E18-02-ED00
	3/8	E18-03-EC00	E18-03-ED00
	1/2	E18-04-EC00	E18-04-ED00
E28	3/8	E28-03-EC00	E28-03-ED00
	1/2	E28-04-EC00	E28-04-ED00
	3/4	E28-06-EC00	E28-06-ED00

Options - To order an option supplied with the unit model, add the appropriate coded suffix letter in the designated position of the model number.

Slow Start Valve

S18 / S28

 = "Most Popular"



S18-02-A000

Specifications

Flow Capacity*	S18	1/4	95 SCFM (44.8 dm ³ /s)
		3/8	101 SCFM (47.6 dm ³ /s)
		1/2	113 SCFM (53.3 dm ³ /s)
	S28	3/8	196 SCFM (92.5 dm ³ /s)
		1/2	210 SCFM (99.0 dm ³ /s)
		3/4	230 SCFM (108.5 dm ³ /s)
Maximum Flow Rate Across Needle Valve			12 SCFM (5.7 dm ³ /s)
Operating Temperature			32° to 150°F (0° to 65.5°C)
Maximum Supply Pressure			150 PSIG (10.3 bar)
Minimum Operating Pressure			30 PSIG (2.1 bar)
Port Size	NPT / BSPP-G	S18	1/4, 3/8, 1/2
		S28	3/8, 1/2, 3/4
Weight	lb. (kg)	S18	.93 (.42)
		S28	1.16 (.53)

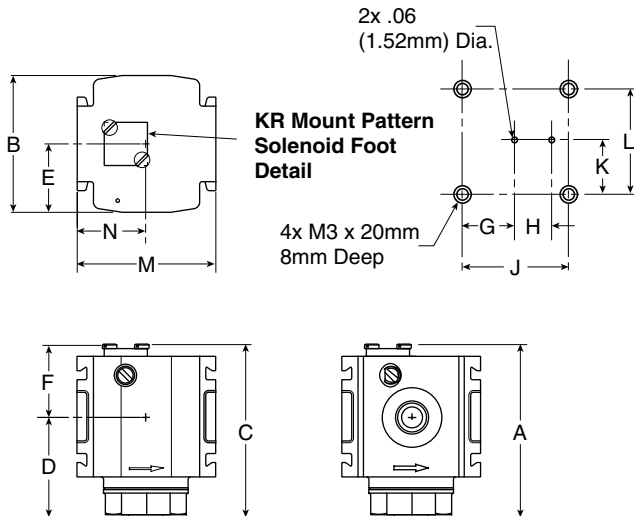
* Inlet pressure 150 PSIG (10.3 bar). Pressure drop 5 PSID (0.3 bar).

Features

- Can Reduce the Possibility of Equipment or Part Damage and Occupational Hazard to the Worker
- Volume Dependent Devices
- Air-Piloted
- Modern Design and Appearance

Materials of Construction

Body	Aluminum
Bottom Plug	33% Glass-Filled Nylon
Valve Assembly	Brass / Nitrile
Springs	Music Wire
Seals	Nitrile




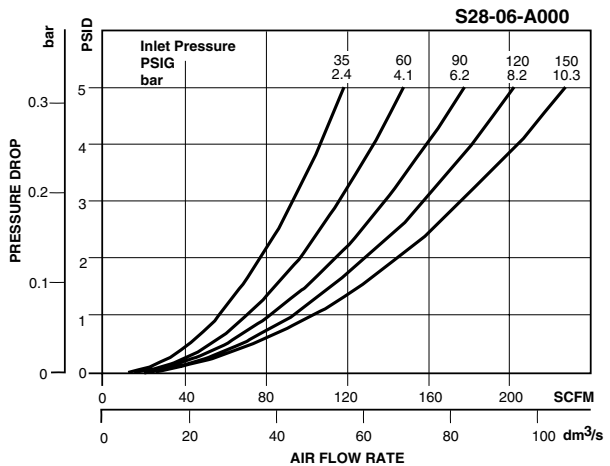
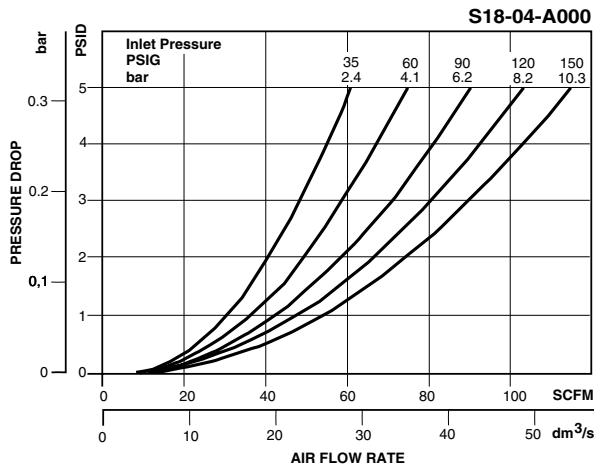
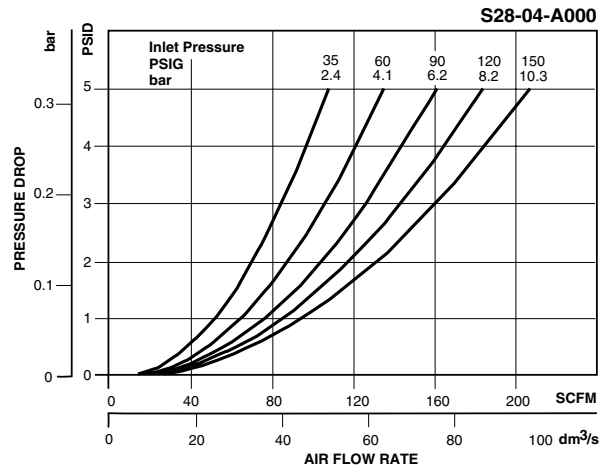
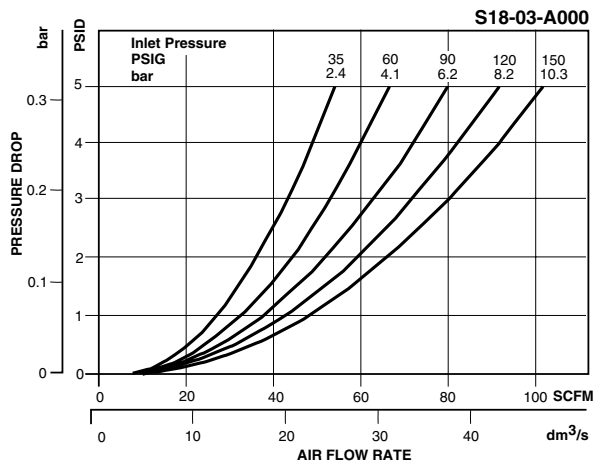
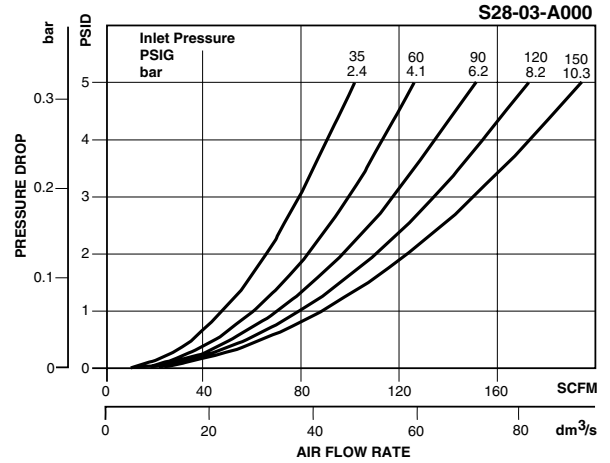
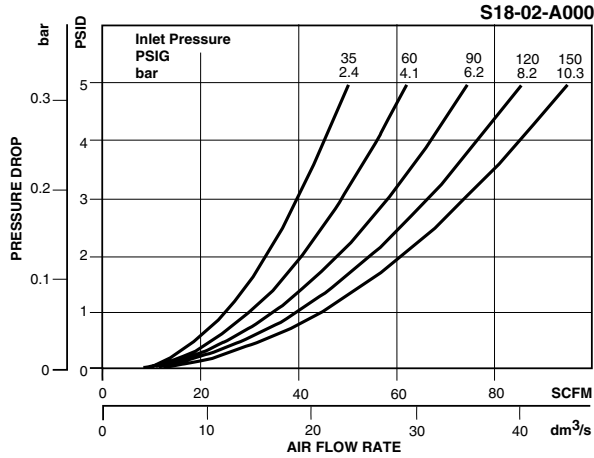
Replacement Kit

Valve Assembly KitVRP-96-927

Dimensions

Models	Inches (mm)	A	B	C	D	E	F	G	H	J	K	L	M	N
Standard Unit S18-XX-A000		2.94 (75)	2.36 (60)	2.94 (75)	1.71 (43.5)	1.18 (30)	1.23 (31)	0.28 (7.0)	0.18 (4.6)	0.55 (14)	0.28 (7.0)	0.55 (14)	2.36 (60)	1.18 (30)
Standard Unit S28-XX-A000		3.03 (77)	2.88 (73)	3.03 (77)	1.79 (45.5)	1.44 (36.5)	1.24 (31)	0.28 (7.0)	0.18 (4.6)	0.55 (14)	0.28 (7.0)	0.55 (14)	2.88 (73)	1.44 (36.5)

 = "Most Popular"



Ordering Information

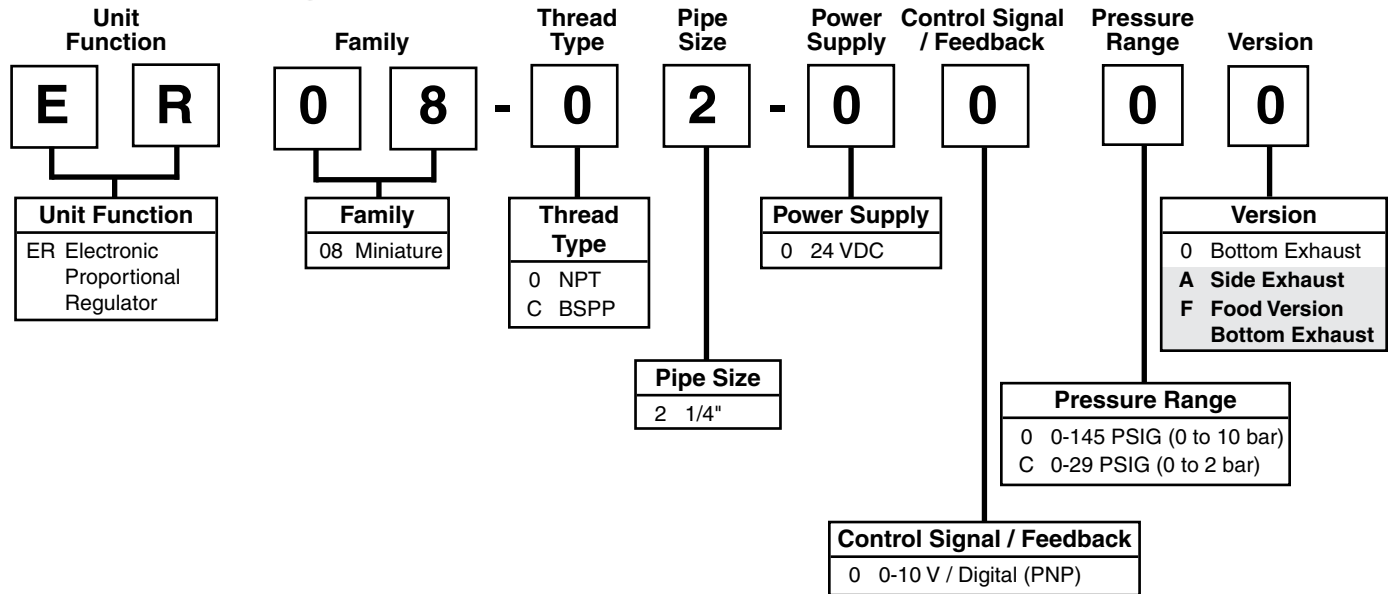
Model Type	Port Size	Internal Air Pilot Minimum Flow 12 SCFM (5,6 dm ³ /s)
S18	1/4	S18-02-A000
	3/8	S18-03-A000
	1/2	S18-04-A000
S28	3/8	S28-03-A000
	1/2	S28-04-A000
	3/4	S28-06-A000

Options - To order an option supplied with the unit model, add the appropriate coded suffix letter in the designated position of the model number.



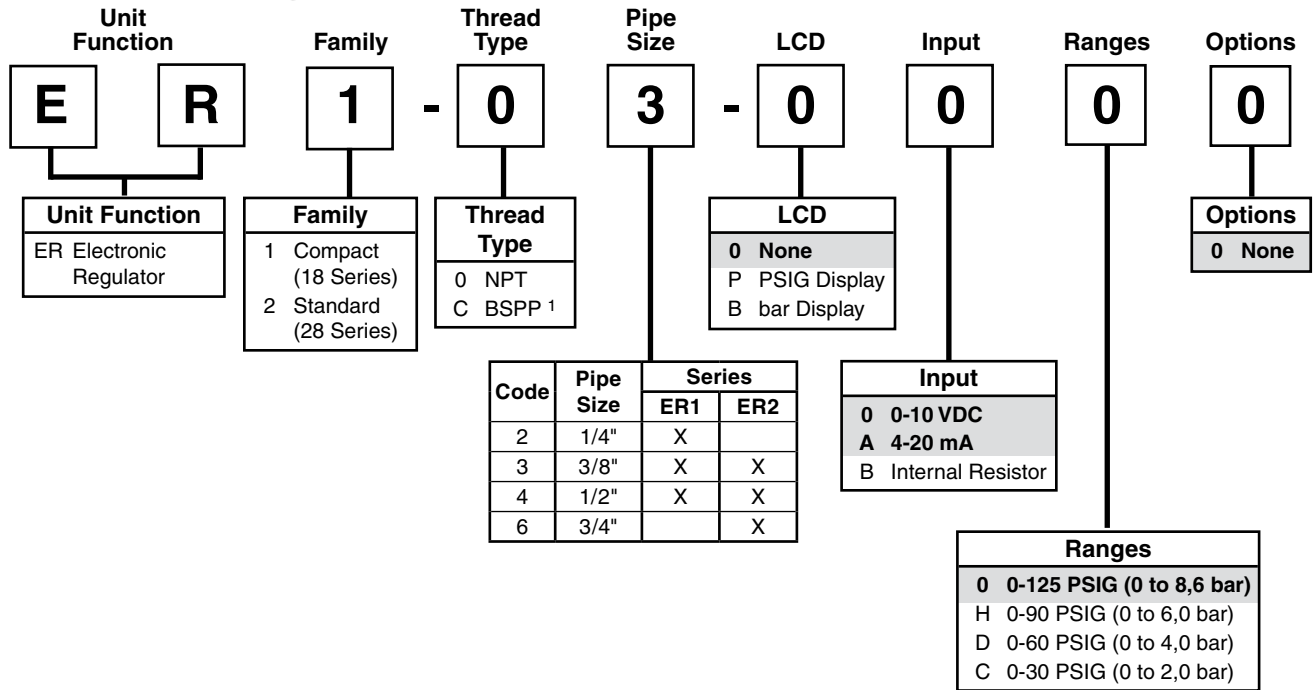
Electronic Proportional Regulator Numbering System

 = "Most Popular"



Electronic Regulator Numbering System

 = "Most Popular"



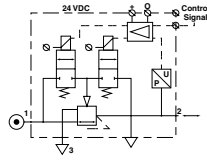
¹ ISO, R228 (G Series)



Electronic Proportional Regulator ER08

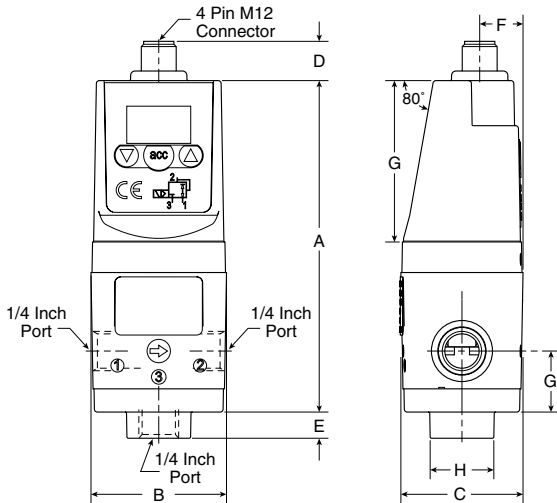


ER08



Features

- Low Watt Power Consumption
- High Visibility LED Display
- User Friendly and Easily Accessible Software
- Special Applications
- Compact and Light Weight
- Flexible Mounting Options
- 0 to 10V Control Signal, Adjustable to 4-20mA via Touch Pad Control



Dimensions

Models	Inches (mm)	A	B	C	D	E	F	G	H	J	K	L	M	N	P
Standard Unit ER08-XX-XXXX		4.49 (114)	1.85 (47)	1.65 (42)	0.53 (13.5)	0.35 (9)	0.59 (15)	0.82 (21)	0.87 (22)	—	—	—	—	—	—
Standard Unit with Foot Bracket ER08-XX-XXXX		4.49 (114)	1.85 (47)	1.65 (42)	0.53 (13.5)	0.35 (9)	0.59 (15)	0.82 (21)	0.87 (22)	—	0.55 (14)	1.18 (30)	0.85 (21.5)	0.08 (2)	0.22 (5.5)
Standard Unit with DIN Rail ER08-XX-XXXX		4.49 (114)	1.85 (47)	1.65 (42)	0.53 (13.5)	0.35 (9)	0.59 (15)	0.82 (21)	0.87 (22)	0.09 (2.3)	—	—	—	—	—

= "Most Popular"

Specifications

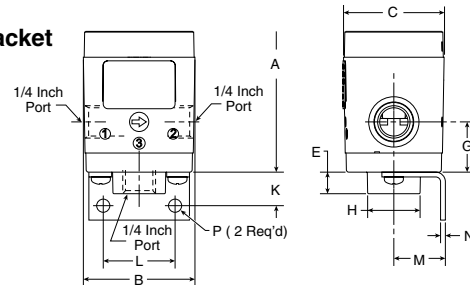
Flow Capacity*	1/4	35 SCFM (16.5 dm ³ /s)
Accuracy Linearity	= < 0.3% F.S.*	
Current Consumption	Max. 200 mA with No Load	
Dead Band – Preset at 1.3% F.S.*, adjustable via parameter 13.		
Degree of Protection	IP65	
Maximum Operating Pressure –		
2 bar Unit	3 bar (43.5 PSI)	
10 bar Unit	10.5 bar (152 PSI)	
Minimum Operating Pressure	P2 Pressure + 0.5 bar (7.3 PSI)	
Power Consumption	1.1 W	
Supply Voltage	24 VDC +/- 10%	
Temperature Range	32°F to 122°F (0°C to 50°C)	
Weight	10 oz.	

* Inlet pressure 150 PSIG (10.3 bar). Pressure drop 5 PSID (0.3 bar).

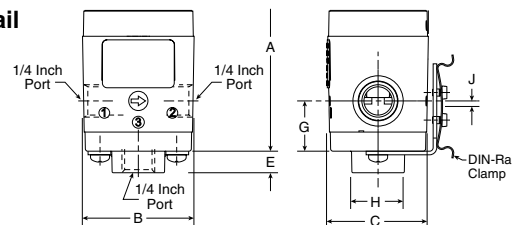
Materials of Construction

Core Housing	Brass
Magnet Core	Steel
Regulator Housing	Techno Polymer
Remaining Seals	NBR
Seats and Auxiliary Piston	Delrin, Brass
Solenoid Valve Poppet	FPM
Solenoid Valve Housing	Techno Polymer
Port Connections – Standard Version	Brass
Food	Stainless Steel
Valve	Polyurethane

Foot Bracket

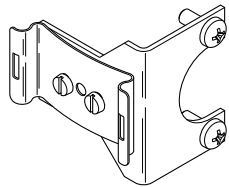


DIN Rail

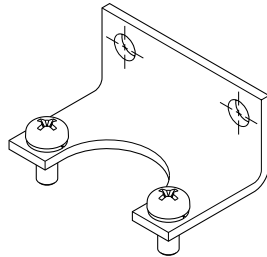


Accessories

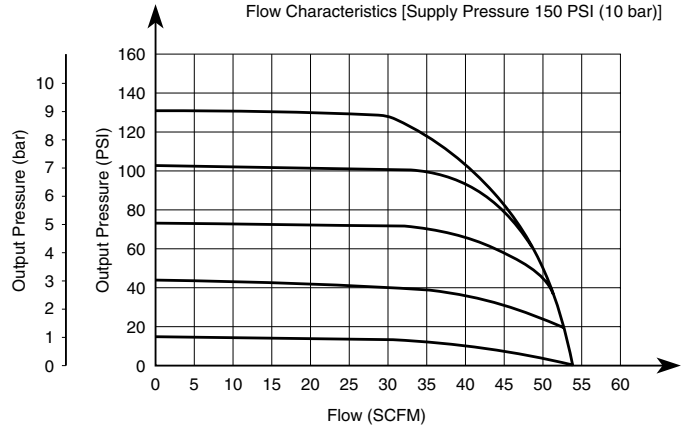
- Cable (M12, 4-pin connection w/2m cable)CB-M12-4P-2M
- DIN Rail Mounting Kit P3HKA00MK
- Foot Bracket Mounting Kit P3HKA00MF
- Seal Kit (valve seat, cover seal) 3538200
- Valve Kit (2 valves, screws, cover seal)3538100



DIN Rail



Foot Bracket



Parameters

P00	P04	P09	P 14	P 18	P 19	P20	P 12	P 13	P21	P39
Reset Back to Factory Settings	Set Control Signal in Volts or Milliamps	Adjust Digital Display Value (Pressure Calibration)	Set Pressure Scale in PSI or bar	Set Minimum Preset Pressure	Set Maximum Preset Pressure	Set Behavior Control	Set Proportional Band	Set Deadband	Set Proportional Effect	Displays Current Software Version

For Parameter Adjustment Details, refer to Instruction Sheet 2R210 or visit www.wilkeroncorp.com

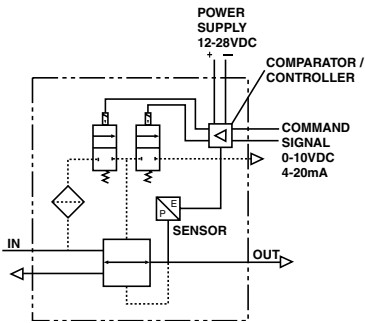
Ordering Information

Models	Port Size	Output Pressure
ER08-02-00C0	1/4	0-2 bar (29 PSI)
ER08-02-0000	1/4	0-10 bar (145 PSI)

Options - To order an option supplied with the unit model, add the appropriate coded suffix letter in the designated position of the model number.

Electronic Regulator ER1 / ER2

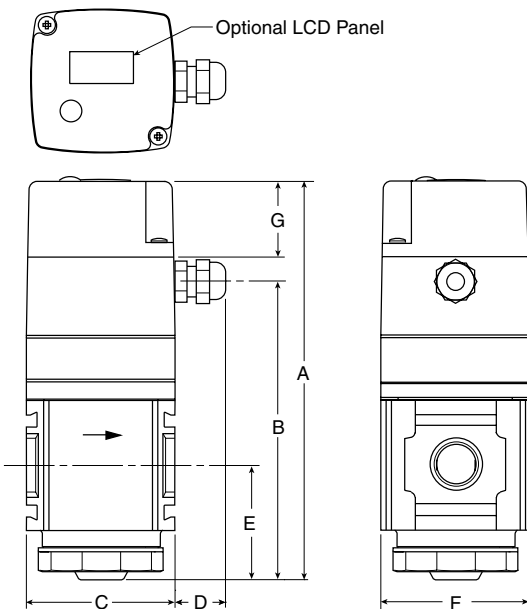
 = "Most Popular"



ER1-02-0000

Features

- Optional LCD Panel Displays P2 Pressure in PSIG or bar
- Modern Design and Appearance
- Light Weight
- High Flow Capacity
- 5 Micron Filtration to Controller is Built-in



Dimensions

Models	Inches (mm)	A	B	C	D	E	F	G
Standard Unit ER1-XX-0000		6.31 (160)	4.71 (120)	2.35 (60)	0.79 (20)	1.79 (45)	2.35 (60)	1.20 (30)
Standard Unit ER2-XX-0000		6.31 (160)	4.71 (120)	2.88 (73)	0.79 (20)	1.79 (45)	2.88 (73)	1.20 (30)

Specifications

Flow Capacity*	ER1	1/4	165 SCFM (77.9 dm ³ /s)
		3/8	200 SCFM (94.4 dm ³ /s)
		1/2	200 SCFM (94.4 dm ³ /s)
	ER2	3/8	200 SCFM (94.4 dm ³ /s)
		1/2	200 SCFM (94.4 dm ³ /s)
		3/4	200 SCFM (94.4 dm ³ /s)
Adjusting Range	0 to 125 PSIG (0 to 8.6 bar)		
Hysteresis / Repeatability	± .8% of Full Scale		
Linearity	< 1.0 PSIG (0.6 bar)		
Maximum Supply Pressure	150 PSIG (10.3 bar)		
Operating Temperature	32° to 125°F (0° to 52°C)		
Port Size	NPT / BSPP-G	1/4, 3/8, 1/2, 3/4	
Response	with Step Input 600 ms		
Sensitivity	± .8% of Full Scale		
Weight	lb. (kg)	ER1	1.76 (0.8)
		ER2	2.43 (1.1)


* Inlet pressure 150 PSIG (10.3 bar). Secondary pressure 90 PSIG (6.2 bar).

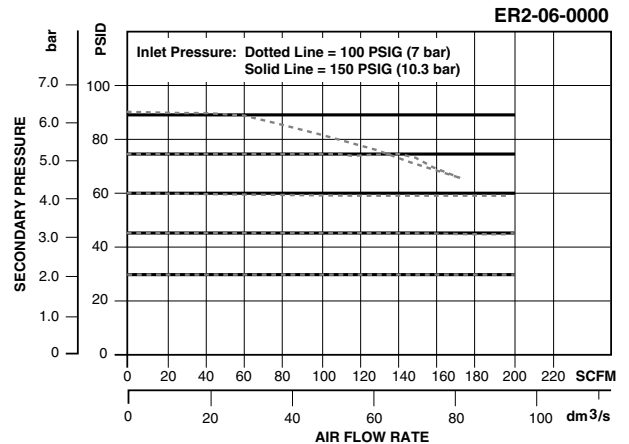
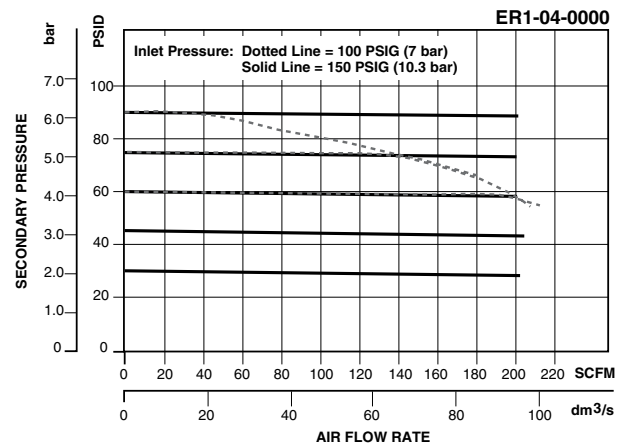
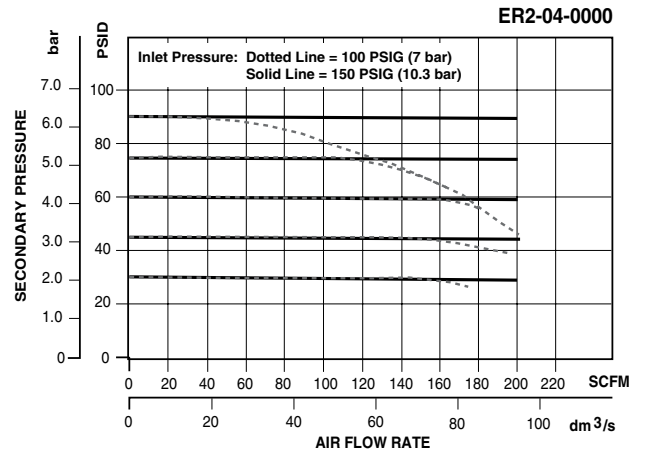
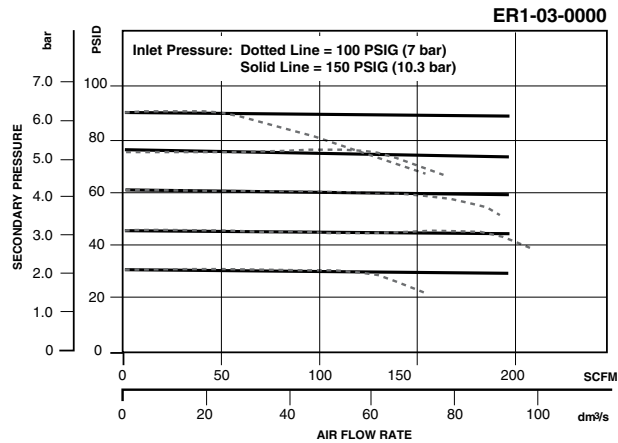
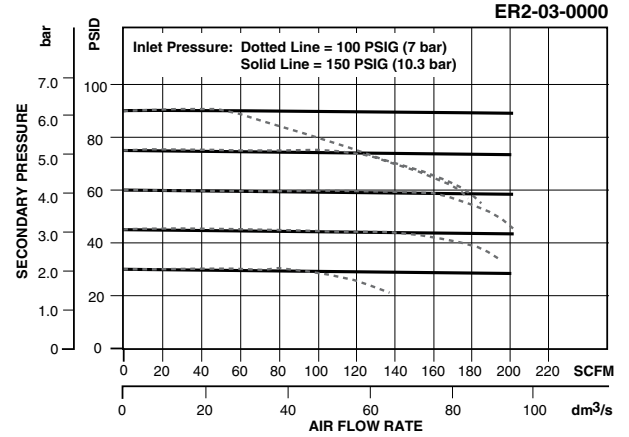
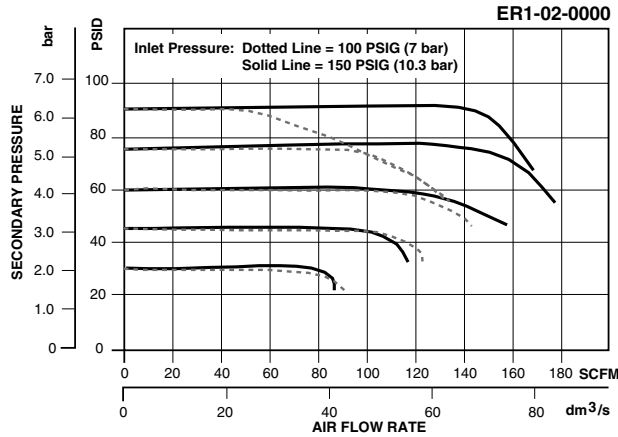
Materials of Construction

Body	Aluminum
Body Cover	ABS
Bottom Plug	33% Glass-Filled – Nylon 6-12
Diaphragms	Nitrile / Zinc / Brass
Diaphragm Plate	Acetal
Panel Nut	Acetal
Seals	Nitrile
Springs	Music Wire / Stainless Steel
Valve Assembly	Brass / Nitrile

Accessories

Bottom Valve & Spring.....	ERP-95-794
C-Bracket –	
ER-1	GPA-97-086
ER-2.....	GPA-97-087
Diaphragm Kit –	
ER1	ERP-95-792
ER2	ERP-95-793
Exhaust Muffler	VRP-95-780

 = "Most Popular"



Ordering Information

Model Type	Port Size	0 to 10 VDC With LCD (PSI)	0 to 10 VDC With LCD (bar)	4 to 20 mA With LCD (PSI)	4 to 20 mA With LCD (bar)	0 to 10 VDC Without LCD	4 to 20mA Without LCD	Internal With LCD (PSI)	Internal With LCD (bar)
ER1	1/4	ER1-02-P000	ER1-C2-B000	ER1-02-PA00	ER1-C2-BA00	ER1-02-0000	ER1-02-0A00	ER1-02-PB00	ER1-C2-BB00
	3/8	ER1-03-P000	ER1-C3-B000	ER1-03-PA00	ER1-C3-BA00	ER1-03-0000	ER1-03-0A00	ER1-03-PB00	ER1-C3-BB00
	1/2	ER1-04-P000	ER1-C4-B000	ER1-04-PA00	ER1-C4-BA00	ER1-04-0000	ER1-04-0A00	ER1-04-PB00	ER1-C4-BB00
ER2	3/8	ER2-03-P000	ER2-C3-B000	ER2-03-PA00	ER2-C3-BA00	ER2-03-0000	ER2-03-0A00	ER2-03-PB00	ER2-C3-BB00
	1/2	ER2-04-P000	ER2-C4-B000	ER2-04-PA00	ER2-C4-BA00	ER2-04-0000	ER2-04-0A00	ER2-04-PB00	ER2-C4-BB00
	3/4	ER2-06-P000	ER2-C6-B000	ER2-06-PA00	ER2-C6-BA00	ER2-06-0000	ER2-06-0A00	ER2-06-PB00	ER2-C6-BB00

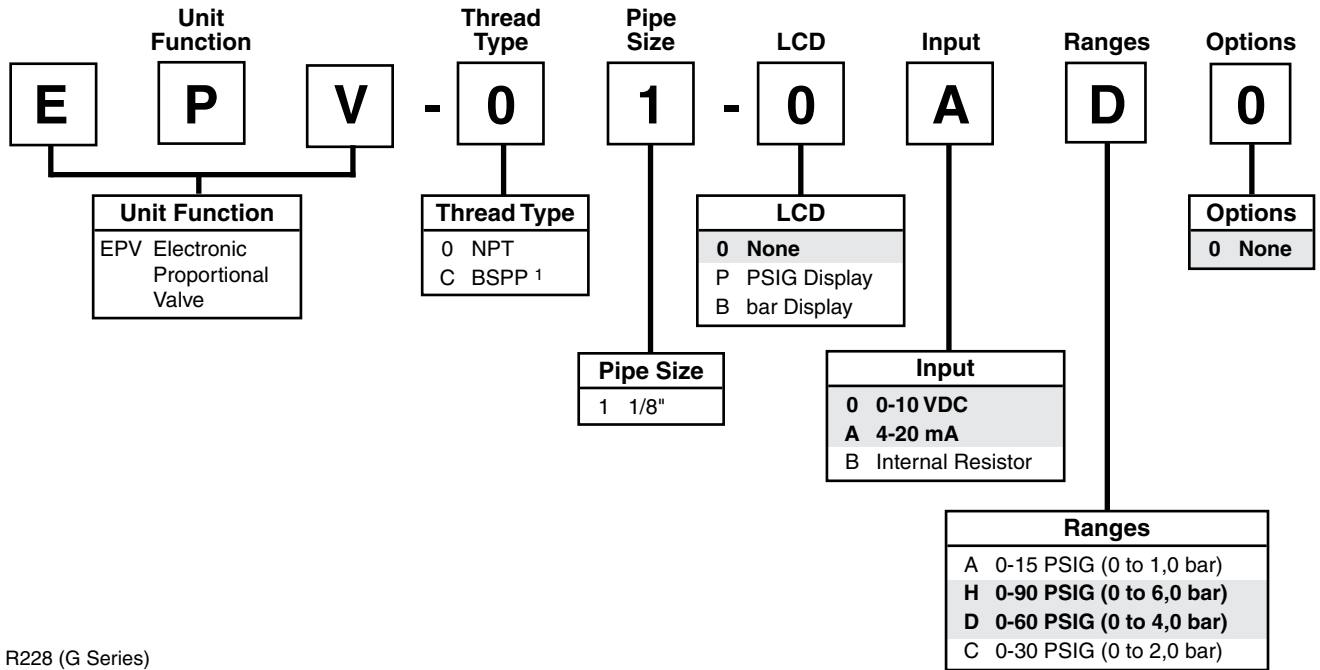
Options - To order an option supplied with the unit model, add the appropriate coded suffix letter in the designated position of the model number.



Notes

Electronic Proportional Valve Numbering System

 = "Most Popular"



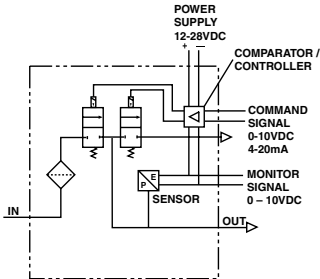
¹ ISO, R228 (G Series)



Electronic Proportional Valve

EPV

 = "Most Popular"



EPV-01-00H0

Features

- Optional LCD Panel Displays P2 Pressure in PSIG or bar
- Modern Design and Appearance
- Light Weight
- 0-10 VDC, 4-20mA, or Internal Control Signal Options Available

Specifications

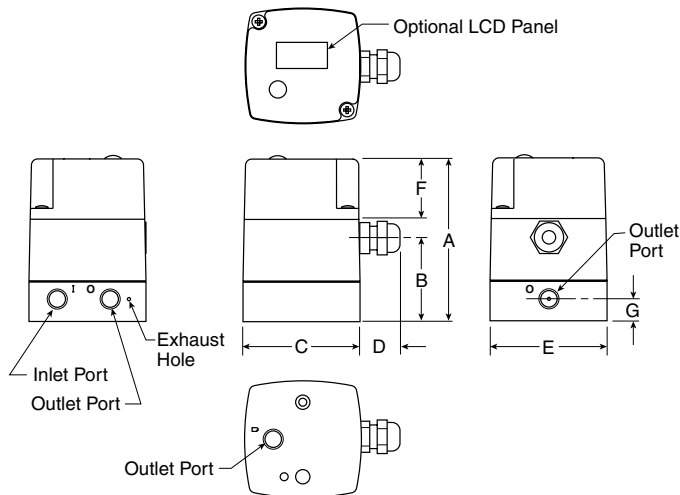
Flow Rate	$C_v = .02$
Linearity	< 1.0 PSIG (.06 bar)
Maximum Supply Pressure	150 PSIG (10.3 bar)
Operating Temperature	32° to 125°F (0° to 52°C)
Output Pressure Ranges	15 / 30 / 60 / 90 PSIG 1/2, 1/4, 1/6, 2 bar
Overall Accuracy	0.8% Scale
Port Size	NPT / BSPP-G 1/8
Response*	50 mSEC
Step Response**	with Step Input 600 mSEC
Weight	lb. (kg) .92 (.42)

* Response time for the unit to recognize and correct for a change in set value or conditions.

** Step response is the time to go from 10 to 90% of set value with a 60 PSIG (4.0 bar) step input.


Materials of Construction

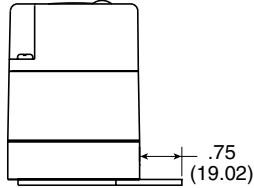
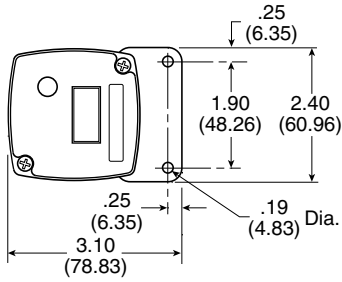
Body / Cap	Aluminum
Body Cover	ABS
Seals	Nitrile
Valve Assembly	Brass / Nitrile



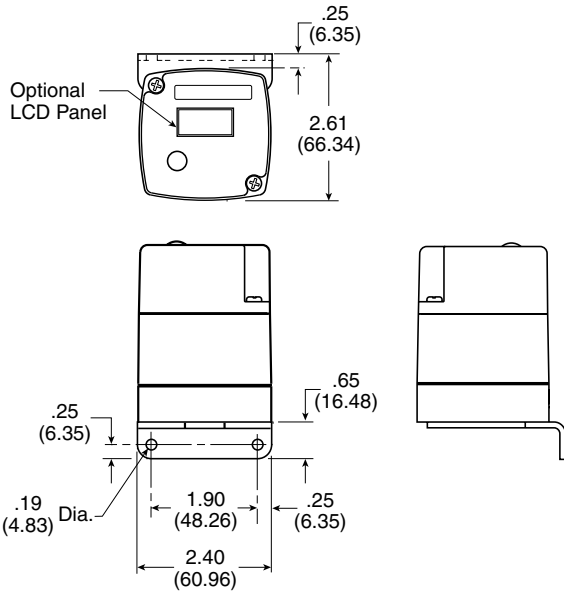
Dimensions

Models	Inches (mm)	A	B	C	D	E	F	G
Standard Unit EPV-XX-0000		3.28 (83)	1.69 (43)	2.35 (60)	0.79 (20)	2.35 (60)	1.20 (30)	0.45 (11)

 = "Most Popular"



Flat Bracket



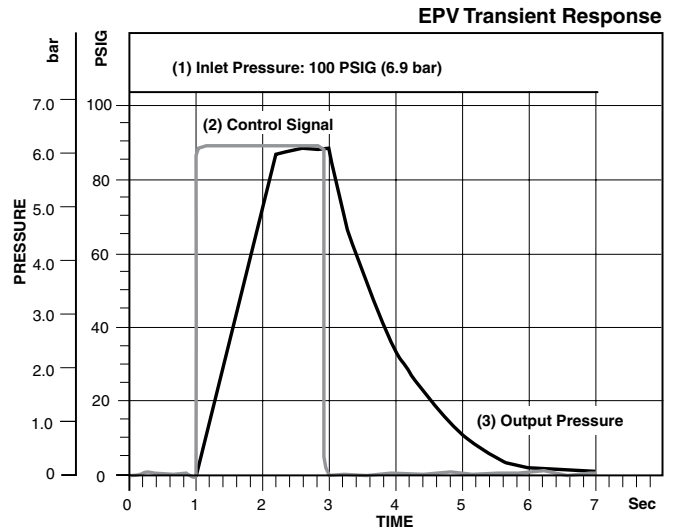
Angled Bracket

The EPV provides highly accurate pressure for static and low flow applications. In addition, the EPV is available in both 1/8" NPT or G-series outlet ports on three sides and has a unique compact design which allows for easy installation.

For optimum valve and system performance, we recommend a pre-filter package consisting of a 5 micron particulate filter and a .01 micron coalescing filter.

Replacement Kits

- Flat Bracket Kit.....EPP-95-351
- Angled Bracket KitEPP-95-352
- Control Board, EPV 15 / 30 PSIG.....EPP-95-782



Ordering Information

Model Type	Port Size	Display	0 to 10 VDC w/ LCD	4 to 20 mA w/ LCD	Internal With LCD
EPV	1/8	PSI	EPV-01-P0H0	EPV-01-PAH0	EPV-01-PBH0
		bar	EPV-C1-B0H0	EPV-C1-BAH0	EPV-C1-BBH0
		None	EPV-01-00H0	EPV-01-0AH0	—

Options - To order an option supplied with the unit model, add the appropriate coded suffix letter in the designated position of the model number.

Modular Membrane Dryer MSD Series

 = "Most Popular"



Specifications

Max Pressure Drop	KA1E	PSI (bar)	1.45 (0.099 bar)
	KA2E		1.45 (0.099 bar)
	KB1E		3.9 (0.269 bar)
	KB2E		4.35 (0.299 bar)
Port Size	NPT/BSPP-G		3/8
Weight	KA1E	lbs. (kg)	3.1 (1.4 kg)
	KA2E		3.5 (1.6 kg)
	KB1E		4.2 (1.9 kg)
	KB2E		5.3 (2.4 kg)

* Inlet pressure 100 PSIG (6.9 bar), inlet air temperature 77°F (25°C), tested according to ANSI / CAGI Standard ADF 700

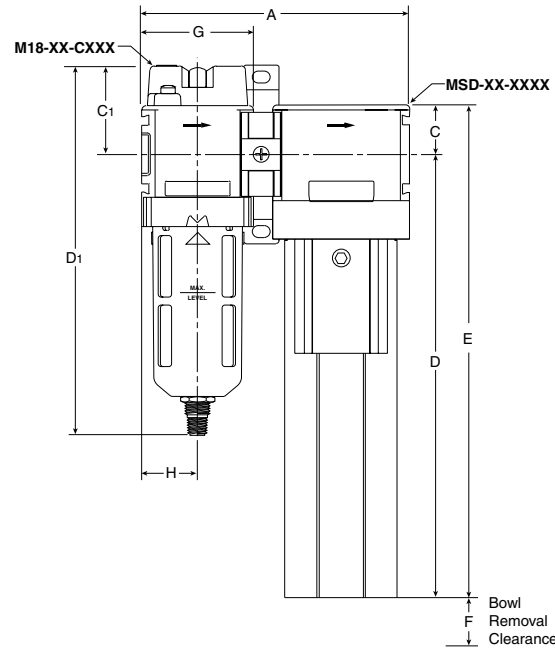
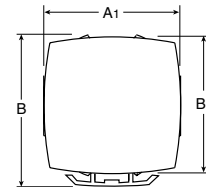
Materials of Construction

Body	Zinc
Bowl	Aluminum

Features

- Available in 3/8, 1/2 NPT or BSPP-G Port Sizes
- Dried Compressed Air is Immediate
- Compact Modular Design
- Simple and Space-Saving Installation
- Low Pressure Drop
- Suitable for Hazardous Areas
- No Moving Parts
- No Electrical Connection Necessary
- No User Purge Adjustment
- Compatible with 18 / 28 Series Modular Product Line

EXAMPLE:
MSD-XX-CXXX
M18 Coalescing Filter,
0.01 Micron with
Membrane Dryer



NOTE: For optimum system design and maximum element life, Wilkerson suggests using an F18 Series 5 micron particulate prefilter in front of the M18 Coalescer.

Dimensions

Models	Inches (mm)	A	A ₁	B	B ₁	C	C ₁	D	D ₁	E	F	G	H
MSD-XX-KA1X		5.60 (142)	2.90 (74)	— —	2.90 (74)	1.00 (26)	1.90 (48)	6.60 (167.6)	8.23 (209)	7.60 (193)	1.70 (42)	2.36 (59.9)	1.18 (30)
MSD-XX-KA2X		5.60 (142)	2.90 (74)	— —	2.90 (74)	1.00 (26)	1.90 (48)	9.40 (238.8)	8.23 (209)	10.40 (264)	1.70 (42)	2.36 (59.9)	1.18 (30)
MSD-XX-KB1X		5.60 (142)	2.90 (74)	3.10 (79)	2.90 (74)	1.00 (26)	1.90 (48)	10.90 (276.9)	8.23 (209)	11.90 (302)	2.30 (57)	2.36 (59.9)	1.18 (30)
MSD-XX-KB2X		5.60 (142)	2.90 (74)	3.10 (79)	2.90 (74)	1.00 (26)	1.90 (48)	13.70 (347.9)	8.23 (209)	14.70 (373)	2.30 (57)	2.36 (59.9)	1.18 (30)

How to Select Your Membrane Dryer = "Most Popular"

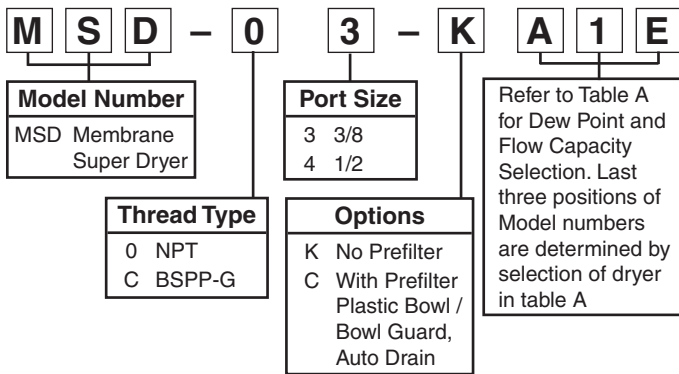


Table A: Membrane Dryer Flow Capacities

Model Number	ADP ¹ °F (°C)	Maximum Outlet Air Flow ² SCFM (L/min)	Purge Flow SCFM (L/min)	Inlet Flow ³ SCFM (L/min)
MSD-03-KA1E	-4 (-20)	1.8 (50)	0.3 (8)	2.1 (58)
MSD-03-KA2E	-4 (-20)	3.5 (100)	0.5 (14)	4.0 (114)
MSD-03-KB1E	-4 (-20)	7.1 (200)	1.1 (30)	8.8 (230)
MSD-03-KB2E	-4 (-20)	10.6 (300)	1.6 (44)	12.2 (344)
MSD-03-KA1D	-4 (-20)	3.5 (100)	0.9 (25)	4.4 (125)
MSD-03-KA2D	-4 (-20)	7.1 (200)	1.8 (50)	8.9 (250)
MSD-03-KB1D	-4 (-20)	14.1 (400)	3.5 (100)	17.6 (500)
MSD-03-KB2D	-4 (-20)	21.2 (600)	5.3 (150)	26.5 (750)
MSD-03-KA1D	-40 (-40)	1.4 (40)	0.9 (25)	2.3 (65)
MSD-03-KA2D	-40 (-40)	2.8 (80)	1.8 (50)	4.6 (130)
MSD-03-KB1D	-40 (-40)	5.7 (160)	3.5 (100)	9.2 (260)
MSD-03-KB2D	-40 (-40)	8.5 (240)	5.3 (150)	13.8 (390)

TO SELECT A DRYER FOR YOUR APPLICATION

The outlet flows in Table A are based on 100 PSIG (6.9 bar) inlet pressure, and 77°F (25°C) inlet air temperature. For proper model selection in your specific application, you must adjust the outlet air flow requirement for the actual inlet air temperature and pressure where the dryer will be installed. This is accomplished by using the correction factors found in Tables B and C (above).

FOR EXAMPLE: If an application which requires a -4°F atmospheric dew point, 8 SCFM (226L/min) of air (this would be dryer outlet flow), system pressure (dryer inlet pressure) at 140 PSIG (9.6 bar), and inlet air temperature of 95°F (35°C). *TO ADJUST FOR PRESSURE:* Take the 8 SCFM (226L/min) air flow, and from Table B, *MULTIPLY* by 1.35, which equals 10.8 SCFM (306L/min). *THEN, TO ADJUST FOR TEMPERATURE:* Take the 10.8 SCFM (306L/min) and from Table C, *MULTIPLY* by 0.85, which equals 9.18 SCFM (275 L/min), which is the *ADJUSTED OUTLET AIR FLOW REQUIREMENT FOR THE APPLICATION*. From Table A, the model which would be best suited for this application is the MSD-03-KB2E, which has an outlet air flow of 10.6 SCFM (300L/min). On the same line, you will see the purge at rated flow is 1.6 SCFM (44L/min), and the *TOTAL INLET FLOW REQUIRED* (outlet + purge) is 12.2 SCFM (344L/min) for this model.

Please contact Applications Engineering if your application cannot be adjusted using these tables.

¹ Atmospheric Dew Point
² Flow rates based on: 100 PSIG (6.9 bar) inlet, 77°F (25°C) inlet air temperature, and 77°F (25°C) ambient temperature. Tested according to ANSI / CAGI Standard ADF 700
³ Required inlet flow is combined outlet flow plus purge flow

Dew Point Conversion Chart

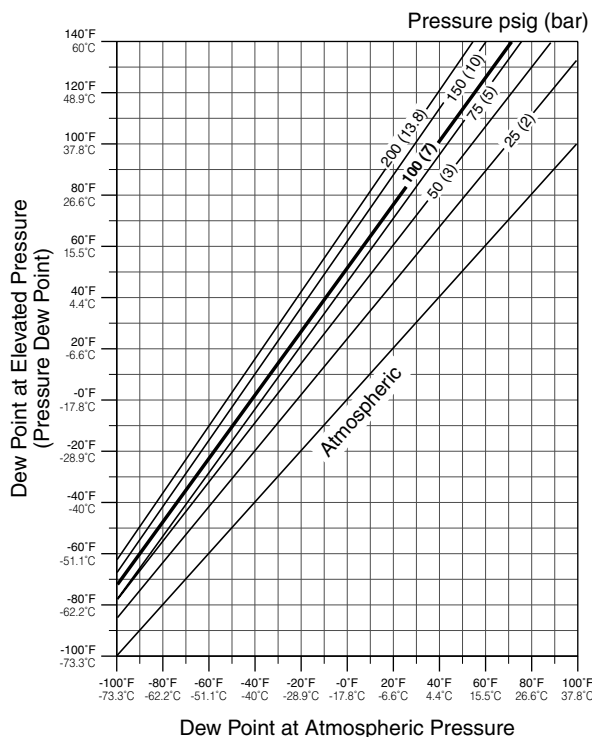


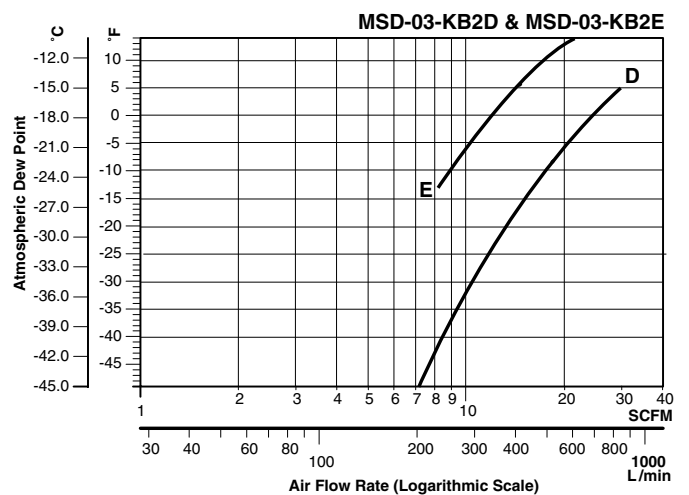
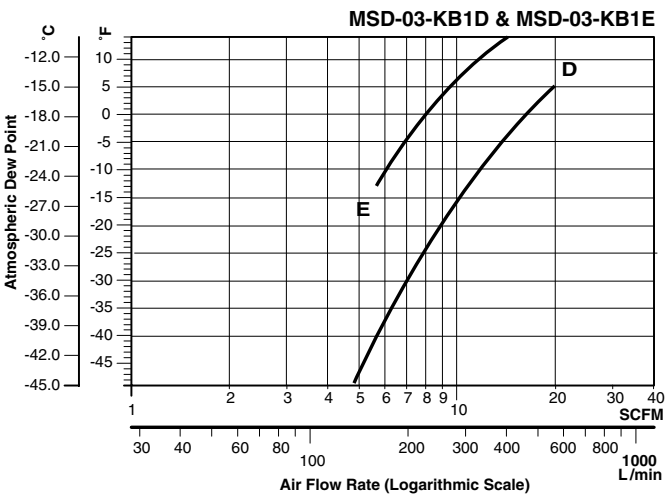
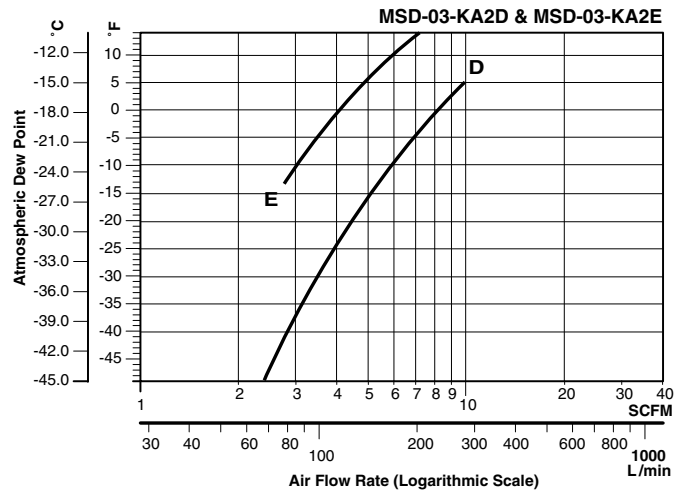
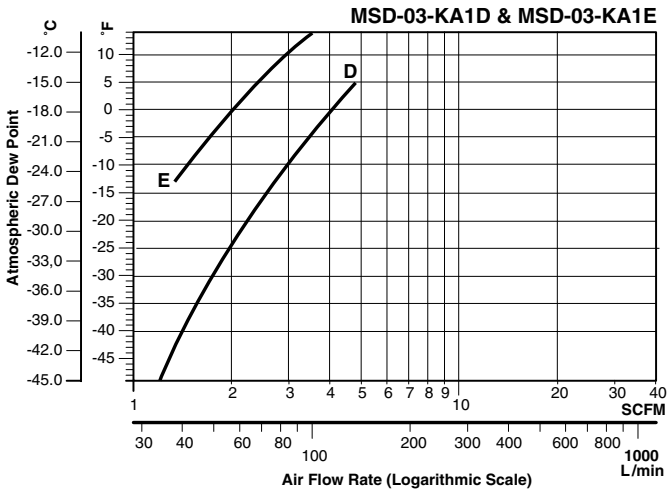
Table B:

Pressure Correction Factors (all models)	
Inlet Pressure PSIG (bar)	Multiply Outlet Flow by:
60 (4.1)	0.55
80 (5.5)	0.75
100 (6.9)	1.00
120 (8.3)	1.20
140 (9.6)	1.35
160 (11.0)	1.50

Table C:

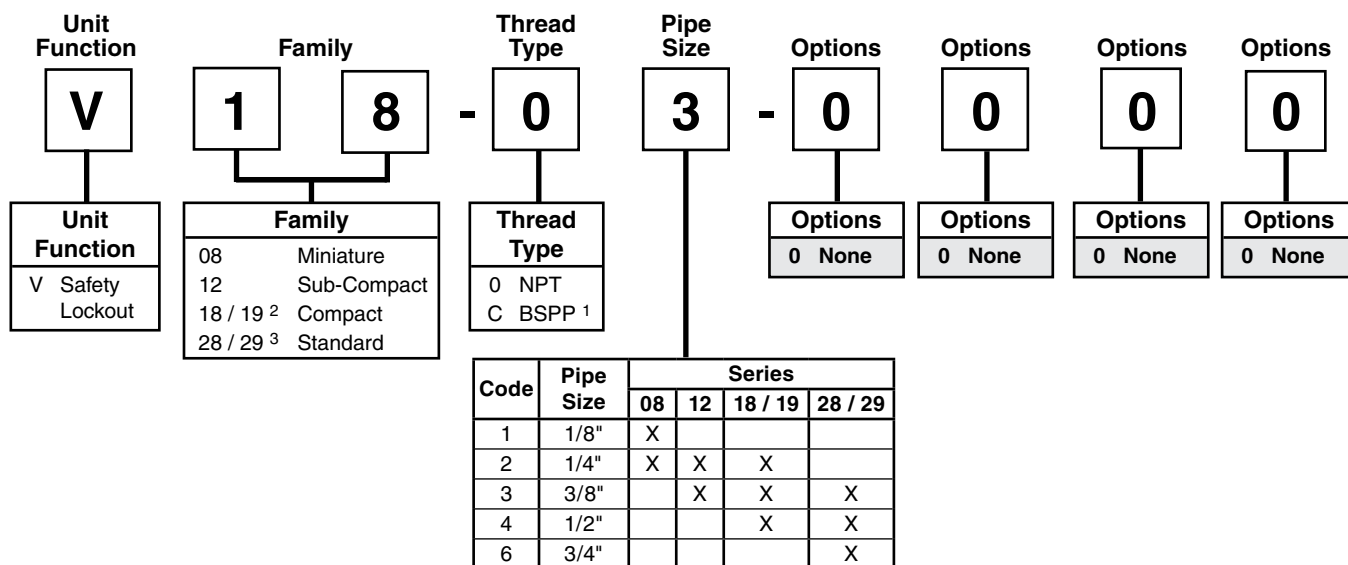
Inlet Air Temperature Correction Factors		
Inlet Temp °F (°C)	-40°F (-40°C) ADP	-4°F (-20°C) ADP
	Multiply Outlet Flow by:	
41 (5)	1.28	—
59 (15)	1.10	—
77 (25)	1.00	1.00
95 (35)	0.90	0.85
113 (45)	0.81	0.75
122 (50)	0.80	0.70

Membrane Dryer Dewpoints at Various Flow Rates



Safety Lockout Valve Numbering System

= "Most Popular"



- ¹ ISO, R228 (G Series)
- ² V18 / 19 - 18 Series is left-to-right (viewed from front) flow, designated by orange slide. 19 Series is right-to-left flow, designated by yellow slide.
- ³ V28 / 29 - 28 Series is left-to-right (viewed from front) flow, designated by orange slide. 29 Series is right-to-left flow, designated by yellow slide.

Ordering Information

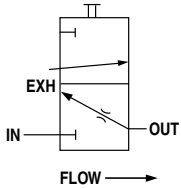
Model Type	Port Size	Safety Lockout Valve
V08	1/8	V08-01-0000
	1/4	V08-02-0000
V12	1/4	V12-02-0000
	3/8	V12-03-0000
V18*	1/4	V18-02-0000
	3/8	V18-03-0000
	1/2	V18-04-0000
V28*	3/8	V28-03-0000
	1/2	V28-04-0000
	3/4	V28-06-0000
V19†	1/4	V19-02-0000
	3/8	V19-03-0000
	1/2	V19-04-0000
V29†	3/8	V29-03-0000
	1/2	V29-04-0000
	3/4	V29-06-0000

* V18 / V28 left to right (Viewed from the front) air flow, is designated by orange slide.
 † V19 / V29 left to right (Viewed from the front) air flow, is designated by yellow slide.



Safety Lockout Valve V08

 = "Most Popular"



V08-01-0000

Features

The V08 safety lockout valve is a manually operated, slide-type, 2-position, 3-way valve. In the closed position, downstream air is exhausted to atmosphere. The valve slide can be locked in the closed position with a customer supplied padlock. The V08 safety lockout valves conform to OSHA #29 CFR part 1910 – control of hazardous energy source (lockout / tagout).

Specifications

Flow Capacity*	1/8	55 SCFM (26 dm ³ /s)
	1/4	100 SCFM (47.2 dm ³ /s)
Exhaust Flow	V08 1/8	C _v = 0.241
	V08 1/4	C _v = 0.253
Maximum Supply Pressure	150 PSIG (10.3 bar)	
Operating Temperature	32° to 150°F (0° to 65.5°C)	
Port Size	NPT / BSPP-G	1/8, 1/4
Weight	lb. (kg)	.66 (0.3)

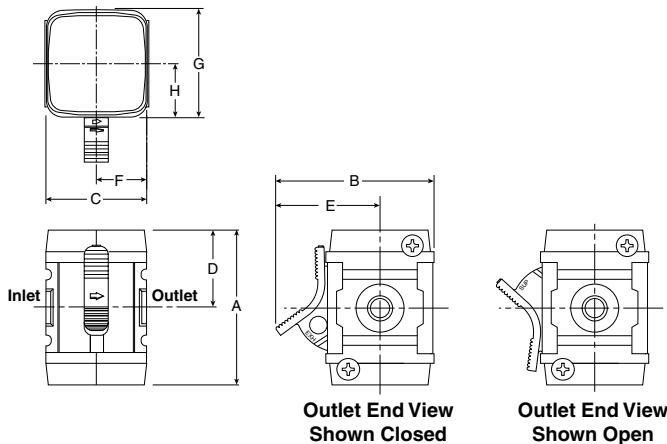
* Inlet pressure 150 PSIG (10.3 bar). Pressure drop 5 PSID (0.3 bar).

Materials of Construction

Blade	Acetal
Body	Zinc
Seals	Nitrile

Replacement Kit

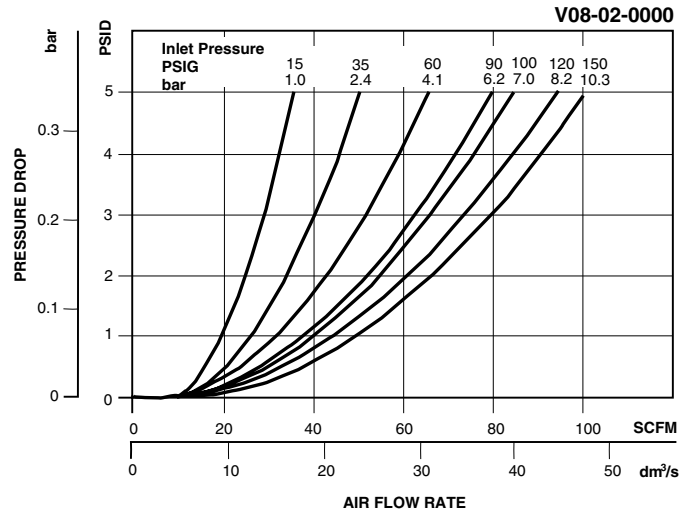
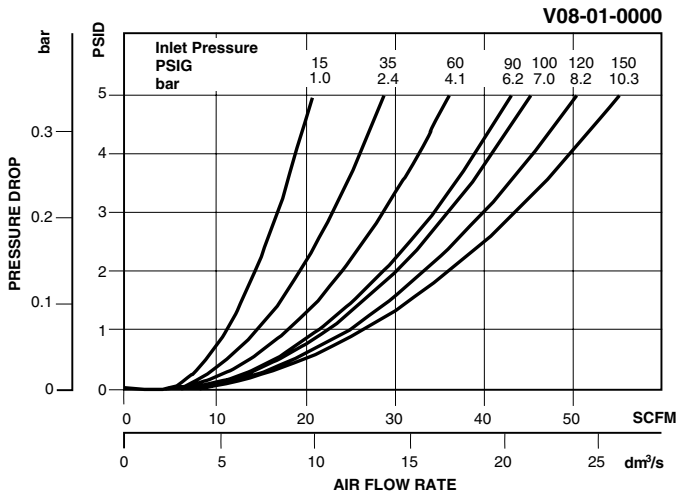
Blade and O-ring.....VRP-96-924



Dimensions

Models	Inches (mm)	A	B	C	D	E	F	G	H
Standard Unit V08-XX-0000		2.41 (61.2)	2.46 (62.5)	1.58 (40)	1.21 (30.7)	1.63 (41.4)	0.79 (20)	1.68 (42.7)	0.84 (21.3)

= "Most Popular"

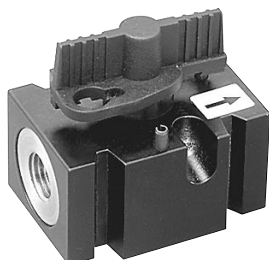
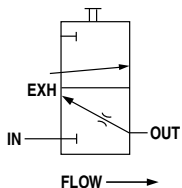


Ordering Information

Model Type	Port Size	Safety Lockout Valve
V08	1/8	V08-01-0000
	1/4	V08-02-0000

Options - To order an option supplied with the unit model, add the appropriate coded suffix letter in the designated position of the model number.

Safety Lockout Valve V12



V12-02-0000

Specifications

Flow Capacity*	1/4	110 SCFM (51.9 dm ³ /s)
	3/8	129 SCFM (60.8 dm ³ /s)
Maximum Supply Pressure	250 PSIG (17.2 bar)	
Operating Temperature	32° to 175°F (0° to 79.4°C)	
Port Size	NPT / BSPP-G	1/4, 3/8
Weight	lb. (kg)	1.0 (0.45)

* Inlet pressure 150 PSIG (10.3 bar). Pressure drop 5 PSID (0.3 bar).

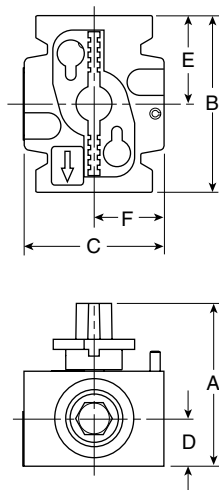
Materials of Construction

Ball Valve	Steel
Body	Aluminum
Seals	Teflon
Handle	Nylon

Features

The V12 Lockout Valve provides positive shut-off and exhaust capability to isolate Modular units so they can be easily removed from the line and can be locked in a closed position. Accepts #3 padlock.

NOTE: Body Connectors are not supplied with Lockout Valves.



Dimensions

Models	Inches (mm)	A	B	C	D	E	F
Standard Unit V12-XX-0000		1.93 (49)	2.09 (53)	1.65 (42)	.56 (14)	1.06 (27)	0.83 (21)



Ordering Information

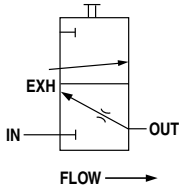
Model Type	Port Size	Safety Lockout Valve
V12	1/4	V12-02-0000
	3/8	V12-03-0000

Options - To order an option supplied with the unit model, add the appropriate coded suffix letter in the designated position of the model number.

Safety Lockout Valve

V18 / V28

 = "Most Popular"



V18-02-0000
Left to Right Flow
(Orange Slide)

Features

The V18 / V28 safety lockout valve is a manually operated, slide-type, 2-position, 3-way valve. In the closed position, downstream air is exhausted to atmosphere. The valve slide can be locked in the closed position with a customer supplied padlock. The V18 / V28 safety lockout valves conform to OSHA #29 CFR part 1910 – control of hazardous energy source (lockout / tagout).

Specifications

Flow Capacity*	V18	1/4	141 SCFM (66.5 dm ³ /s)
		3/8	216 SCFM (101.9 dm ³ /s)
		1/2	272 SCFM (128.4 dm ³ /s)
	V28	3/8	208 SCFM (98.2 dm ³ /s)
		1/2	290 SCFM (136.9 dm ³ /s)
		3/4	300 SCFM (141.6 dm ³ /s)
Exhaust Flow	V18	3/8	Cv = 1.03
	V28	1/2	Cv = 1.05
Maximum Supply Pressure	150 PSIG (10.3 bar)		
Operating Temperature	32° to 150°F (0° to 65.5°C)		
Port Size	NPT / BSPP-G	V18	1/4, 3/8, 1/2
		V28	3/8, 1/2, 3/4
Weight	lb. (kg)	V18	.74 (.34)
		V28	.90 (.41)

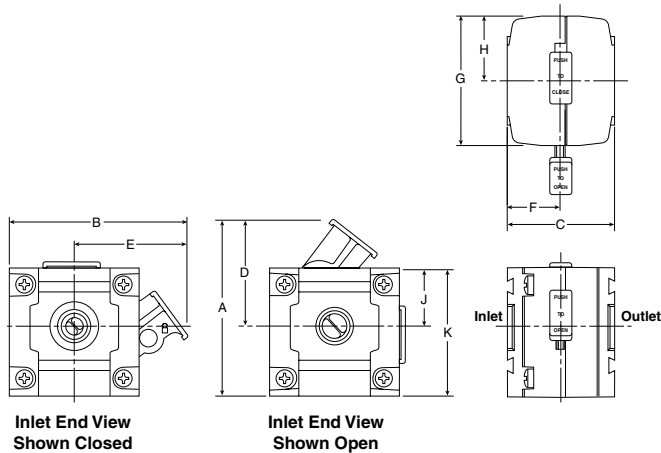
* Inlet pressure 150 PSIG (10.3 bar). Pressure drop 5 PSID (0.3 bar).

Materials of Construction

Blade	Acetal
Body	Zinc
Seals	Nitrile

Replacement Kits

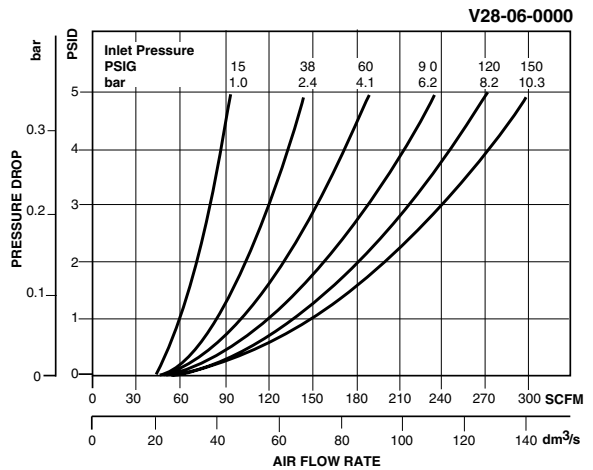
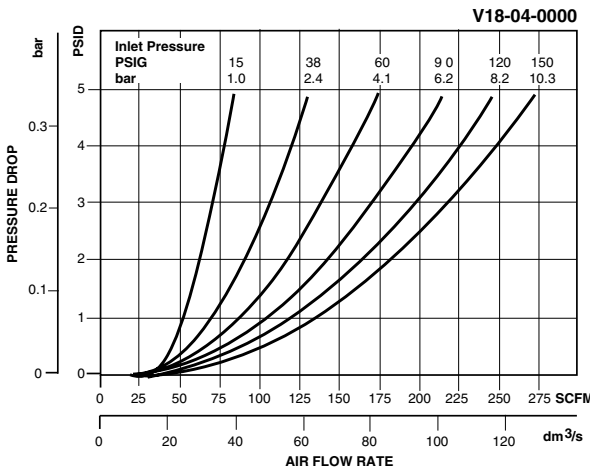
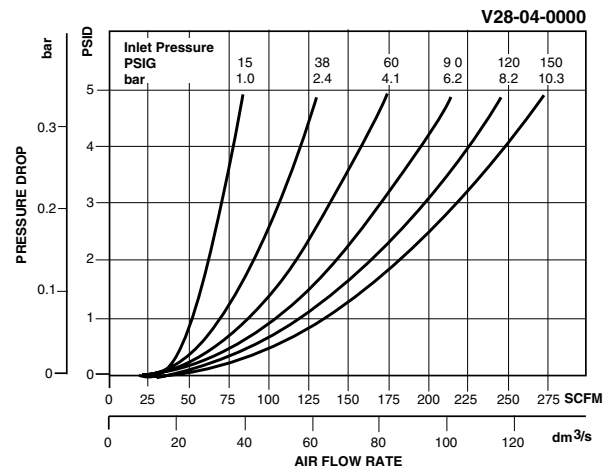
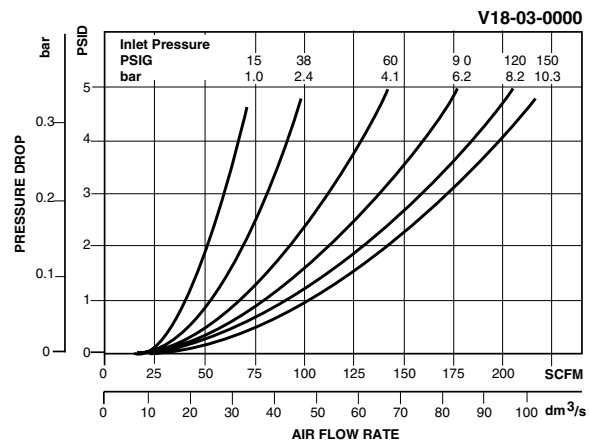
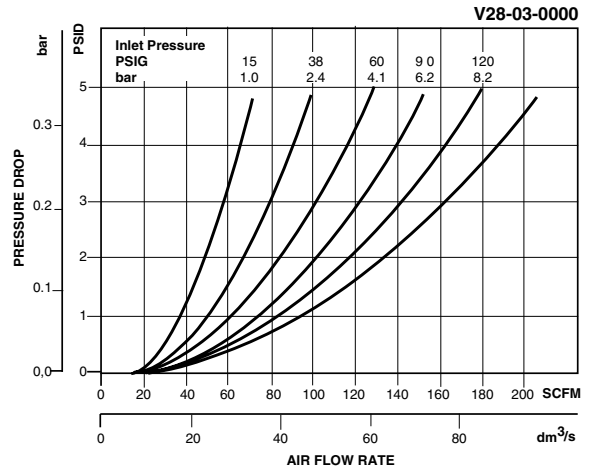
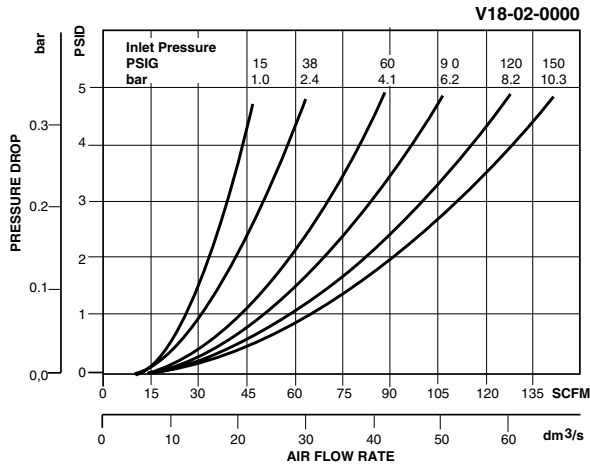
- Plastic Slide And O-rings, (Orange) (V18) VRP-96-925
- Plastic Slide And O-rings, (Orange) (V28)..... VRP-96-926



Dimensions

Models	Inches (mm)	A	B	C	D	E	F	G	H	J	K
Standard Unit V18-XX-0000		3.16 (80)	3.19 (81)	1.93 (49)	1.91 (48.5)	2.02 (51)	0.97 (24.5)	2.36 (60)	1.18 (30)	1.03 (26)	2.28 (58)
Standard Unit V28-XX-0000		3.23 (82)	3.41 (86)	2.28 (58)	1.98 (50)	2.13 (54)	1.14 (28)	2.58 (65)	1.29 (33)	1.03 (26)	2.28 (58)

= "Most Popular"



Ordering Information

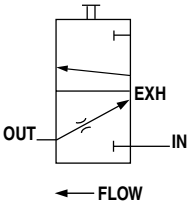
Model Type	Port Size	Safety Lockout Valve
V18	1/4	V18-02-0000
	3/8	V18-03-0000
	1/2	V18-04-0000
V28	3/8	V28-03-0000
	1/2	V28-04-0000
	3/4	V28-06-0000

Options - To order an option supplied with the unit model, add the appropriate coded suffix letter in the designated position of the model number.



Safety Lockout Valve

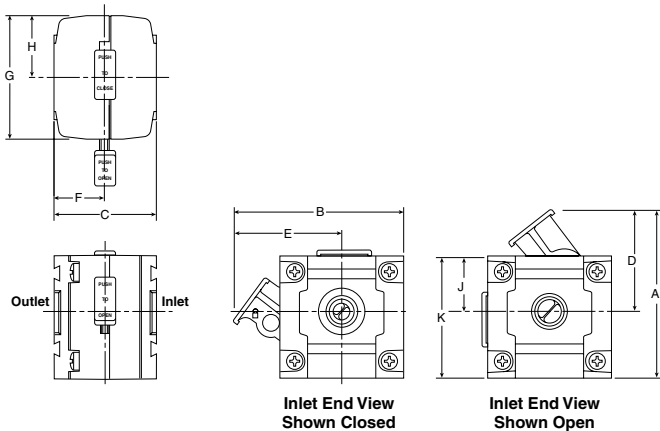
V19 / V29



V19-02-0000
Right to Left Flow
(Yellow Slide)

Features

The V19 / V29 safety lockout valve is a manually operated, slide-type, 2-position, 3-way valve. In the closed position, downstream air is exhausted to atmosphere. The valve slide can be locked in the closed position with a customer supplied padlock. The V19 / V29 safety lockout valves have yellow slides and are for use in right-to-left flow applications. The V19 / V29 valves conform to OSHA #29 CFR part 1910 – control of hazardous energy source (lockout / tagout).



Dimensions

Models	Inches (mm)	A	B	C	D	E	F	G	H	J	K
Standard Unit V19-XX-0000		3.16 (80)	3.19 (80)	1.93 (81)	1.91 (49)	2.02 (51)	0.97 (24.5)	2.36 (60)	1.18 (30)	1.03 (26)	2.28 (58)
Standard Unit V29-XX-0000		3.23 (82)	3.41 (86)	2.28 (58)	1.98 (50)	2.13 (54)	1.14 (28)	2.58 (65)	1.29 (33)	1.03 (26)	2.28 (58)

= "Most Popular"

Specifications

Flow Capacity*	V19	1/4	141 SCFM (65.5 dm ³ /s)
		3/8	216 SCFM (101.9 dm ³ /s)
		1/2	272 SCFM (128.4 dm ³ /s)
	V29	3/8	208 SCFM (98.2 dm ³ /s)
		1/2	290 SCFM (136.9 dm ³ /s)
		3/4	300 SCFM (141.6 dm ³ /s)
Exhaust Flow	V19	3/8	Cv = 1.03
	V29	1/2	Cv = 1.05
Maximum Supply Pressure	150 PSIG (10.3 bar)		
Operating Temperature	32° to 150°F (0° to 65.5°C)		
Port Size	NPT / BSPP-G	V19	1/4, 3/8, 1/2
		V29	3/8, 1/2, 3/4
Weight	lb. (kg)	V19	.74 (.34)
		V29	.90 (.41)


* Inlet pressure 150 PSIG (10,3 bar). Pressure drop 5 PSID) (0,3 bar).

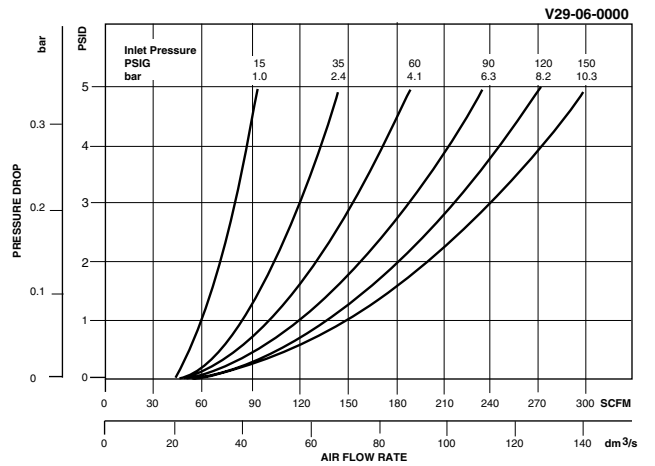
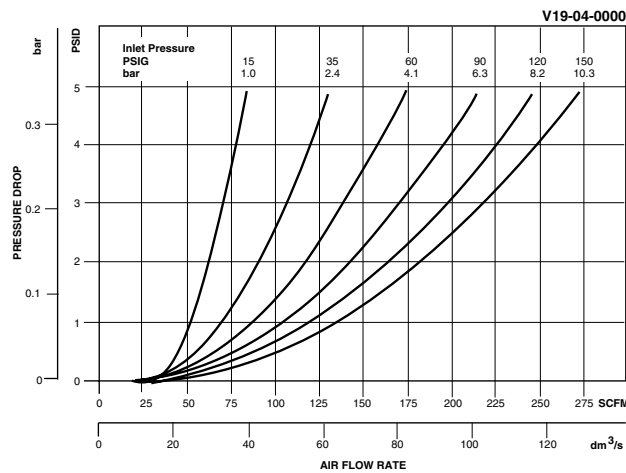
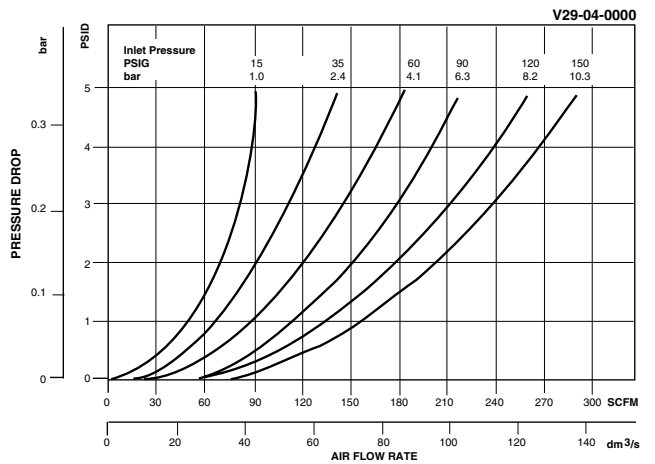
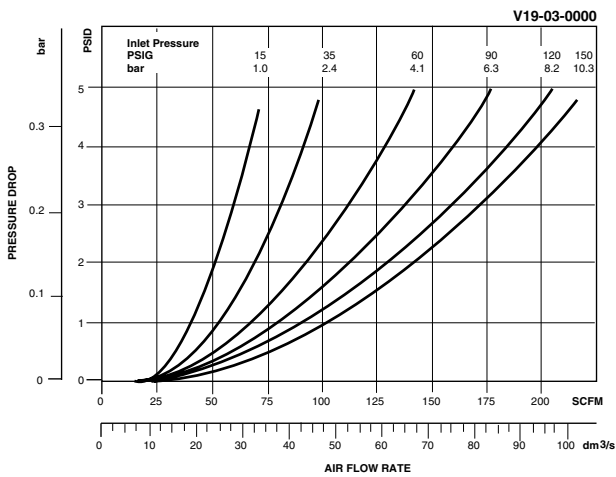
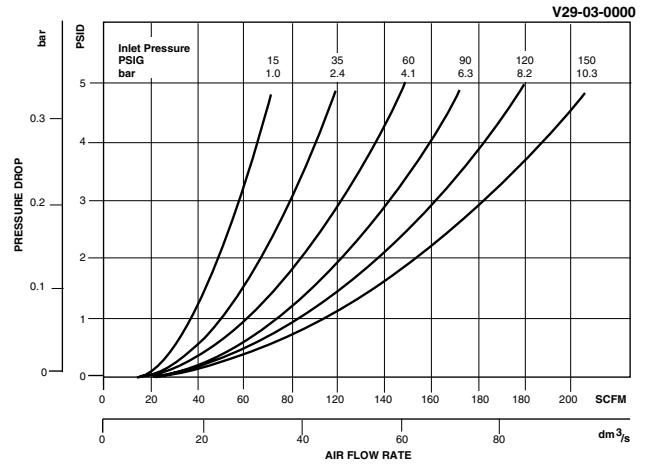
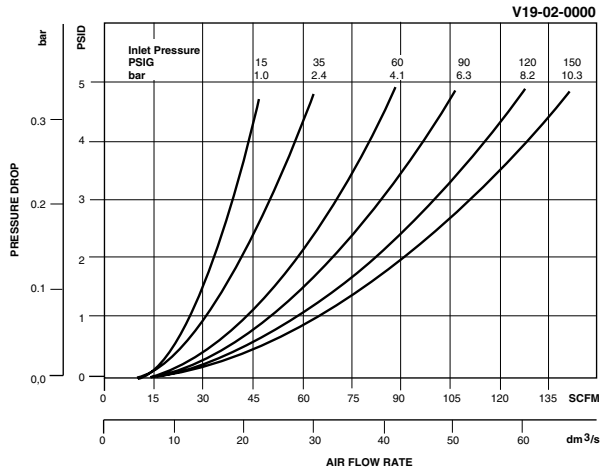
Materials of Construction

Blade	Acetal
Body	Zinc
Seals	Nitrile

Replacement Kits

Plastic Slide And O-rings, (Yellow) (V19).....	VRP-97-100
Plastic Slide And O-rings, (Yellow) (V29).....	VRP-97-101

 = "Most Popular"



Ordering Information

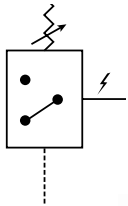
Model Type	Port Size	Safety Lockout Valve
V19	1/4	V19-02-0000
	3/8	V19-03-0000
	1/2	V19-04-0000
V29	3/8	V29-03-0000
	1/2	V29-04-0000
	3/4	V29-06-0000

Options - To order an option supplied with the unit model, add the appropriate coded suffix letter in the designated position of the model number.

Notes

Pressure Switch X07

 = "Most Popular"



X07-01-000

Specifications

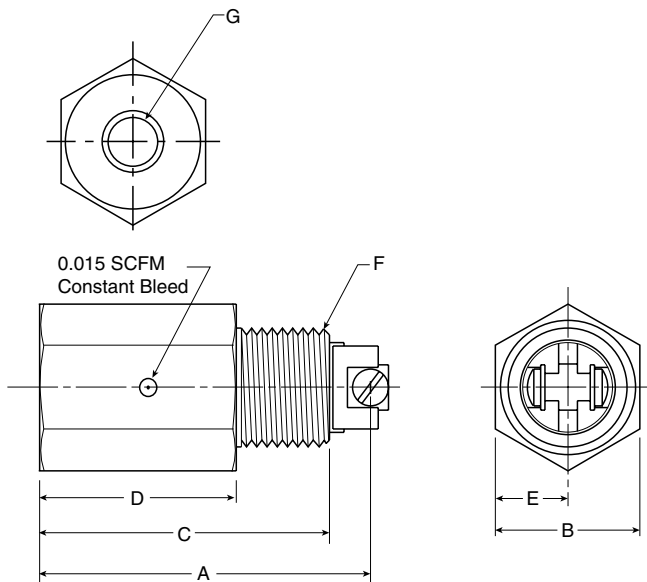
Electrical	125v, 3A	
Maximum Supply Pressure	250 PSIG (17.2 bar)	
Operating Temperature	32° to 150°F (0° to 66°C)	
Port Size	NPT / BSPP-G	1/8
Weight	lb. (kg)	.18 (0.08)

Materials of Construction

Body	Aluminum
Spool	Plastic
Springs	Steel

X07 Pressure Switch

This product consists of a "plunger" type normally open electrical switch mounted in an aluminum housing. It can be used to convert an air signal to an electrical signal from any source whose supply pressure is 10 PSIG or greater. The compressed air port is 1/8" NPT female and the conduit connection is 1/2" male. The switch is 125 volt, 3 amp single-pole, single-throw, and is equipped with screw-type electrical terminals. The switch automatically resets when air pressure decays to approximately 5 PSIG.

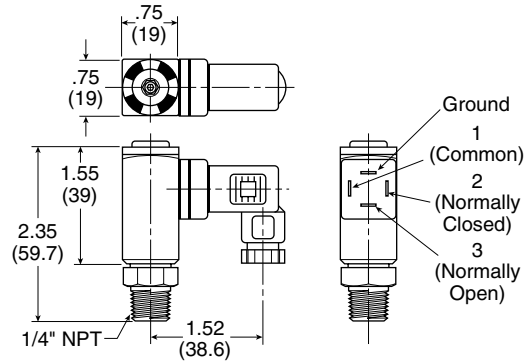
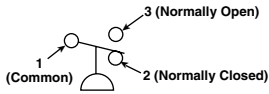


Dimensions

Models	Inches (mm)	A	B	C	D	E	F	G
Standard Unit X07-01-000		2.29 (58)	1.00 (25)	2.00 (51)	1.36 (34.5)	0.50 (13)	0.50 (13)	0.1 (3)

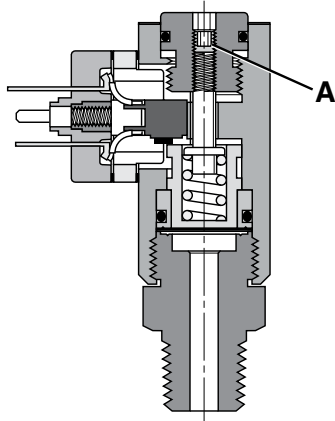


Pressure Switch P01909



Features:

- Inline Mounting
- Dial Indicator for Easy Pressure Setting
- 5 Amp Rated Snap Action Micro Switch
- Heavy Duty Aluminum Components
- Compact Size
- Din 43650HCM Connector
- IP65 Rated
- Field Adjustable 30-150 PSIG
- +/- 2% Repeatability
- Single Pole / Double Throw Switch



Operation

The pressure switch monitors the air pressure in your pneumatic system. When the pressure in your system either drops below or exceeds the set point pressure, an electrical output is given.

Using a .125" (3mm) hex wrench, turn the adjusting screw **(A)** clockwise to increase the pressure set point and counterclockwise to decrease the pressure setting. One complete revolution of the adjusting screw covers the complete adjustment range of 30-150 PSIG (2-10 bar).

Definitions and Terminology

Repeatability — Accuracy is the maximum allowable set point deviation of a single pressure or temperature switch under one given set of environmental and operational conditions.

Single Pole Double Throw (SPDT) Switching element — A SPDT switching element has one normally open, one normally closed and one common terminal. Three terminals mean that the switch can be wired with the circuit either normally open (NO), or normally closed (NC), or both.

Dead Band — The dead band, sometimes referred to as “differential” or “hysteresis”, is the change in pressure between actuation and deactuation set points.

Kits and Accessories

- Bushing 1/4" to 3/8" 209P-6-4
- Bushing 1/4" to 1/2" 209P-8-4

Specifications

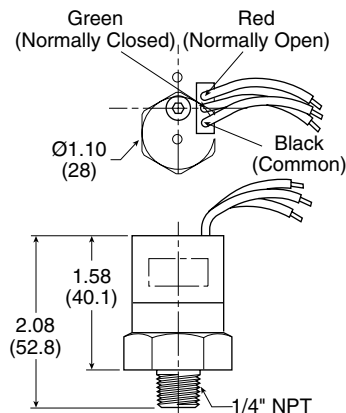
- Electrical 5 AMP, 12/24VDC, 125/250VAC
- Electrical Connection DIN 43650HCM
- Maximum Inlet Pressure 300 PSIG (20 bar)

- Electrical Protection IP65
- Mechanical Life 10⁶ at standard operating conditions
- Repeatability ±2% at 70°F (20°C) Ambient
- Temperature Range -40° to 180°F (-40° to 80°C)
- Weight 0.13 lb. (0.06 Kg)

Materials of Construction

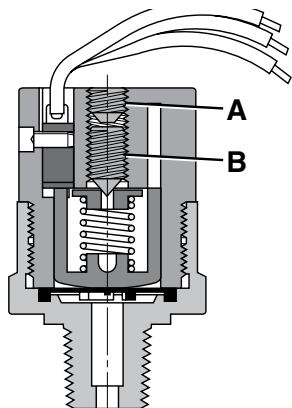
- Diaphragm Nitrile
- Housing Anodized Aluminum

Pressure Switch P01908



Features:

- Inline Mounting
- 5 Amp Rated Snap Action Micro Switch
- Brass Body
- Compact Size
- Flying Leads Electrical Connection
- IP65 Rated
- Field Adjustable 25-100 PSIG
- +/- 2% Repeatability
- Single Pole / Double Throw Switch



Operation

The pressure switch monitors the air pressure in your pneumatic system. When the pressure in your system either drops below or exceeds the set point pressure, an electrical output is given.

Remove screw **(A)** from the top of the switch. Using a .125" (3mm) hex wrench, turn the adjusting screw **(B)** clockwise to increase the pressure set point and counterclockwise to decrease the pressure setting, replace screw **(A)**. Adjustment range of 25 to 100 PSIG (.7 to 7.5 bar).

Standard Electrical Circuit

- Black Common
- Green Normally Closed
- Red Normally Open

Definitions and Terminology

Repeatability — Accuracy is the maximum allowable set point deviation of a single pressure or temperature switch under one given set of environmental and operational conditions.

Single Pole Double Throw (SPDT) Switching element — A SPDT switching element has one normally open, one normally closed and one common terminal. Three terminals mean that the switch can be wired with the circuit either normally open (NO), or normally closed (NC), or both.

Dead Band — The dead band, sometimes referred to as “differential” or “hysteresis”, is the change in pressure between actuation and deactuation set points.

Kits and Accessories

- Bushing 1/4" to 3/8" 209P-6-4
- Bushing 1/4" to 1/2" 209P-8-4

Specifications

- Electrical 5 AMP, 12/24VDC, 125/250VAC
- Electrical Connection 18" Flying Leads
- Maximum Inlet Pressure 300 PSIG (20 bar)

- Electrical Protection IP65
- Mechanical Life 2x10⁶ at 75 PSIG (5 bar)
- Repeatability ±2% at 70°F (20°C) Ambient
- Temperature Range -40° to 180°F (-40° to 80°C)
- Weight 0.23 lb. (0.11 Kg)

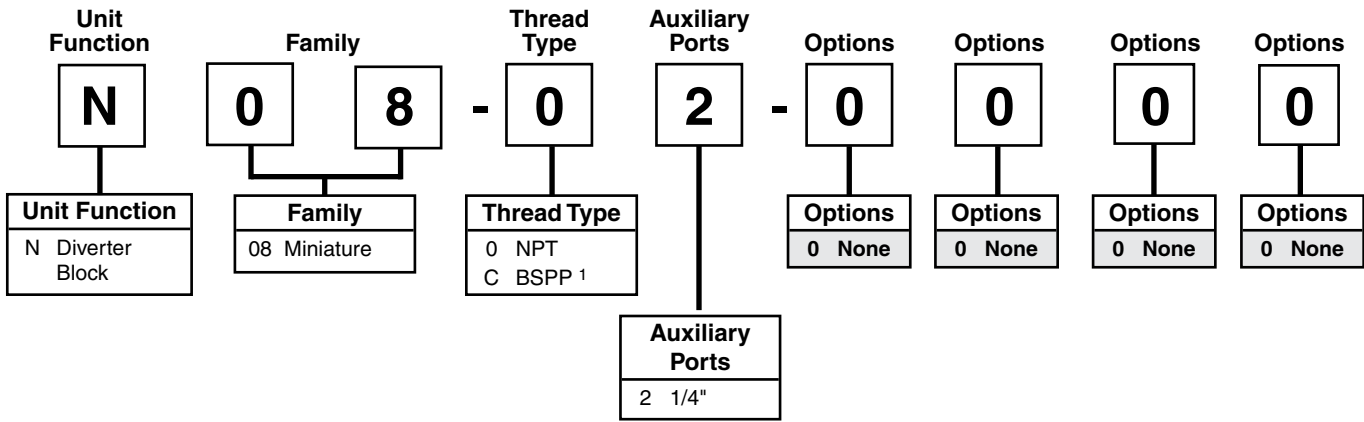
Materials of Construction

- Diaphragm Nitrile
- Housing Brass



08 Series Diverter Block Numbering System

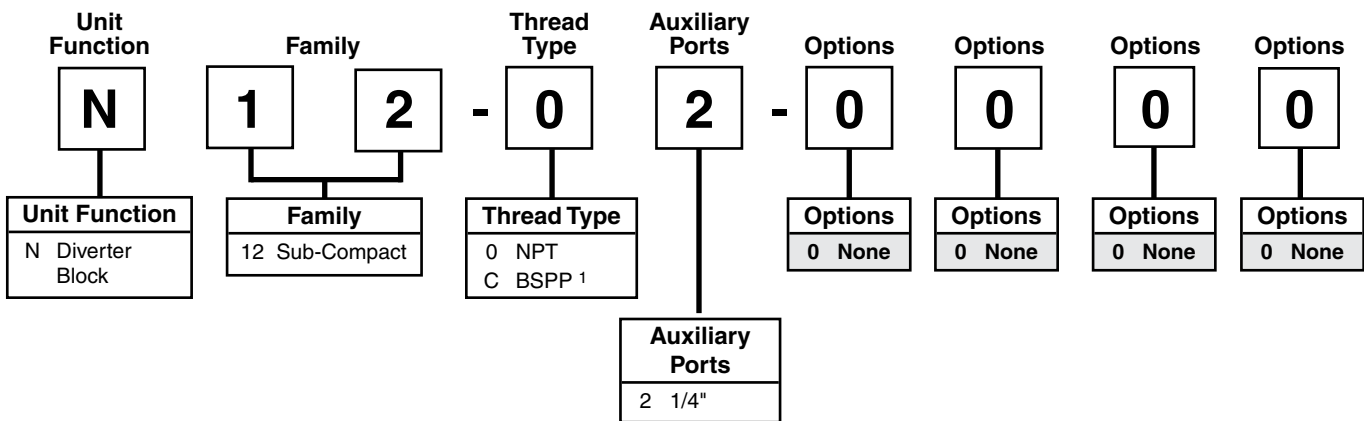
= "Most Popular"



¹ ISO, R228 (G Series)

12 Series Diverter Block Numbering System

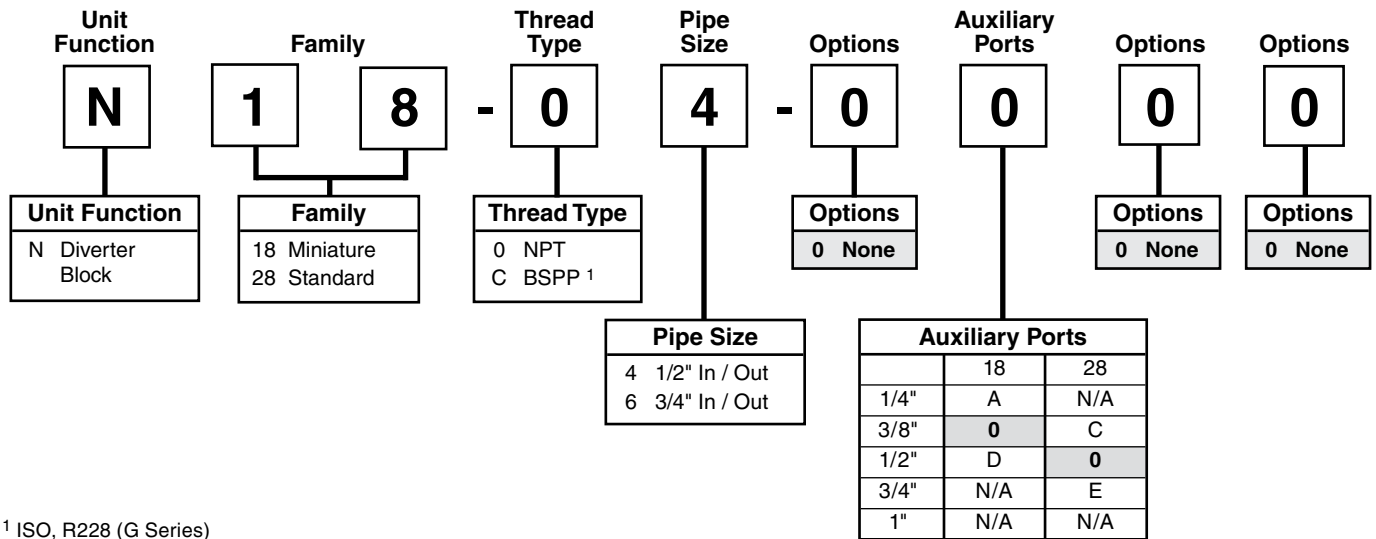
= "Most Popular"



¹ ISO, R228 (G Series)

18 / 28 Series Diverter Block Numbering System

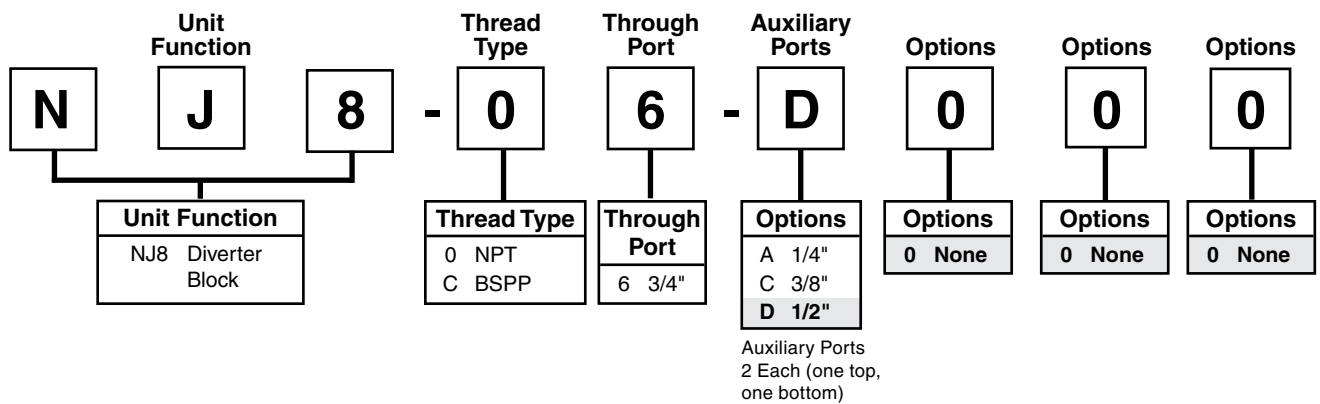
 = "Most Popular"



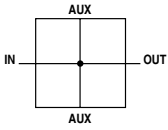
¹ ISO, R228 (G Series)

NJ8 Diverter Block Numbering System

 = "Most Popular"



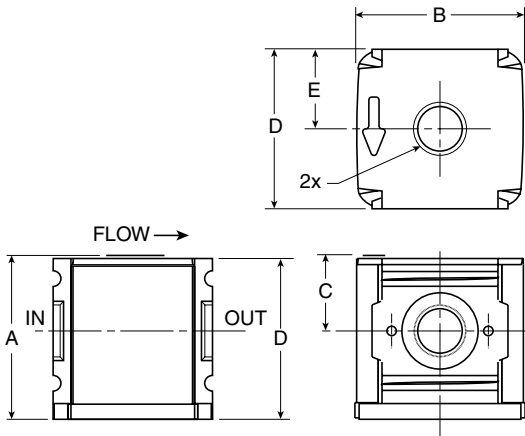
Diverter Block N08



N08-02-0000

Features

- Available in 1/4 Threaded Ports
- Modern Design and Appearance
- Light Weight
- Two 1/4 Threaded Auxiliary Ports Standard
- Two Additional Auxiliary Ports Optional
- Can be Mounted Anywhere in the FRL System
- Includes One Pipe Plug



= "Most Popular"

Specifications

Flow Capacity*	1/4	140 SCFM (66.1 dm ³ /s)
Auxiliary Port (2)	NPT / BSPP-G	1/4
Maximum Supply Pressure		300 PSIG (20.7 bar)
Operating Temperature		32° to 150°F (0° to 65.5°C)
Port Size (In / Out)	NPT / BSPP-G	1/4
Weight	lb. (kg)	.42 (0.19)

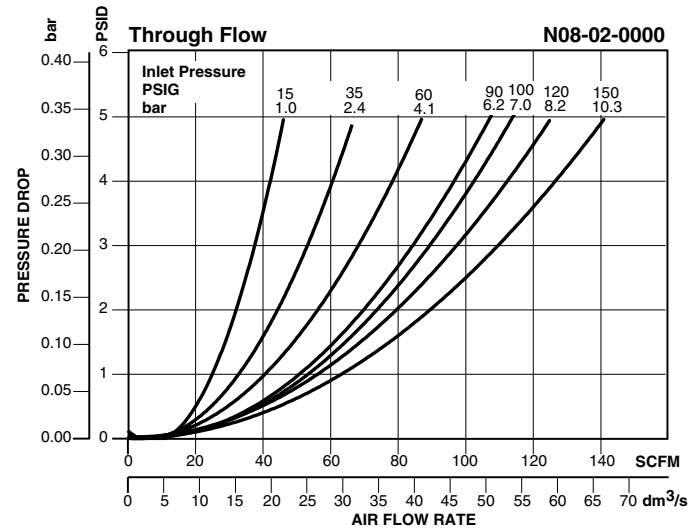
* Inlet pressure 150 PSIG (10.3 bar). Pressure drop 5 PSID (0.3 bar).

Materials of Construction

Body	Zinc
------	------

Dimensions

Models	Inches (mm)	A	B	C	D	E
Standard Unit N08-02-0000		1.61 (41)	1.66 (42)	0.74 (19)	1.58 (40)	0.79 (20)

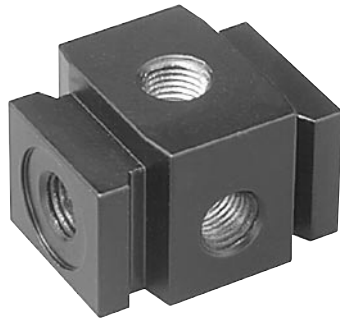
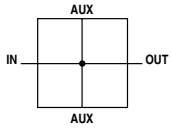


Ordering Information

Model Type	In / Out Port Size	Auxiliary Port Size	Model
N08	1/4	1/4	N08-02-0000

Options - To order an option supplied with the unit model, add the appropriate coded suffix letter in the designated position of the model number.

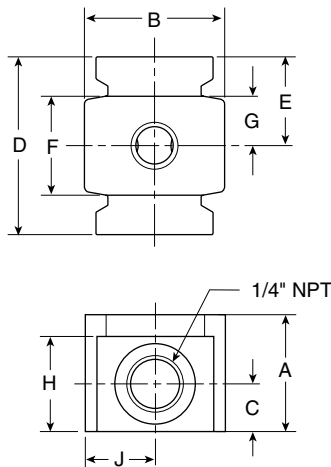
Diverter Block N12



N12-02-0000

Features

- Available in 1/4 Threaded Ports
- Modern Design and Appearance
- Light Weight
- Two 1/4 Threaded Auxiliary Ports Standard
- Two Additional Auxiliary Ports Optional
- Can be Mounted Anywhere in the FRL System



Dimensions

Models	Inches (mm)	A	B	C	D	E	F	G	H	J
Standard Unit N12-02-0000		1.38 (35)	1.65 (42)	0.56 (14)	2.09 (52)	1.06 (27)	1.17 (30)	.58 (15)	1.13 (29)	.83 (21)

Ordering Information

Model Type	In / Out Port Size	Auxiliary Port Size	Model
N12	1/4	1/4	N12-02-0000

Options - To order an option supplied with the unit model, add the appropriate coded suffix letter in the designated position of the model number.

Specifications

Auxiliary Port (2)	NPT / BSPP-G	1/4
Maximum Supply Pressure	300 PSIG (20.7 bar)	
Operating Temperature	32° to 150°F (0° to 65.5°C)	
Port Size (In / Out)	NPT / BSPP-G	1/4
Weight	lb. (kg)	.42 (0.19)

* Inlet pressure 150 PSIG (10.3 bar). Pressure drop 5 PSID (0.3 bar).

Materials of Construction

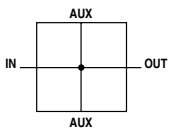
Body	Aluminum
------	----------

C

Diverter Block

N18 / N28

 = "Most Popular"



N18-04-0000

Specifications

Flow Capacity*	N18	1/2	400 SCFM (189 dm ³ /s)
	N28	3/4	647 SCFM (305 dm ³ /s)
Auxiliary Port (2)	NPT / BSPP-G	N18	3/8
		N28	1/2
Maximum Supply Pressure	300 PSIG (20.7 bar)		
Operating Temperature	32° to 150°F (0° to 65.5°C)		
Port Size (In / Out)	NPT / BSPP-G	N18	1/2
		N28	3/4
Weight	lb. (kg)	N18	.261 (.346)
		N28	.94 (1.08)

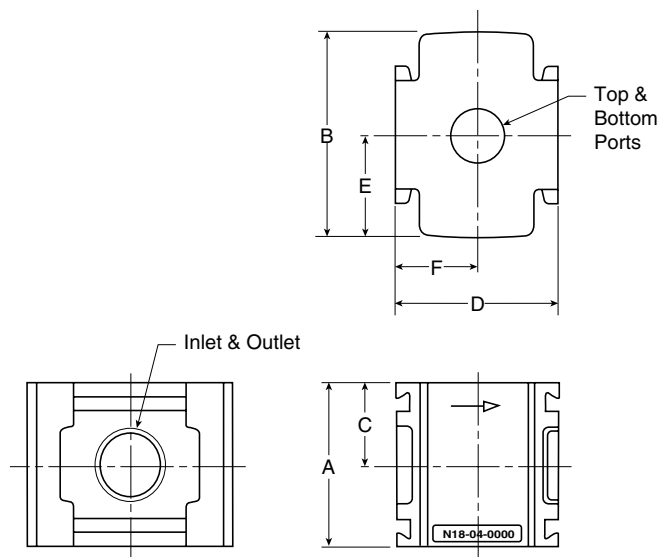
* Inlet pressure 150 PSIG (10.3 bar). Pressure drop 5 PSID (0.3 bar).

Materials of Construction

Body	Aluminum
------	----------

Features

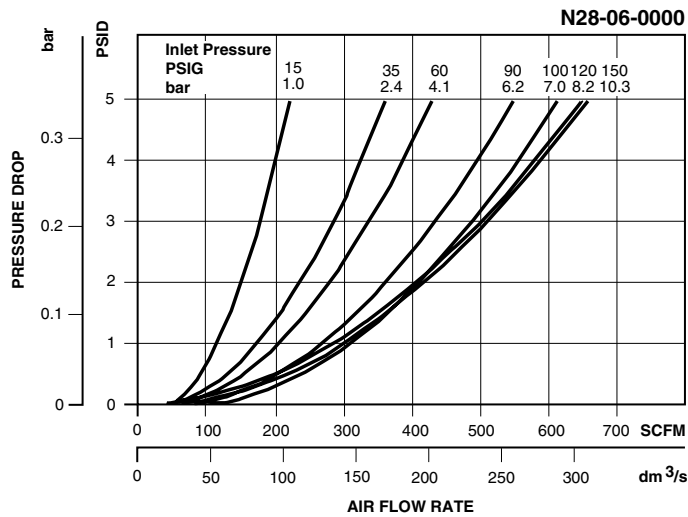
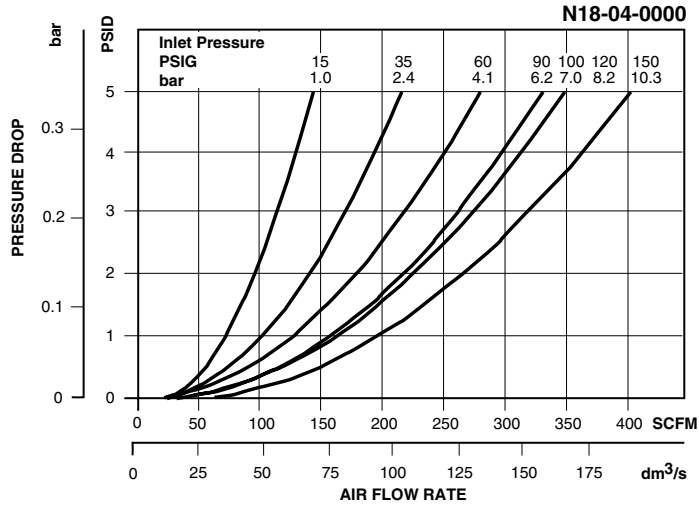
- Available in 1/2 (N18) or 3/4 (N28) Threaded Ports
- Two Auxiliary Ports Standard
- Can be Mounted Anywhere in the FRL System



Dimensions

Models	Inches (mm)	A	B	C	D	E	F
Standard Unit N18-XX-0000		1.88 (48)	2.36 (60)	0.94 (24)	1.88 (48)	1.18 (30)	0.94 (24)
Standard Unit N28-XX-0000		1.88 (48)	2.88 (73)	0.94 (24)	2.60 (66)	1.44 (36.5)	1.30 (33)

= "Most Popular"



Ordering Information

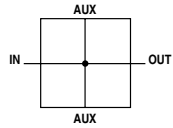
Model Type	In / Out Port Size	Auxiliary Port Size	Model
N18	1/2	1/4	N18-04-0A00
		3/8	N18-04-0000
		1/2	N18-04-0D00
N28	3/4	3/8	N28-06-0C00
		1/2	N28-06-0000
		3/4	N28-06-0E00

Options - To order an option supplied with the unit model, add the appropriate coded suffix letter in the designated position of the model number.



Diverter Block NJ8

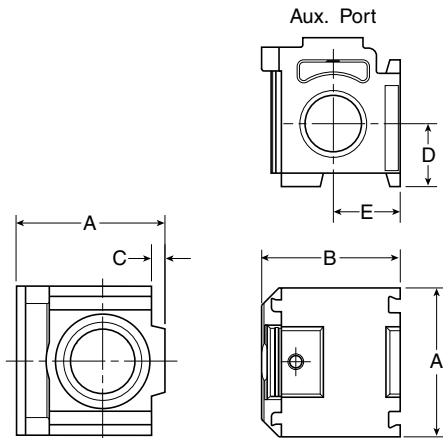
 = "Most Popular"



NJ8-06-D000

Features

- Eliminates One Joiner Set
- Space-Saving Design.
- Can be Wall Mounted with T-Bracket
- Includes O-ring, One Pipe Plug and Joiner Clamp
- A000 Models Will Accept an Electronic Pressure Switch
- Can Assemble Multiple Units to Form a Manifold
- Auxiliary Ports Top and Bottom



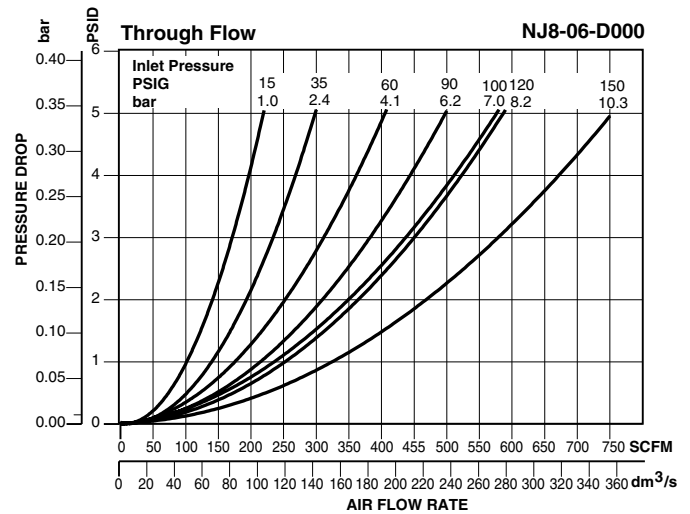
Specifications

Flow Capacity*	(Model D000)	750 SCFM (354 dm ³ /s)
Auxiliary Port (2)	NPT / BSPP-G	1/4, 3/8, 1/2
Maximum Supply Pressure		300 PSIG (20.7 bar)
Operating Temperature		32° to 150°F (0° to 65.5°C)
Port Size (Out Only)	NPT / BSPP-G	3/4
Weight	lb. (kg)	.74 (0.34)

* Inlet pressure 150 PSIG (10.3 bar). Pressure drop 5 PSID (0.3 bar).

Materials of Construction

Body	Zinc
------	------



Dimensions

Models	Inches (mm)	A	B	C	D	E
Standard Unit NJ8-X6-X000		1.88 (48)	1.75 (44)	0.17 (4)	0.80 (20)	0.85 (22)

Ordering Information

Model Type	Out Port Size	Auxiliary Port Size	Model
NJ8	3/4	1/4	NJ8-06-A000
		3/8	NJ8-06-C000
		1/2	NJ8-06-D000

Options - To order an option supplied with the unit model, add the appropriate coded suffix letter in the designated position of the model number.

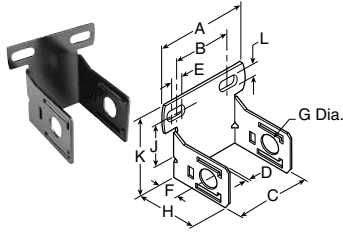


Modular Accessories and Repair Kits

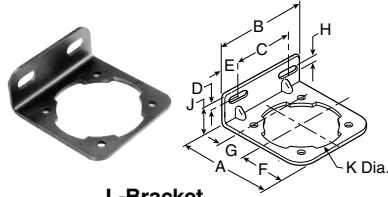
D

Filter Accessories	2
Regulator Accessories	4
Lubricator Accessories	6
Filter / Regulator Accessories	8
08 Series Accessories	11
12 Series Accessories	12
18 / 28 Series Accessories	13
39 Series Accessories	14

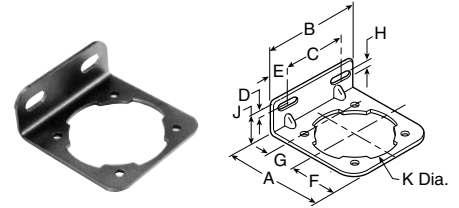
Accessories – Filters



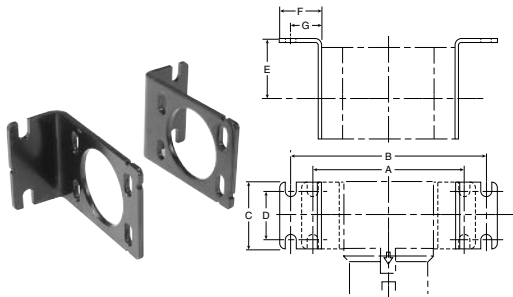
**C-Bracket
GPA-97-010**



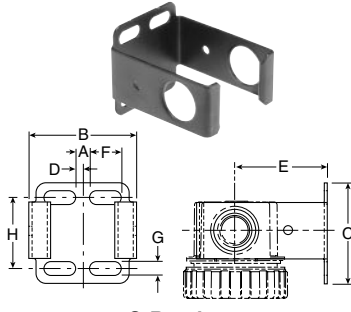
**L-Bracket
GPA-96-604**



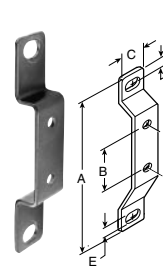
**L-Bracket
GPA-96-605**



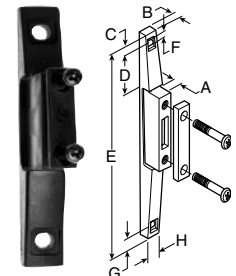
**L-Bracket
P3NKA00MW**



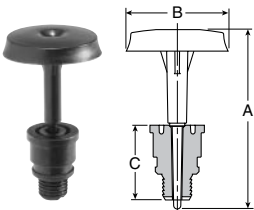
**C-Bracket
GPA-96-300**



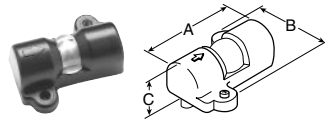
**T-Bracket
GPA-96-602**



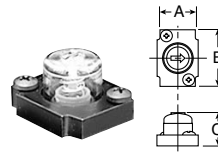
**T-Bracket
GPA-96-737
w/ Joiner**



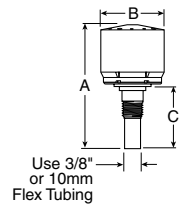
**Piston Drain
GRP-96-716**



**Differential Pressure
Indicator
DP8-01-000**



**Differential Pressure
Indicator
FRP-96-300**



**Automatic Drain
GRP-95-973, GRP-95-981**

Dimensions Inches (mm)

Accessories	Part Number	Used On	A	B	C	D	E	F	G	H	J	K	L
Piston Drain	GRP-96-716	F08, M08, B08	1.70 (43)	.94 (24)	.68 (17)	—	—	—	—	—	—	—	—
C-Bracket	GPA-97-010	F08, M08, B08	2.67 (68)	1.73 (44)	1.57 (40)	.07 (1.8)	.39 (9.9)	1.57 (40)	.78 (20)	2.32 (59)	1.37 (35)	2.41 (61)	.26 (6.6)
	GPA-96-300	F12, M12	.28 (7)	2.12 (54)	2.00 (51)	.14 (4)	1.85 (47)	.63 (16)	.28 (7)	1.41 (36)	—	—	—
L-Bracket	GPA-96-604	F18, M18, B18	2.84 (72)	2.74 (69.5)	1.66 (42)	.38 (9.6)	.54 (14)	1.26 (32)	.88 (22)	.28 (7.1)	1.10 (28)	2.25 (57)	—
	GPA-96-605	F28, M28, B28	3.44 (87)	3.00 (76)	1.88 (48)	.38 (9.6)	.56 (14)	1.49 (38)	1.10 (28)	.28 (7.1)	1.10 (28)	2.66 (67.5)	—
	P3NKA00MW	F39, B39	6.22 (158)	8.19 (208)	2.75 (70)	1.97 (50)	2.36 (60)	1.77 (45)	1.30 (33)	—	—	—	—
T-Bracket	GPA-96-602	F18, F28, M18, M28	3.75 (95)	1.25 (32)	.76 (19.3)	.25 (6.3)	.28 (7.1)	—	—	—	—	—	—
T-Bracket w/ Joiner	GPA-96-737	F08, M08	.45 (11)	.28 (7.1)	.40 (10)	.67 (17)	3.97 (100.8)	.22 (5.6)	.40 (10)	.64 (16)	—	—	—
Replacement Differential Pressure Indicator	DP8-01-000	F18, F28, M18, M28	2.12 (54)	1.85 (47)	.84 (21)	—	—	—	—	—	—	—	—
	FRP-96-300	F12, M12	1.25 (31.8)	1.50 (38.1)	.94 (23.8)	—	—	—	—	—	—	—	—
Automatic Drains, Nitrile	GRP-95-973	F18, M18, B18	2.86 (72.6)	.38 (9.6)	1.42 (36)	—	—	—	—	—	—	—	—
Automatic Drains, Fluorocarbon	GRP-95-981	F28, M28, B28	—	—	—	—	—	—	—	—	—	—	—

Filter Replacement Repair Kits

 = "Most Popular"



Model	Plastic Bowl / Bowl Guard Manual Drain	Metal Bowl / Sight Gauge Manual Drain	Plastic Bowl / Bowl Guard Automatic Drain	Metal Bowl / Sight Gauge Automatic Drain	Plastic Bowl / Bowl Guard No Drain
Particulate Filter					
F08	GRP-96-712	GRP-96-714*	N/A	N/A	N/A
F12	GRP-96-347 w/ GRP-96-345	GRP-96-349	GRP-96-351** w/ GRP-96-345	GRP-96-352**	N/A
F18	GRP-96-634	GRP-96-636	GRP-96-635	GRP-96-637	GRP-96-638
F28	GRP-96-642	GRP-96-644	GRP-96-643	GRP-96-645	GRP-96-652
F39	N/A	P3NKA00BSM	N/A	P3NKA00BSA	N/A

* Metal bowl does not have sight gauge.

** 12 Series has Piston Style Drain.

Coalescing Filter					
M08	GRP-96-712	GRP-96-714*	N/A	N/A	N/A
M12	GRP-96-347 w/ GRP-96-345	GRP-96-349	GRP-96-351** w/ GRP-96-345	GRP-96-352**	N/A
M18	GRP-96-634	GRP-96-636	GRP-96-635	GRP-96-637	GRP-96-638
M28	GRP-96-642	GRP-96-644	GRP-96-643	GRP-96-645	GRP-96-652
M39	N/A	P3NKA00BSM	N/A	P3NKA00BSA	N/A

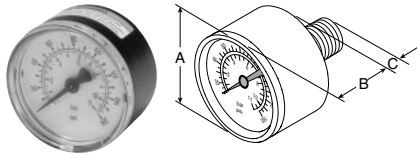
* Metal bowl does not have sight gauge.

** 12 Series has Piston Style Drain.

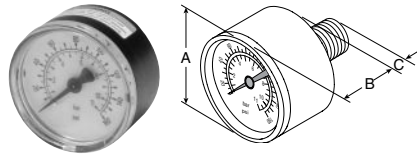
Model	Type A Filter Element 5 Micron	Bowl O-ring (Nitrile)	Bowl O-ring (Fluorocarbon)	Filter Retainer Element Baffle	Manual Drain
Particulate Filter					
F08	FRP-96-729	GRP-96-710	GRP-96-711	N/A	N/A
F12	GRP-96-344	N/A	N/A	N/A	GRP-96-340
F18	FRP-96-639	GRP-96-640	GRP-96-754	FRP-96-641	GRP-96-685
F28	FRP-96-653	GRP-96-654	GRP-96-755	FRP-96-283	GRP-96-685
F39	P3NKA00ESE	N/A	N/A	N/A	PS512
Coalescing Filter					
M08	N/A	GRP-96-710	GRP-96-711	N/A	N/A
M12	N/A	N/A	N/A	N/A	GRP-96-340
M18	N/A	GRP-96-640	GRP-96-754	N/A	GRP-96-685
M28	N/A	GRP-96-654	GRP-96-755	N/A	GRP-96-685
M30	N/A	N/A	N/A	N/A	PS-512
Coalescing Filter	Type-B Coalescing Element 0.5 Micron	Type C Coalescing Element 0.01 Micron		Type D Adsorption Element Activated Carbon	
M08	MSP-96-732	MTP-96-649		MXP-96-222	
M12	MRP-96-301	MRP-96-300		FRP-96-301*	
M18	MSP-96-647	MTP-96-646		MXP-96-650	
M28	MSP-96-649	MTP-96-648		MXP-96-651	
M39	P3NKA00ES9	P3NKA00ESC		N/A	

* For F12 Series Filters.

Accessories – Regulators



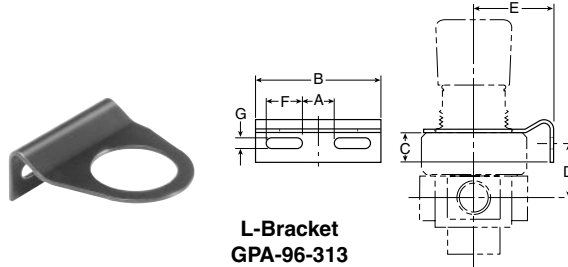
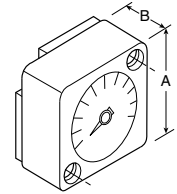
Gauge with 1/4 Port
12 / 18 / 28 / 39 Series



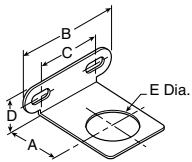
Gauge with 1/8 Port
08 Series



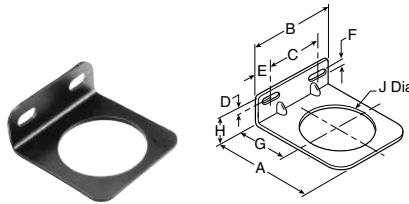
Flush Mount Gauge
08 Series



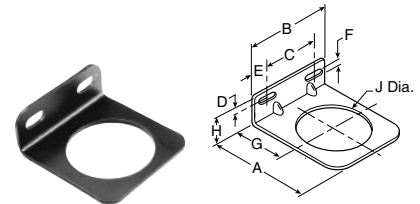
L-Bracket
GPA-96-313



L-Bracket
GRP-96-739



L-Bracket
GRP-96-606



L-Bracket
GRP-96-607

Dimensions Inches (mm)

Accessories		Used On	A	B	C	D	E	F	G	H	J
L-Bracket	GRP-96-739	R08, R09	1.57 (40)	2.68 (68)	1.74 (44)	.97 (25)	1.19 (30)	—	—	—	—
	GPA-96-313	R12	.84 (21)	2.59 (66)	.49 (12)	1.02 (26)	1.85 (47)	.61 (15)	.28 (7)	—	—
	GPA-96-606	R18, R19	2.74 (69.5)	2.74 (69.5)	1.66 (42)	.43 (11)	.54 (14)	.28 (7.1)	1.57 (40)	1.00 (25)	2.0 (51)
	GPA-96-607	R28	3.33 (84.5)	3.00 (76)	1.88 (48)	.43 (11)	.56 (14)	2.40 (61)	1.94 (49)	1.00 (25)	2.40 (61)
18 / 28 Series Gauges, 1/4 Port, CBM											
K4515N14030 (0 to 30 PSIG)		R12, R18, R28									
K4515N14060 (0 to 60 PSIG)		R12, R18, R28									
K4515N14160 (0 to 160 PSIG)		R12, R18, R28									
K4515N14300 (0 to 300 PSIG)		R12, R18, R28	1.64 (41.6)	1.09 (27.6)	.80 (20)	—	—	—	—	—	—
K4515G14030 (0 to 2.0 bar)		R18, R28									
K4515G14060 (0 to 4.2 bar)		R18, R28									
K4515G14160 (0 to 11 bar)		R18, R28									
K4515G14290 (0 to 20 bar)		R18, R28									
08 Series Gauges, 1/8 Port, CBM											
K4515N18160 (0 to 160 PSIG (0 to 11 bar)		R08	1.64 (41.6)	1.09 (27.6)	.80 (20)	—	—	—	—	—	—
K4515N18060 (0 to 60 PSIG) (0 to 4,1 bar)		R08									
Flush Mount Series Gauges											
K4511SCR150 (0 to 150 PSIG)		R08	1.06 (26.9)	.63 (16)	—	—	—	—	—	—	—
K4511SCR060 (0 to 60 PSIG)		R08									
K4511SCR11B (0 to 11 bar)		R08									

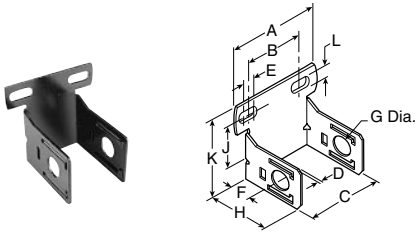
Regulator Replacement Kits

 = "Most Popular"

Model	Self-relieving Diaphragm (Nitrile)	Non-relieving Diaphragm (Nitrile)	Valve Assembly Kit	Tamper Resistant Ring	Plastic Panel Nut	Aluminum Panel Nut
R08, R09	GRP-96-725	GRP-96-726	RRP-96-727	RPA-96-735	RPA-96-734	RPA-96-733
R12	RRP-96-306	RRP-96-307	N/A	N/A	N/A	GPA-96-314
R18	RRP-96-656	RRP-96-657	RRP-96-658	RRP-96-671	RRP-96-675	RRP-96-673
R19	RRP-96-760	RRP-96-761	RRP-96-658	RRP-96-671	RRP-96-675	RRP-96-673
R28	RRP-96-986	RRP-96-987	RRP-96-049	RRP-96-672	RRP-96-676	RRP-96-674
Model	Main Regulating Spring 0-30 PSIG	Main Regulating Spring 0-60 PSIG	Main Regulating Spring 0-125 PSIG	Main Regulating Spring 0-250 PSIG		
R08, R09	GRP-95-111	GRP-96-718	GRP-96-717	N/A		
R12	RRP-96-303	RRP-96-302	RRP-96-301	N/A		
R18, R19	RRP-96-659	RRP-96-660	RRP-96-661	RRP-96-662		
R28	RRP-96-163	RRP-96-164	RRP-96-165	RRP-96-166		
R39	N/A	C10A1304	CA101308	CA101317		

D

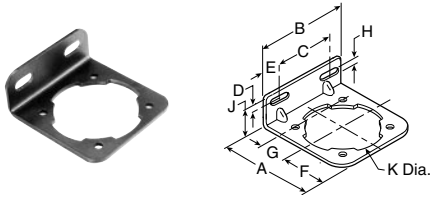
Accessories – Lubricators



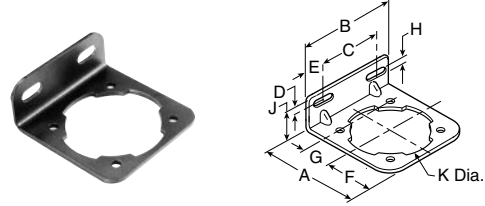
C-Bracket
GPA-97-010



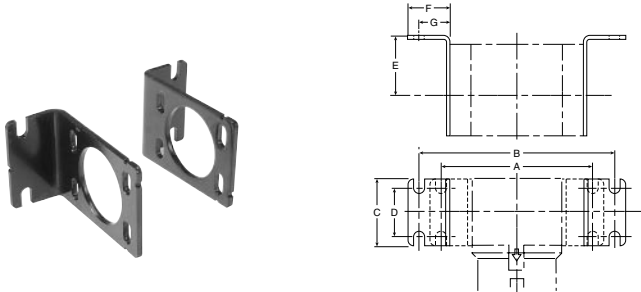
C-Bracket
GPA-96-300



L-Bracket
GPA-96-604



L-Bracket
GPA-96-605



L-Bracket
P3NKA00MW



F442 Oil
F442001 - 1 Quart Bottle
F442002 - 1 Gallon
F442005 - 4 Gallon Case

Dimensions Inches (mm)

Accessories	Part Number	Used On	A	B	C	D	E	F	G	H	J	K	L
C-Bracket	GPA-97-010	L08	2.67 (68)	1.73 (44)	1.57 (40)	.07 (1.8)	.39 (9.9)	1.57 (40)	.78 (20)	2.32 (59)	1.37 (35)	2.41 (61)	.26 (6.6)
	GPA-96-300	L12	.28 (7)	2.12 (54)	2.00 (51)	.14 (4)	1.85 (47)	.63 (16)	.28 (7)	1.41 (36)	—	—	—
L-Bracket	GPA-96-604	L18	2.84 (72)	2.74 (69.5)	1.66 (42)	.38 (9.6)	.54 (14)	1.26 (32)	.88 (22)	.28 (7.1)	1.10 (28)	2.25 (57)	—
	GPA-96-605	L28	3.44 (87)	3.00 (76)	1.88 (48)	.38 (9.6)	.56 (14)	1.49 (38)	1.10 (28)	.28 (7.1)	1.10 (28)	2.66 (67.5)	—
	P3NKA00MW	L39	6.22 (158)	8.19 (208)	2.75 (70)	1.97 (50)	2.36 (60)	1.77 (45)	1.30 (33)	—	—	—	—
Oil	F442001 – 1 Quart Bottle		—	—	—	—	—	—	—	—	—	—	—
	F442002 – 1 Gallon		—	—	—	—	—	—	—	—	—	—	—
	F442005 – 4 Gallon Case		—	—	—	—	—	—	—	—	—	—	—

Lubricator Replacement Kits

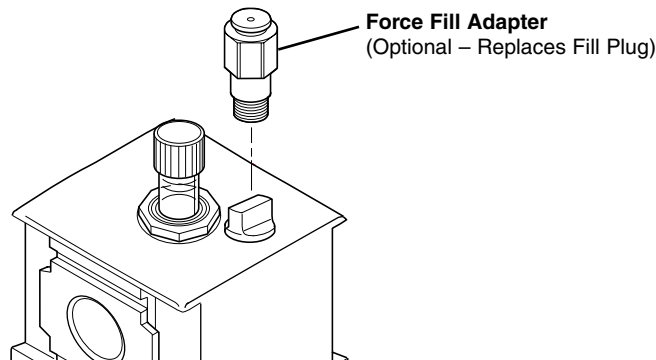
 = "Most Popular"



Model	Plastic Bowl / Bowl Guard / Manual Drain	Manual Drain	Metal Bowl / Sight Gauge / Manual Drain
L08	LRP-96-736	N/A	GRP-96-714*
L12	LRP-96-308** w/ GRP-96-345	GRP-96-340	LRP-96-306
L18	LRP-96-701	GRP-96-685	GRP-96-636
L28	LRP-96-702	GRP-96-685	GRP-96-644
L39	N/A	PS512	P3NKA00BSM

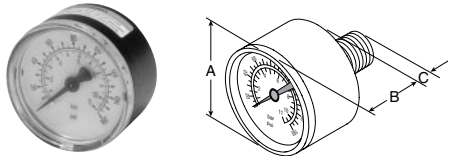
*Metal bowl does not have sight gauge. ** No Drain.

Model	Siphon Tube Assembly	Bowl O-ring (Nitrile)	Bowl O-ring (Fluorocarbon)	Force Fill Adapter	Fill Plug Kit (Fill Plug & O-ring)	Sight Dome Assembly
L08	LRP-96-731	GRP-96-710	GRP-96-711	N/A	LRP-96-730	LRP-96-301
L12	N/A	N/A	N/A	LRP-96-302	N/A	N/A
L18	LRP-96-677	GRP-96-640	GRP-96-754	LRP-96-704	LRP-96-679	LRP-96-310
L28	LRP-96-781	GRP-96-654	GRP-96-755	LRP-96-704	LRP-96-679	LRP-96-310
L39	N/A	N/A	N/A	P3NKA00PK	P3NKA00PL	PS740



D

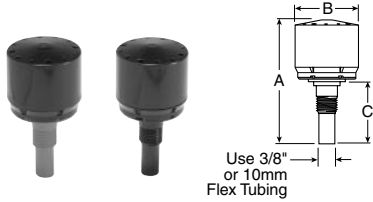
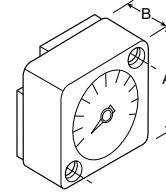
Accessories – Filter / Regulators



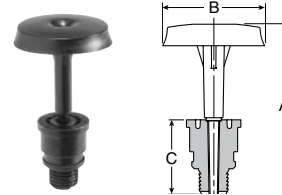
Gauge with 1/4 Port
12 / 18 / 28 / 39 Series



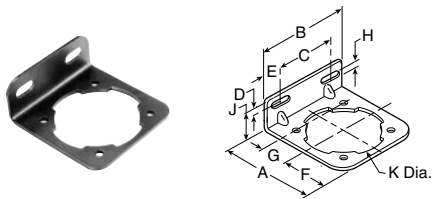
Flush Mount Gauge
08 Series



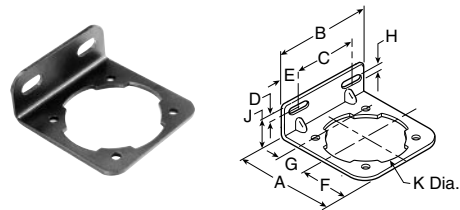
Automatic Drain
GRP-95-973, GRP-95-981



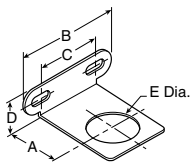
Piston Drain
GRP-96-716



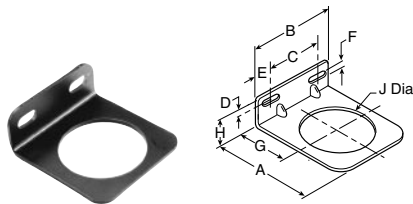
Body L-Bracket
GPA-96-604



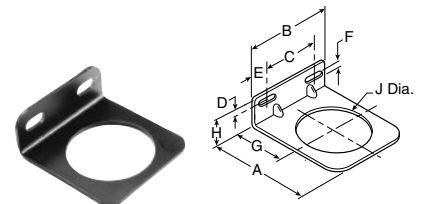
Body L-Bracket
GPA-96-605



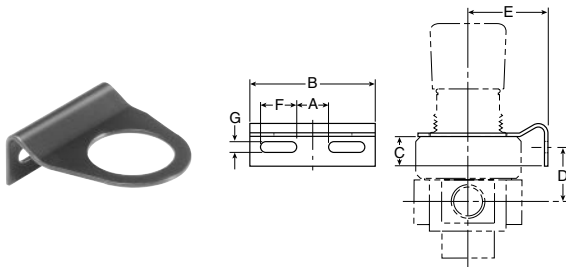
L-Bracket
GRP-96-739



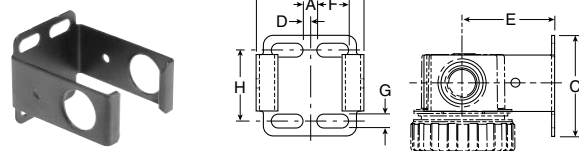
Bonnet L-Bracket
GRP-96-606



Bonnet L-Bracket
GRP-96-607

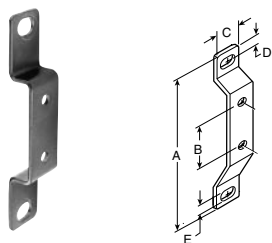


L-Bracket
GPA-96-313

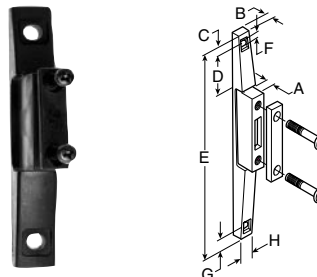


C-Bracket
GPA-96-300

Accessories – Filter / Regulators



**T-Bracket
GPA-96-602**



**T-Bracket
GPA-96-737
w/ Joiner**

Dimensions Inches (mm)

Accessories	Part Number	Used On	A	B	C	D	E	F	G	H	J	K	L
L-Bracket	GRP-96-739	B08	1.57 (40)	2.68 (68)	1.74 (44)	.97 (25)	1.19 (30)	—	—	—	—	—	—
	GPA-96-313	R12	.84 (21)	2.59 (66)	.49 (12)	1.02 (26)	1.85 (47)	.61 (15)	.28 (7)	—	—	—	—
	GPA-96-606	B18	2.74 (69.5)	2.74 (69.5)	1.66 (42)	.43 (11)	.54 (14)	.28 (7.1)	1.57 (40)	1.00 (25)	2.0 (51)	—	—
	GPA-96-607	B28	3.33 (84.5)	3.00 (76)	1.88 (48)	.43 (11)	.56 (14)	2.40 (61)	1.94 (49)	1.00 (25)	2.40 (61)	—	—
C-Bracket	GPA-97-010	B08	2.67 (68)	1.73 (44)	1.57 (40)	.07 (1.8)	.39 (9.9)	1.57 (40)	.78 (20)	2.32 (59)	1.37 (35)	2.41 (61)	.26 (6.6)
	GPA-96-300	B12	.28 (7)	2.12 (54)	2.00 (51)	.14 (4)	1.85 (47)	.63 (16)	.28 (7)	1.41 (36)	—	—	—
	GPA-96-604	B18	2.84 (72)	2.74 (69.5)	1.66 (42)	.38 (9.6)	.54 (14)	1.26 (32)	.88 (22)	.28 (7.1)	1.10 (28)	2.25 (57)	—
	GPA-96-605	B28	3.44 (87)	3.00 (76)	1.88 (48)	.38 (9.6)	.56 (14)	1.49 (38)	1.10 (28)	.28 (7.1)	1.10 (28)	2.66 (67.5)	—
T-Bracket	GPA-96-602	B08	3.75 (95)	1.25 (32)	.76 (19.3)	.25 (6.3)	.28 (7.1)	—	—	—	—	—	—
T-Bracket w/ Joiner	GPA-96-737	B18, B28	.45 (11)	.28 (7.1)	.40 (10)	.67 (17)	3.97 (100.8)	.22 (5.6)	.40 (10)	.64 (16)	—	—	—
Automatic Drains, Nitrile	GRP-95-973	B18, B28	2.93 (74.4)	1.47 (37.3)	1.17 (29.7)	—	—	—	—	—	—	—	—
Automatic Drains, Fluorocarbon	GRP-95-981	B18, B28	—	—	—	—	—	—	—	—	—	—	—
Piston Drain	GRP-96-716	B08	1.70 (43)	.94 (24)	.68 (17)	—	—	—	—	—	—	—	—
Flush Mount Series Gauges													
	K4511SCR150 (0 to 150 PSIG)	B08	1.06 (26.9)	.63 (16)	—	—	—	—	—	—	—	—	—
	K4511SCR060 (0 to 60 PSIG)	B08	—	—	—	—	—	—	—	—	—	—	—
	K4511SCR11B (0 to 11 bar)	B08	—	—	—	—	—	—	—	—	—	—	—
18 / 28 Series Gauges, 1/4 Port													
	K4515N14060 (0 to 60 PSIG)	B12, B18, B28	1.64 (41.6)	1.09 (27.6)	.80 (20)	—	—	—	—	—	—	—	—
	K4515N14160 (0 to 160 PSIG)	B12, B18, B28	—	—	—	—	—	—	—	—	—	—	—
	K4515N14300 (0 to 300 PSIG)	B12, B18, B28	—	—	—	—	—	—	—	—	—	—	—
	K4515G14030 (0 to 2,0 bar)	B12, B18, B28	—	—	—	—	—	—	—	—	—	—	—
	K4515G14160 (0 to 11 bar)	B18, B28	—	—	—	—	—	—	—	—	—	—	—
	K4515G14290 (0 to 20 bar)	B18, B28	—	—	—	—	—	—	—	—	—	—	—



Filter / Regulators Replacement Repair Kits

 = "Most Popular"



Model	Plastic Bowl / Bowl Guard Manual Drain	Metal Bowl / Sight Gauge Manual Drain	Plastic Bowl / Bowl Guard Automatic Drain	Metal Bowl / Sight Gauge Automatic Drain	Plastic Bowl / Bowl Guard No Drain
B08	GRP-96-712	GRP-96-714*	N/A	N/A	N/A
B12	GRP-96-347 w/ GRP-96-345	GRP-96-349	GRP-96-351** w/ GRP-96-345	GRP-96-352**	N/A
B18	GRP-96-634	GRP-96-636	GRP-96-635	GRP-96-637	GRP-96-638
B28	GRP-96-642	GRP-96-644	GRP-96-643	GRP-96-645	GRP-96-652
B39	N/A	P3NKA00BSM	N/A	P3NKA00BSA	N/A

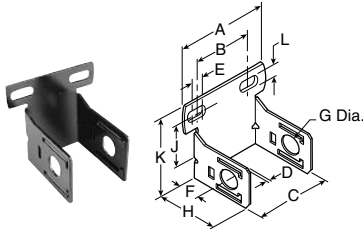
* Metal bowl does not have sight gauge.

** 12 Series has Piston Style Drain.

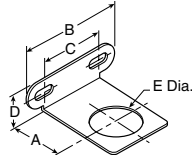
Model	Filter Element 5 Micron	Bowl O-ring (Nitrile)	Bowl O-ring (Fluorocarbon)	Filter Retainer Element Baffle	Manual Drain
B08	FRP-96-729	GRP-96-710	GRP-96-711	N/A	N/A
B12	GRP-96-344	N/A	N/A	N/A	GRP-96-340
B18	FRP-96-639	GRP-96-640	GRP-96-754	FRP-96-641	GRP-96-685
B28	FRP-96-653	GRP-96-654	GRP-96-755	FRP-96-283	GRP-96-685
B39	P3NKA00ESE	N/A	N/A	N/A	PS512
Model	Self-relieving Diaphragm (Nitrile)	Non-relieving Diaphragm (Nitrile)	Valve Assembly Kit	Valve Spring	Service Kit (Relieving)
B08	GRP-96-725	GRP-96-726	RRP-96-727	RRP-96-728	N/A
B12	RRP-96-306	RRP-96-307	N/A	N/A	RRP-96-306
B18	RRP-96-656	RRP-96-657	RRP-96-658	N/A	N/A
B28	RRP-96-986	RRP-96-987	RRP-96-049	N/A	N/A
Model	Main Regulating Spring 0-30 PSIG	Main Regulating Spring 0-60 PSIG	Main Regulating Spring 0-125 PSIG	Main Regulating Spring 0-250 PSIG	
B08	GRP-95-111	GRP-96-718	GRP-96-717	N/A	
B12	RRP-96-303	RRR-96-302	RRP-96-301	RRP-96-304 (200 PSIG)	
B18	RRP-96-659	RRP-96-660	RRP-96-661	RRP-96-662	
B28	RRP-96-163	RRP-96-164	RRP-96-165	RRP-96-166	
B39	N/A	C10A1304	CA101308	CA101317	
Tamper Resistant Model	Aluminum Resistant Ring	Plastic Panel Nut	Manual Panel Nut		
B08	RPA-95-735	RPA-96-733	RPA-96-734		
B12	N/A	N/A	GPA-96-314		
B18	RRP-96-671	RRP-96-673	RRP-96-675		
B28	RRP-96-672	RRP-96-674	RRP-96-676		

Accessories – “08” Series

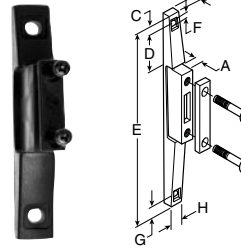
 = “Most Popular”



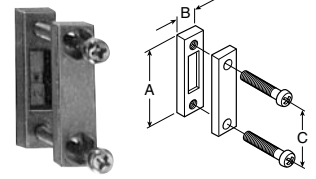
C-Bracket
GPA-97-010



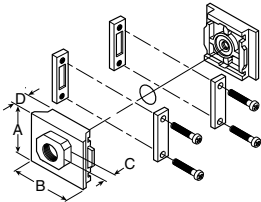
L-Bracket
GRP-96-739



T-Bracket
GPA-96-737
w/ Joiner



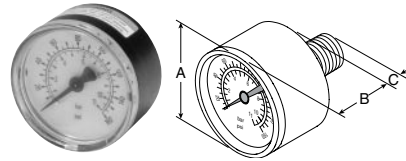
Joiner Set
GPA-96-738
(O-ring not shown)



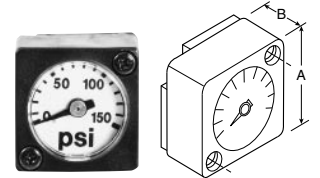
End Block Set



End Block Set
w/ T-Bracket



Gauge with 1/8 Port
08 Series



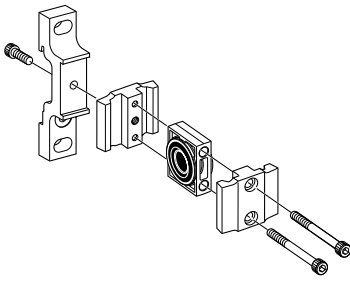
Flush Mount Gauge
08 Series

Dimensions Inches (mm)

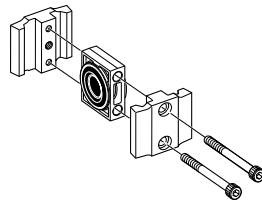
Accessories	Part Number	Pipe Size	A	B	C	D	E	F	G	H	J	K
C-Bracket	GPA-97-010	—	2.67 (68)	1.73 (44)	1.57 (40)	.07 (1.8)	.39 (9.9)	1.57 (40)	.78 (20)	2.32 (59)	1.37 (35)	2.41 (61)
L-Bracket	GRP-96-739	—	1.57 (40)	2.68 (68)	1.74 (44)	.97 (25)	1.19 (30)	—	—	—	—	—
T-Bracket	GPA-96-737	—	.45 (11)	.28 (7.1)	.40 (10)	.67 (17)	3.97 (100.8)	.22 (5.6)	.40 (10)	.64 (16)	—	—
Joiner Set	GPA-96-738	—	1.42 (36)	.39 (9.9)	.98 (26)	—	—	—	—	—	—	—
End Block Set	GPA-97-018	1/8 NPT	1.42 (36)	1.57 (40)	.53 (13.5)	.31 (8)	—	—	—	—	—	—
	GPA-97-019	1/4 NPT										
	GPA-97-020	3/8 NPT										
	GPA-97-066	G 1/8										
	GPA-97-067	G 1/4										
	GPA-97-065	G 3/8										
GPA-97-025	1/8 NPT											
End Block Set With T-Brackets	GPA-97-026	1/4 NPT	1.42 (36)	1.57 (40)	.53 (13.5)	.31 (8)	—	—	—	—	—	—
	GPA-97-027	3/8 NPT										
	GPA-97-068	G 1/8										
	GPA-97-069	G 1/4										
	GPA-97-070	G 3/8										
Flush Mount Series Gauges			1.06 (26.9)	.63 (16)	—	—	—	—	—	—	—	—
K4511SCR150 (0 to 150 PSIG)		—										
K4511SCR060 (0 to 60 PSIG)		—										
K4511SCR11B (0 to 11 bar)		—	1.64 (41.6)	1.09 (27.6)	.80 (20)	—	—	—	—	—	—	—
08 Series Gauges		1/8 CBM										
K4515N18160 (0 to 160 PSIG, 0 to 11 bar)		1/8 CBM	1.64 (41.6)	1.09 (27.6)	.80 (20)	—	—	—	—	—	—	—
K4515N18060 (0 to 60 PSIG, 0 to 4.1 bar)		1/8 CBM										

D

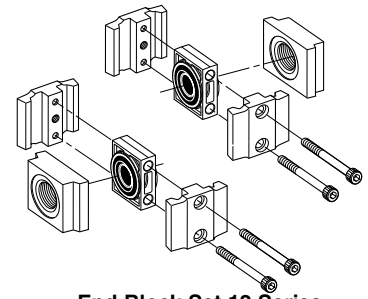
Accessories – “12” Series



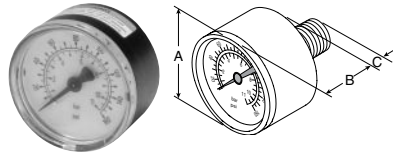
T-Bracket with Joiner Set
GPA-96-312



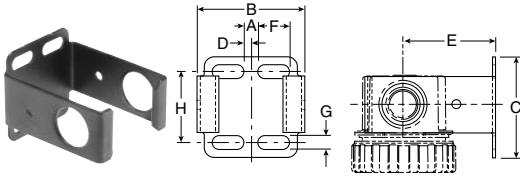
Joiner Set
GPA-96-310



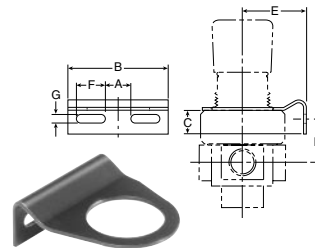
End Block Set 12 Series



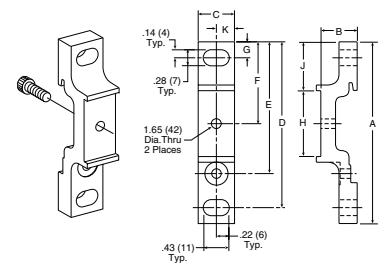
Gauge with 1/4 Inch Port
12 Series



C-Bracket
GPA-96-300



L-Bracket
GPA-96-313



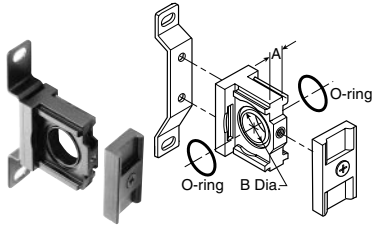
T-Bracket
GPA-96-311

Dimensions Inches (mm)

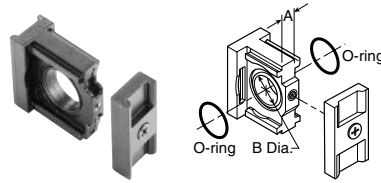
Accessories	Part Number	Pipe Size	A	B	C	D	E	F	G	H	J	K
T-Bracket	GPA-96-311	—	3.15 (80)	0.63 (16)	0.63 (16)	2.87 (73)	2.28 (56)	1.41 (36)	0.28 (7)	1.14 (29)	0.85 (22)	0.31 (8)
T-Bracket w/ Joiner Set	GPA-96-312	—	—	—	—	—	—	—	—	—	—	—
C-Bracket F12, M12, L12	GPA-96-300	—	.28 (7)	2.12 (54)	2.00 (51)	.14 (4)	1.85 (47)	.63 (16)	.28 (7)	1.41 (36)	—	—
L-Bracket R12, B12	GPA-96-313	—	.84 (21)	2.59 (66)	.49 (12)	1.02 (26)	1.85 (47)	.61 (15)	.28 (7)	—	—	—
Joiner Set	GPA-96-310	—	—	—	—	—	—	—	—	—	—	—
End Block Set (Contains 2 End Blocks)	GPA-96-301	1/8 NPT	—	—	—	—	—	—	—	—	—	—
	GPA-96-302	1/4 NPT	—	—	—	—	—	—	—	—	—	—
	GPA-96-303	3/8 NPT	—	—	—	—	—	—	—	—	—	—
	GPA-96-304	G1/8	—	—	—	—	—	—	—	—	—	—
	GPA-96-305	G 1/4	—	—	—	—	—	—	—	—	—	—
	GPA-96-306	G 3/8	—	—	—	—	—	—	—	—	—	—
	GPA-96-307	Rc 1/8	—	—	—	—	—	—	—	—	—	—
	GPA-96-308	Rc 1/4	—	—	—	—	—	—	—	—	—	—
GRP-96-309	Rc 3/8	—	—	—	—	—	—	—	—	—	—	—
12 Series Gauges												
K4515N14030 (0 to 30 PSIG)	1/4 Port, CBM	1.64 (41.6)	1.09 (27.6)	.80 (20)	—	—	—	—	—	—	—	—
K4515N14060 (0 to 60 PSIG)	1/4 Port, CBM	—	—	—	—	—	—	—	—	—	—	—
K4515N14160 (0 to 160 PSIG)	1/4 Port, CBM	—	—	—	—	—	—	—	—	—	—	—

Accessories – “18 / 28” Series

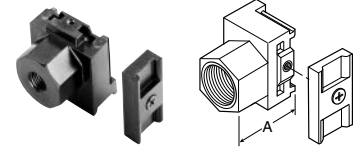
 = “Most Popular”



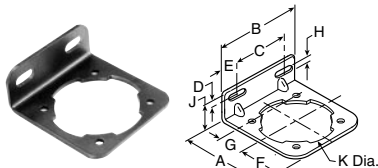
T-Bracket w/ Joiner Set GPA-96-603



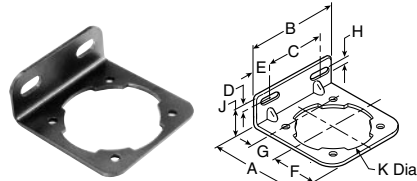
Joiner Set GPA-96-601



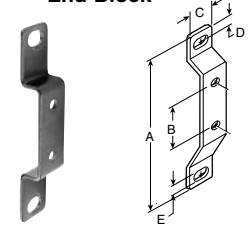
End Block



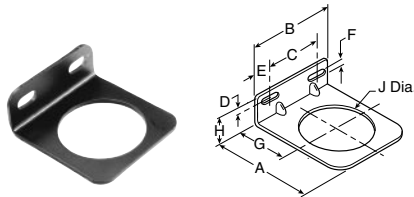
Body L-Bracket GPA-96-604



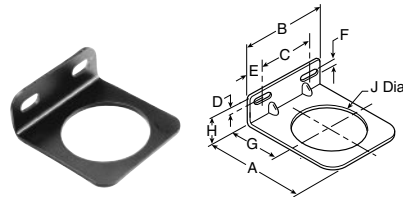
Body L-Bracket GPA-96-605



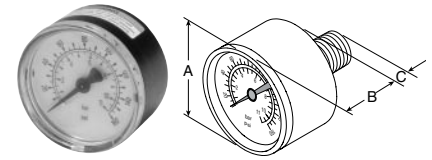
T-Bracket GPA-96-602



Bonnet L-Bracket GRP-96-606



Bonnet L-Bracket GRP-96-607



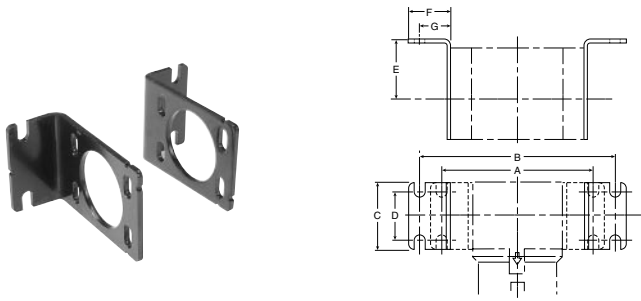
Gauge 18 / 28 Series

Dimensions Inches (mm)

Accessories	Part Number	Pipe Size	A	B	C	D	E	F	G	H	J	K
T-Bracket	GPA-96-602	—	3.75 (95)	1.25 (32)	.76 (19.3)	.25 (6.3)	.28 (7.1)	—	—	—	—	—
T-Bracket w/ Joiner Set	GPA-96-603	—	.35 (8.9)	.87 (22.1)	—	—	—	—	—	—	—	—
L-Bracket, 18 Series	GPA-96-604	—	2.84 (72)	2.74 (69.5)	1.66 (42)	.38 (9.6)	.54 (14)	1.26 (32)	.88 (22)	.28 (7.1)	1.10 (28)	2.25 (57)
L-Bracket, 28 Series	GPA-96-605	—	3.44 (87)	3.00 (76)	1.88 (48)	.38 (9.6)	.56 (14)	1.49 (38)	1.10 (28)	.28 (7.1)	1.10 (28)	2.66 (67.5)
L-Bracket, 18 Series	GPA-96-606	—	2.74 (69.5)	2.74 (69.5)	1.66 (42)	.43 (11)	.54 (14)	.28 (7.1)	1.57 (40)	1.00 (25)	2.0 (51)	—
L-Bracket, 28 Series	GPA-96-607	—	3.33 (84.5)	3.00 (76)	1.88 (48)	.43 (11)	.56 (14)	2.40 (61)	1.94 (49)	1.00 (25)	2.40 (61)	—
Joiner Set	GPA-96-601	—	.35 (8.9)	.87 (22.1)	—	—	—	—	—	—	—	—
End Block	GPA-96-610	1/4 NPT	1.59 (40)	—	—	—	—	—	—	—	—	—
	GPA-96-611	3/8 NPT										
	GPA-96-612	1/2 NPT										
	GPA-96-613	3/4 NPT										
	GPA-96-620	G 1/4										
	GPA-96-621	G 3/8										
	GPA-96-622	G 1/2										
GPA-96-623	G 3/4											
18 / 28 Series Gauges			1.64 (41.6)	1.09 (27.6)	.80 (20)	—	—	—	—	—	—	—
K4515N14030 (0 to 30 PSIG)		1/4 Port, CBM										
K4515N14060 (0 to 60 PSIG)		1/4 Port, CBM										
K4515N14160 (0 to 160 PSIG)		1/4 Port, CBM										
K4515N14300 (0 to 300 PSIG)		1/4 Port, CBM										
K4515G14030 (0 to 2.0 bar)		1/4 Port, CBM										
K4515G14060 (0 to 4.2 bar)		1/4 Port, CBM										
K4515G14160 (0 to 11 bar)		1/4 Port, CBM										
K4515G14290 (0 to 20 bar)		1/4 Port, CBM										

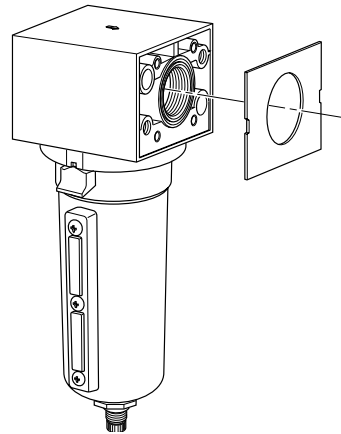


Accessories – “39” Series

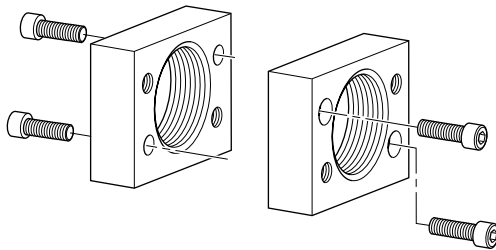


**L-Bracket
P3NKA00MW**

For 1-1/2” BSPP Port Block with E02 fitting application, use **Mounting Bracket Kit P3NKA00BMW**



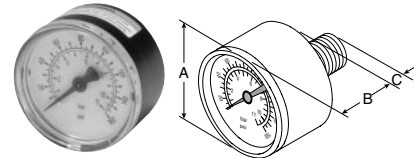
**Replacement Body Covers C-Bracket
P3NKA00PM**



**Port Block Kits
39 Series**

Port Block Kits allow units to be installed or removed as modular components.

Each Kit includes all the necessary pieces to make two port connections.



**Gauge with 1/4 Port
39 Series**

Dimensions Inches (mm)

Accessories	Part Number	Pipe Size	A	B	C	D	E	F	G
L-Bracket	P3NKA00MW	—	6.22 (158)	8.19 (208)	2.75 (70)	1.97 (50)	2.36 (60)	1.77 (45)	1.30 (33)
Replacement Body Covers	P3NKA00PM	—	Each Kit contains two covers. All units are shipped with body covers.						
Port Block Kits	P3NKB96CP	3/4 Inch NPT	Individual Filters, Individual Regulators and 2-Piece Filter and Regulator Assemblies						
	P3NKB98CP	1 Inch NPT							
	P3NKB16CP	3/4 Inch BSPP							
	P3NKB18CP	1 Inch BSPP							
	P3NKB96CL	3/4 Inch NPT	2 and 3 Piece Combinations including a Lubricator (FR/L & FRL), Individual Lubricators, Individual Coalescing Filters and 2-Piece Filter and Coalescer Assemblies						
	P3NKB98CL	1 Inch NPT							
	P3NKB16CL	3/4 Inch BSPP							
	P3NKB18CL	1 Inch BSPP							
39 Series Gauges									
K4520N14030 (0 to 30 PSIG)		1/4 Port, CBM	1.96 (49.8)	1.08 (27.4)	.91 (23)	—	—	—	—
K4520N14060 (0 to 60 PSIG)		1/4 Port, CBM							
K4520N14160 (0 to 160 PSIG)		1/4 Port, CBM							

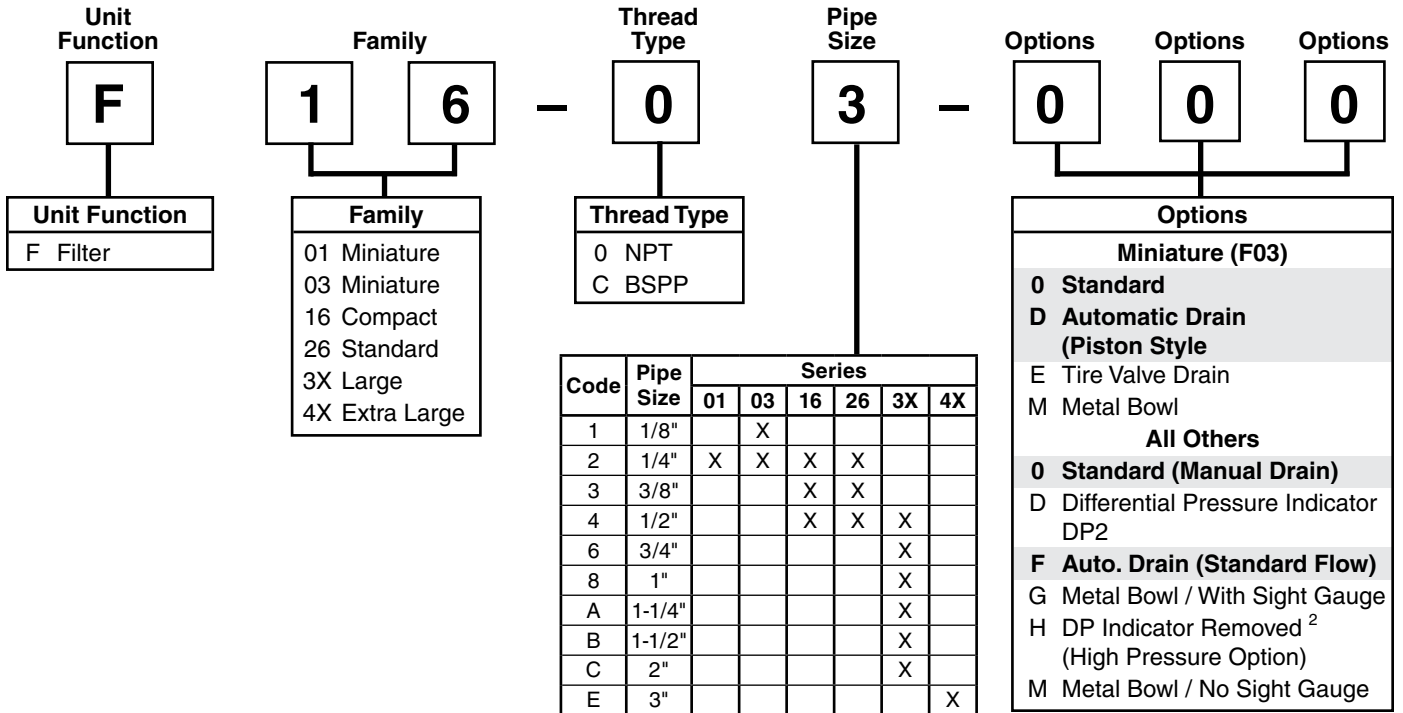


General Compressed Air Treatment Products

Particulate Filters	3	X25	52	Lubricators	99
F01	4	X08	54	L01.....	100
F03	6	Afterfilters	55	L03.....	102
F16	8	A18	56	L16 / L17	104
F26	10	A28	58	L26 / L27	106
F30	12	AF1	60	L30.....	108
F34	14	AF2.....	62	L31.....	110
F35	16	Regulators	64	L32.....	112
F36	18	RB3 / RA3	66	L34.....	114
F43	20	R03	68	L40.....	116
Coalescing Filters	23	R16	70	L41.....	118
M03.....	24	R26	72	L42.....	120
M16.....	26	R30	74	L50.....	122
M21.....	28	R40	76	Filter / Regulators	124
M26.....	30	Dial-Air™ Regulators	79	BB3 / BA3.....	126
M30.....	32	R11	80	B03	128
M31.....	34	R21	82	CB6.....	130
M32.....	36	R31	84	PC5 / PC6	132
M35.....	38	R41	86	Combos	134
M36.....	40	Precision Regulators	89	D03	136
M43.....	42	P12	90	CB7.....	138
M45.....	44	P15 / P16.....	92	C03	140
Desiccant Dryers	47	P17	94	C16 / C17	142
X06	48	P19	96	C26 / C27	144
X03 / X04.....	50			C31	146

Notes

Particulate Filter Numbering System = "Most Popular"



¹ Ports on some units are BSPP-G, others are BSPT-Rc. Consult specific model page for specifications.
² Models F35, F36, F37 & F43.

"F" Series Filters, Type "A" 5 micron elements: All Wilkerson Type "A" micron elements meet or exceed ISO Class 3 for maximum particle size and concentration of solid contaminants.

NOTE: All classes above refer to International Standards Organization (ISO) standard 8573-1, pertaining to maximum particle size and concentration of solid contaminants, and maximum oil content.

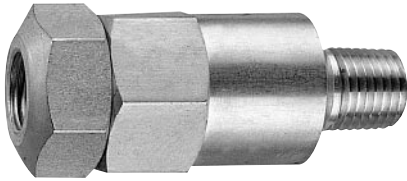
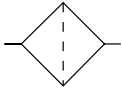
If more than one option is desired, arrange them in alphabetical order in positions 6, 7, and 8.

NOTE: 000 in position 6, 7, and 8 signifies standard product.



Particulate Filter

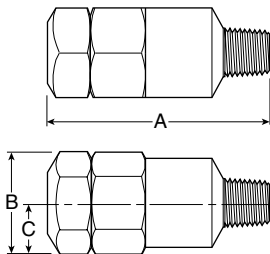
F01



F01-02-000

In-Line Filter

This small, aluminum in-line filter is designed to provide protection for portable pneumatic hand tools. It weighs only 2 ounces with a throw-away filter element rated at 5 microns. Either port may be used as the inlet port. Flow is 17 SCFM (8 dm³/s) at 90 PSIG (6.2 bar) inlet pressure with 5 PSIG (0.3 bar) pressure drop.



Dimensions

Models	Inches (mm)	A	B	C
Standard Unit F01-02-000		2.50 (63.5)	1.00 (25)	.51 (13)

= "Most Popular"

Specifications

Flow Capacity*	17.0 SCFM (8 dm ³ /s)	
Maximum Supply Pressure	200 PSIG (13.8 bar)	
Operating Temperature	32° to 150°F (0° to 65.5°C)	
Port Size	NPT / BSPT-Rc	1/4
Standard Filtration	Micron	5
Weight	lb. (kg)	.13 (.06)

* Inlet pressure 150 PSIG (10.3 bar). Pressure drop 5 PSID (0.3 bar).

"F" Series Filters, Type "A" 5 micron elements: All Wilkerson Type "A" 5 micron elements **meet or exceed ISO Class 3** for maximum particle size and concentration of solid contaminants.

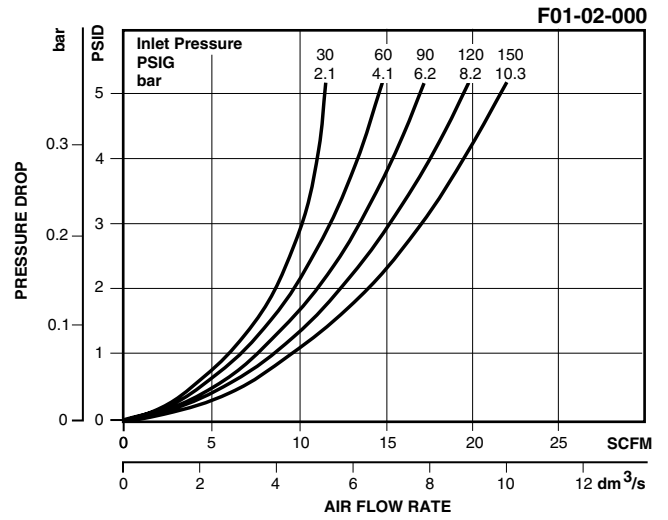
Materials of Construction

Baffle	Aluminum
Body	Aluminum
Filter Element	Sintered Polyethylene
Seals	Nitrile

Replacement Element Kits

Type "A", 5 Micron FRP-95-199

= "Most Popular"



Ordering Information

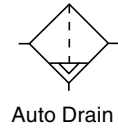
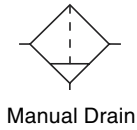
Model Type	Port Size	Standard Unit
In-Line Filter	1/4	F01-02-000

Options - To order an option supplied with the unit model, add the appropriate coded suffix letter in the designated position of the model number.

Particulate Filter

F03

= "Most Popular"



F03-02-000

Features

- Excellent Water Removal Efficiency
- Unique Deflector Plate that Creates Swirling of the Air Stream Ensuring Maximum Water and Dirt Separation
- Easily Disassembled for Servicing Without the Use of Tools

Specifications

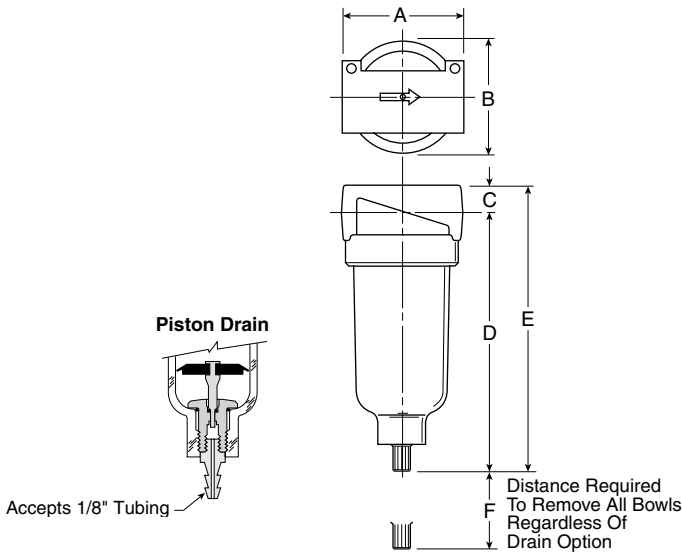
Flow Capacity*	1/8	22.0 SCFM (10 dm ³ /s)
	1/4	24.0 SCFM (11 dm ³ /s)
Maximum Supply Pressure	Polycarbonate Bowl	0 to 150 PSIG (0 to 10.3 bar)
	Metal Bowl	0 to 250 PSIG (0 to 17.2 bar)
	Piston Drain	10 to 250 PSIG (0.7 to 17.2 bar)
Operating Temperature	Polycarbonate Bowl	32°F to 125°F (0°C to 52°C)
	Metal Bowl	32°F to 175°F (0°C to 80°C)
	Piston Drain	32°F to 125°F (0°C to 52°C)
Port Size	NPT	1/8, 1/4
Standard Filtration	Micron	5
Weight	lb. (kg)	.41(.18)
Bowl Capacity		1 Ounce

* Inlet pressure 90 PSIG (10.3 bar). Pressure drop 5 PSID (0.3 bar).

"F" Series Filters, Type "A" 5 micron elements: All Wilkerson Type "A" 5 micron elements **meet or exceed ISO Class 3** for maximum particle size and concentration of solid contaminants.

Materials of Construction

Body		Zinc
Bowls	Transparent	Polycarbonate
	Metal (Without Sight Gauge)	Zinc
Deflector, Element Holder & Baffle		Plastic
Manual Drain	Body & Stem	Plastic
	Seals	Nitrile
Piston Drain	Piston & Seals	Nitrile
	Stem, Seat, Adaptor & Washers	Aluminum
Filter Elements	5 Micron	Plastic
Seals	Nitrile	



Dimensions

Models	Inches (mm)	A	B	C	D	E	F
Standard Unit F03-XX-000		1.69 (43)	1.53 (39)	.39 (10)	3.82 (97)	4.21 (107)	1.60 (41)
Piston Drain F03-XX-D00		1.69 (43)	1.53 (39)	.39 (10)	3.87 (99)	4.26 (108)	1.60 (41)

Replacement Bowl Kits

Metal Bowl –
 Manual DrainPS451B
 Piston DrainPS447B

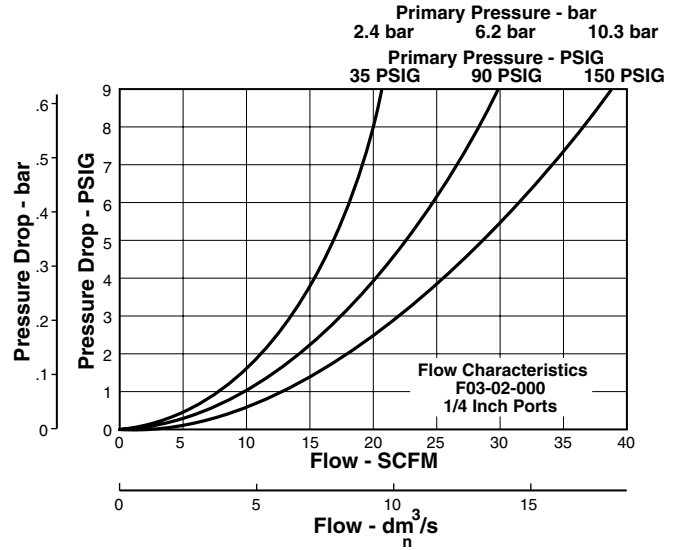
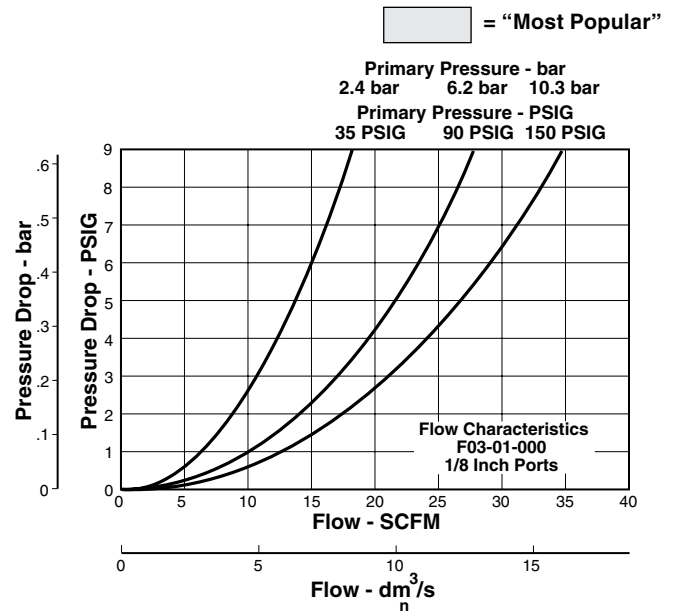
Plastic Bowl –
 Manual DrainPS404
 Piston DrainPS408B

Replacement Element Kits

5 MicronPS403

Accessories

Filter Element Kit (Bulk Pack, Qty. 12)FRP-96-303
 Mounting Bracket KitPS417B



Ordering Information

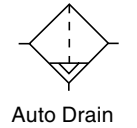
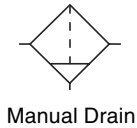
Model Type	Port Size	Polycarbonate Bowl	Metal Bowl
Manual Drain	1/8	F03-01-000	F03-01-M00
	1/4	F03-02-000	F03-02-M00
Piston Drain	1/8	F03-01-D00	F03-01-DM0
	1/4	F03-02-D00	F03-02-DM0

Options - To order an option supplied with the unit model, add the appropriate coded suffix letter in the designated position of the model number.

Particulate Filter

F16

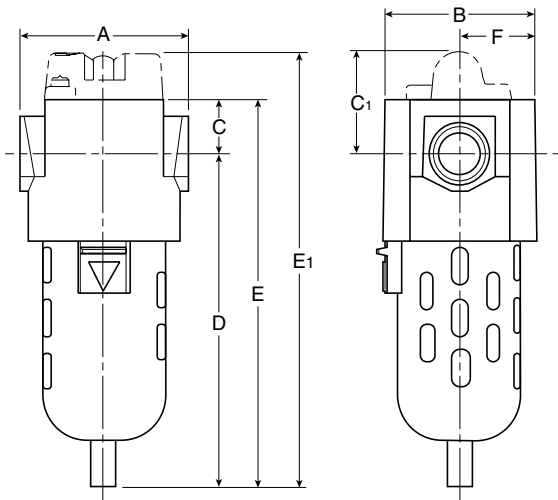
= "Most Popular"



F16-02-000

Features

- Manual Drain
- 5 Micron Rated Element
- Quick-disconnect Bowl Guard with Integral Plastic Bowl and Safety Latch



Dimensions

Models	Inches (mm)	A	B	C	C ₁	D	E	E ₁	F
Standard Unit F16-XX-000		3.00 (76)	2.60 (66)	1.00 (25.4)	—	5.50 (139.7)	6.50 (165)	—	1.30 (33)
Differential Pressure Indicator F16-XX-D00		3.00 (76)	2.60 (66)	1.00 (25.4)	1.83 (46.5)	5.50 (139.7)	6.50 (165)	7.33 (186)	1.30 (33)
Automatic Drain F16-XX-F00		3.00 (76)	2.60 (66)	1.00 (25.4)	—	5.50 (139.7)	6.64 (168.7)	—	1.30 (33)
Metal Bowl / Metal Bowl with Sight Gauge F16-XX-G00		3.00 (76)	2.60 (66)	1.00 (25.4)	—	5.50 (139.7)	7.09 (180)	—	1.30 (33)

Specifications

Flow Capacity*	1/4	63.0 SCFM (29.7 dm ³ /s)
	3/8	74.1 SCFM (34.9 dm ³ /s)
	1/2	80.4 SCFM (37.9 dm ³ /s)
Operating Temperature	Plastic Bowl	32° to 125°F (0° to 52°C)
	Metal Bowl	32° to 150°F (0° to 65.5°C)
Maximum Supply Pressure	Plastic Bowl	150 PSIG (10.3 bar)
	Metal Bowl	200 PSIG (13.8 bar)
Port Size	NPT / BSPP-G	1/4, 3/8, 1/2
Standard Filtration	Micron	5
Useful Retention**	oz. (cm ³)	2.7 (81)
Weight	lb. (kg)	1.8 (0.8)

* Inlet pressure 150 PSIG (10.3 bar). Pressure drop 5 PSID (0.3 bar).

** Useful retention refers to volume below the quiet zone baffle.

"F" Series Filters, Type "A" 5 micron elements: All Wilkerson Type "A" 5 micron elements **meet or exceed ISO Class 3** for maximum particle size and concentration of solid contaminants.

Materials of Construction

Baffle		Polypropylene
Body		Zinc
Bowls	Plastic Bowl	Polycarbonate
	Metal Bowl	Zinc
Deflector		Polypropylene
Element Retainer		Acetal
Filter Element		Polyethylene
Seals	Plastic Bowl	Nitrile
	Metal Bowl	Fluorocarbon
Sight Gauge	Metal Bowl	Polycarbonate

= "Most Popular"

Replacement Bowl Kits

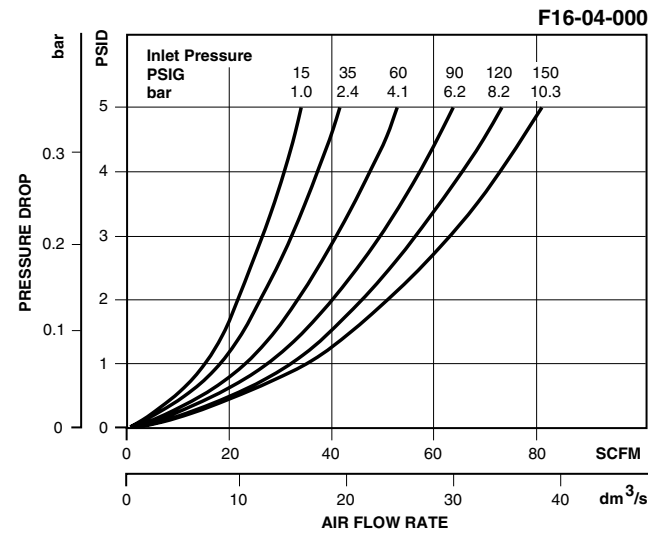
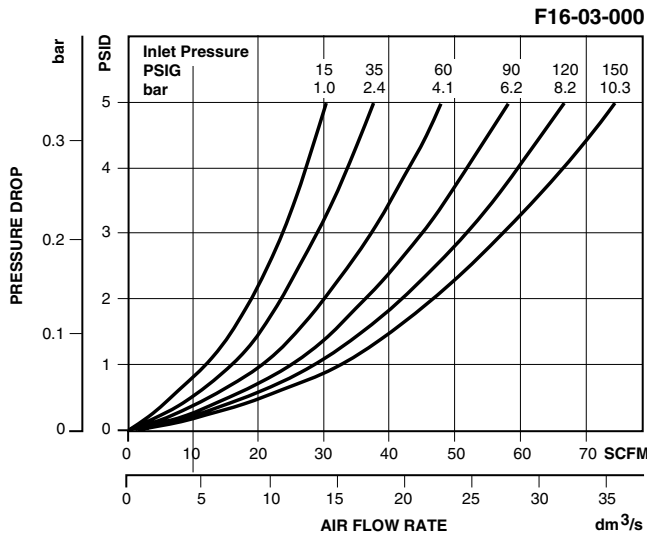
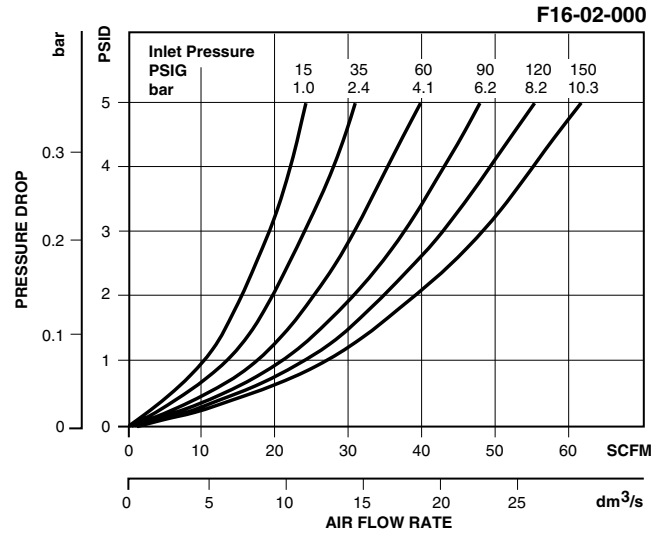
- Metal Bowl –
 Automatic Drain FRP-95-950
 Manual Drain FRP-95-178
 Sight Gauge, Manual Drain GRP-95-133
- Plastic Bowl –
 Bowl Guard, Automatic Drain FRP-95-015
 Bowl Guard, Manual Drain FRP-95-014
 Manual Drain FRP-95-017

Replacement Element Kits

- Type "A", 5 Micron FRP-95-160

Accessories

- Automatic Drain, Nitrile GRP-95-973
 L-Bracket GPA-95-016
 Manual Drain FRP-95-610
 Sight Gauge Kit FRP-95-079



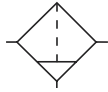
Ordering Information

Model Type	Port Size	Polycarbonate Bowl / Bowl Guard	Metal Bowl	Metal Bowl / Sight Gauge	Polycarbonate Bowl / Bowl Guard / Differential Pressure Indicator
Manual Drain	1/4	F16-02-000	F16-02-M00	F16-02-G00	F16-02-D00
	3/8	F16-03-000	F16-03-M00	F16-03-G00	F16-03-D00
	1/2	F16-04-000	F16-04-M00	F16-04-G00	F16-04-D00
Automatic Drain	1/4	F16-02-F00	F16-02-FM0	F16-02-FG0	F16-02-DF0
	3/8	F16-03-F00	F16-03-FM0	F16-03-FG0	F16-03-DF0
	1/2	F16-04-F00	F16-04-FM0	F16-04-FG0	F16-04-DF0

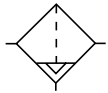
Options - To order an option supplied with the unit model, add the appropriate coded suffix letter in the designated position of the model number.

Particulate Filter

F26



Manual Drain



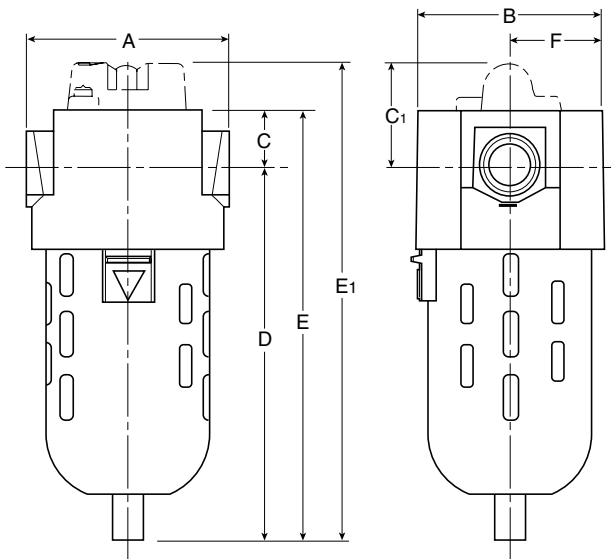
Auto Drain



F26-02-000

Features

- Manual Drain
- 5 Micron Rated Element
- Quick-disconnect Bowl Guard with Integral Plastic Bowl and Safety Latch



Dimensions

Models	Inches (mm)	A	B	C	C ₁	D	E	E ₁	F
Standard Unit F26-XX-000		3.30 (84)	3.00 (76)	1.00 (25.4)	—	6.40 (162.6)	7.40 (188)	—	1.50 (38)
Differential Pressure Indicator F26-XX-D00		3.30 (84)	3.00 (76)	1.00 (25.4)	1.83 (46.5)	6.40 (162.6)	7.40 (188)	8.23 (209)	1.50 (38)
Automatic Drain F26-XX-F00		3.30 (84)	3.00 (76)	1.00 (25.4)	—	6.40 (162.6)	7.54 (191.5)	—	1.50 (38)
Metal Bowl / Metal Bowl with Sight Gauge F26-XX-G00		3.30 (84)	3.00 (76)	1.00 (25.4)	—	6.40 (162.6)	7.30 (185)	—	1.50 (38)

= "Most Popular"

Specifications

Flow Capacity*	1/4	81.3 SCFM (28.3 dm ³ /s)
	3/8	117.8 SCFM (55.5 dm ³ /s)
	1/2	149.8 SCFM (70.6 dm ³ /s)
Maximum Supply Pressure	Plastic Bowl	150 PSIG (10,3 bar)
	Metal Bowl	200 PSIG (13,8 bar)
Operating Temperature	Plastic Bowl	32° to 125°F (0° to 52°C)
	Metal Bowl	32° to 150°F (0° to 65.5°C)
Port Size	NPT / BSPP-G	1/4, 3/8, 1/2
Standard Filtration	Micron	5
Useful Retention**	oz. (cm ³)	3.2 (94.6)
Weight	lb. (kg)	2.9 (1.3)

* Inlet pressure 150 PSIG (10.3 bar). Pressure drop 5 PSID (0.3 bar).

** Useful retention refers to volume below the quiet zone baffle.

"F" Series Filters, Type "A" 5 micron elements: All Wilkerson Type "A" 5 micron elements **meet or exceed ISO Class 3** for maximum particle size and concentration of solid contaminants.

Materials of Construction

Baffle		Acetal
Body		Zinc
Bowls	Plastic Bowl	Polycarbonate
	Metal Bowl	Zinc
Deflector		Polypropylene
Element Retainer		Acetal
Filter Element		Polyethylene
Seals	Plastic Bowl	Nitrile
	Metal Bowl	Fluorocarbon
Sight Gauge	Metal Bowl	Polycarbonate

 = "Most Popular"

Replacement Bowl Kits

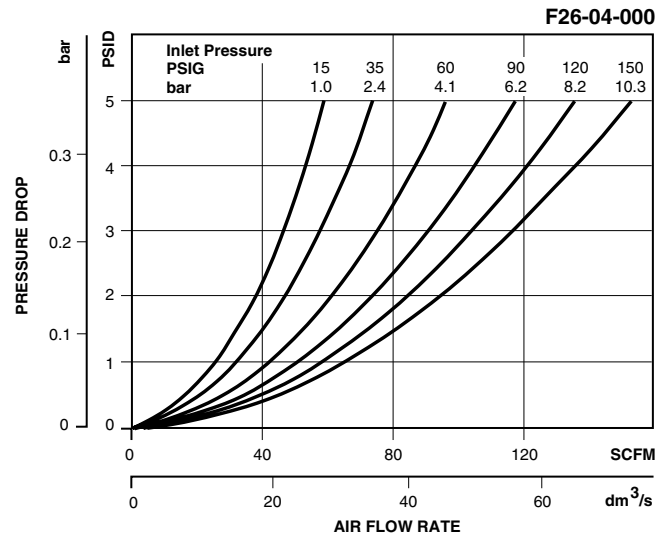
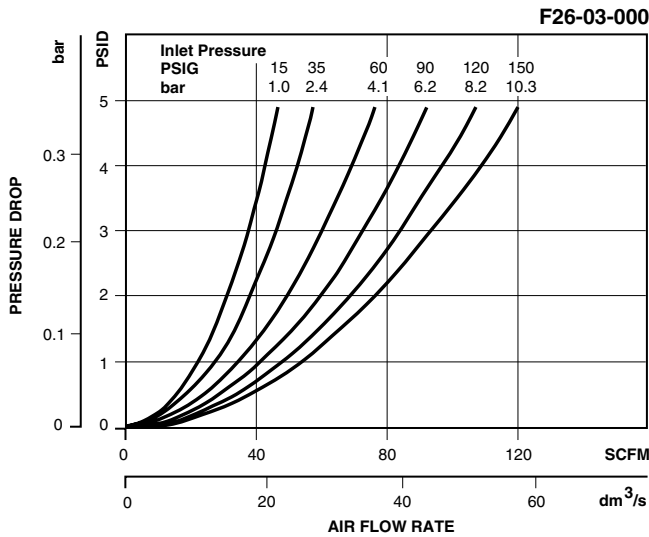
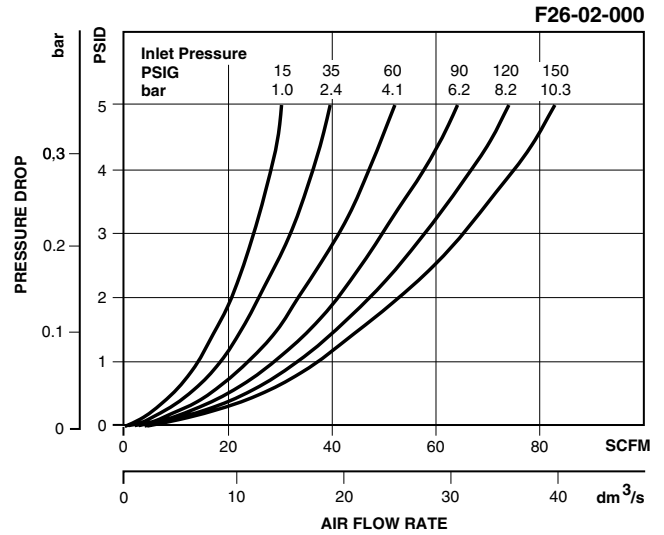
- Metal Bowl –
 Automatic Drain GRP-95-960
 Manual Drain GRP-95-930
 Sight Gauge, Manual Drain GRP-95-931
- Plastic Bowl –
 Automatic Drain GRP-95-948
 Bowl Guard, Manual Drain GRP-95-935
 Manual Drain GRP-95-929

Replacement Element Kits

- Type "A", 5 Micron FRP-95-115

Accessories

- Automatic Drain, Nitrile GRP-95-973
 Manual Drain FRP-95-610
 Sight Gauge Kit FRP-95-079



E

Ordering Information

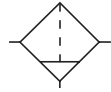
Model Type	Port Size	Polycarbonate Bowl / Bowl Guard	Metal Bowl	Metal Bowl / Sight Gauge	Polycarbonate Bowl / Bowl Guard / Differential Pressure Indicator
Manual Drain	1/4	F26-02-000	F26-02-M00	F26-02-G00	F26-02-D00
	3/8	F26-03-000	F26-03-M00	F26-03-G00	F26-03-D00
	1/2	F26-04-000	F26-04-M00	F26-04-G00	F26-04-D00
Automatic Drain	1/4	F26-02-F00	F26-02-FM0	F26-02-FG0	F26-02-DF0
	3/8	F26-03-F00	F26-03-FM0	F26-03-FG0	F26-03-DF0
	1/2	F26-04-F00	F26-04-FM0	F26-04-FG0	F26-04-DF0

Options - To order an option supplied with the unit model, add the appropriate coded suffix letter in the designated position of the model number.

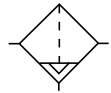
Particulate Filter

= "Most Popular"

F30



Manual Drain



Auto Drain



F30-06-000

Specifications

Flow Capacity*	3/4	316 SCFM (149.1 dm ³ /s)
	1	323 SCFM (152.4 dm ³ /s)
Maximum Supply Pressure	Plastic Bowl	150 PSIG (10.3 bar)
	Metal Bowl	200 PSIG (13.8 bar)
Operating Temperature	Plastic Bowl	32° to 125°F (0° to 52°C)
	Metal Bowl	32° to 150°F (0° to 65.5°C)
Port Size	NPT / BSPP-G	3/4, 1
Standard Filtration	Micron	5
Useful Retention**	oz. (cm ³)	2.0 (59.8)
Weight	lb. (kg)	5.5 (2.5)

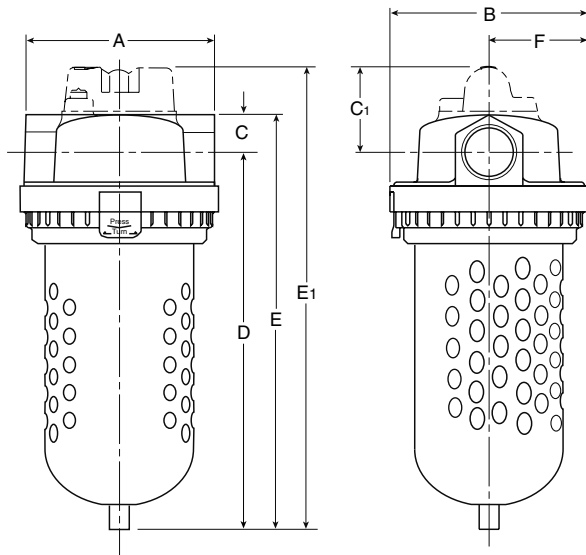
* Inlet pressure 150 PSIG (10.3 bar). Pressure drop 5 PSID (0.3 bar).

** Useful retention refers to volume below the quiet zone baffle.

"F" Series Filters, Type "A" 5 micron elements: All Wilkerson Type "A" 5 micron elements **meet or exceed ISO Class 3** for maximum particle size and concentration of solid contaminants.

Features

- Standard Manual Drain
- Standard 5 Micron Rated Element
- Quick-disconnect Clamp Ring for Easy Bowl Removal
- Bowl Guard



Materials of Construction

Baffle	Acetal	
Body	Zinc	
Bowls	Plastic Bowl	Polycarbonate
	Metal Bowl	Zinc
Deflector	Aluminum	
Element Retainer	Steel Stud	
Filter Element	Polyethylene	
Seals	Plastic Bowl	Nitrile
	Metal Bowl	Fluorocarbon
Sight Gauge	Metal Bowl	Tempered Glass

Dimensions

Models	Inches (mm)	A	B	C	C ₁	D	E	E ₁	F
Standard Unit F30-XX-000		4.61 (117)	4.80 (122)	.94 (24)	—	8.96 (228)	9.90 (251)	—	2.40 (61)
Differential Pressure Indicator F30-XX-D00		4.61 (117)	4.80 (122)	.94 (24)	1.77 (44.9)	8.96 (228)	9.90 (251)	10.73 (272.5)	2.40 (61)
Automatic Drain F30-XX-F00		4.61 (117)	4.80 (122)	.94 (24)	—	8.96 (228)	10.04 (255)	—	2.40 (61)
Metal Bowl F30-XX-M00		4.61 (117)	4.80 (122)	.94 (24)	—	8.96 (228)	10.00 (254)	—	2.40 (61)
Metal Bowl with Sight Gauge F30-XX-G00		4.61 (117)	4.80 (122)	.94 (24)	—	8.96 (228)	9.90 (251)	—	2.40 (61)

 = "Most Popular"

Replacement Bowl Kits

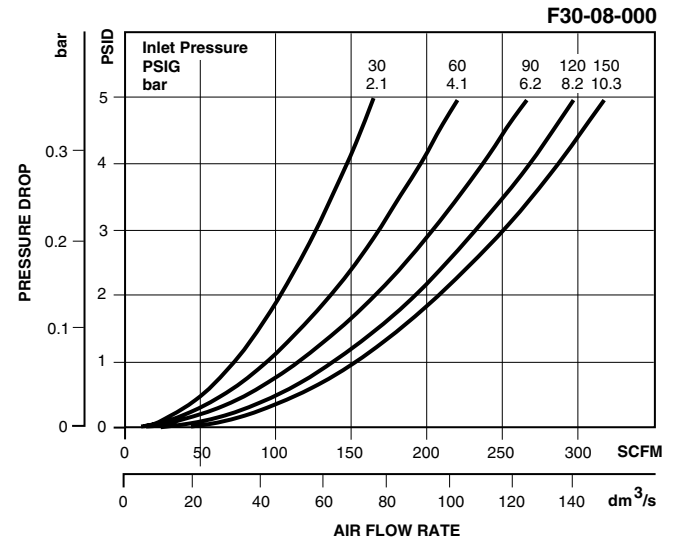
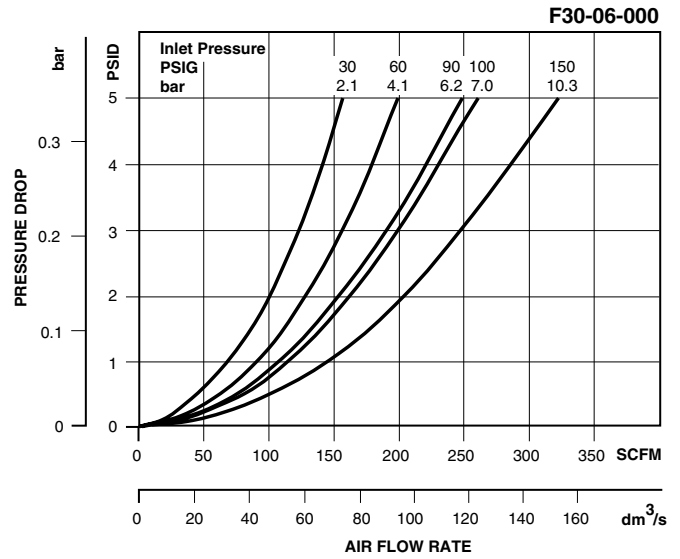
- Metal Bowl –**
 Automatic Drain GRP-95-970
 Sight Gauge, Manual Drain GRP-95-676
 Manual Drain FRP-95-593
- Plastic Bowl–**
 Bowl Guard, Automatic Drain FRP-95-775
 Bowl Guard, Manual Drain FRP-95-832
 Manual Drain FRP-96-315

Replacement Element Kits

- Type "A", 5 Micron FRP-95-209

Accessories

- Automatic Drain, Nitrile GRP-95-973
 Manual Drain FRP-95-610
 Sight Gauge Kit FRP-95-771



Ordering Information

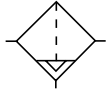
Model Type	Port Size	Polycarbonate Bowl / Bowl Guard	Metal Bowl	Metal Bowl / Sight Gauge	Polycarbonate Bowl / Bowl Guard / Differential Pressure Indicator
Manual Drain	3/4	F30-06-000	F30-06-M00	F30-06-G00	F30-06-D00
	1	F30-08-000	F30-08-M00	F30-08-G00	F30-08-D00
Automatic Drain	3/4	F30-06-F00	F30-06-FM0	F30-06-FG0	F30-06-DF0
	1	F30-08-F00	F30-08-FM0	F30-08-FG0	F30-08-DF0

Options - To order an option supplied with the unit model, add the appropriate coded suffix letter in the designated position of the model number.



Particulate Filter

F34



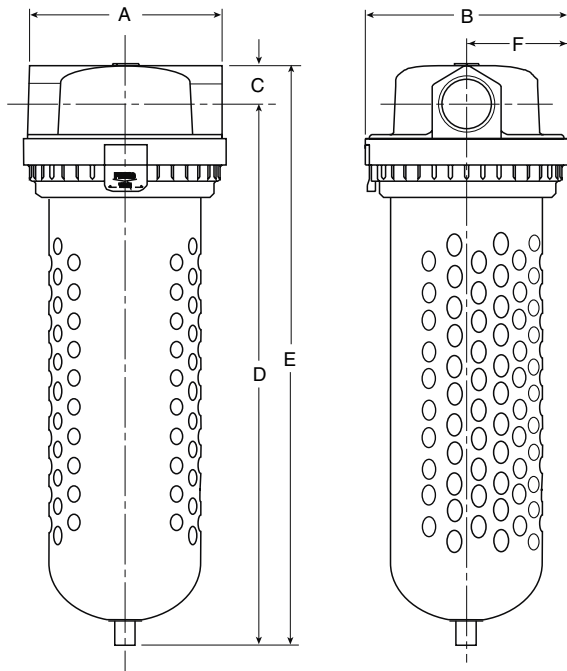
Auto Drain



F34-06-000

Features

- Standard Auto. Drain
- Standard 5 Micron Rated Element
- Quick-disconnect Clamp Ring for Easy Bowl Removal
- Bowl Guard



Dimensions

Models	Inches (mm)	A	B	C	D	E	F
Standard Unit (Automatic Drain Standard) F34-XX-000		4.61 (117)	4.80 (122)	.94 (24)	12.96 (329)	13.90 (353)	2.40 (61)
Metal Bowl		4.61 (117)	4.80 (122)	.94 (24)	12.44 (315.9)	13.38 (340)	2.40 (61)

= "Most Popular"

Specifications

Flow Capacity*	1/2	190 SCFM (90.4 dm ³ /s)
	3/4	285 SCFM (134.4 dm ³ /s)
	1	362 SCFM (171.0 dm ³ /s)
Maximum Supply Pressure	Plastic Bowl	150 PSIG (10.3 bar)
	Metal Bowl	200 PSIG (13.8 bar)
Operating Temperature	Plastic Bowl	32° to 125°F (0° to 52°C)
	Metal Bowl	32° to 150°F (0° to 65.5°C)
Port Size	NPT / BSPP-G	1/2, 3/4, 1
Standard Filtration	Micron	5
Useful Retention**	oz. (cm ³)	16.6 (490)
Weight	lb. (kg)	6.4 (2.9)

* Inlet pressure 150 PSIG (10.3 bar). Pressure drop 5 PSID (0.3 bar).

** Useful retention refers to volume below the quiet zone baffle.

"F" Series Filters, Type "A" 5 micron elements: All Wilkerson Type "A" 5 micron elements meet or exceed ISO Class 3 for maximum particle size and concentration of solid contaminants.

Materials of Construction

Baffle	Acetal	
Body	Zinc	
Bowls	Plastic Bowl	Polycarbonate
	Metal Bowl	Aluminum
Deflector	Aluminum	
Element Retainer	Steel Stud	
Filter Element	Polyethylene	
Seals	Plastic Bowl	Nitrile
	Metal Bowl	Fluorocarbon

Replacement Bowl Kits

Plastic Bowl –
 Bowl Guard, Manual Drain GRP-95-902

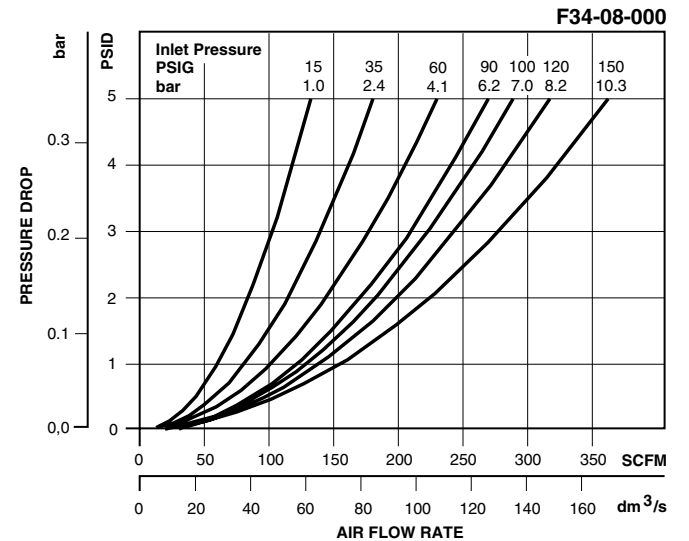
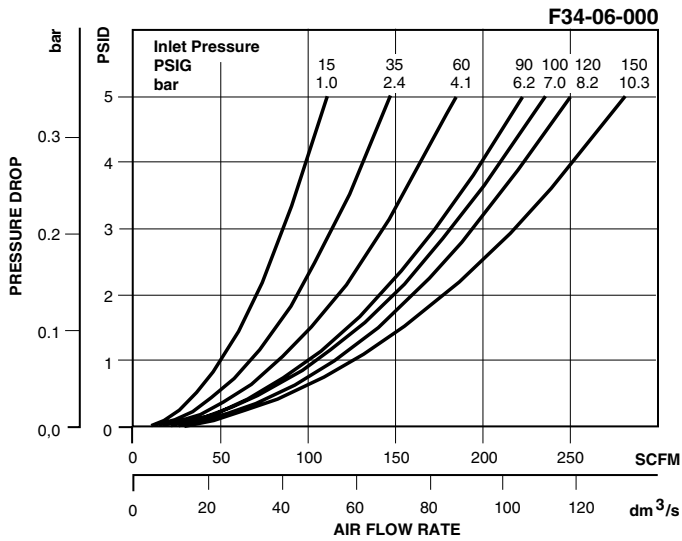
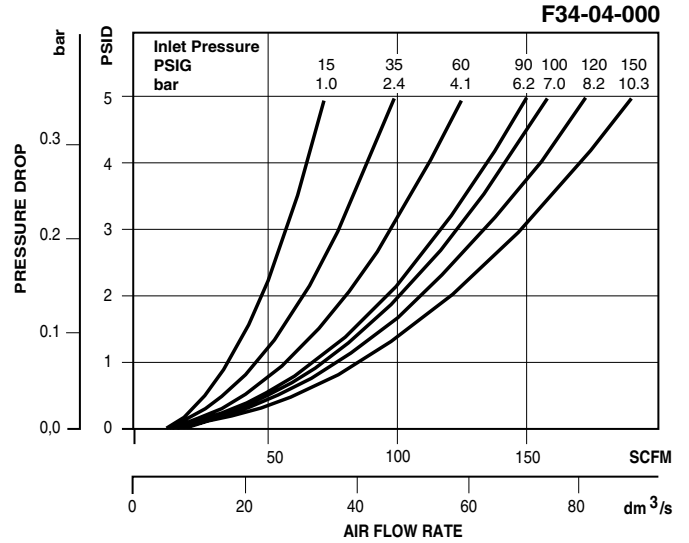
Replacement Element Kits

Type “A”, 5 Micron FRP-95-209

Accessories

Float Drain Assembly FRP-15-487-000

 = “Most Popular”



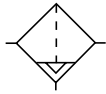
Ordering Information

Model Type	Port Size	Polycarbonate Bowl / Bowl Guard	Metal Bowl
Automatic Drain	1/2	F34-04-000	F34-04-M00
	3/4	F34-06-000	F34-06-M00
	1	F34-08-000	F34-08-M00

Options - To order an option supplied with the unit model, add the appropriate coded suffix letter in the designated position of the model number.

Particulate Filter

F35



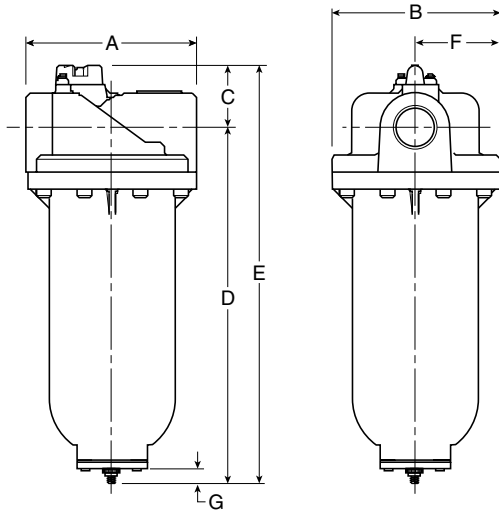
Auto Drain



F35-0B-000

Features

- Heavy-duty Cast Aluminum Housings to Withstand Operating Pressures Up to 300 PSIG*
- Differential Pressure Indicator to Eliminate the Guesswork of Element Replacement
- Unique Drain Mounting Plate Design Offers a Trouble-free Method for Interchanging and Installing External Drains



NOTE: Automatic internal float drain shown is included on F35 filters with F00 suffix only.
Models with 000 suffix include drain plate with tapped 1/2 NPT / BSPP-G drain port.

Dimensions

Models	Inches (mm)	A	B	C	D	E	F	G
Standard Unit F35-XX-000		7.80 (198)	7.76 (197)	2.83 (72)	16.24 (412.5)	19.07 (484)	3.88 (98.6)	.55 (14)
Automatic Drain F35-XX-F00		7.80 (198)	7.76 (197)	2.83 (72)	15.69 (398.5)	18.52 (470)	3.88 (98.6)	.55 (14)

= "Most Popular"

Specifications

Flow Capacity*	1-1/4	970 SCFM (458 dm ³ /s)
	1-1/2	1280 SCFM (604 dm ³ /s)
	2	1400 SCFM (660 dm ³ /s)
Maximum Supply Pressure	without DP2	300 PSIG (20.7 bar)**
	with DP2	150 PSIG (10.3 bar)
Operating Temperature	32° to 150°F (0° to 65.5°C)	
Port Size	NPT / BSPP-G	1-1/4, 1-1/2, 2
Standard Filtration	Micron	5
Useful Retention†	oz. (cm ³)	12.5 (370)
Weight	lb. (kg)	19.3 (8.7)

* Inlet pressure 150 PSIG (10.3 bar). Pressure drop of 5 PSID (0.3 bar).

** Without pressure indicator – Max. supply pressure is 300 PSIG (20.7 bar).

† Useful retention refers to volume below the quiet zone baffle.

"F" Series Filters, Type "A" 5 micron elements: All Wilkerson Type "A" 5 micron elements **meet or exceed ISO Class 3** for maximum particle size and concentration of solid contaminants.

Materials of Construction

Baffle	Plated Steel
Body	Aluminum
Bowls	Aluminum
Deflector	Plated Steel
Element Retainer	Plated Steel
Filter Element	Polyethylene
Seals	Fluorocarbon
Stud	Plated Steel

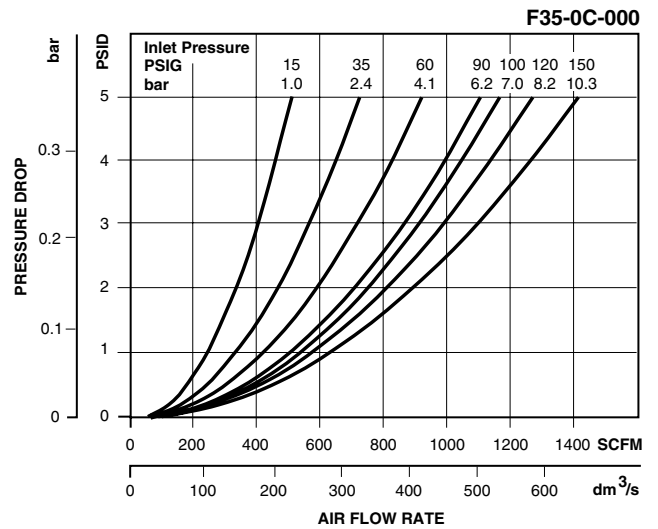
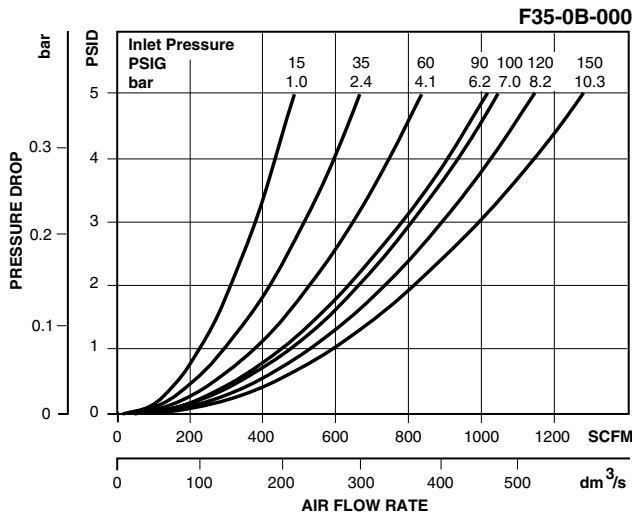
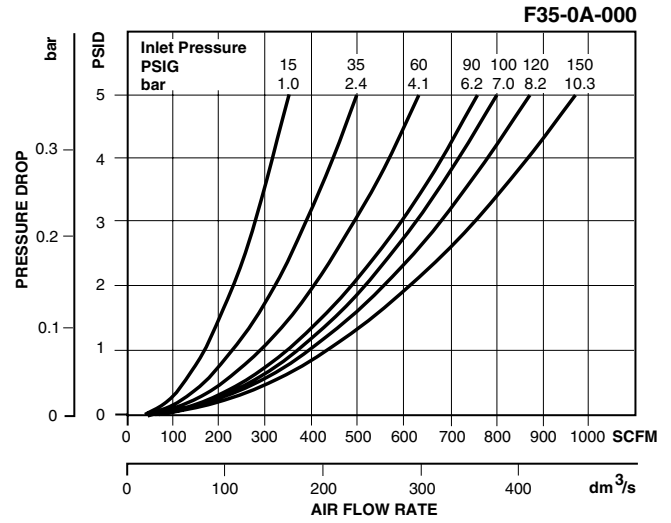
= "Most Popular"

Replacement Element Kit

Element, F35, 5 Micron, Fluorocarbon O-rings.....FRP-95-505

Accessories

- Cap, Differential Pressure Indicator –
For pressures over 150 PSIG..... GRP-95-022
- Drain, Automatic, Internal, Fluorocarbon,
1/8 NPT GRP-95-981
- Drain Plate Kit (.56 Dia.) –
For use with internal auto float drain..... GRP-95-391
- Drain Plate Kit –
1/4 NPT tapped drain port..... GRP-95-392
1/2 NPT tapped drain port GRP-95-393
- Gauge, Differential Pressure DP3-01-000
- Indicator, Differential Pressure DP2-01-001
- Manual Override for Auto Float Drain –
GRP-95-981 required..... GRP-96-000



Ordering Information

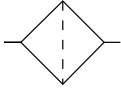
Model Type	Port Size	Metal Bowl	
Manual Drain	1-1/4	F35-0A-000	(Includes 1/2 NPT / BSPP-G Drain Plate)
	1-1/2	F35-0B-000	
	2	F35-0C-000	
Automatic Drain	1-1/4	F35-0A-F00 F35-0B-F00 F35-0C-F00	
	1-1/2		
	2		

Options - To order an option supplied with the unit model, add the appropriate coded suffix letter in the designated position of the model number.



Particulate Filter

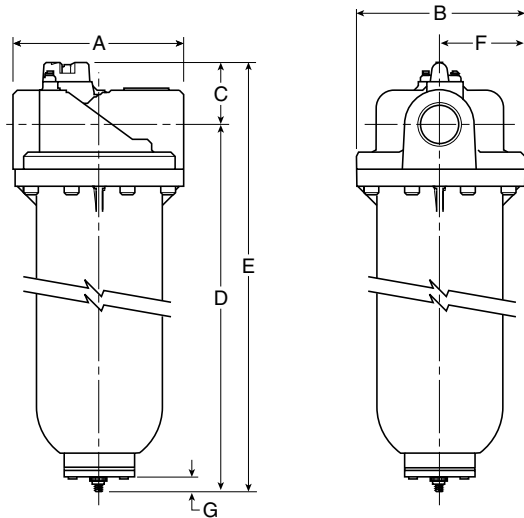
F36



F36-0C-000

Features

- Heavy-duty Cast Aluminum Housings to Withstand Operating Pressures Up to 300 PSIG*
- Differential Pressure Indicator to Eliminate the Guesswork of Element Replacement
- Unique Drain Mounting Plate Design Offers a Trouble-free Method for Interchanging and Installing External Drains
- 5 Micron High Flow Particulate Element



Dimensions

Models	Inches (mm)	A	B	C	D	E	F	G
Standard Unit F36-0C-000		7.80 (198)	7.76 (197)	2.83 (72)	19.51 (495.6)	22.34 (567)	3.87 (98.5)	.55 (14)

= "Most Popular"

Specifications

Flow Capacity*	2	1400 SCFM (660 dm ³ /s)
Maximum Supply Pressure	without DP2 with DP2	300 PSIG (20.7 bar)** 150 PSIG (10.3 bar)
Operating Temperature		32° to 150°F (0° to 65,5°C)
Port Size	NPT / BSPP-G	2
Standard Filtration	Micron	5
Useful Retention†	oz. (cm ³)	12.5 (370)
Weight	lb. (kg)	22.3 (10)

* Inlet pressure 150 PSIG (10.3 bar). Pressure drop of 5 PSID (0.3 bar).

** Without pressure indicator – Max. supply pressure is 300 PSIG (20.7 bar).

† Useful retention refers to volume below the quiet zone baffle.

"F" Series Filters, Type "A" 5 micron elements: All Wilkerson Type "A" 5 micron elements **meet or exceed ISO Class 3** for maximum particle size and concentration of solid contaminants.

Materials of Construction

Baffle	Plated Steel
Body	Aluminum
Bowls	Aluminum
Deflector	Plated Steel
Filter Element	Polyethylene
Seals	Fluorocarbon
Stud	Plated Steel

NOTE: Standard filter includes tapped 1/2 NPT / BSPP-G drain plate. To order internal float drain shown, order drain adapter plate GRP-95-391 and automatic drain GRP-95-981.

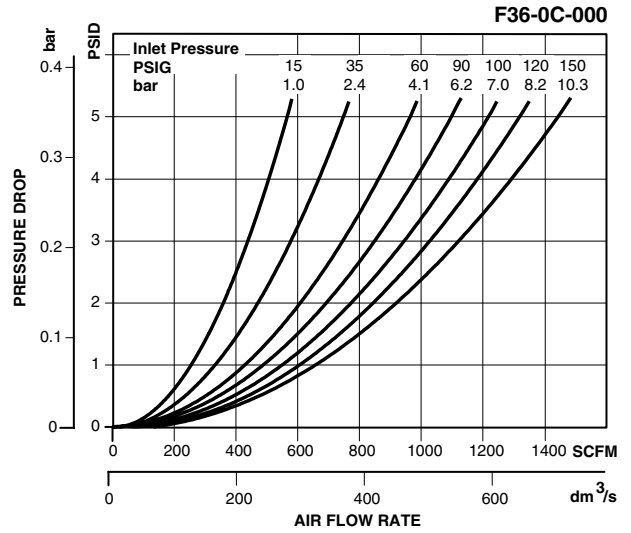
Replacement Element Kit

Element, F36, 5 Micron, Fluorocarbon O-rings.....FRP-95-506

Accessories

- Cap, Differential Pressure Indicator –
For pressures over 150 PSIG..... GRP-95-022
- Drain, Automatic, Internal, Fluorocarbon,
1/8 NPT GRP-95-981
- Drain Plate Kit (.56 Dia.) –
For use with internal auto float drain..... GRP-95-391
- Drain Plate Kit –
1/4 NPT tapped drain port..... GRP-95-392
1/2 NPT tapped drain port GRP-95-393
- Gauge, Differential Pressure DP3-01-000
- Indicator, Differential Pressure DP2-01-001
- Manual Override for Auto Float Drain –
GRP-95-981 required GRP-96-000

= "Most Popular"



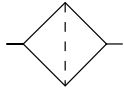
Ordering Information

Model Type	Port Size	Metal Bowl
F36	2	F36-0C-000 (Includes 1/2 NPT / BSPP-G Drain Plate)

Options - To order an option supplied with the unit model, add the appropriate coded suffix letter in the designated position of the model number.

Particulate Filter

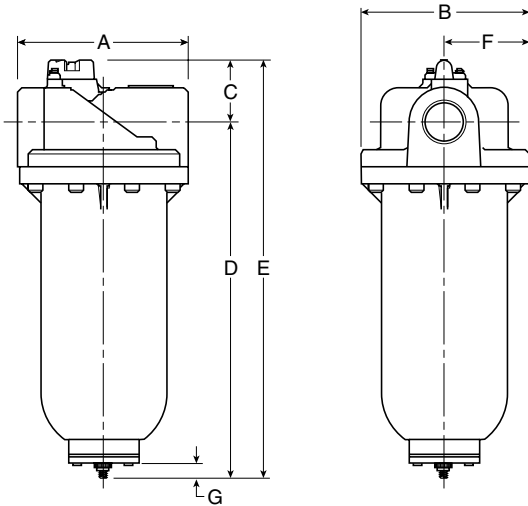
F43



F43-0E-000

Features

- Heavy-duty Cast Aluminum Housings to Withstand Operating Pressures Up to 300 PSIG*
- Differential Pressure Indicator to Eliminate the Guesswork of Element Replacement
- Unique Drain Mounting Plate Design Offers a Trouble-free Method for Interchanging and Installing External Drains
- 5 Micron High Flow Particulate Element



Dimensions

Models	Inches (mm)	A	B	C	D	E	F	G
Standard Unit F43-0E-000		8.94 (227)	8.88 (225.5)	3.48 (88)	25.96 (659.4)	29.44 (748)	4.44 (112.8)	.55 (14)

= "Most Popular"

Specifications

Flow Capacity*	3	2900 SCFM (1368 dm ³ /s)
Maximum Supply Pressure	without DP2 with DP2	300 PSIG (20.7 bar)** 150 PSIG (10.3 bar)
Operating Temperature	32° to 150°F (0° to 65.5°C)	
Port Size	NPT / BSPP-G	3
Standard Filtration	Micron	5
Useful Retention†	oz. (cm ³)	14 (418.7)
Weight	lb. (kg)	32.8 (14.9)

* Inlet pressure 150 PSIG (10.3 bar). Pressure drop of 5 PSID (0.3 bar).

** Without pressure indicator – Max. supply pressure is 300 PSIG (20.7 bar).

† Useful retention refers to volume below the quiet zone baffle.

"F" Series Filters, Type "A" 5 micron elements: All Wilkerson Type "A" 5 micron elements **meet or exceed ISO Class 3** for maximum particle size and concentration of solid contaminants.

Materials of Construction

Baffle	Plated Steel
Body	Aluminum
Bowls	Aluminum
Deflector	Plated Steel
Filter Element	Polyethylene
Seals	Fluorocarbon
Stud	Plated Steel

NOTE: Standard filter includes tapped 1/2 NPT / BSPP-G drain plate. To order internal float drain shown, order drain adapter plate GRP-95-391 and automatic drain GRP-95-981.

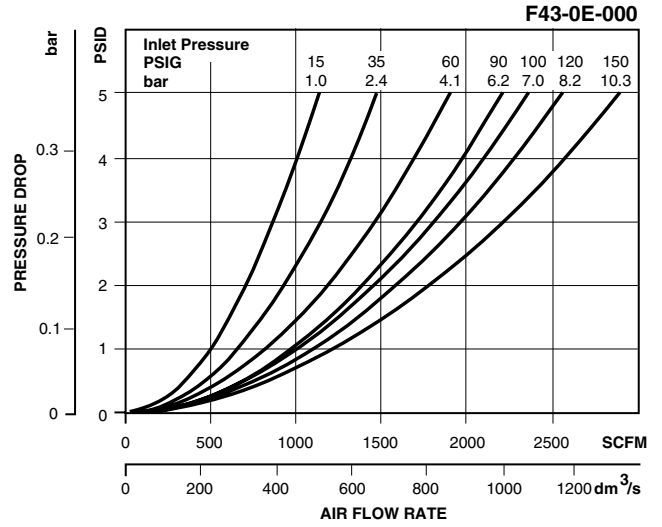
= "Most Popular"

Replacement Element Kit

Element, F43, 5 Micron, Fluorocarbon O-rings.....FRP-95-508

Accessories

- Cap, Differential Pressure Indicator –
For pressures over 150 PSIG..... GRP-95-022
- Drain, Automatic, Internal, Fluorocarbon,
1/8 NPT GRP-95-981
- Drain Plate Kit (.56 Dia.) –
For use with internal auto float drain..... GRP-95-391
- Drain Plate Kit –
1/4 NPT tapped drain port..... GRP-95-392
1/2 NPT tapped drain port GRP-95-393
- Gauge, Differential Pressure DP3-01-000
- Indicator, Differential Pressure DP2-01-001
- Manual Override for Auto Float Drain –
GRP-95-981 required GRP-96-000



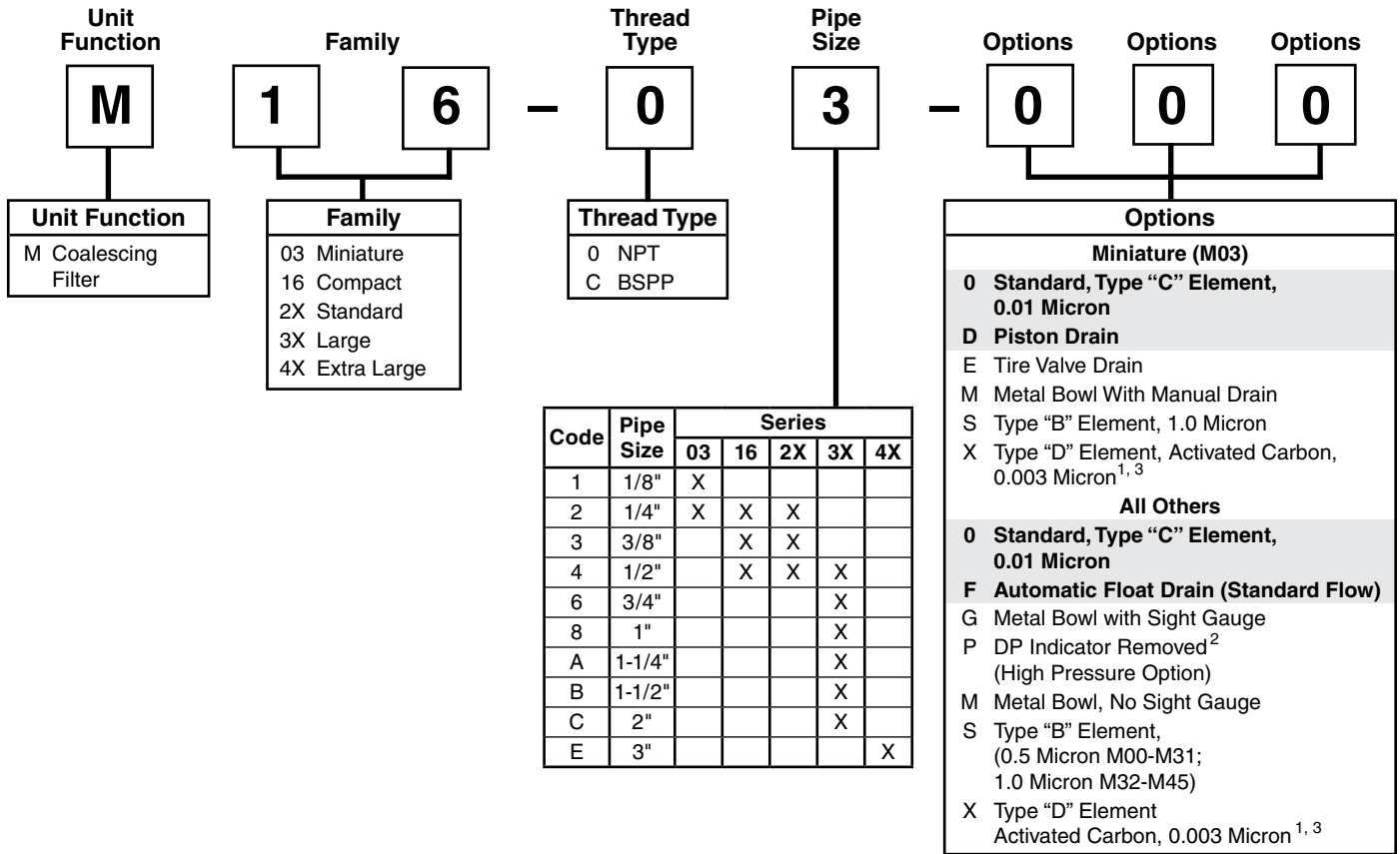
Ordering Information

Model Type	Port Size	Metal Bowl
F43	3	F43-0E-000 (Includes 1/2 NPT / BSPP-G Drain Plate)

Options - To order an option supplied with the unit model, add the appropriate coded suffix letter in the designated position of the model number.

Notes

Coalescing Filter Numbering System = "Most Popular"



¹ Auto Float Drains not available with M00-, M16, M26- units with Type "D" Activated Carbon Elements.

² Except Models M00 and M5X.

³ Units with Type "D" element do not contain DP indicator.

"M" Series Coalescing Filters, with Type "B" 0.5 micron elements:
All Wilkerson Type "M" Oil Removal (Coalescing) Filters with Type "B" 0.5 micron elements **exceed ISO** Class 2 for maximum particle size and concentration of solid contaminants, and exceed Class 3 on maximum oil content (ppm/wt).

"M" Series Coalescing Filters, with Type "C" 0.01 micron elements:
All Wilkerson Type "M" Oil Removal (Coalescing) Filters with Type "C" 0.01 micron elements **exceed ISO** Class 1 for maximum particle size and concentration of solid contaminants, and exceed Class 1 on maximum oil content (ppm/wt).

"M" Series Adsorption Filters, with Type "D" activated carbon elements: All Wilkerson Type "M" adsorption filters with Type "D" activated carbon elements **exceed ISO** Class 1 on maximum oil content (ppm/wt).

NOTE: All classes above refer to International Standards Organization (ISO) standard 8573-1:1991(E), pertaining to maximum particle size and concentration of solid contaminants, and maximum oil content.

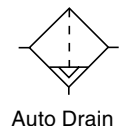
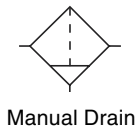
If more than one option is desired, arrange them in alphabetical order in positions 6, 7, and 8.

NOTE: 000 in position 6, 7, and 8 signifies standard product.



Coalescing Filter

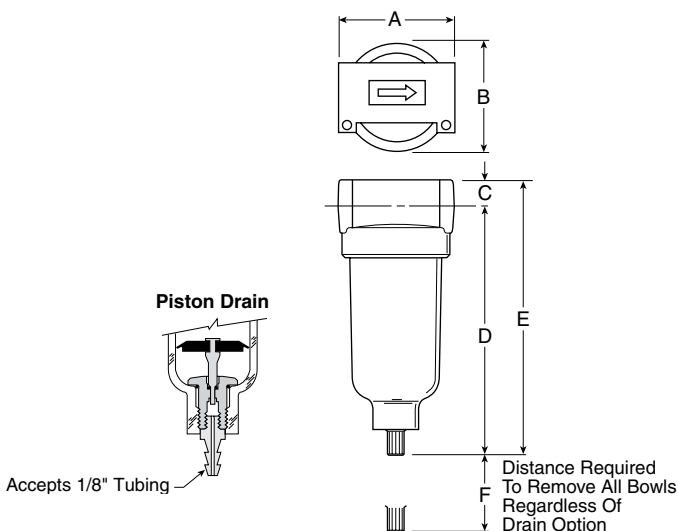
M03



M03-02-000

Features

- Removes Liquid Aerosols and Sub-micron Particles
- Liquids Gravitate to the Bottom of the Element and Will Not Re-enter the Airstream
- Oil Free Air for Critical Applications, such as Air Gauging and Pneumatic Instrumentation and Controls



= "Most Popular"

Specifications

Flow Capacity*	1/8	17.0 SCFM (8 dm ³ /s)
	1/4	20.0 SCFM (9 dm ³ /s)
Maximum Supply Pressure		
Polycarbonate Bowl		0 to 150 PSIG (0 to 10.3 bar)
Metal Bowl		0 to 250 PSIG (0 to 17.2 bar)
Piston Drain		10 to 250 PSIG (0.7 to 17.2 bar)
Operating Temperature		
Polycarbonate Bowl		32°F to 125°F (0°C to 52°C)
Metal Bowl		32°F to 175°F (0°C to 80°C)
Piston Drain		32°F to 125°F (6°C to 52°C)
Port Size	NPT	1/8, 1/4
Standard Filtration	Micron	(B) 1.0, (C) 0.01 (D) 0.003 ppm / wt **
Weight	lb. (kg)	.41 (.18)
Bowl Capacity		1 Ounce

* Inlet pressure 90 PSIG (6.2 bar). Pressure drop 5 PSID (0.3 bar).

"M" Series Coalescing Filters, with Type "B" 0.5 micron elements: All Wilkerson Type "M" Oil Removal (Coalescing) Filters with Type "B" 0.5 micron elements **exceed ISO Class 2** for maximum particle size and concentration of solid contaminants, and exceed Class 3 on maximum oil content (ppm/wt).

"M" Series Coalescing Filters, with Type "C" 0.01 micron elements: All Wilkerson Type "M" Oil Removal (Coalescing) Filters with Type "C" 0.01 micron elements **exceed ISO Class 1** for maximum particle size and concentration of solid contaminants, and exceed Class 1 on maximum oil content (ppm/wt).

"M" Series Adsorption Filters, with Type "D" activated carbon elements: All Wilkerson Type "M" adsorption filters with Type "D" activated carbon elements **exceed ISO Class 1** on maximum oil content (ppm/wt).

Materials of Construction

Body	Zinc
Bowls – Transparent	Polycarbonate
Metal (Without Sight Gauge)	Zinc
Deflector, Element Holder & Baffle	Plastic
Drains	
Manual Drain –	
Body & Stem	Plastic
Seals	Nitrile
Piston Drain –	
Piston & Seals	Nitrile
Stem, Seat, Adaptor & Washers	Aluminum
Filter Elements – 5 Micron	Plastic
Seals	Nitrile

Dimensions

Models	Inches (mm)	A	B	C	D	E	F
Standard Unit M03-XX-000		1.69 (43)	1.53 (39)	.39 (10)	3.82 (97)	4.21 (107)	1.60 (41)
Piston Drain M03-XX-D00		1.69 (43)	1.53 (39)	.39 (10)	3.87 (99)	4.26 (108)	1.60 (41)

= "Most Popular"

Replacement Bowl Kits

Metal Bowl –
 Manual DrainPS451B
 Piston Drain PS447B

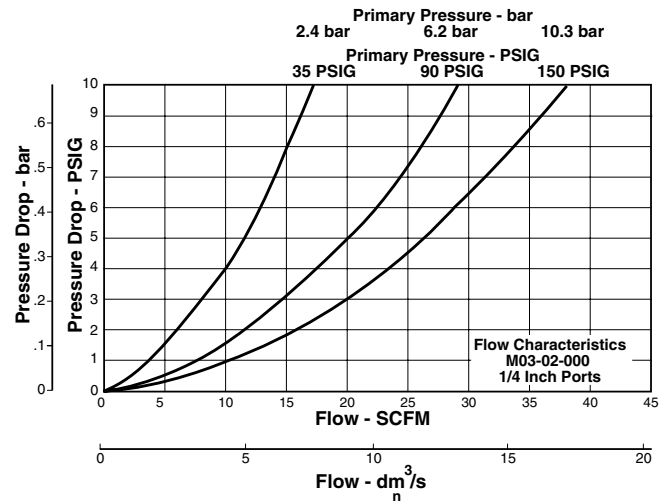
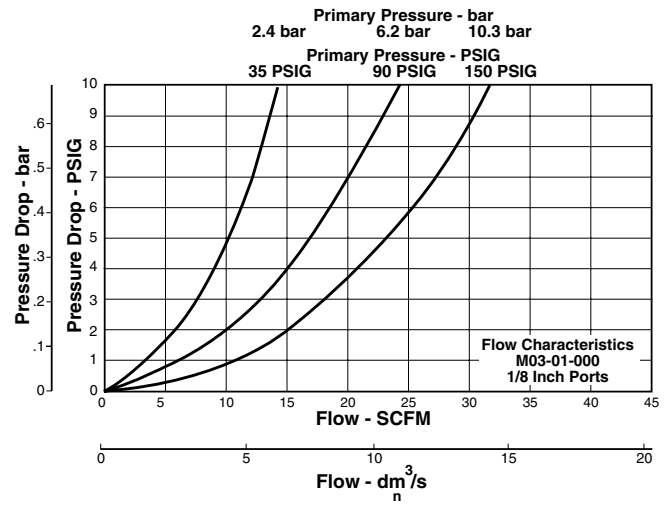
Plastic Bowl –
 Manual DrainPS404
 Piston Drain PS408B

Replacement Element Kits

Type "B", 1.0 Micron.....MSP-95-988
 Type "C", 0.01 Micron.....MTP-95-548
 Type "D", Oil Vapor Removing.....MXP-95-987

Accessories

Mounting Bracket Kit.....PS417B



E

Ordering Information

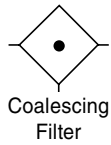
Model Type	Port Size	Polycarbonate Bowl / "C" Element	Metal Bowl / "C" Element	Polycarbonate Bowl / "B" Micron Element	Polycarbonate Bowl / "D" Element
Manual Drain	1/8	M03-01-000	M03-01-M00	M03-01-S00	M03-01-X00
	1/4	M03-02-000	M03-02-M00	M03-02-S00	M03-02-X00

Options - To order an option supplied with the unit model, add the appropriate coded suffix letter in the designated position of the model number.

Coalescing Filter

M16

= "Most Popular"



M16-02-000

Features

- Manual Drain
- 0.01 Micron Rated Filter Element
- Quick-disconnect Bowl Guard with Integral Plastic Bowl and Safety Latch
- Differential Pressure Indicator Standard

Specifications

Flow Capacity *	1/4	37.0 SCFM (17.5 dm ³ /s)
	3/8	44.7 SCFM (21.0 dm ³ /s)
	1/2	46.1 SCFM (21.7 dm ³ /s)
Maximum Supply Pressure	Plastic Bowl	150 PSIG (10.3 bar)
	Metal Bowl	200 PSIG (13.8 bar)
Operating Temperature	Plastic Bowl	32° to 125°F (0° to 52°C)
	Metal Bowl	32° to 150°F (0° to 65.5°C)
Port Size	NPT / BSPP-G 1/4, 3/8, 1/2	
Standard Filtration	Micron	(B) 0.5, (C) 0.01
		(D) 0.003 ppm / wt **
Useful Retention †	oz. (cm ³)	2.7 (81)
Weight	lb. (kg)	1.8 (0.8)

* Inlet pressure 150 PSIG (10.3 bar). Pressure drop 3 PSID (0.2 bar).

** Filtration temperature of 70°F (21°C) @100 PSIG (6.9 bar) with typical compressor lubricating oil and protected by Type "C" filter.

† Useful retention refers to volume below the quiet zone baffle.

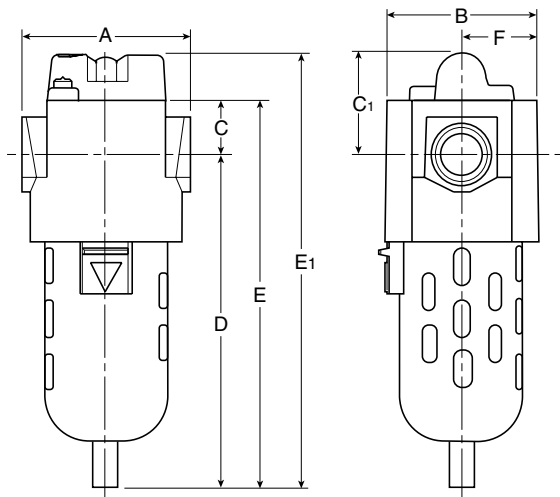
"M" Series Coalescing Filters, with Type "B" 0.5 micron elements: All Wilkerson Type "M" Oil Removal (Coalescing) Filters with Type "B" 0.5 micron elements **exceed ISO Class 2** for maximum particle size and concentration of solid contaminants, and exceed Class 3 on maximum oil content (ppm/wt).

"M" Series Coalescing Filters, with Type "C" 0.01 micron elements: All Wilkerson Type "M" Oil Removal (Coalescing) Filters with Type "C" 0.01 micron elements **exceed ISO Class 1** for maximum particle size and concentration of solid contaminants, and exceed Class 1 on maximum oil content (ppm/wt).

"M" Series Adsorption Filters, with Type "D" activated carbon elements: All Wilkerson Type "M" adsorption filters with Type "D" activated carbon elements **exceed ISO Class 1** on maximum oil content (ppm/wt).

Materials of Construction

Body	Zinc	
Bowls	Plastic Bowl	Polycarbonate
	Metal Bowl	Zinc
Element Retainer	Brass Stud	
Filter Elements	Type "B", "C"	Borosilicate Cloth
	Type "D"	Activated Carbon
Seals	Fluorocarbon	



Dimensions

Models	Inches (mm)	A	B	C	C ₁	D	E	E ₁	F
Standard Unit M16-XX-000		3.00 (76)	2.60 (66)	1.00 (25.4)	1.83 (46.5)	5.67 (144)	6.67 (169)	7.50 (190.5)	1.30 (33)
Automatic Drain M16-XX-F00		3.00 (76)	2.60 (66)	1.00 (25.4)	1.83 (46.5)	5.81 (148)	6.81 (173)	7.64 (190.5)	1.30 (33)

 = "Most Popular"

Replacement Bowl Kits

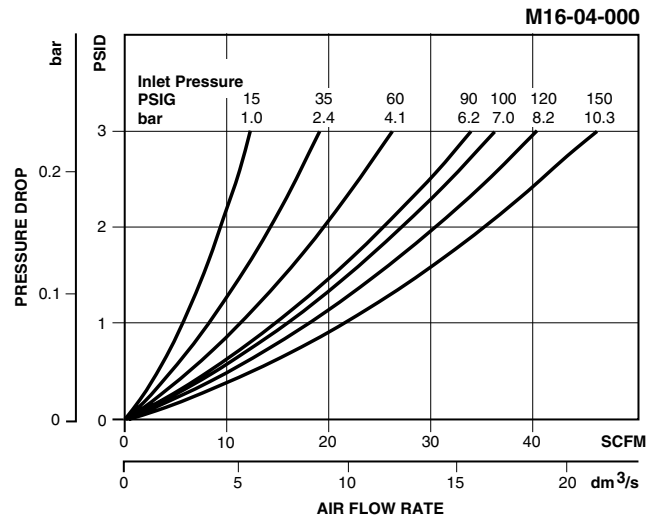
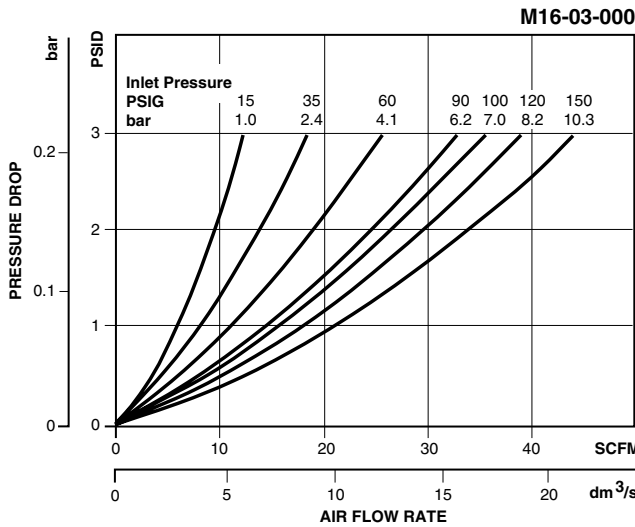
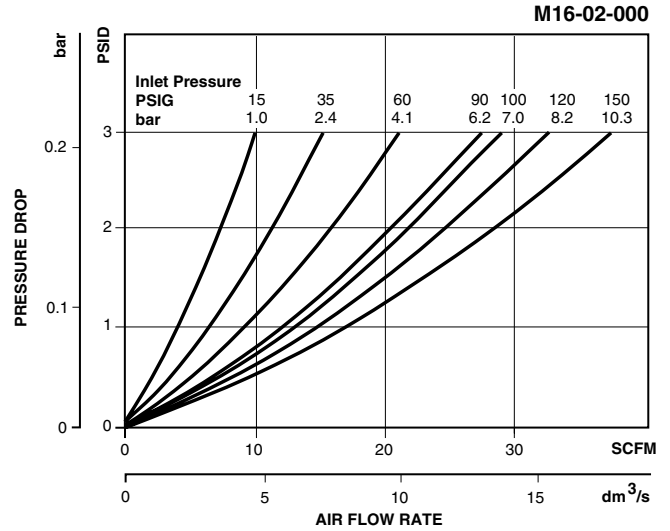
- Metal Bowl –
 - Automatic DrainFRP-95-950
 - Manual DrainFRP-95-178
- Plastic Bowl –
 - Bowl Guard, Auto Drain.....FRP-95-015
 - Bowl Guard, Manual Drain.....FRP-95-014
 - Manual DrainFRP-95-017

Replacement Element Kits

- Type "B", 0.5 Micron.....MSP-95-988
- Type "C", 0.01 Micron.....MTP-95-548
- Type "D", Oil Vapor Removing.....MXP-95-987

Accessories

- Automatic Mechanical Drain.....GRP-95-973
- Cap, Differential Pressure Indicator –
 - For pressures over 150 PSIG.....GRP-95-020
- Differential Pressure IndicatorDP2-01-000
- Manual Drain.....FRP-95-610
- Sight Gauge Kit.....GRP-95-079
- Wall Mounting Bracket, L-TypeGRP-95-016



Ordering Information

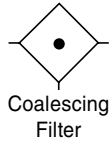
Model Type	Port Size	Polycarbonate Bowl / Bowl Guard / "C" Element	Metal Bowl / "C" Element	Polycarbonate Bowl / Bowl Guard / "B" Element	Polycarbonate Bowl / Bowl Guard / "D" Element (No DPI)
Manual Drain	1/4	M16-02-000	M16-02-M00	M16-02-S00	M16-02-X00
	3/8	M16-03-000	M16-03-M00	M16-03-S00	M16-03-X00
	1/2	M16-04-000	M16-04-M00	M16-04-S00	M16-04-X00
Automatic Drain	1/4	M16-02-F00	M16-02-FM0	M16-02-FS0	—
	3/8	M16-03-F00	M16-03-FM0	M16-03-FS0	—
	1/2	M16-04-F00	M16-04-FM0	M16-04-FS0	—

Options - To order an option supplied with the unit model, add the appropriate coded suffix letter in the designated position of the model number.

Coalescing Filter

M21

= "Most Popular"



M21-03-000

Features

- Manual Drain
- 0.01 Micron Rated Filter Element
- Quick-disconnect Bowl Guard with Integral Plastic Bowl and Safety Latch
- Differential Pressure Indicator

Specifications

Flow Capacity *	3/8	95.4 SCFM (45.0 dm ³ /s)
Maximum Supply Pressure	Plastic Bowl	150 PSIG (10.3 bar)
Operating Temperature	Plastic Bowl	32° to 125°F (0° to 52°C)
Port Size	NPT / BSPP-G	3/8
Standard Filtration	Micron	(B) 0.5, (C) 0.01 (D) 0.003 ppm / wt **
Useful Retention †	oz. (cm ³)	3.9 (116)
Weight	lb. (kg)	3.7 (1.68)

* Inlet pressure 150 PSIG (10.3 bar). Pressure drop of 3 PSID (0.2 bar).

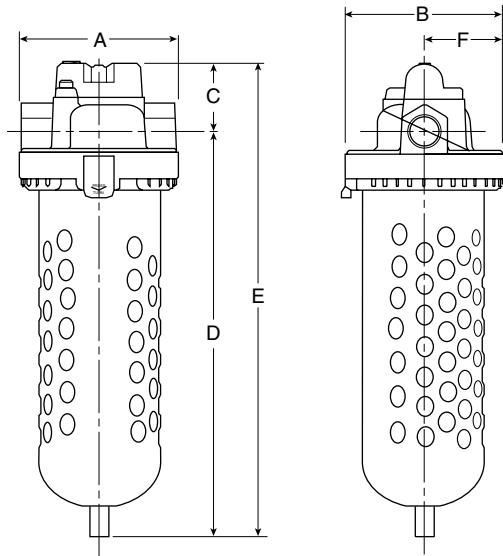
** Filtration temperature of 70°F (21°C) @100 PSIG (6.9 bar) with typical compressor lubricating oil and protected by Type "C" filter.

† Useful retention refers to volume below the quiet zone baffle.

"M" Series Coalescing Filters, with Type "B" 0.5 micron elements: All Wilkerson Type "M" Oil Removal (Coalescing) Filters with Type "B" 0.5 micron elements **exceed ISO Class 2** for maximum particle size and concentration of solid contaminants, and exceed Class 3 on maximum oil content (ppm/wt).

"M" Series Coalescing Filters, with Type "C" 0.01 micron elements: All Wilkerson Type "M" Oil Removal (Coalescing) Filters with Type "C" 0.01 micron elements **exceed ISO Class 1** for maximum particle size and concentration of solid contaminants, and exceed Class 1 on maximum oil content (ppm/wt).

"M" Series Adsorption Filters, with Type "D" activated carbon elements: All Wilkerson Type "M" adsorption filters with Type "D" activated carbon elements **exceed ISO Class 1** on maximum oil content (ppm/wt).



Materials of Construction

Body	Zinc	
Bowl	Polycarbonate	
Element Retainer	Brass Stud	
Filter Elements	Type "B", "C" Type "D"	Borosilicate Cloth Activated Carbon
Seals	Fluorocarbon	

Dimensions

Models	Inches (mm)	A	B	C	D	E	F
Standard Unit M21-03-000		3.70 (94)	3.79 (96.5)	1.70 (43.2)	9.20 (233.7)	10.90 (276.9)	1.89 (48.1)
Automatic Drain M21-03-F00		3.70 (94)	3.79 (96.5)	1.70 (43.2)	9.34 (237)	11.04 (280)	1.89 (48.1)

= "Most Popular"

Replacement Bowl Kits

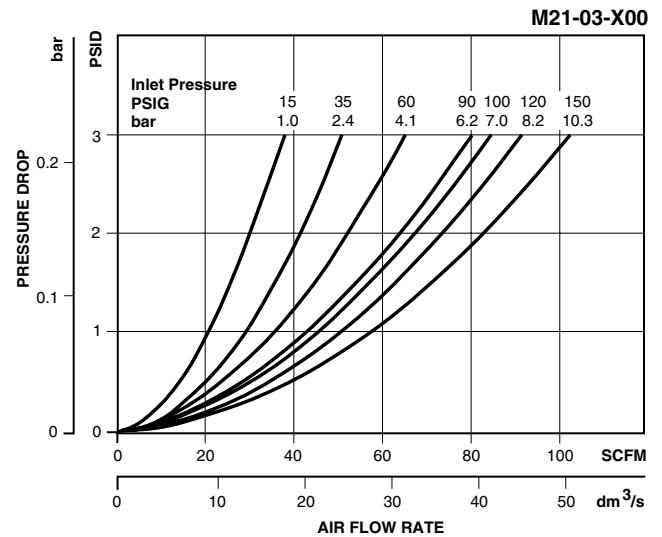
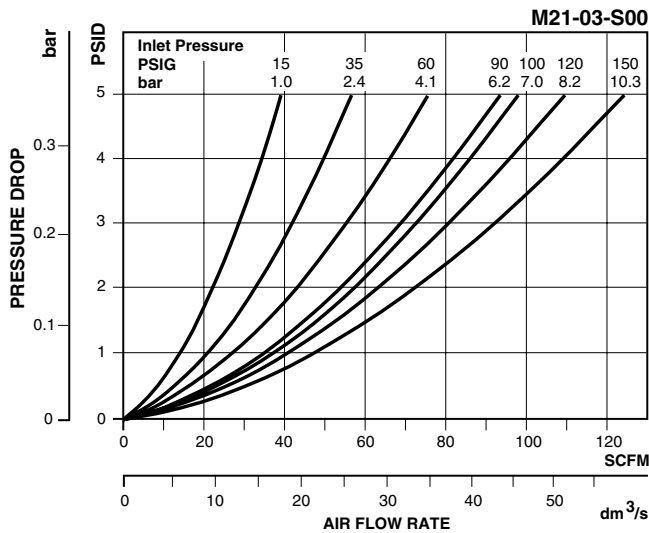
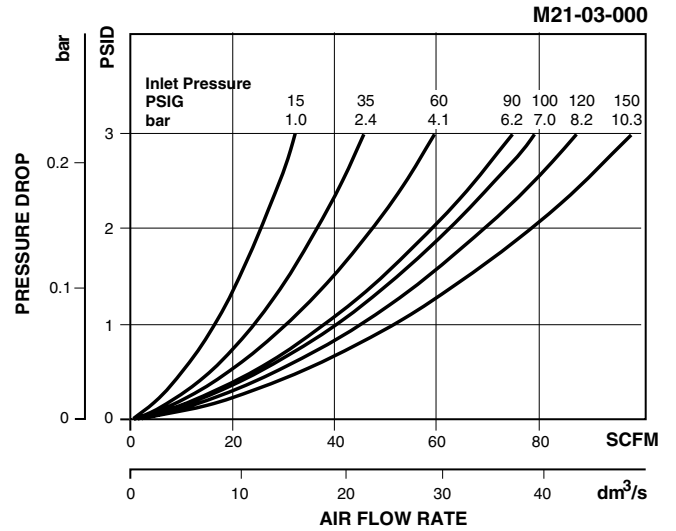
- Plastic Bowl –
- Bowl Guard, Manual Drain FRP-95-722
- Bowl Guard, Automatic Drain MRP-95-722

Replacement Element Kits

- Type "B", 0.5 Micron MSP-95-990
- Type "C", 0.01 Micron MTP-95-550
- Type "D", Oil Vapor Removing MXP-95-537

Accessories

- Automatic Drain GRP-95-973
- Cap, Differential Pressure Indicator –
- For pressures over 150 PSIG GRP-95-020
- Differential Pressure Indicator DP2-01-000
- Manual Flex-Tip FRP-95-610
- Wall Mounting Bracket, U-bolt Pipe Clamp GRP-95-734



E

Ordering Information

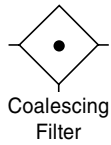
Model Type	Port Size	Polycarbonate Bowl / Bowl Guard / "C" Element
Manual Drain	3/8	M21-03-000
Automatic Drain	3/8	M21-03-F00

Options - To order an option supplied with the unit model, add the appropriate coded suffix letter in the designated position of the model number.

Coalescing Filter

M26

= "Most Popular"



M26-02-000

Features

- Manual Drain
- 0.01 Micron Rated Filter Element
- Quick-disconnect Bowl Guard with Integral Plastic Bowl and Safety Latch
- Differential Pressure Indicator

Specifications

Flow Capacity *	1/4	55.0 SCFM (25.9 dm ³ /s)
	3/8	65.5 SCFM (30.9 dm ³ /s)
	1/2	79.5 SCFM (37.5 dm ³ /s)
Operating Temperature	Plastic Bowl	32° to 125°F (0° to 52°C)
	Metal Bowl	32° to 150°F (0° to 65.5°C)
Maximum Supply Pressure	Plastic Bowl	150 PSIG (10.3 bar)
	Metal Bowl	200 PSIG (13.8 bar)
Standard Filtration	Micron	(B) 0.5, (C) 0.01 (D) 0.003 ppm / wt **
Useful Retention †	oz. (cm ³)	1.7 (51.5)
Port Size	NPT / BSPP-G	1/4, 3/8, 1/2
Weight	lb. (kg)	2.4 (1.1)

* Inlet pressure 150 PSIG (10.3 bar). Pressure drop of 3 PSID (0.2 bar).

** Filtration temperature of 70°F (21°C) @ 100 PSIG (6.9 bar) with typical compressor lubricating oil and protected by Type "C" filter.

† Useful retention refers to volume below the quiet zone baffle.

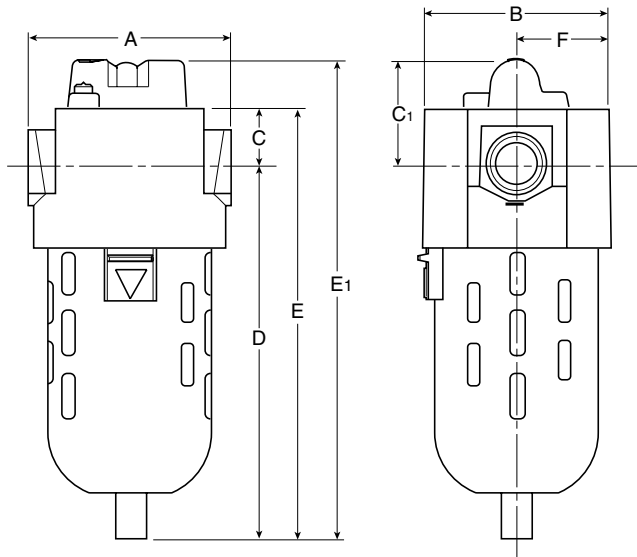
"M" Series Coalescing Filters, with Type "B" 0.5 micron elements: All Wilkerson Type "M" Oil Removal (Coalescing) Filters with Type "B" 0.5 micron elements **exceed ISO Class 2** for maximum particle size and concentration of solid contaminants, and exceed Class 3 on maximum oil content (ppm/wt).

"M" Series Coalescing Filters, with Type "C" 0.01 micron elements: All Wilkerson Type "M" Oil Removal (Coalescing) Filters with Type "C" 0.01 micron elements **exceed ISO Class 1** for maximum particle size and concentration of solid contaminants, and exceed Class 1 on maximum oil content (ppm/wt).

"M" Series Adsorption Filters, with Type "D" activated carbon elements: All Wilkerson Type "M" adsorption filters with Type "D" activated carbon elements **exceed ISO Class 1** on maximum oil content (ppm/wt).

Materials of Construction

Body	Zinc	
Bowls	Plastic Bowl	Polycarbonate
	Metal Bowl	Zinc
Element Retainer	Brass Stud	
Filter Elements	Type "B", "C"	Borosilicate Cloth
	Type "D"	Activated Carbon
Seals	Fluorocarbon	



Dimensions

Models	Inches (mm)	A	B	C	C ₁	D	E	E ₁	F
Standard Unit F26-XX-000		3.30 (84)	3.00 (76)	1.00 (25.4)	1.83 (46.5)	6.40 (162.6)	7.40 (188)	8.23 (209)	1.50 (38)
Automatic Drain F26-XX-F00		3.30 (84)	3.00 (76)	1.00 (25.4)	1.83 (46.5)	6.54 (166)	7.54 (191.5)	8.37 (212.5)	1.50 (38)

= "Most Popular"

Replacement Bowl Kits

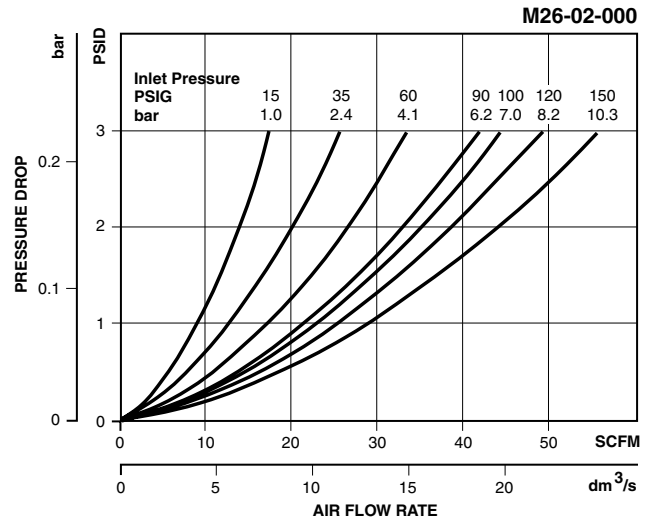
- Metal Bowl –
 - Manual Drain GRP-95-930
 - Auto Drain..... GRP-95-960
- Plastic Bowl –
 - Manual Drain GRP-95-929
 - Bowl Guard, Manual Drain..... GRP-95-935
 - Bowl Guard, Auto Drain..... GRP-95-948

Replacement Element Kits

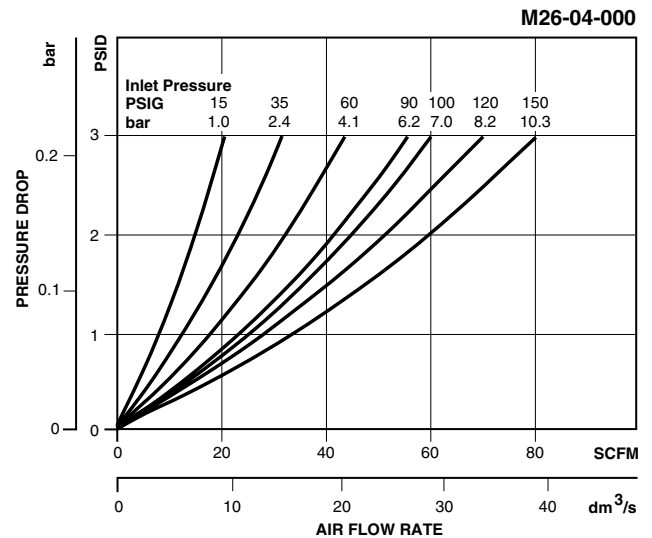
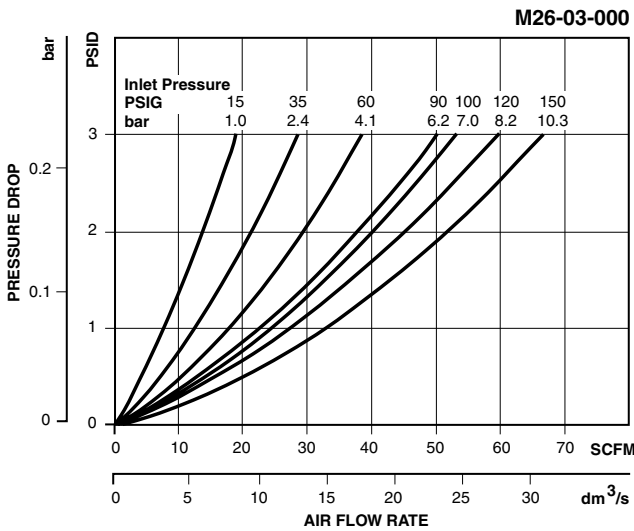
- Type "B", 0.5 Micron..... MSP-95-989
- Type "C", 0.01 Micron..... MTP-95-549
- Type "D", Oil Vapor Removing..... MXP-95-540

Accessories

- Automatic Mechanical Drain..... GRP-95-973
- Cap, Differential Pressure Indicator –
 - For pressures over 150 PSIG..... GRP-95-020
- Differential Pressure Indicator DP2-01-000
- Manual Flex-Tip..... FRP-95-610
- Sight Gauge Kit..... GRP-95-079
- Wall Mounting Bracket, L-Type GPA-95-946



E



Ordering Information

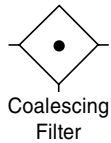
Model Type	Port Size	Polycarbonate Bowl / Bowl Guard / "C" Element	Metal Bowl / "C" Element	Polycarbonate Bowl / Bowl Guard / "B" Element	Polycarbonate Bowl / Bowl Guard / "D" Element (No DPI)
Manual Drain	1/4	M26-02-000	M26-02-M00	M26-02-S00	M26-02-X00
	3/8	M26-03-000	M26-03-M00	M26-03-S00	M26-03-X00
	1/2	M26-04-000	M26-04-M00	M26-04-S00	M26-04-X00
Automatic Drain	1/4	M26-02-F00	M26-02-FM0	M26-02-FS0	—
	3/8	M26-03-F00	M26-03-FM0	M26-03-FS0	—
	1/2	M26-04-F00	M26-04-FM0	M26-04-FS0	—

Options - To order an option supplied with the unit model, add the appropriate coded suffix letter in the designated position of the model number.

Coalescing Filter

M30

= "Most Popular"



M30-04-000

Features

- Manual Drain
- 0.01 Micron Rated Filter Element
- Quick-disconnect Bowl Guard with Integral Plastic Bowl and Safety Latch
- Differential Pressure Indicator

Specifications

Flow Capacity *	1/2	123 SCFM (58.2 dm ³ /s)
	3/4	173 SCFM (81.0 dm ³ /s)
	1	203 SCFM (96.0 dm ³ /s)
Operating Temperature	Plastic Bowl	32° to 125°F (0° to 52°C)
	Metal Bowl	32° to 150°F (0° to 65.5°C)
Maximum Supply Pressure	Plastic Bowl	150 PSIG (10.3 bar)
	Metal Bowl	200 PSIG (13.8 bar)
Standard Filtration	Micron	(B) 0.5, (C) 0.01
		(D) 0.003 ppm / wt **
Useful Retention †	oz. (cm ³)	2.0 (59.8)
Port Size	NPT / BSPP-G	1/2, 3/4, 1
Weight	lb. (kg)	5.4 (2.4)

* Inlet pressure 150 PSIG (10.3 bar). Pressure drop of 3 PSID (0.2 bar).

** Filtration temperature of 70°F (21°C) @100 PSIG (6.9 bar) with typical compressor lubricating oil and protected by Type "C" filter.

† Useful retention refers to volume below the quiet zone baffle.

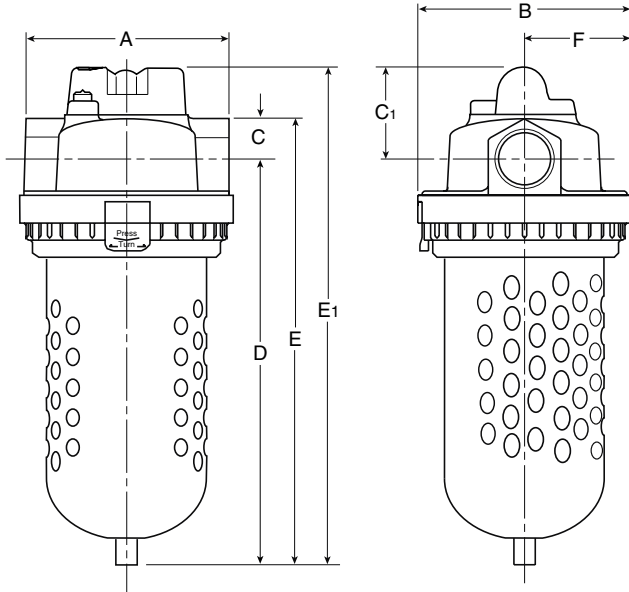
"M" Series Coalescing Filters, with Type "B" 0.5 micron elements: All Wilkerson Type "M" Oil Removal (Coalescing) Filters with Type "B" 0.5 micron elements **exceed ISO Class 2** for maximum particle size and concentration of solid contaminants, and exceed Class 3 on maximum oil content (ppm/wt).

"M" Series Coalescing Filters, with Type "C" 0.01 micron elements: All Wilkerson Type "M" Oil Removal (Coalescing) Filters with Type "C" 0.01 micron elements **exceed ISO Class 1** for maximum particle size and concentration of solid contaminants, and exceed Class 1 on maximum oil content (ppm/wt).

"M" Series Adsorption Filters, with Type "D" activated carbon elements: All Wilkerson Type "M" adsorption filters with Type "D" activated carbon elements **exceed ISO Class 1** on maximum oil content (ppm/wt).

Materials of Construction

Body	Zinc	
Bowls	Plastic Bowl	Polycarbonate
	Metal Bowl	Aluminum
Element Retainer	Brass Stud	
Filter Elements	Type "B", "C"	Borosilicate Cloth
	Type "D"	Activated Carbon
Seals	Fluorocarbon	



Dimensions

Models	Inches (mm)	A	B	C	C ₁	D	E	E ₁	F
Standard Unit M30-XX-000		4.61 (117)	4.80 (122)	.94 (24)	1.77 (44.9)	9.13 (232)	10.07 (255.8)	10.90 (270)	2.40 (61)
Automatic Drain M30-XX-F00		4.61 (117)	4.80 (122)	.94 (24)	1.77 (44.9)	9.27 (235)	10.21 (259)	11.04 (273.5)	2.40 (61)
Metal Bowl M30-XX-M00		4.61 (117)	4.80 (122)	.94 (24)	1.77 (44.9)	8.73 (221.7)	9.67 (245.6)	10.50 (267)	2.40 (61)

= "Most Popular"

Replacement Bowl Kits

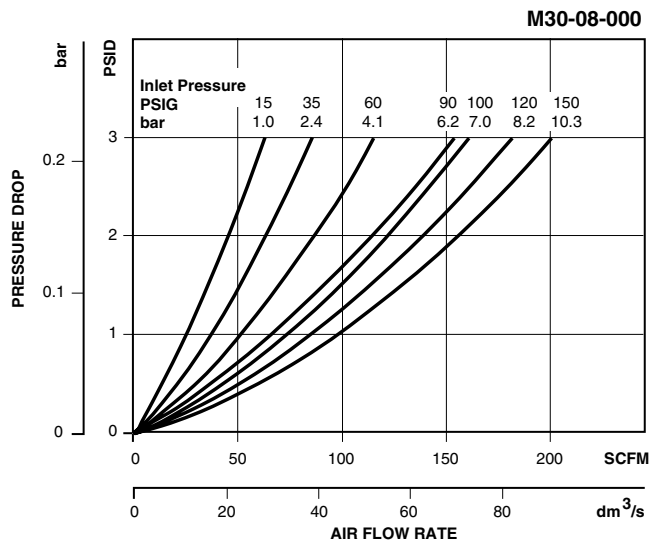
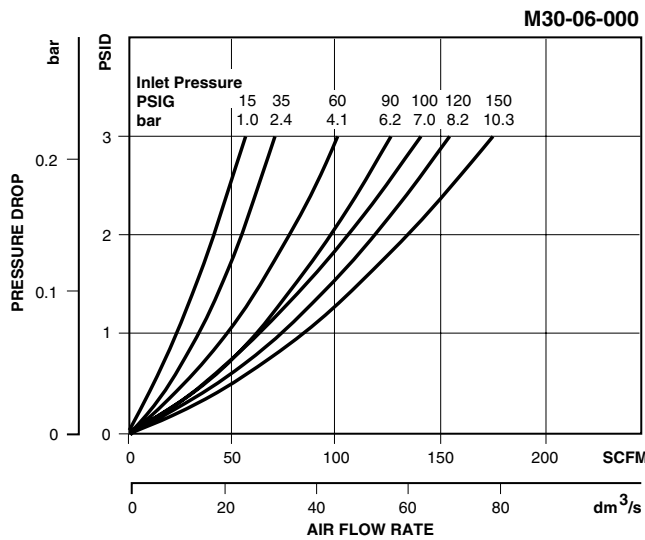
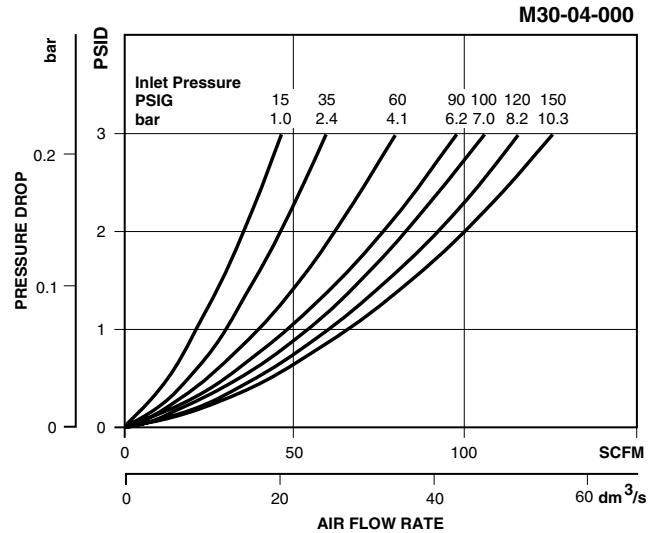
- Metal Bowl –
 Manual DrainFRP-95-593
 Auto Drain.....GRP-95-970
- Plastic Bowl –
 Manual DrainFRP-96-315
 Bowl Guard, Manual Drain.....FRP-95-832
 Bowl Guard, Auto Drain.....FRP-95-775

Replacement Element Kits

- Type "B", 0.5 Micron.....MSP-95-992
 Type "C", 0.01 Micron.....MTP-95-551
 Type "D", Oil Vapor Removing.....MXP-95-532

Accessories

- Automatic Mechanical Drain.....GRP-95-973
 Cap, Differential Pressure Indicator –
 For pressures over 150 PSIG.....GRP-95-020
 Differential Pressure IndicatorDP2-01-000
 Manual Flex-Tip.....FRP-95-610
 Sight Gauge Kit.....LRP-95-771
 Wall Mounting Bracket, U-Bolt Pipe Clamp.....GRP-95-734



E

Ordering Information

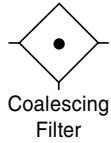
Model Type	Port Size	Polycarbonate Bowl / Bowl Guard / "C" Element	Metal Bowl / "C" Element	Polycarbonate Bowl / Bowl Guard / "B" Element	Polycarbonate Bowl / Bowl Guard / "D" Element (No DPI)
Manual Drain	1/2	M30-04-000	M30-04-M00	M30-04-S00	M30-04-X00
	3/4	M30-06-000	M30-06-M00	M30-06-S00	M30-06-X00
	1	M30-08-000	M30-08-M00	M30-08-S00	M30-08-X00
Automatic Drain	1/2	M30-04-F00	M30-04-FM0	M30-04-FS0	—
	3/4	M30-06-F00	M30-06-FM0	M30-06-FS0	—
	1	M30-08-F00	M30-08-FM0	M30-08-FS0	—

Options - To order an option supplied with the unit model, add the appropriate coded suffix letter in the designated position of the model number.

Coalescing Filter

M31

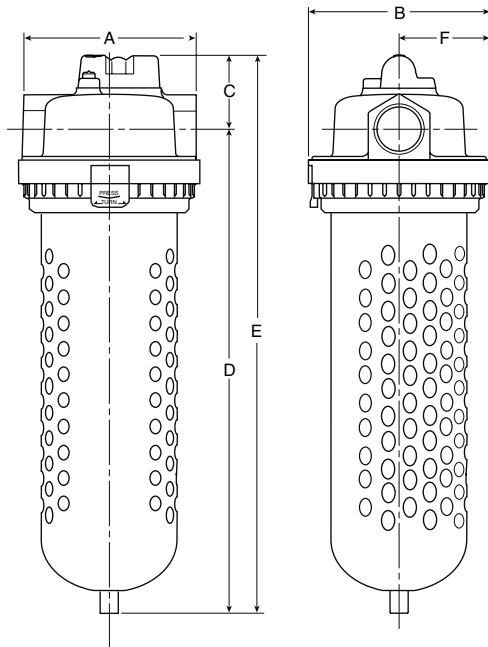
= "Most Popular"



M31-06-000

Features

- Manual Drain
- 0.01 Micron Rated Filter Element
- Quick-disconnect Bowl Guard with Integral Plastic Bowl and Safety Latch
- Differential Pressure Indicator



Specifications

Flow Capacity *	3/4 1	215 SCFM (101.4 dm ³ /s) 277 SCFM (130.8 dm ³ /s)
Maximum Supply Pressure	Plastic Bowl Metal Bowl	150 PSIG (10.3 bar) 200 PSIG (13.8 bar)
Operating Temperature	Plastic Bowl Metal Bowl	32° to 125°F (0° to 52°C) 32° to 150°F (0° to 65.5°C)
Port Size	NPT / BSPP-G 3/4, 1	
Standard Filtration	Micron	(B) 0.5, (C) 0.01 (D) 0.003 ppm / wt **
Useful Retention †	oz. (cm ³)	2.3 (66.7)
Weight	lb. (kg)	6.76 (3.1)

* Inlet pressure 150 PSIG (10.3 bar). Pressure drop of 3 PSID (0.2 bar).

** Filtration temperature of 70°F (21°C) @100 PSIG (6.9 bar) with typical compressor lubricating oil and protected by Type "C" filter.

† Useful retention refers to volume below the quiet zone baffle.

"M" Series Coalescing Filters, with Type "B" 0.5 micron elements: All Wilkerson Type "M" Oil Removal (Coalescing) Filters with Type "B" 0.5 micron elements **exceed ISO Class 2** for maximum particle size and concentration of solid contaminants, and exceed Class 3 on maximum oil content (ppm/wt).

"M" Series Coalescing Filters, with Type "C" 0.01 micron elements: All Wilkerson Type "M" Oil Removal (Coalescing) Filters with Type "C" 0.01 micron elements **exceed ISO Class 1** for maximum particle size and concentration of solid contaminants, and exceed Class 1 on maximum oil content (ppm/wt).

"M" Series Adsorption Filters, with Type "D" activated carbon elements: All Wilkerson Type "M" adsorption filters with Type "D" activated carbon elements **exceed ISO Class 1** on maximum oil content (ppm/wt).

Materials of Construction

Body	Zinc	
Bowls	Plastic Bowl Metal Bowl	Polycarbonate Aluminum
Element Holder	Brass Stud	
Filter Elements	Type "B", "C" Type "D"	Borosilicate Cloth Activated Carbon
Seals	Fluorocarbon	

Dimensions

Models	Inches (mm)	A	B	C	D	E	F
Standard Unit M31-XX-000		4.61 (117)	4.80 (122)	1.90 (48)	13.00 (330)	14.90 (378)	2.40 (61)
Automatic Drain M31-XX-F00		4.61 (117)	4.80 (122)	1.90 (48)	13.14 (333.7)	15.04 (382)	2.40 (61)
Metal Bowl M31-XX-M00		4.61 (117)	4.80 (122)	1.90 (48)	13.10 (332.7)	15.00 (381)	2.40 (61)

= "Most Popular"

Replacement Bowl Kits

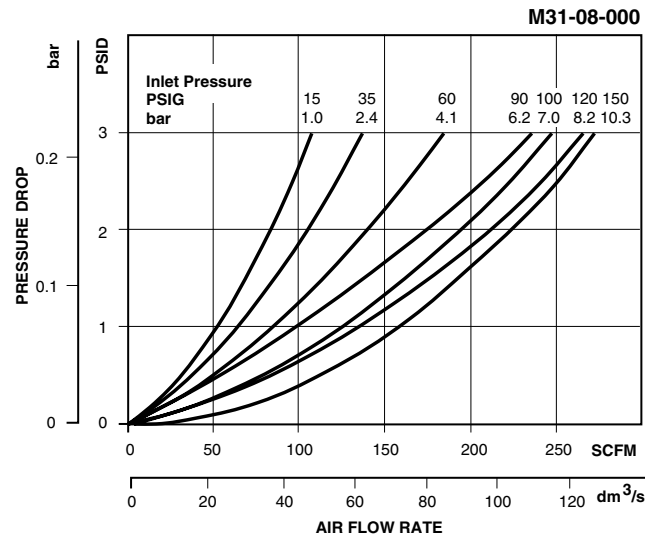
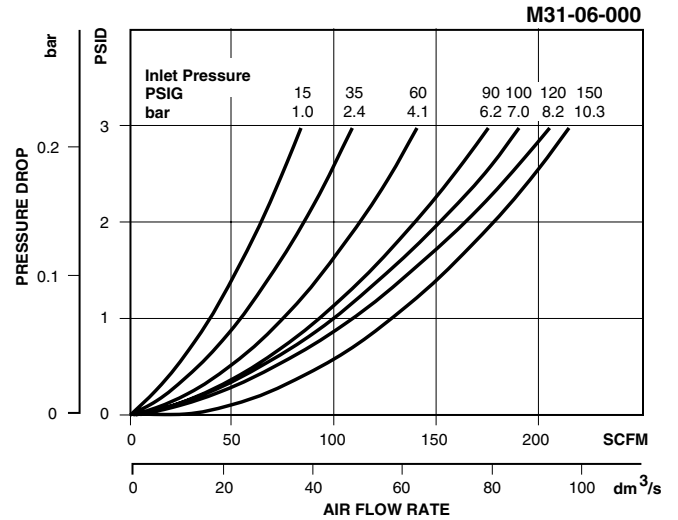
- Metal Bowl –
- Manual Drain MRP-95-939
- Plastic Bowl –
- Bowl Guard, Manual Drain MRP-95-938
- Bowl Guard, Auto Drain..... MRP-95-941
- Manual Drain MRP-95-940

Replacement Element Kits

- Type "B", 0.5 Micron..... MSP-95-993
- Type "C", 0.01 Micron..... MTP-95-521
- Type "D", Oil Vapor Removing..... MXP-95-522

Accessories

- Automatic Mechanical Drain..... GRP-95-973
- Cap, Differential Pressure Indicator –
- For pressures over 150 PSIG..... GRP-95-020
- Differential Pressure Indicator DP2-01-000
- Manual Flex-Tip..... FRP-95-610
- Wall Mounting Bracket, L-Type GPA-95-734



Ordering Information

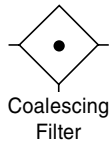
Model Type	Port Size	Polycarbonate Bowl / Bowl Guard / "C" Element	Metal Bowl / "C" Element	Polycarbonate Bowl / Bowl Guard / "B" Element	Polycarbonate Bowl / Bowl Guard / "D" Element (No DPI)
Manual Drain	3/4	M31-06-000	M31-06-M00	M31-06-S00	M31-06-X00
	1	M31-08-000	M31-08-M00	M31-08-S00	M31-08-X00
Automatic Drain	3/4	M31-06-F00	M31-06-FM0	M31-06-FS0	—
	1	M31-08-F00	M31-08-FM0	M31-08-FS0	—

Options - To order an option supplied with the unit model, add the appropriate coded suffix letter in the designated position of the model number.

Coalescing Filter

M32

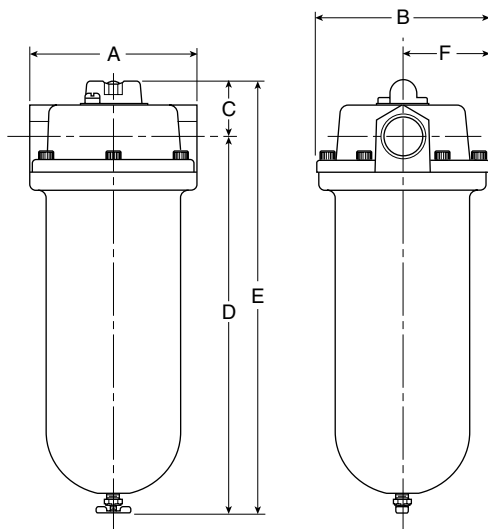
= "Most Popular"



M32-08-000

Features

- Heavy-duty Cast Aluminum Housings to Withstand Operating Pressures Up to 300 PSIG ††
- Differential Pressure Indicator to Eliminate the Guesswork of Element Replacement
- Manual Drain
- High-flow Filter Elements: Coalescing, 1 Micron and 0.01 Micron



Specifications

Flow Capacity *	1	419 SCFM (197 dm ³ /s)
	1-1/4	741 SCFM (350 dm ³ /s)
Maximum Supply Pressure	without DP2	300 PSIG (20.7 bar) ††
	with DP2	150 PSIG (10.3 bar)
Operating Temperature		32° to 150°F (° to 65.5°C)
Port Size	NPT / BSPP-G	1, 1-1/4
Standard Filtration	Micron	(B1) 1.0, (C) 0.01 (D) 0.003 ppm / wt **
Useful Retention †	oz. (cm ³)	80.7 (2387)
Weight	lb. (kg)	13 (5.9)

* Inlet pressure 150 PSIG (10.3 bar). Pressure drop of 3 PSID (0.2 bar).

** Filtration temperature of 70°F (21°C) @100 PSIG (6.9 bar) with typical compressor lubricating oil and protected by Type "C" filter.

† Useful retention refers to volume below the quiet zone baffle.

†† Without Differential Pressure Indicator – Max. supply pressure is 300 PSIG (20.7 bar).

"M" Series Coalescing Filters, with Type "B1" 1.0 micron elements: All Wilkerson Type "M" Oil Removal (Coalescing) Filters with Type "B1" 1.0 micron elements **exceed ISO Class 2** for maximum particle size and concentration of solid contaminants, and exceed Class 3 on maximum oil content (ppm/wt).

"M" Series Coalescing Filters, with Type "C" 0.01 micron elements: All Wilkerson Type "M" Oil Removal (Coalescing) Filters with Type "C" 0.01 micron elements **exceed ISO Class 1** for maximum particle size and concentration of solid contaminants, and exceed Class 1 on maximum oil content (ppm/wt).

"M" Series Adsorption Filters, with Type "D" activated carbon elements: All Wilkerson Type "M" adsorption filters with Type "D" activated carbon elements **exceed ISO Class 1** on maximum oil content (ppm/wt).

Materials of Construction

Body	Aluminum	
Bowls	Aluminum	
Element Retainer	Brass Nut / Steel Stud	
Filter Elements	Type "B1", "C" Type "D"	Borosilicate Cloth Activated Carbon
Seals	Fluorocarbon	

Dimensions

Models	Inches (mm)	A	B	C	D	E	F
Standard Unit M32-XX-000		6.20 (157)	6.40 (163)	2.10 (53)	13.90 (353)	16.00 (406)	3.20 (81.3)
Automatic Drain M32-XX-F00		6.20 (157)	6.40 (163)	2.10 (53)	14.04 (356.6)	16.14 (410)	3.20 (81.3)

= "Most Popular"

Replacement Bowl Kit

Gasket, Bowl, Fluorocarbon (1 per Kit) GRP-95-288

Replacement Element Kits

Type "B1", 1.0 Micron MSP-95-873

Type "C", 0.01 Micron MTP-95-559

Type "D", Oil Vapor Removing MXP-95-558

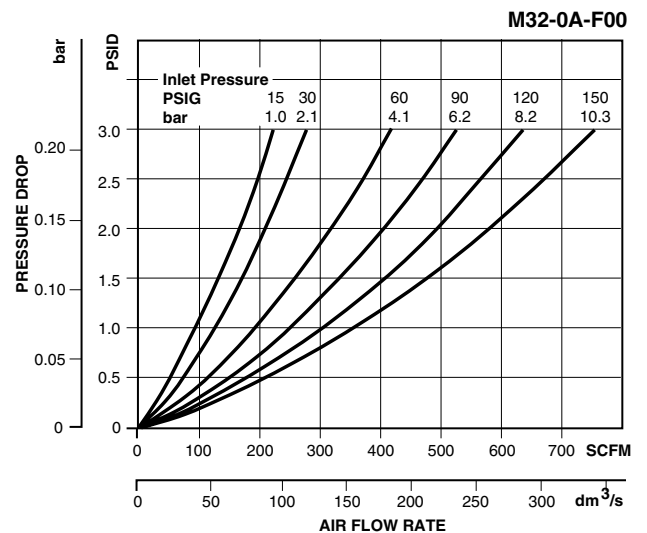
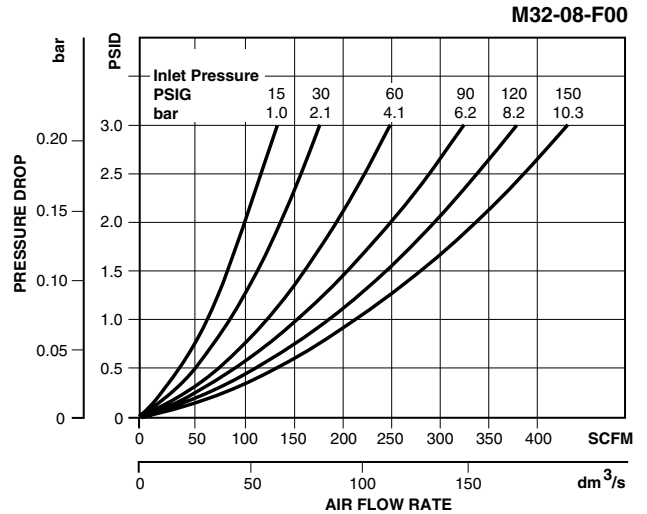
Accessories

Automatic Mechanical Drain GRP-95-981

Cap, Differential Pressure Indicator –
For pressures over 150 PSIG, 10,3 bar GRP-95-020

Gauge, Differential Pressure DP3-01-000

Indicator, Differential Pressure DP2-01-000



Ordering Information

Model Type	Port Size	Metal Bowl / "C" Element	Metal Bowl / "B1" Element	Metal Bowl / "D" Element (No DPI)
Manual Drain	1	M32-08-000	M32-08-S00	M32-08-X00
	1-1/4	M32-0A-000	M32-0A-S00	M32-0A-X00
Automatic Drain	1	M32-08-F00	M32-08-FS0	—
	1-1/4	M32-0A-F00	M32-0A-FS0	—

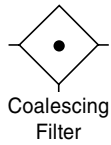
Options - To order an option supplied with the unit model, add the appropriate coded suffix letter in the designated position of the model number



Coalescing Filter

M35

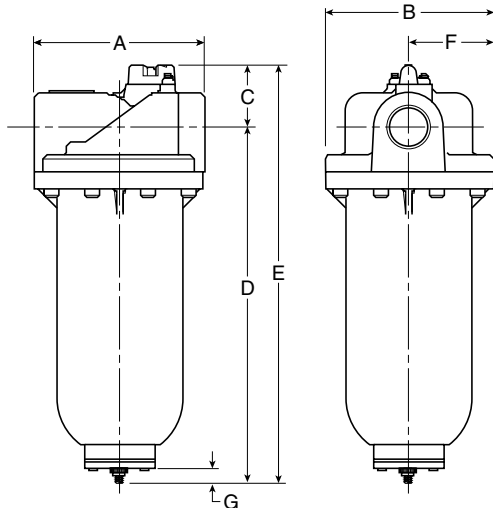
= "Most Popular"



M35-0B-000

Features

- Heavy-duty Cast Aluminum Housings to Withstand Operating Pressures Up to 300 PSIG ††
- Differential Pressure Indicator to Eliminate the Guesswork of Element Replacement
- Unique Drain Mounting Plate Design Offers Trouble-free Method for Interchanging and Installing External Drains
- High-flow Filter Elements: Coalescing, 1 Micron and 0.01 Micron



Specifications

Flow Capacity *	1-1/2	710 SCFM (335 dm ³ /s)
	2	710 SCFM (335 dm ³ /s)
Maximum Supply Pressure	without DP2	300 PSIG (20.7 bar) ††
	with DP2	150 PSIG (10.3 bar)
Operating Temperature	32° to 150°F (0° to 65.5°C)	
Port Size	NPT / BSPP-G	1-1/2, 2
Standard Filtration	Micron	(B1) 1.0, (C) 0.01 (D) 0.003 ppm / wt **
Useful Retention †	oz. (cm ³)	13.9 (411)
Weight	lb. (kg)	19.3 (8.7)

* Inlet pressure 150 PSIG (10.3 bar). Pressure drop of 3 PSID (0.2 bar).

** Filtration temperature of 70°F (21°C) @100 PSIG (6.9 bar) with typical compressor lubricating oil and protected by Type "C" filter.

† Useful retention refers to volume below the quiet zone baffle.

†† Without Differential Pressure Indicator – Max. supply pressure is 300 PSIG (20.7 bar).

"M" Series Coalescing Filters, with Type "B1" 1.0 micron elements: All Wilkerson Type "M" Oil Removal (Coalescing) Filters with Type "B1" 0.5 micron elements **exceed ISO Class 2** for maximum particle size and concentration of solid contaminants, and exceed Class 3 on maximum oil content (ppm/wt).

"M" Series Coalescing Filters, with Type "C" 0.01 micron elements: All Wilkerson Type "M" Oil Removal (Coalescing) Filters with Type "C" 0.01 micron elements **exceed ISO Class 1** for maximum particle size and concentration of solid contaminants, and exceed Class 1 on maximum oil content (ppm/wt).

"M" Series Adsorption Filters, with Type "D" activated carbon elements: All Wilkerson Type "M" adsorption filters with Type "D" activated carbon elements **exceed ISO Class 1** on maximum oil content (ppm/wt).

Materials of Construction

Body	Aluminum	
Bowls	Aluminum	
Filter Elements	Type "B1", "C"	Borosilicate Cloth
	Type "D"	Activated Carbon
Seals	Fluorocarbon	
Stud	Plated Steel	

NOTE: Automatic internal float drain shown is included on M35 filters with F00 suffix only. Models with 000 suffix include drain plate with tapped 1/2 NPT / BSPP-G drain port.

Dimensions

Models	Inches (mm)	A	B	C	D	E	F	G
Standard Unit M35-XX-F00		7.80 (198)	7.75 (197)	2.83 (72)	16.24 (412)	19.07 (484)	3.88 (99)	.55 (14)
Without Automatic Drain M35-XX-000		7.80 (198)	7.75 (197)	2.83 (72)	15.69 (398.5)	18.52 (470)	3.88 (99)	.55 (14)

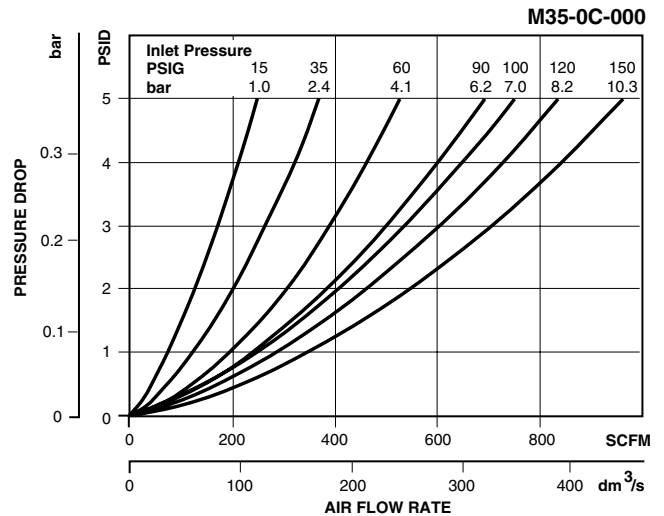
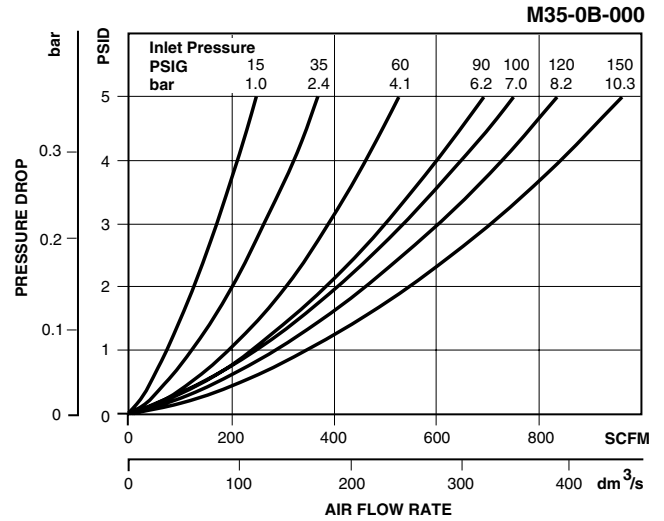
= "Most Popular"

Replacement Element Kits

- Type "B1", 1.0 Micron MSP-95-502
- Type "C", 0.01 Micron..... MTP-95-502
- Type "D", Oil Vapor Removing MXP-95-502

Accessories

- Cap, Differential Pressure Indicator –
(For pressures over 150 PSIG) GRP-95-022
- Drain, Automatic, Internal, Fluorocarbon..... GRP-95-981
- Drain Plate Kit –
.56 Dia. (Use with Internal Auto Float Drain)..... GRP-95-391
1/4 NPT Tapped Drain Port..... GRP-95-392
1/2 NPT Tapped Drain Port..... GRP-95-393
- Gauge, Differential Pressure DP3-01-000
- Indicator, Differential Pressure DP2-01-001



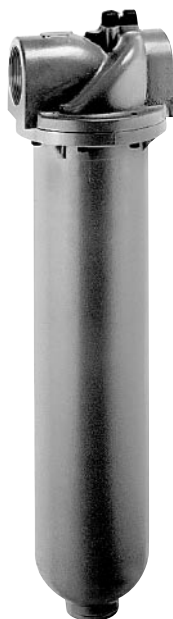
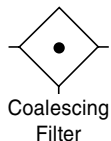
Ordering Information

Model Type	Port Size	Metal Bowl / "C" Element	Metal Bowl / "B1" Element	Metal Bowl / "D" Element
Manual Drain	1-1/2	M35-0B-000	M35-0B-S00	M35-0B-X00 (Includes 1/2 NPT / BSPP-G M35-0C-X00 Drain Plate)
	2	M35-0C-000	M35-0C-S00	
Automatic Drain	1-1/2	M35-0B-F00	M35-0B-FS0	—
	2	M35-0C-F00	M35-0C-FS0	—

Options - To order an option supplied with the unit model, add the appropriate coded suffix letter in the designated position of the model number.

Coalescing Filter

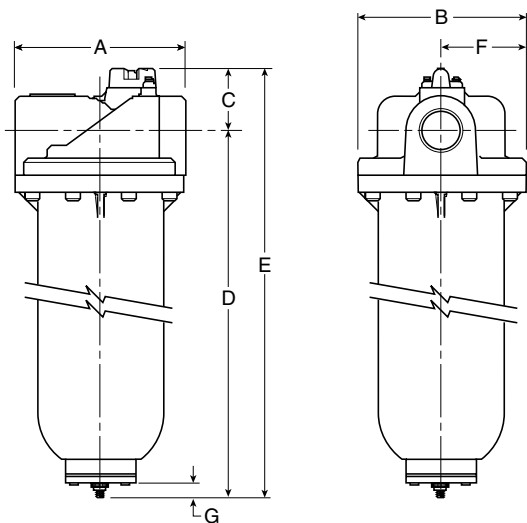
M36



M36-0C-000

Features

- Heavy-duty Cast Aluminum Housings to Withstand Operating Pressures Up to 300 PSIG ††
- Differential Pressure Indicator to Eliminate the Guesswork of Element Replacement
- Unique Drain Mounting Plate Design Offers Trouble-free Method for Interchanging and Installing External Drains
- High-flow Filter Elements: Coalescing, 1 Micron and 0.01 Micron



Dimensions

Models	Inches (mm)	A	B	C	D	E	F	G
Standard Unit M36-0C-000		7.80 (198)	7.75 (197)	2.83 (72)	19.51 (495.5)	22.34 (567)	3.88 (99)	.55 (14)

= "Most Popular"

Specifications

Flow Capacity *	2	950 SCFM (450 dm ³ /s)
Maximum Supply Pressure	without DP2 with DP2	300 PSIG (20,7 bar) †† 150 PSIG (10.3 bar)
Operating Temperature		32° to 150°F (0° to 65.5°C)
Port Size	NPT / BSPP-G	2
Standard Filtration	Micron	(B1) 1.0, (C) 0.01 (D) 0.003 ppm / wt **
Useful Retention †	oz. (cm ³)	13.9 (411)
Weight	lb. (kg)	23.2 (10.1)

* Inlet pressure 150 PSIG (10.3 bar). Pressure drop of 3 PSID (0.2 bar).

** Filtration temperature of 70°F (21°C) @ 100 PSIG (6.9 bar) with typical compressor lubricating oil and protected by Type "C" filter.

† Useful retention refers to volume below the quiet zone baffle.

†† Without Differential Pressure Indicator – Max. supply pressure is 300 PSIG (20.7 bar).

"M" Series Coalescing Filters, with Type "B1" 1.0 micron elements: All Wilkerson Type "M" Oil Removal (Coalescing) Filters with Type "B1" 1.0 micron elements **exceed ISO Class 2** for maximum particle size and concentration of solid contaminants, and exceed Class 3 on maximum oil content (ppm/wt).

"M" Series Coalescing Filters, with Type "C" 0.01 micron elements: All Wilkerson Type "M" Oil Removal (Coalescing) Filters with Type "C" 0.01 micron elements **exceed ISO Class 1** for maximum particle size and concentration of solid contaminants, and exceed Class 1 on maximum oil content (ppm/wt).

"M" Series Adsorption Filters, with Type "D" activated carbon elements: All Wilkerson Type "M" adsorption filters with Type "D" activated carbon elements **exceed ISO Class 1** on maximum oil content (ppm/wt).

Materials of Construction

Body	Aluminum	
Bowls	Aluminum	
Stud	Plated Steel	
Filter Elements	Type "B1", "C" Type "D"	Borosilicate Cloth Activated Carbon
Seals	Fluorocarbon	

NOTE: Standard filter includes tapped 1/2 NPT / BSPP-G drain plate. To order internal float drain shown, order drain adapter plate GRP-95-391 and automatic drain GRP-95-981.

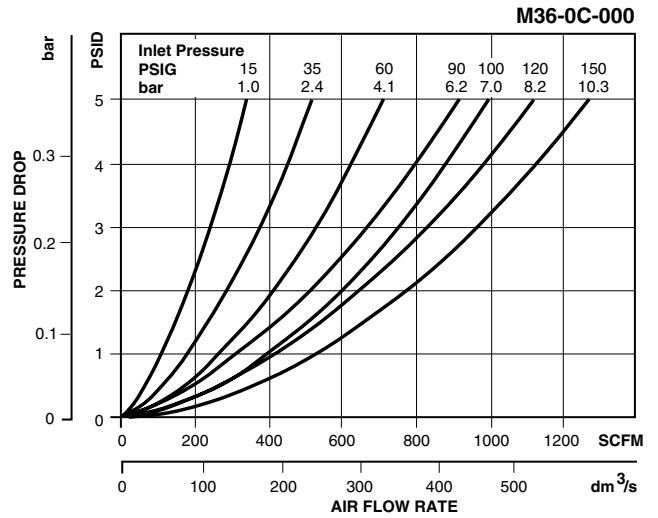
= "Most Popular"

Replacement Element Kits

- Type "B1", 1.0 Micron MSP-95-503
- Type "C", 0.01 Micron..... MTP-95-503
- Type "D", Oil Vapor Removing MXP-95-503

Accessories

- Cap, Differential Pressure Indicator
(For pressures over 150 PSIG) GRP-95-022
- Drain, Automatic, Internal, Fluorocarbon..... GRP-95-981
- Drain Plate Kit –
 - .56 Dia. (Use with Internal Auto Float Drain)..... GRP-95-391
 - 1/4 NPT Tapped Drain Port..... GRP-95-392
 - 1/2 NPT Tapped Drain Port..... GRP-95-393
- Gauge, Differential Pressure DP3-01-000
- Indicator, Differential Pressure DP2-01-001



Ordering Information

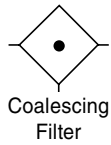
Model Type	Port Size	Metal Bowl / "C" Element	Metal Bowl / "B1" Element	Metal Bowl / "D" Element
M36	2	M36-0C-000	M36-0C-S00	M36-0C-X00 (Includes 1/2 NPT / BSPP-G Drain Plate)

Options - To order an option supplied with the unit model, add the appropriate coded suffix letter in the designated position of the model number.

Coalescing Filter

M43

= "Most Popular"



M43-0E-000

Features

- Heavy-duty Cast Aluminum Housings to Withstand Operating Pressures Up to 300 PSIG ††
- Differential Pressure Indicator to Eliminate the Guesswork of Element Replacement
- Unique Drain Mounting Plate Design Offers Trouble-free Method for Interchanging and Installing External Drains
- High-flow Filter Elements: Coalescing, 1 Micron and 0.01 Micron

Specifications

Flow Capacity *	3	1770 SCFM (800 dm ³ /s)
Maximum Supply Pressure	without DP2 with DP2	300 PSIG (20.7 bar) †† 150 PSIG (10.3 bar)
Operating Temperature	32° to 150°F (0° to 65.5°C)	
Port Size	NPT / BSPP-G	3
Standard Filtration	Micron	(B1) 1.0, (C) 0.01 (D) 0.003 ppm / wt **
Useful Retention †	oz. (cm ³)	17.2 (510)
Weight	lb. (kg)	32.8 (14.9)

* Inlet pressure 150 PSIG (10.3 bar). Pressure drop of 3 PSID (0.2 bar).

** Filtration temperature of 70°F (21°C) @ 100 PSIG (6.9 bar) with typical compressor lubricating oil and protected by Type "C" filter.

† Useful retention refers to volume below the quiet zone baffle.

†† Without Differential Pressure Indicator – Max. supply pressure is 300 PSIG (20.7 bar).

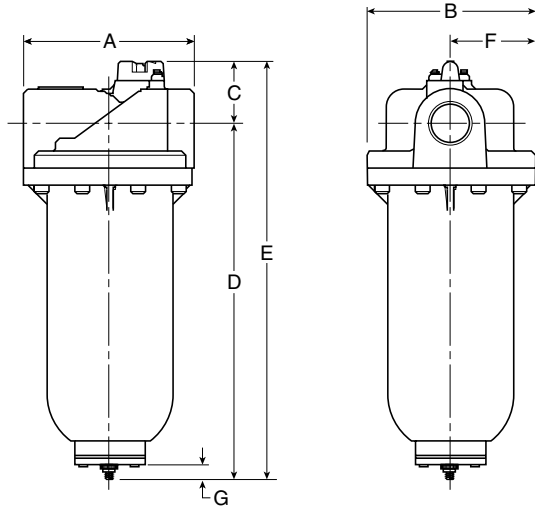
"M" Series Coalescing Filters, with Type "B1" 1.0 micron elements: All Wilkerson Type "M" Oil Removal (Coalescing) Filters with Type "B1" 1.0 micron elements **exceed ISO Class 2** for maximum particle size and concentration of solid contaminants, and exceed Class 3 on maximum oil content (ppm/wt).

"M" Series Coalescing Filters, with Type "C" 0.01 micron elements: All Wilkerson Type "M" Oil Removal (Coalescing) Filters with Type "C" 0.01 micron elements **exceed ISO Class 1** for maximum particle size and concentration of solid contaminants, and exceed Class 1 on maximum oil content (ppm/wt).

"M" Series Adsorption Filters, with Type "D" activated carbon elements: All Wilkerson Type "M" adsorption filters with Type "D" activated carbon elements **exceed ISO Class 1** on maximum oil content (ppm/wt).

Materials of Construction

Body	Aluminum	
Bowls	Aluminum	
Filter Elements	Type "B1", "C" Type "D"	Borosilicate Cloth Activated Carbon
Seals	Fluorocarbon	
Stud	Plated Steel	



NOTE: Standard filter includes tapped 1/2 NPT / BSPP-G drain plate. To order internal float drain shown, order drain adapter plate GRP-95-391 and automatic drain GRP-95-981.

Dimensions

Models	Inches (mm)	A	B	C	D	E	F	G
Standard Unit M43-0E-000		8.94 (227)	8.88 (225.5)	3.48 (88)	25.96 (660)	29.44 (748)	4.44 (112.8)	.55 (14)

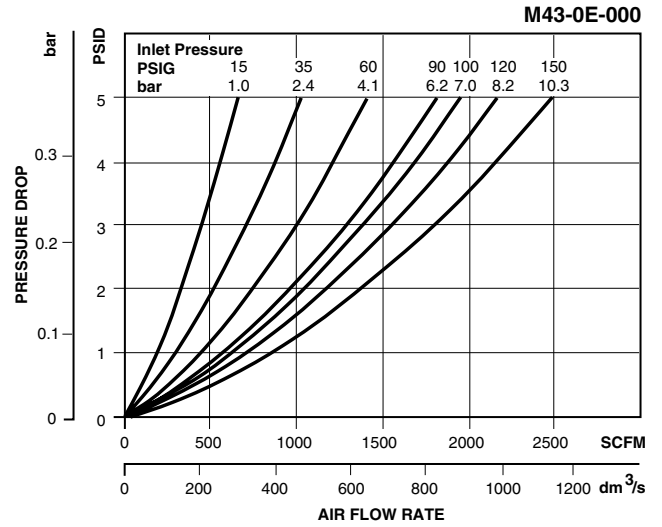
= "Most Popular"

Replacement Element Kits

- Type "B1", 1.0 Micron MSP-95-876
- Type "C", 0.01 Micron..... MTP-95-562
- Type "D", Oil Vapor Removing MXP-95-565

Accessories

- Cap, Differential Pressure Indicator
(For pressures over 150 PSIG) GRP-95-022
- Drain, Automatic, Internal, Fluorocarbon..... GRP-95-981
- Drain Plate Kit –
 - .56 Dia. (Use with Internal Auto Float Drain)..... GRP-95-391
 - 1/4 NPT Tapped Drain Port..... GRP-95-392
 - 1/2 NPT Tapped Drain Port..... GRP-95-393
- Gauge, Differential Pressure DP3-01-000
- Indicator, Differential Pressure DP2-01-001



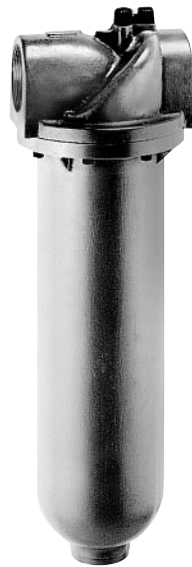
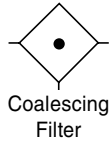
Ordering Information

Model Type	Port Size	Metal Bowl / "C" Element	Metal Bowl / "B1" Element	Metal Bowl / "D" Element
M43	3	M43-0E-000	M43-0E-S00	M43-0E-X00 (Includes 1/2 NPT / BSPP-G Drain Plate)

Options - To order an option supplied with the unit model, add the appropriate coded suffix letter in the designated position of the model number.

Coalescing Filter

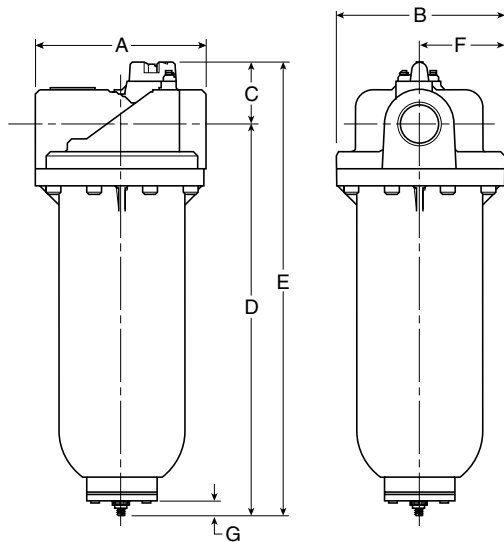
M45



M45-0E-000

Features

- Heavy-duty Cast Aluminum Housings to Withstand Operating Pressures Up to 300 PSIG ††
- Differential Pressure Indicator to Eliminate the Guesswork of Element Replacement
- Unique Drain Mounting Plate Design Offers Trouble-free Method for Interchanging and Installing External Drains
- High-flow Filter Elements: Coalescing, 1 Micron and 0.01 Micron



Dimensions

Models	Inches (mm)	A	B	C	D	E	F	G
Standard Unit M45-XX-000		8.94 (227)	8.88 (225.5)	3.48 (88)	32.52 (826)	36.00 (914)	4.44 (112.8)	.55 (14)

= "Most Popular"

Specifications

Flow Capacity *	3	2200 SCFM (1000 dm ³ /s)
Maximum Supply Pressure	without DP2 with DP2	300 PSIG (20.7 bar) †† 150 PSIG (10.3 bar)
Operating Temperature	32° to 150°F (0° to 65.5°C)	
Port Size	NPT / BSPP-G	3
Standard Filtration	Micron	(B1) 1.0, (C) 0.01 (D) 0.003 ppm / wt **
Useful Retention †	oz. (cm ³)	15.0 (444)
Weight	lb. (kg)	39.0 (17.7)

* Inlet pressure 150 PSIG (10.3 bar). Pressure drop of 3 PSID (0.2 bar).

** Filtration temperature of 70°F (21°C) @ 100 PSIG (6.9 bar) with typical compressor lubricating oil and protected by Type "C" filter.

† Useful retention refers to volume below the quiet zone baffle.

†† Without Differential Pressure Indicator – Max. supply pressure is 300 PSIG (20.7 bar).

"M" Series Coalescing Filters, with Type "B1" 1.0 micron elements: All Wilkerson Type "M" Oil Removal (Coalescing) Filters with Type "B1" 1.0 micron elements **exceed ISO Class 2** for maximum particle size and concentration of solid contaminants, and exceed Class 3 on maximum oil content (ppm/wt).

"M" Series Coalescing Filters, with Type "C" 0.01 micron elements: All Wilkerson Type "M" Oil Removal (Coalescing) Filters with Type "C" 0.01 micron elements **exceed ISO Class 1** for maximum particle size and concentration of solid contaminants, and exceed Class 1 on maximum oil content (ppm/wt).

"M" Series Adsorption Filters, with Type "D" activated carbon elements: All Wilkerson Type "M" adsorption filters with Type "D" activated carbon elements **exceed ISO Class 1** on maximum oil content (ppm/wt).

Materials of Construction

Body	Aluminum	
Bowls	Aluminum	
Filter Elements	Type "B1", "C" Type "D"	Borosilicate Cloth Activated Carbon
Seals	Fluorocarbon	
Stud	Plated Steel	

NOTE: Standard filter includes tapped 1/2 NPT / BSPP-G drain plate. To order internal float drain shown, order drain adapter plate GRP-95-391 and automatic drain GRP-95-981.

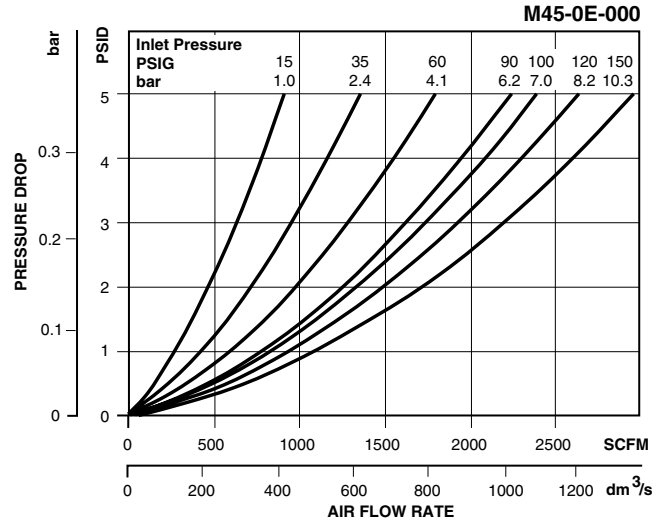
= "Most Popular"

Replacement Element Kits

- Type "B1", 1.0 Micron MSP-95-500
- Type "C", 0.01 Micron..... MTP-95-500
- Type "D", Oil Vapor Removing MXP-95-500

Accessories

- Cap, Differential Pressure Indicator
(For pressures over 150 PSIG) GRP-95-022
- Drain, Automatic, Internal, Fluorocarbon..... GRP-95-981
- Drain Plate Kit –
 - .56 Dia. (Use with Internal Auto Float Drain)..... GRP-95-391
 - 1/4 NPT Tapped Drain Port..... GRP-95-392
 - 1/2 NPT Tapped Drain Port..... GRP-95-393
- Gauge, Differential Pressure DP3-01-000
- Indicator, Differential Pressure DP2-01-001



Ordering Information

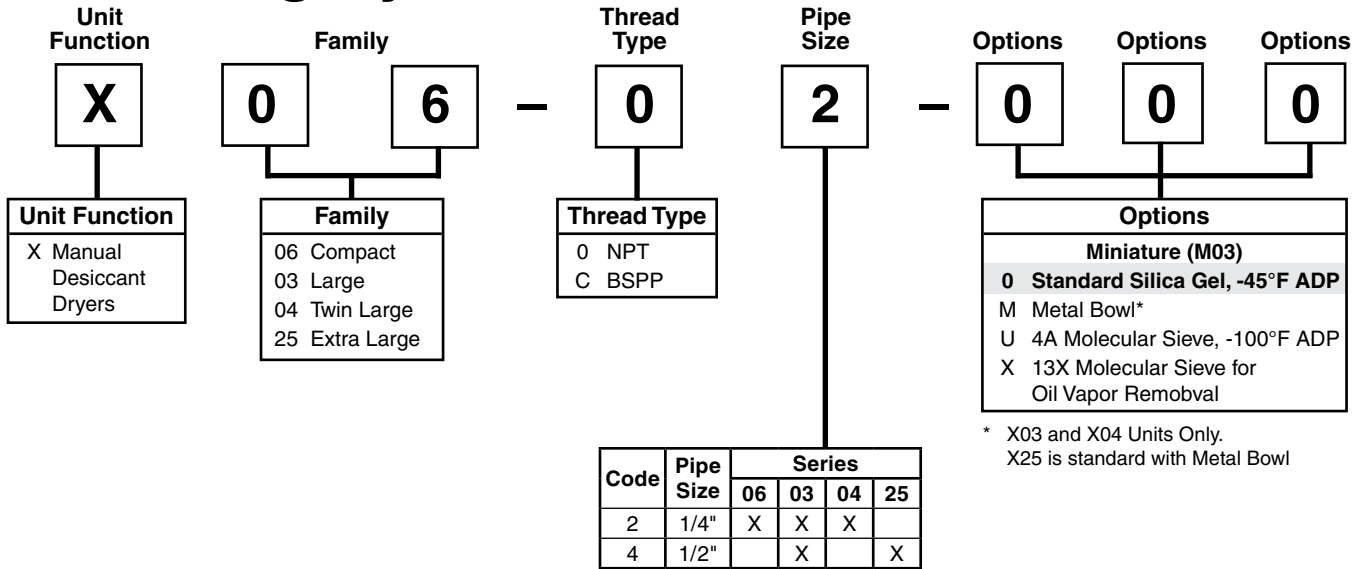
Model Type	Port Size	Metal Bowl / "C" Element	Metal Bowl / "B1" Element	Metal Bowl / "D" Element
M45	3	M45-0E-000	M45-0E-S00	M45-0E-X00 (Includes 1/2 NPT / BSPP-G Drain Plate)

Options - To order an option supplied with the unit model, add the appropriate coded suffix letter in the designated position of the model number.

Notes

Manual Desiccant Dryer Numbering System

= "Most Popular"

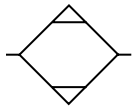


If more than one option is desired, arrange them in alphabetical order in positions 6, 7, and 8.

NOTE: 000 in position 6, 7, and 8 signifies standard product.



Desiccant Dryer X06



X06-02-000

Features and Benefits

- Atmospheric Dew Points as Low as -100°F
- No Electrical Connection Necessary
- Twin Units Available for Double Service Life
- Color change of the Desiccant Provides an Instant Status of the Compressed Air System

= "Most Popular"

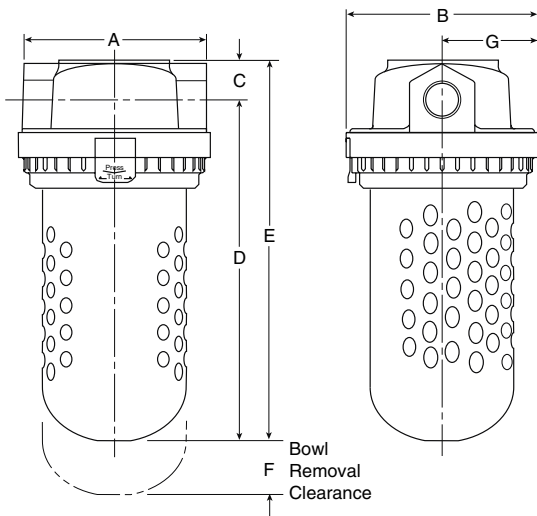
Specifications

Atmospheric Dew Point*—		
Model 000	Silica Gel	-45°F (-43°C)
Model U00	4A Molecular Sieve	-100°F (-52°C)
Maximum Continuous Air Flow*		5 SCFM (2.3 dm ³ /s)
Maximum Pressure		150 PSIG (10.3 bar)
Maximum Temperature		125°F (52°C)
Port Size	NPT / BSPP-G	1/4
Total Air Flow*	1/4	600 SCFM (16.6 m ³)
Total Minutes of Operation @ Continuous Air Flow		
		120 Minutes
Weight (with Desiccant)	lb. (kg)	1.13 (0.51)
Weight Desiccant Alone	lb. (kg)	0.25 (0.11)

* With dry desiccant at 100 PSIG (7 bar) and 70°F (21°C), saturated inlet (100% RH).

Materials of Construction

Body		Zinc
Bowls	Plastic	Polycarbonate
Bowl Guard		Aluminum
Seals		Fluorocarbon



Dimensions

Models	Inches (mm)	A	B	C	D	E	F	G
Standard Unit X06-02-000		3.00 (76)		1.30 (33)	5.11 (129.8)	6.41 (162.8)	1.50 (38)	

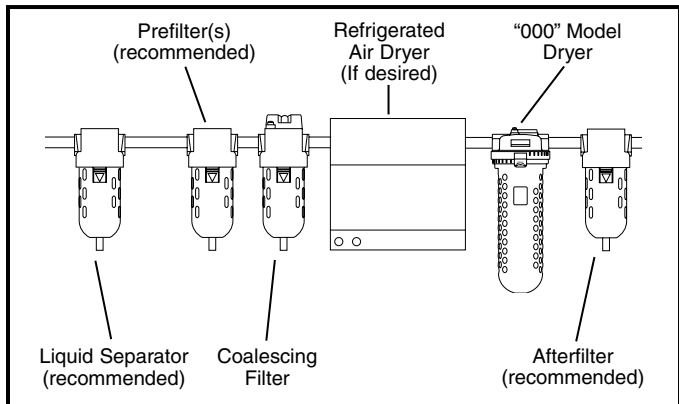
 = "Most Popular"

Replacement Parts

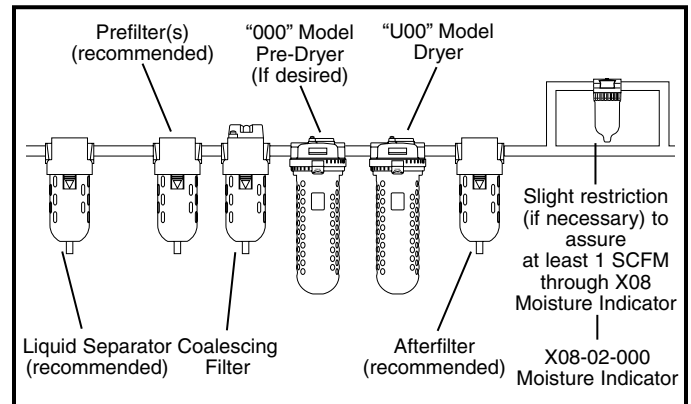
- Bowl Guard GRP-95-013
- Bowl O-ring GRP-95-259
- Desiccant –
 - Silica Gel (000) DRP-95-303
 - 4A Molecular Sieve (U00)..... DRP-95-304
 - 13X Molecular Sieve (X00)..... DRP-95-305
- Transparent Bowl DRP-96-459

Typical Installation Arrangement

-45°F ADP Models:



-100°F ADP Models:



E

Ordering Information

Model Type	Port Size	Polycarbonate Bowl
X06	1/4	X06-02-000

Options - To order an option supplied with the unit model, add the appropriate coded suffix letter in the designated position of the model number.

Desiccant Dryer X03 / X04

= "Most Popular"



X03-02-000

Features and Benefits

- Atmospheric Dew Points as Low as -100°F
- No Electrical Connection Necessary
- Twin Units Available for Double Service Life
- Color change of the Desiccant Provides an Instant Status of the Compressed Air System

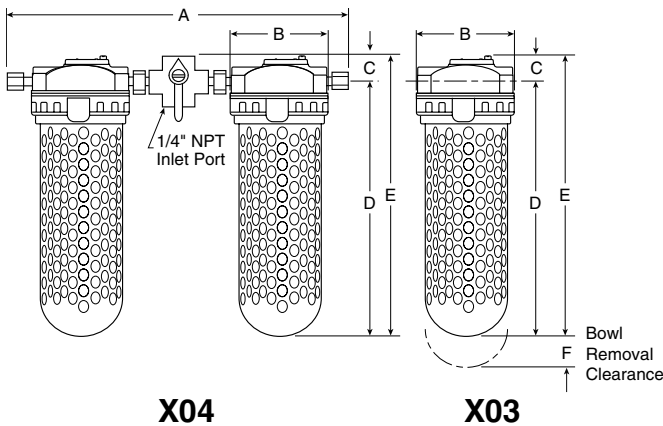
Specifications

Atmospheric Dew Point*—		
Model 000	Silica Gel	-45°F (-43°C)
Model U00	4A Molecular Sieve	-100°F (-52°C)
Maximum Continuous Air Flow*		10 SCFM (4.7 dm³/s)
Maximum Pressure		150 PSIG (10.3 bar)
Maximum Temperature —		
X03 Transparent Bowl		125°F (52°C)
X03 Metal Bowl		150°F (66°C)
X04 Transparent Bowl		125°F (52°C)
Port Size —		
X03	NPT / BSPP-G	1/4, 1/2
X04	NPT / BSPP-G	1/4
Total Air Flow*		1/4 11,000 SCFM (311 m³)
Total Minutes of Operation @		
Continuous Air Flow	X03	440 Minutes
	X04	880 Minutes
Weight (with Desiccant) lb. (kg) —		
X03 Transparent Bowl		7.4 (3.4)
X03 Metal Bowl		6.8 (3.1)
X04 Transparent Bowl		15.0 (6.8)
Weight Desiccant Alone lb. (kg) —		
X03 Transparent Bowl		1.8 (0.8)
X03 Metal Bowl		1.3 (0.6)
X04 Transparent Bowl		3.6 (1.6)

* With dry desiccant at 100 PSIG (7 bar) and 70°F (21°C), saturated inlet (100% RH).

Materials of Construction

Body	Zinc	
Bowls	Plastic	Polycarbonate
	Metal Bowl	Aluminum
Bowl Guard	Aluminum	
Seals	Fluorocarbon	



Dimensions

Models	Inches (mm)	A	B	C	D	E	F
Standard Unit X03-02-000		—	4.79 (121.6)	1.28 (32.5)	12.33 (313)	13.61 (345.7)	2.00 (50.8)
Metal Bowl X03-02-M00		—	4.79 (121.6)	1.70 (43)	8.30 (210.8)	10.00 (254)	2.00 (50.8)
Standard Twin Unit X04-02-000		14.42 (366)	4.63 (117.6)	.94 (23.8)	11.71 (297.4)	12.65 (322)	2.00 (50.8)

 = "Most Popular"

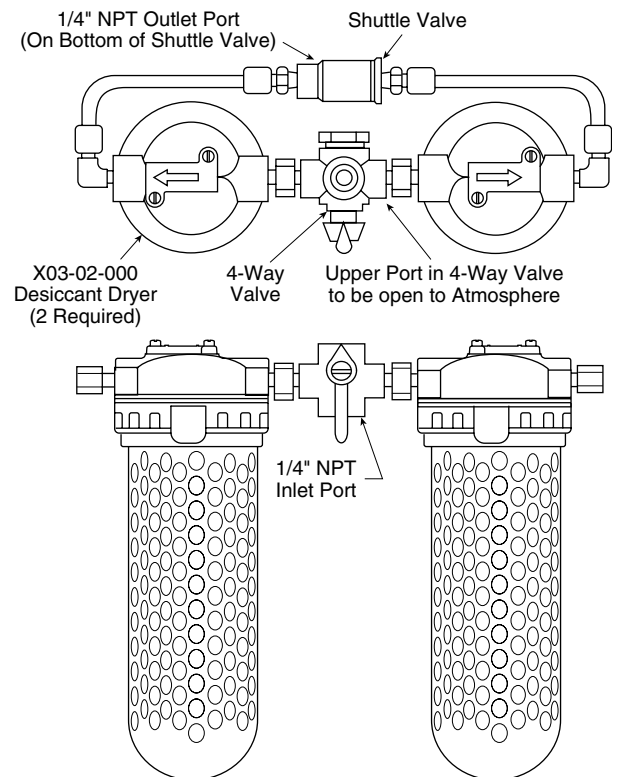
Replacement Parts

- Bowl Guard –
- X03 / X04 Transparent Bowl..... GRP-95-810
- Bowl O-ring GRP-95-256
- Clamp Ring GRP-96-404
- Desiccant –
- Silica Gel (000) DRP-85-059
- 4A Molecular Sieve (U00)..... DRP-85-060
- 13X Molecular Sieve (X00)..... DRP-85-061
- Moisture Indicator* –
- X03 Metal Bowl..... DRP-95-623
- Replacement Cap for Moisture Removal..... GRP-95-020
- Screen Assembly DRP-96-434
- Transparent Bowl –
- X03 / X04 GRP-95-089
- Tube Assembly with Screen –
- X03 / X04 Transparent Bowl..... DRP-96-435
- X03 Metal Bowl..... DRP-96-451

* The Moisture Indicator contains a weep orifice to provide an air sample to the moisture indicating paper. Air bleed from this indicator is necessary and normal.



X04-02-000



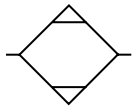
E

Ordering Information

Model Type	Port Size	Polycarbonate Bowl	Metal Bowl
X03	1/4	X03-02-000	X03-02-M00
X04	1/4	X04-02-000	X04-02-M00

Options - To order an option supplied with the unit model, add the appropriate coded suffix letter in the designated position of the model number.

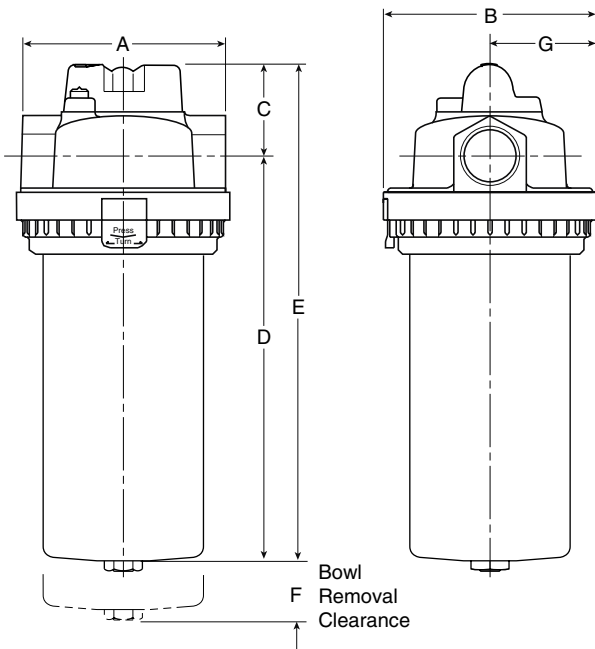
Desiccant Dryer X25



X25-04-000

Features and Benefits

- Atmospheric Dew Points as Low as -100°F
- No Electrical Connection Necessary
- Twin Units Available for Double Service Life
- Color change of the Desiccant Provides an Instant Status of the Compressed Air System



Dimensions

Models	Inches (mm)	A	B	C	D	E	F	G
Standard Unit X25-04-000		4.61 (117)	4.79 (121.6)	1.70 (43)	19.58 (497)	21.28 (540.5)	2.00 (50.8)	2.39 (60.8)

 = "Most Popular"

Specifications

Atmospheric Dew Point*—		
Model 000	Silica Gel	-45°F (-43°C)
Model U00	4A Molecular Sieve	-100°F (-52°C)
Maximum Continuous Air Flow*	25 SCFM (11.8 dm ³ /s)	
Maximum Pressure	150 PSIG (10.3 bar)	
Maximum Temperature	150°F (66°C)	
Port Size	NPT / BSPP-G	1/2
Total Air Flow*	1/4	11,000 SCFM (311 m ³)
Total Minutes of Operation @		
Continuous Air Flow	440 min.	
Weight (with Desiccant)	lb. (kg)	11.23 (5.1)
Weight Desiccant Alone	lb. (kg)	4.4 (2.0)

* With dry desiccant at 100 PSIG (7 bar) and 70°F (21°C), saturated inlet (100% RH).

Materials of Construction

Body	Zinc	
Bowls	Metal Bowl	Aluminum
Bowl Guard	Aluminum	
Seals	Fluorocarbon	

 = "Most Popular"

Replacement Parts

- Bowl O-ring GRP-95-256
- Clamp Ring GRP-96-404
- Desiccant –
 - Silica Gel (000) DRP-85-280
 - 4A Molecular Sieve (U00) DRP-85-281
- Moisture Indicator* DRP-95-623
- Replacement Cap for Moisture Removal..... GRP-95-020
- Screen Assembly DRP-96-434
- Tube Assembly with Screen DRP-95-622

* The Moisture Indicator contains a weep orifice to provide an air sample to the moisture indicating paper. Air bleed from this indicator is necessary and normal.

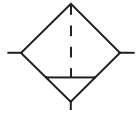


Ordering Information

Model Type	Port Size	Metal Bowl
X25	1/2	X25-04-000

Options - To order an option supplied with the unit model, add the appropriate coded suffix letter in the designated position of the model number.

Moisture Indicator X08



Manual
Drain



X08-02-000

Features

- Transparent Plastic Bowl Standard
- Silica Gel Changes Color For Moisture Indication

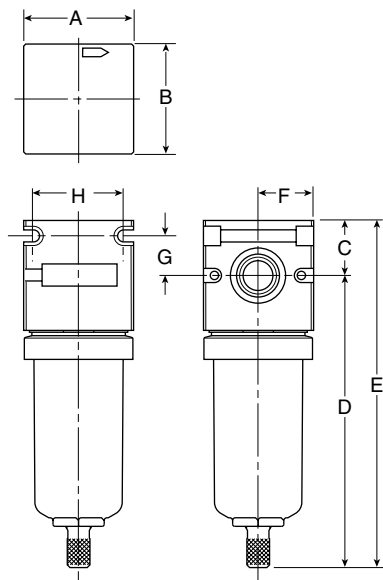
 = "Most Popular"

Specifications

Maximum Supply Pressure	150 PSIG (10.3 bar)	
Operating Temperature	32° to 120°F (0° to 49°C)	
Port Size	NPT / BSPT-Rc	1/4
Weight	lb. (kg)	0.34 (0.15)

Materials of Construction

Body	Zinc	
Bowls	Plastic Bowl	Polyurethane
Seals	Nitrile	

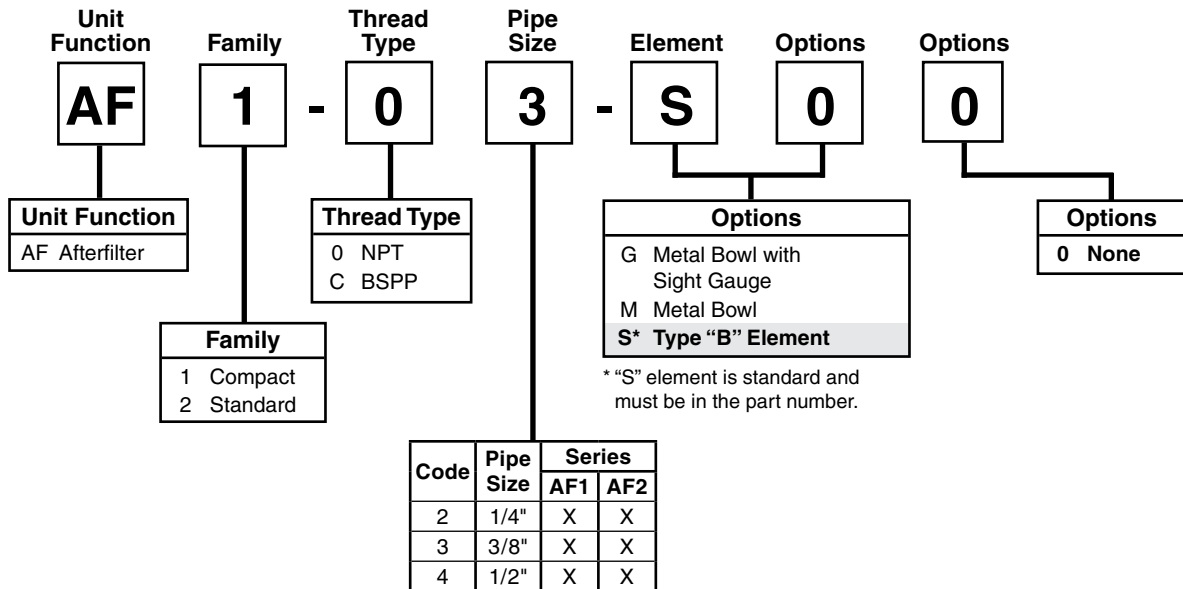
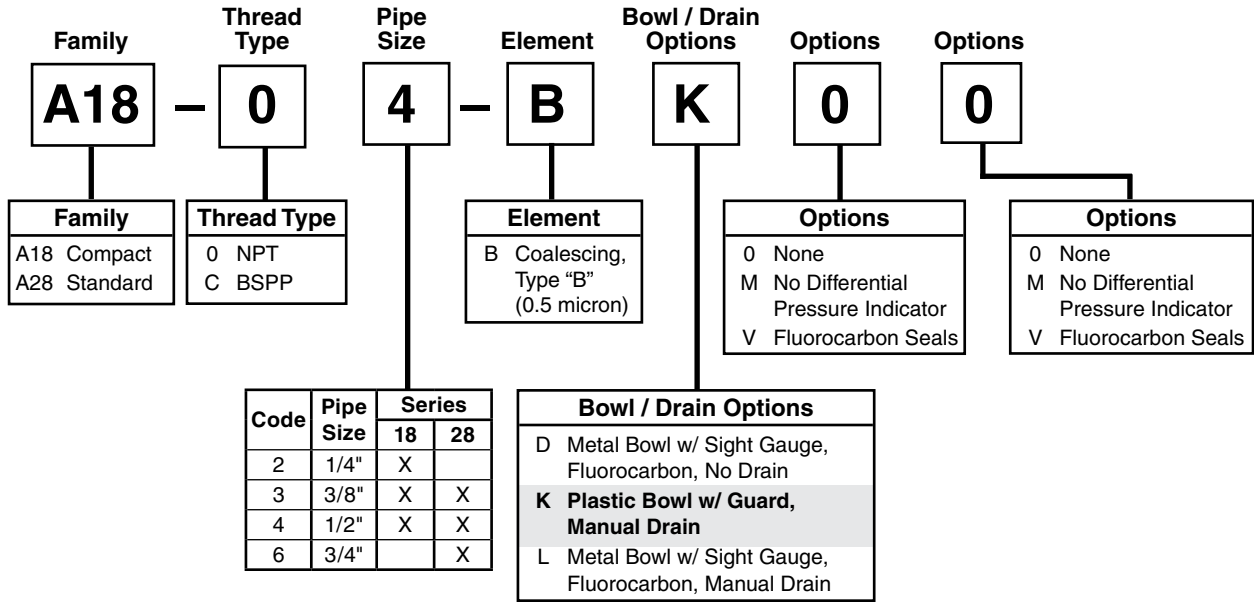


Dimensions

Models	Inches (mm)	A	B	C	D	E	F	G	H
Standard Unit X08-02-000		1.59 (40.5)	1.59 (40.5)	0.81 (20.6)	4.25 (107.9)	5.06 (128.5)	0.80 (20.2)	0.58 (14.7)	1.31 (33.3)

Afterfilter Numbering System

 = "Most Popular"



AF Series Afterfilters, with Type "B" 5 micron elements: All Wilkerson Type "AF" 0.5 micron elements **exceed** ISO Class 2 for maximum particle size and concentration of solid contaminants, and **exceed** Class 3 on maximum oil content (ppm/wt).

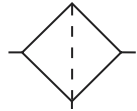
If more than one option is desired, arrange them in alphabetical order in positions 6, 7, and 8.

NOTE: All classes above refer to International Standards Organization (ISO) standard 8573-1, pertaining to maximum particle size and concentration of solid contaminants, and maximum oil content.



Afterfilter

A18



Afterfilter



A18-02-BK00

= "Most Popular"

Specifications

Flow Capacity*	1/4	50 SCFM (23.6 dm ³ /s)
	3/8	60 SCFM (28.3 dm ³ /s)
	1/2	67 SCFM (31.6 dm ³ /s)
Maximum Supply Pressure	Plastic Bowl	150 PSIG (10.3 bar)
	Metal Bowl	250 PSIG (17.2 bar)
Operating Temperature	Plastic Bowl	32° to 125°F (0° to 52°C)
	Metal Bowl	32° to 150°F (0° to 65.5°C)
Port Size	NPT / BSPP-G	1/4, 3/8, 1/2
Standard Filtration	Micron	0.5
Useful Retention	oz. (cm ³)	1.72 (50.9)
Weight	lb. (kg)	1.1 (0.5)

* Inlet pressure 150 PSIG (10.3 bar). Pressure drop 3 PSID (0.2 bar).

"A18" Series Afterfilters, with Type "B" 0.5 micron elements:

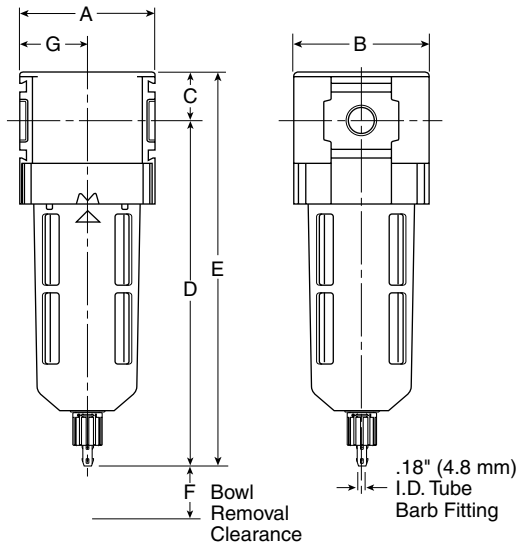
All Wilkerson Type "AF" Afterfilters with Type "B" 0.5 micron elements **exceed ISO** Class 2 for maximum particle size and concentration of solid contaminants, and **exceed** Class 3 on maximum oil content (ppm/wt).

Features

- Modern Design and Appearance
- 0.5 Micron Element
- Light Weight
- High Flow Capacity with Minimal Pressure Drop

Materials of Construction

Body	Zinc	
Body Cap	ABS	
Bowls	Plastic Bowl	Polycarbonate
	Metal Bowl	Aluminum
Filter Element	Type "B"	Borosilicate Fiber
Seals	Nitrile	
Sight Gauge	Metal Bowl	Nylon



Dimensions

Models	Inches (mm)	A	B	C	D	E	F	G
Standard Unit A18-XX-BK00		2.36 (60)	2.36 (60)	1.02 (26)	6.38 (162)	7.40 (188)	1.61 (41)	1.18 (30)
Metal Bowl with Sight Gauge / Manual Drain A18-XX-BL00		2.36 (60)	2.72 (69)	1.02 (26)	6.38 (162)	7.40 (188)	1.61 (41)	1.18 (30)

Replacement Bowl Kits

- Metal Bowl with Sight Gauge,
Manual Drain GRP-96-636
- Plastic Bowl / Bowl Guard,
Manual Drain GRP-96-634
- Plastic Bowl, Plastic Guard,
No Drain GRP-96-638

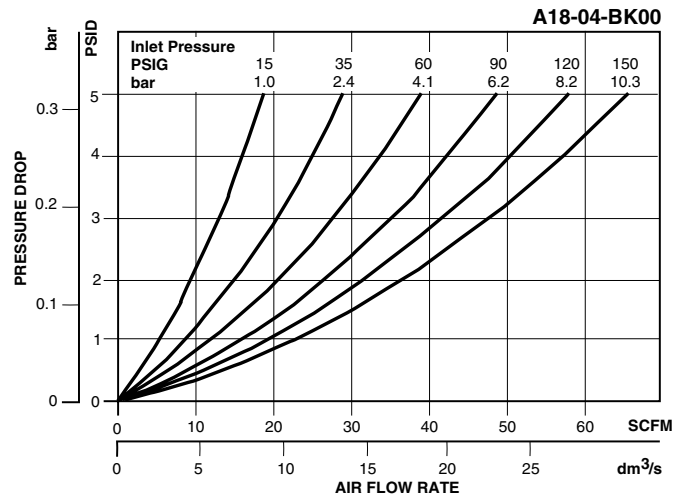
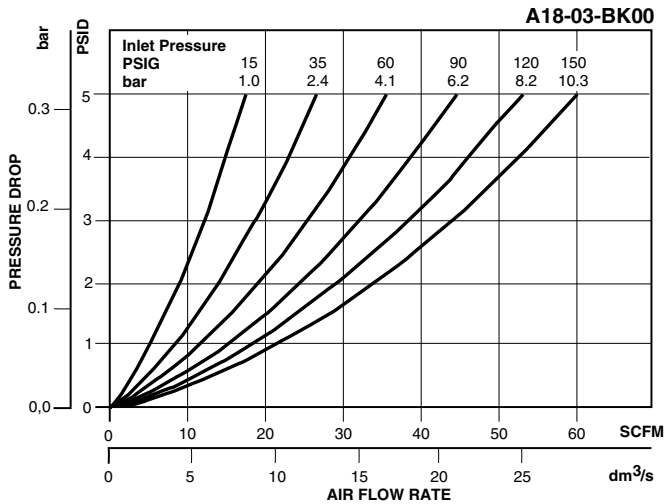
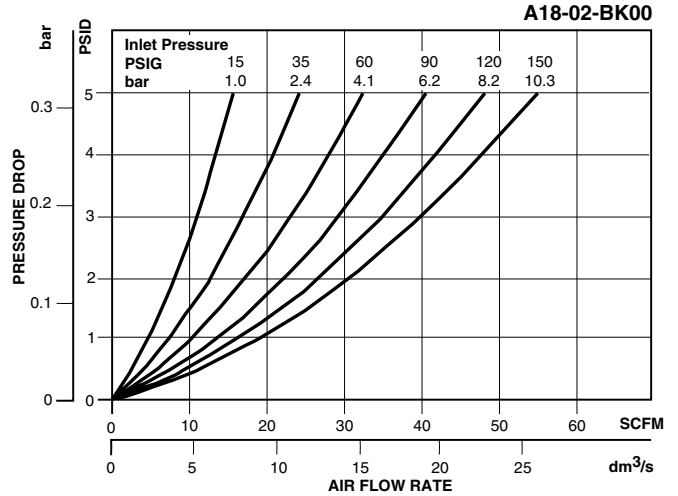
Replacement Element Kit

- Type "B", 0.5 Micron..... MSP-96-647

Accessories

- Wall Mounting Bracket –
C-Type GPA-96-604
- T-Type GPA-96-602

= "Most Popular"



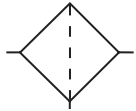
Ordering Information

Model Type	Port Size	Polycarbonate Bowl / Bowl Guard / "B" Element	Metal Bowl / Sight Gauge / "B" Element
Type "B" Element is Standard (Manual Drain)	1/4	A18-02-BK00	A18-02-BL00
	3/8	A18-03-BK00	A18-03-BL00
	1/2	A18-04-BK00	A18-04-BL00

Options - To order an option supplied with the unit model, add the appropriate coded suffix letter in the designated position of the model number.

Afterfilter

A28



Afterfilter



A28-03-BK00

Features

- Modern Design and Appearance
- 0.5 Micron Element
- Light Weight
- High Flow Capacity with Minimal Pressure Drop
- Bowl Guard
- Quick-Disconnect Bowl

Specifications

Flow Capacity*	3/8	82 SCFM (38.7 dm ³ /s)
	1/2	90 SCFM (42.5 dm ³ /s)
	3/4	98 SCFM (46.3 dm ³ /s)
Operating Temperature	Plastic Bowl	32° to 125°F (0° to 52°C)
	Metal Bowl	32° to 150°F (0° to 65.5°C)
Maximum Supply Pressure	Plastic Bowl	150 PSIG (10.3 bar)
	Metal Bowl	250 PSIG (17.2 bar)
Standard Filtration	Micron	0.5
Useful Retention	oz. (cm3)	2.89 (84.9)
Port Size	NPT / BSPP-G	3/8, 1/2, 3/4
Weight	lb. (kg)	1.7 (0.8)

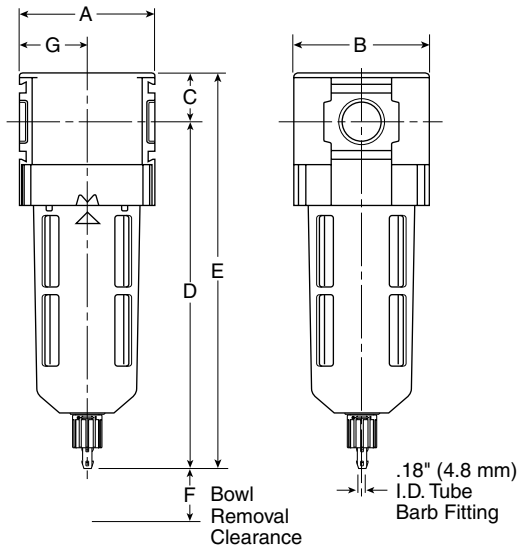
* Inlet pressure 150 PSIG (10.3 bar). Pressure drop 3 PSID (0.2 bar).

“A28” Series Afterfilters, with Type “B” 0.5 micron elements:

All Wilkerson Type “AF” Afterfilters with Type “B” 0.5 micron elements **exceed ISO** Class 2 for maximum particle size and concentration of solid contaminants, and **exceed** Class 3 on maximum oil content (ppm/wt).

Materials of Construction

Body	Zinc	
Body Cap	ABS	
Bowls	Plastic Bowl	Polycarbonate
	Metal Bowl	Aluminum
Filter Element	Type “B”	Borosilicate Fiber
Seals	Nitrile	
Sight Gauge	Metal Bowl	Nylon



Dimensions

Models	Inches (mm)	A	B	C	D	E	F	G
Standard Unit A28-XX-BK00		2.90 (74)	2.90 (74)	1.00 (26)	7.40 (188)	8.40 (213)	2.00 (51)	1.42 (36)
Metal Bowl with Sight Gauge / Manual Drain A28-XX-BL00		2.90 (74)	3.23 (82)	1.00 (26)	7.40 (188)	8.40 (213)	2.00 (51)	1.42 (36)

Replacement Bowl Kits

- Metal Bowl with Sight Gauge,
Manual Drain..... GRP-96-644
- Plastic Bowl / Bowl Guard,
Manual Drain..... GRP-96-642
- Plastic Bowl, Plastic Guard,
No Drain..... GRP-96-652

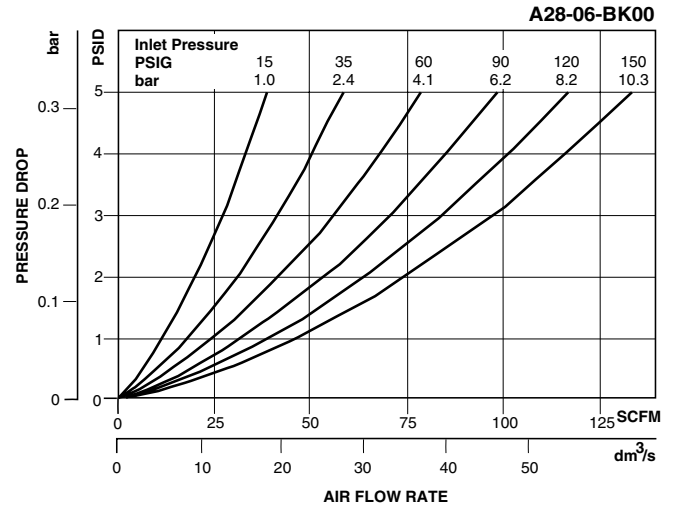
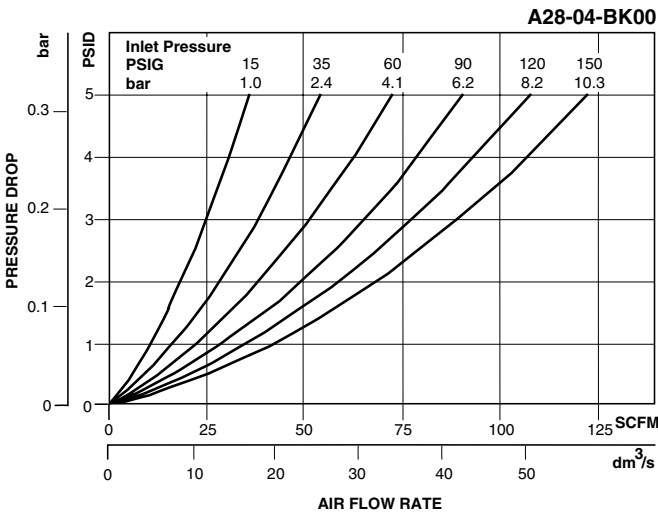
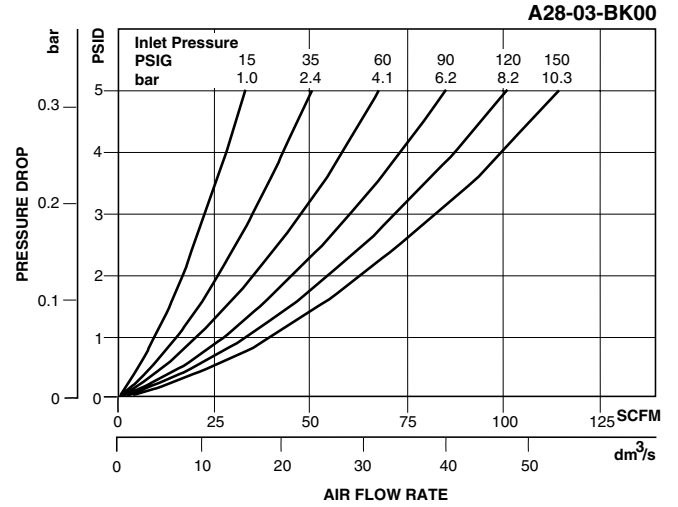
Replacement Element Kit

- Type "B", 0.5 Micron..... MSP-96-649

Accessories

- Wall Mounting Bracket –
C-Type GPA-96-605
- T-Type GPA-96-602

= "Most Popular"



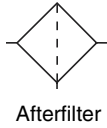
Ordering Information

Model Type	Port Size	Polycarbonate Bowl / Bowl Guard / "B" Element	Metal Bowl / Sight Gauge / "B" Element
Type "B" Element is Standard (Manual Drain)	3/8	A28-03-BK00	A28-03-BL00
	1/2	A28-04-BK00	A28-04-BL00
	3/4	A28-06-BK00	A28-06-BL00

Options - To order an option supplied with the unit model, add the appropriate coded suffix letter in the designated position of the model number.

Afterfilter

AF1



AF1-02-S00

Features

- Quick-Disconnect Bowl
- Metal Bowl Guard
- 0.5 Micron Element
- Particulate Filter
- High Dirt Holding Capacity

= "Most Popular"

Specifications

Flow Capacity*	1/4	37.0 SCFM (17.5 dm ³ /s)
	3/8	43.5 SCFM (20.5 dm ³ /s)
	1/2	45.0 SCFM (21.1 dm ³ /s)
Maximum Supply Pressure	Plastic Bowl	150 PSIG (10.3 bar)
	Metal Bowl	200 PSIG (13.8 bar)
Operating Temperature	Plastic Bowl	32° to 125°F (0° to 52°C)
	Metal Bowl	32° to 150°F (0° to 65.5°C)
Port Size	NPT / BSPP-G	1/4, 3/8, 1/2
Standard Filtration	Micron	0.5
Useful Retention	oz. (cm ³)	2.7 (80.8)
Weight	lb. (kg)	2.6 (1.2)

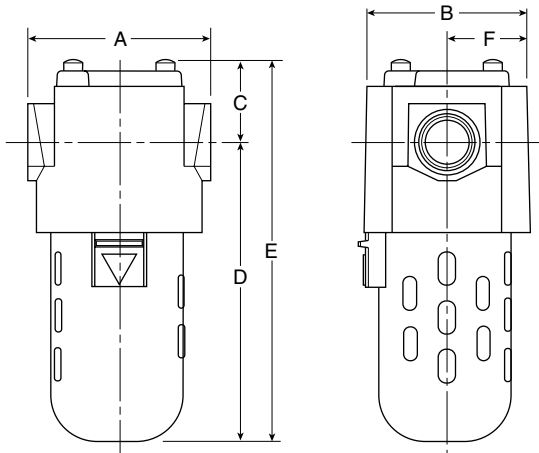
* Inlet pressure 150 PSIG (10.3 bar). Pressure drop 3 PSID (0.2 bar).

"AF" Series Afterfilters, with Type "B" 0.5 micron elements:

All Wilkerson Type "AF" Afterfilters with 0.5 micron elements **exceed** ISO Class 2 for maximum particle size and concentration of solid contaminants, and **exceed** Class 3 on maximum oil content (ppm/wt).

Materials of Construction

Body	Zinc	
Bowls	Plastic Bowl	Polycarbonate
	Metal Bowl	Zinc
Element Retainer	Brass Stud	
Filter Element	Borosilicate Fibre	
Seals	Fluorocarbon	



Dimensions

Models	Inches (mm)	A	B	C	D	E	F
Standard Unit, "B" Element AF1-XX-S00		2.99 (76)	2.59 (66)	.98 (25)	5.51 (139.9)	6.49 (165)	1.29 (33)
Metal Bowl AF1-XX-MS0		2.99 (76)	2.59 (66)	.98 (25)	9.74 (171.2)	7.72 (196)	1.29 (33)

= "Most Popular"

Replacement Bowl Kits

- Metal Bowl –
 Brass Petcock FRP-95-178
 Sight Gauge, Brass Petcock..... GRP-95-133

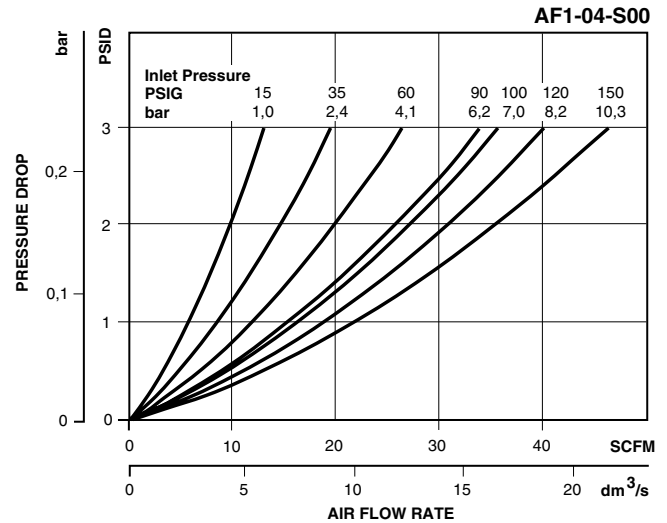
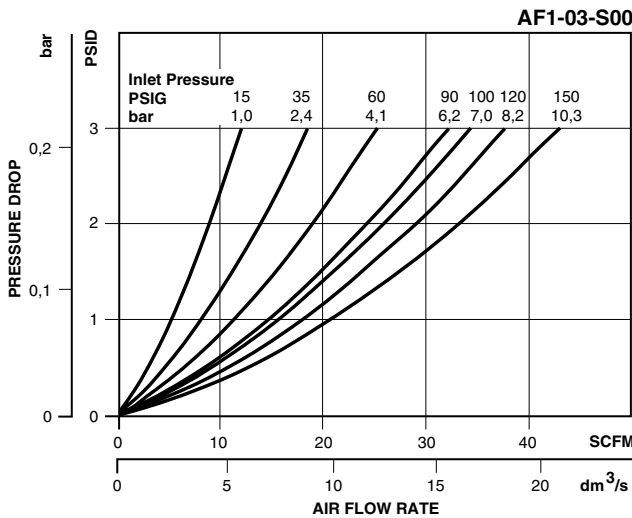
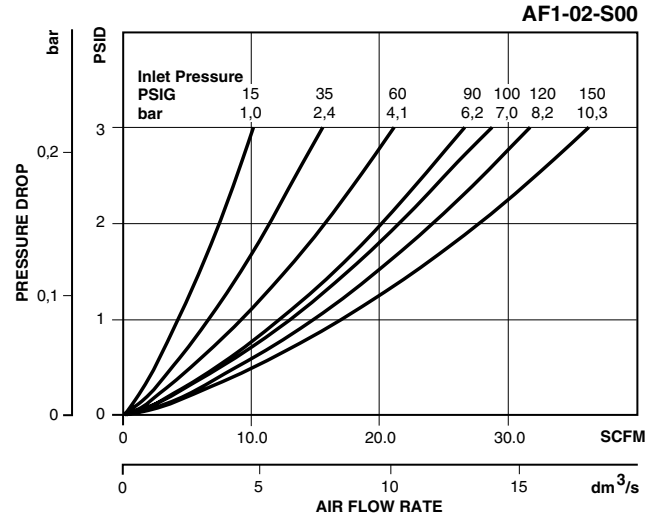
- Plastic Bowl –
 Plastic Petcock.....LRP-96-543
 Plastic Bowl, No Drain Port.....LRP-96-937

Replacement Element Kit

- Type "B", 0.5 Micron..... MSP-95-988

Accessories

- Cap, Replaces Differential Pressure Indicator
 for Pressures over 150 PSIG (10,3 bar) GRP-95-020
 Differential Pressure Indicator DP2-01-000
 Manual Drain –
 Brass Petcock.....GRP-95-182
 Plastic PetcockLRP-95-181
 Sight Gauge Kit (for Metal Bowls) GRP-95-079
 Wall Mounting Bracket, Type-L.....GPA-95-016



Ordering Information

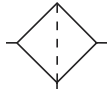
Model Type	Port Size	Polycarbonate Bowl / Bowl Guard / No Drain	Metal Bowl with Petcock
Type "B" Element is Standard (No Drain)	1/4	AF1-02-S00	AF1-02-MS0
	3/8	AF1-03-S00	AF1-03-MS0
	1/2	AF1-04-S00	AF1-04-MS0

Options - To order an option supplied with the unit model, add the appropriate coded suffix letter in the designated position of the model number.



Afterfilter

AF2



Afterfilter



AF2-04-S00

Features

- Quick-Disconnect Bowl
- Metal Bowl Guard
- 0.5 Micron Element
- Particulate Filter
- High Dirt Holding Capacity

Specifications

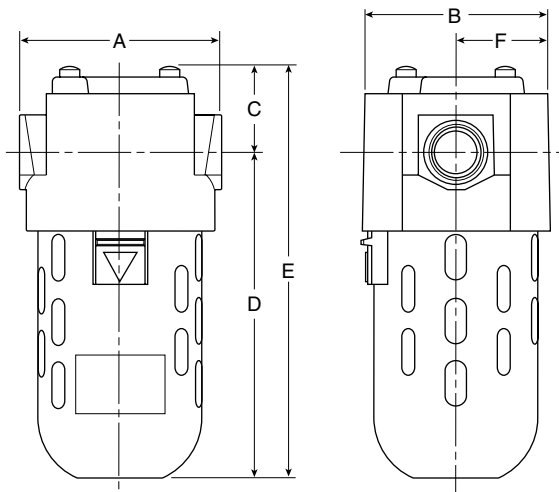
Flow Capacity*	1/4	55.7 SCFM (26.3 dm ³ /s)
	3/8	77.3 SCFM (36.5 dm ³ /s)
	1/2	91.0 SCFM (42.9 dm ³ /s)
Maximum Supply Pressure	Plastic Bowl	150 PSIG (10.3 bar)
	Metal Bowl	200 PSIG (13.8 bar)
Operating Temperature	Plastic Bowl	32° to 125°F (0° to 52°C)
	Metal Bowl	32° to 150°F (0° to 65.5°C)
Port Size	NPT / BSPP-G 1/4, 3/8, 1/2	
Standard Filtration	Micron	0.5
Useful Retention	oz. (cm ³)	1.7 (51.5)
Weight	lb. (kg)	2.44 (1.1)

* Inlet pressure 150 PSIG (10.3 bar). Pressure drop 3 PSID (0.2 bar).

“AF” Series Afterfilters, with Type “B” 0.5 micron elements:
 All Wilkerson Type “AF” Afterfilters with 0.5 micron elements **exceed** ISO Class 2 for maximum particle size and concentration of solid contaminants, and **exceed** Class 3 on maximum oil content (ppm/wt).

Materials of Construction

Body	Zinc	
Bowls	Plastic Bowl	Polycarbonate
	Metal Bowl	Zinc
Element Retainer	Brass Stud	
Filter Element	Borosilicate Cloth	
Seals	Fluorocarbon	



Dimensions

Models	Inches (mm)	A	B	C	D	E	F
Standard Unit, “B” Element AF2-XX-S00		3.35 (85)	3.00 (76)	1.42 (36)	5.52 (140.2)	6.94 (176)	1.50 (38)
Metal Bowl AF2-XX-MS0		3.35 (85)	3.00 (76)	1.42 (36)	6.30 (160)	7.72 (196)	1.50 (38)

= “Most Popular”

= "Most Popular"

Replacement Bowl Kits

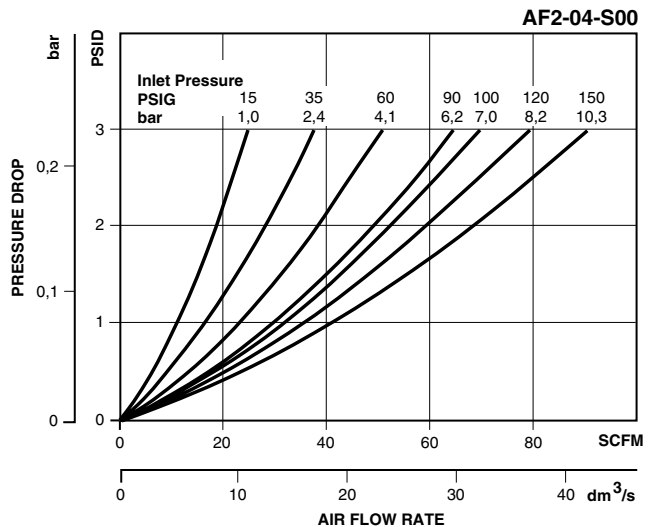
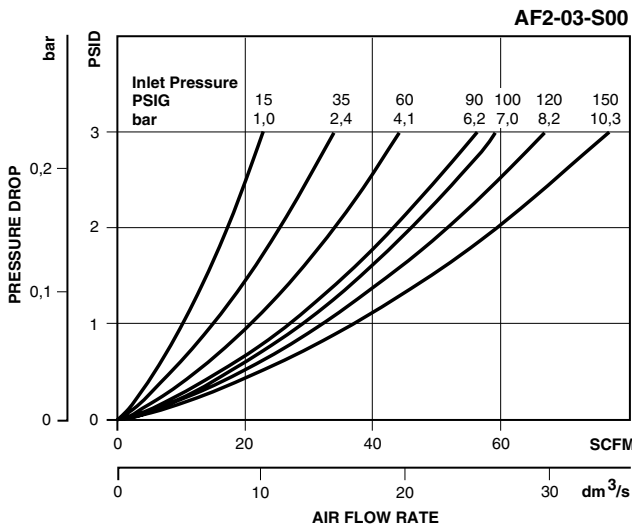
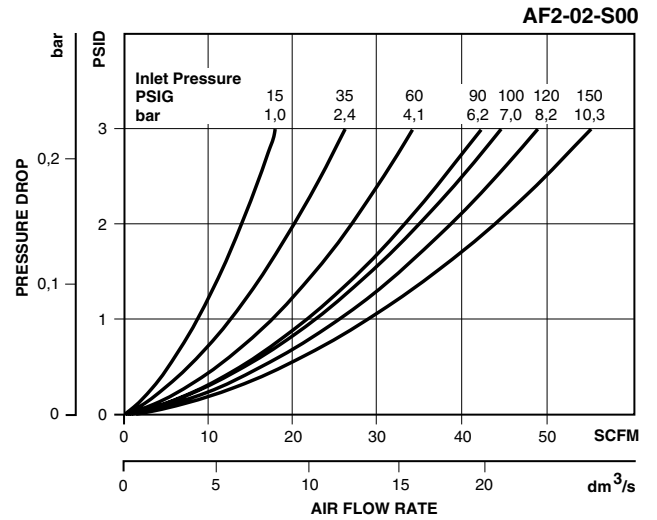
- Metal Bowl –
 - Brass Petcock GRP-95-930
 - Sight Gauge, Brass Petcock GRP-95-931
- Metal Bowl Guard (for Plastic Bowls) GRP-96-936
- Plastic Bowl –
 - Plastic Petcock LRP-95-958
 - Metal Bowl Guard, Plastic Petcock LRP-95-967
- Plastic Bowl, No Drain Port, Solid Bottom LRP-96-938

Replacement Element Kit

- Type "B", 0.5 Micron MSP-95-989

Accessories

- Cap, Differential Pressure Indicator
for Pressures over 150 PSIG (10,3 bar) GRP-95-020
- Differential Pressure Indicator DP2-01-000
- Manual Drain –
 - Brass Petcock GRP-95-182
 - Plastic Petcock LRP-95-181
- Sight Gauge Kit (for Metal Bowls) GRP-95-079
- Wall Mounting Bracket, Type-L GPA-95-946



Ordering Information

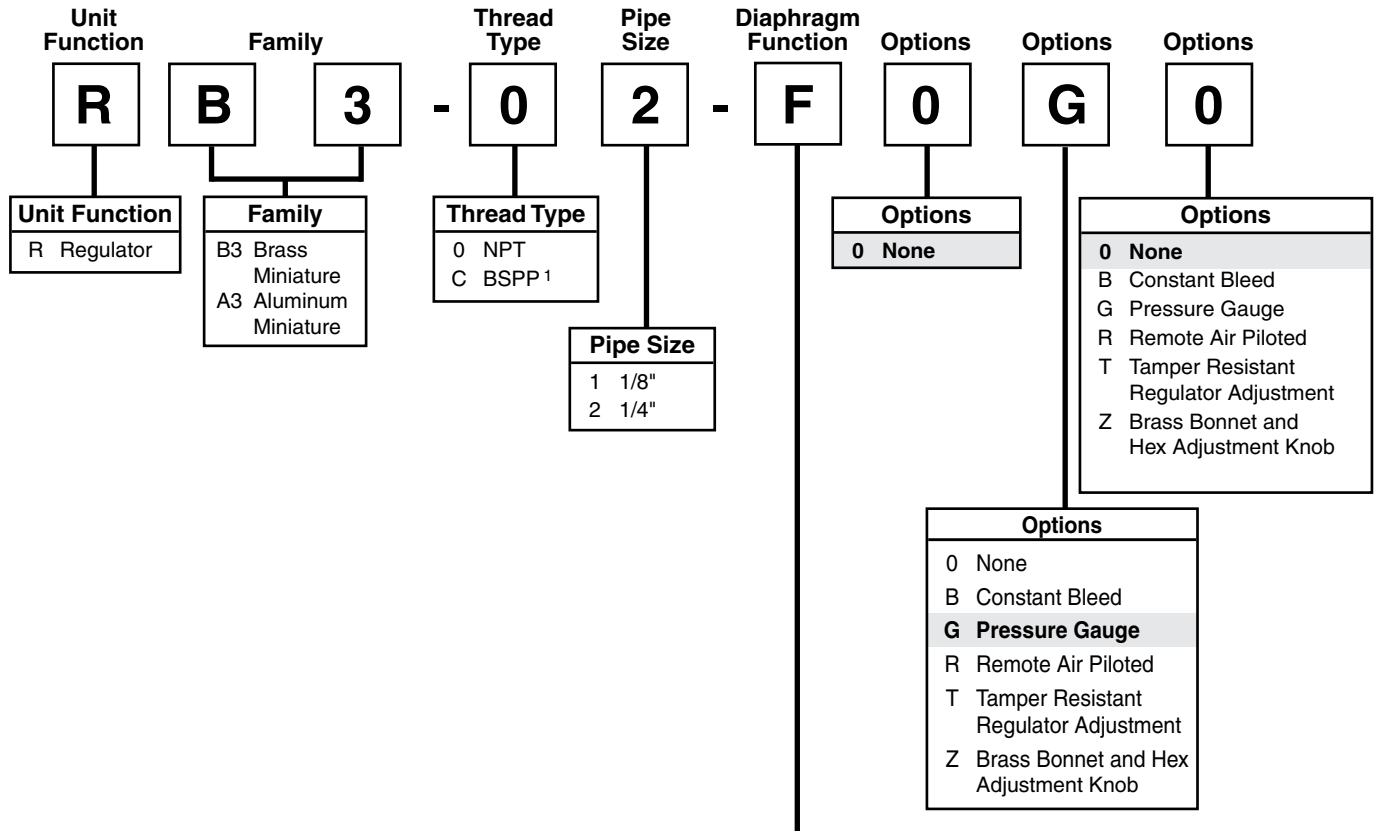
Model Type	Port Size	Polycarbonate Bowl / Bowl Guard / No Drain	Metal Bowl with Petcock
Type "B" Element is Standard (No Drain)	1/4	AF2-02-S00	AF2-02-MS0
	3/8	AF2-03-S00	AF2-03-MS0
	1/2	AF2-04-S00	AF2-04-MS0

Options - To order an option supplied with the unit model, add the appropriate coded suffix letter in the designated position of the model number.



RB3 / RA3 Series Regulator Numbering System

 = "Most Popular"



Diaphragm Function	Fluorocarbon	Spring Range		
		1 to 25 PSIG (0.07 to 1.7 bar)	1 to 60 PSIG (0.07 to 4.1 bar)	2 to 125 PSIG (0.14 to 8.6 bar)
Relieving	No	C	D	F
	Yes	J	K	L
Non-relieving ¹	No	P	W	R
	Yes	V	X	Y

¹ ISO, R228 (G Series)

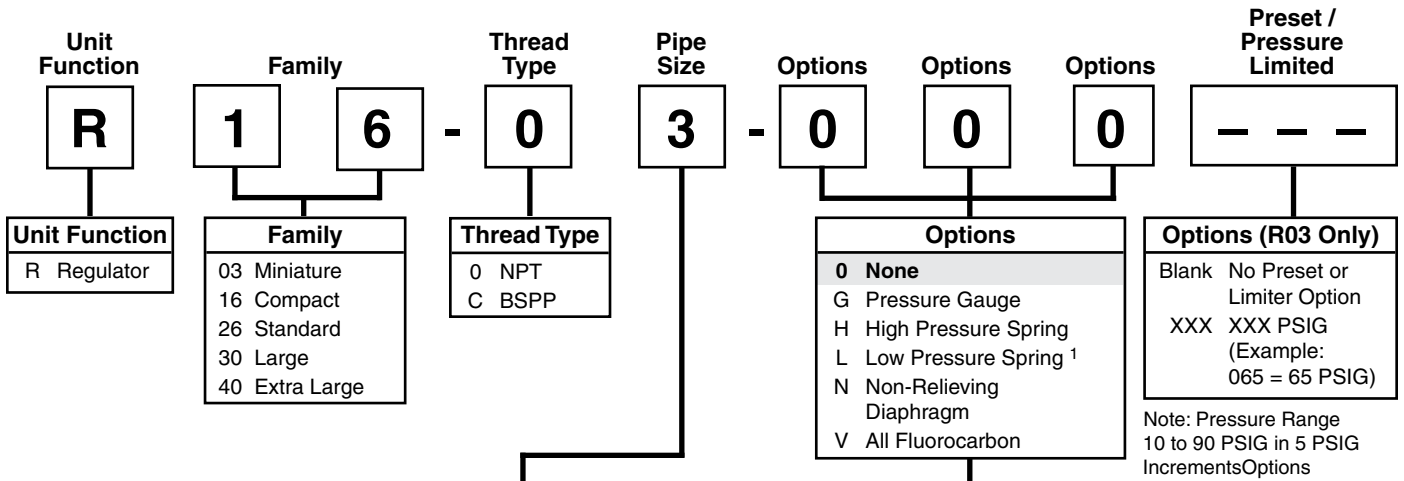
NOTE: Standard pressure adjustment is plastic "snap lock" knob and plastic bonnet with plastic panel mount nut.

NOTE: When selecting from the options columns, please enter letters in alphabetical order for positions 8, and 9. For example:

RB3 - 0 3 - F 0 G T

Regulator Numbering System

= "Most Popular"



Unit Function
R Regulator

Family
03 Miniature
16 Compact
26 Standard
30 Large
40 Extra Large

Thread Type
0 NPT
C BSPP

Options
0 None
G Pressure Gauge
H High Pressure Spring
L Low Pressure Spring ¹
N Non-Relieving Diaphragm
V All Fluorocarbon

Options (R03 Only)
Blank No Preset or Limiter Option
XXX XXX PSIG (Example: 065 = 65 PSIG)

Note: Pressure Range 10 to 90 PSIG in 5 PSIG Increments Options

Code	Pipe Size	Series				
		03	16	26	30	40
1	1/8"	X				
2	1/4"	X	X	X		
3	3/8"		X	X		
4	1/2"		X	X		
6	3/4"				X	
8	1"				X	
A	1-1/4"				X	
B	1-1/2"					X
C	2"					X

Options (R03 Only)
0 Standard, 2 to 125 PSI, Relieving
G** Pressure Gauge
J*† Preset, Adjustable
K*† Preset, Non-Adj. / Epoxy
L 1 to 60 PSI, Relieving
M Panel Nut Included
N 2 to 125 PSI, Non-Relieving
P 1 to 30 PSI, Relieving
Q 1 to 15 PSI, Relieving
R*† Pressure Limiter
S 1 to 60 PSI, Non-Relieving
T 1 to 30 PSI, Non-Relieving
U 1 to 15 PSI, Non-Relieving

- * Inlet pressure is 100 PSIG. For other pressures, consult factory.
- ** Not available with BSPP thread type.
- † Must specify preset or limited pressure.

Spring Type by Preset / Limited Pressure:
 For Preset / Limited Pressure 10 to 25 use 30 PSI Spring
 For Preset / Limited Pressure 26 to 50 use 60 PSI Spring
 For Preset / Limited Pressure 51 to 90 use 125 PSI Spring

¹ Not available on R30.

If more than one option is desired, arrange them in alphabetical order in positions 6, 7, and 8.

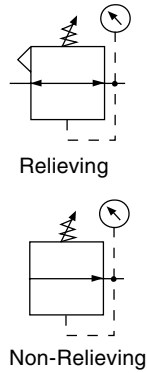


Miniature Regulator

RB3 Brass

RA3 Aluminum

= "Most Popular"



RB3-02-F000

Features

- Brass Body Construction Handles Water and Compressed Air Service
- Large Diaphragm to Valve Area Ratio for Precise Regulation and High Flow Capacity
- Spring Loaded Diaphragm
- High Flow: 1/4" -14 SCFM
- Panel Mount Nut Standard
- Two 1/8" Gauge Ports

Specifications

Flow Capacity*	1/4	14 SCFM (6.6 dm ³ /s)
Maximum Supply Pressure		300 PSIG (20.7 bar)
Operating Temperature		40° to 125°F (4.4° to 51.7°C)
Port Size	NPT / BSPP-G	1/8, 1/4
Weight	lb. (kg)	0.5 (0.23)

* Inlet pressure 100 PSIG (6.9 bar). Secondary pressure 90 PSIG (6.2 bar). (flow at 25% pressure drop)

Materials of Construction

Body	RB3	Brass
	RA3	Aluminum
Bonnet		Acetal
Diaphragm & Seals		Nitrile
Valve Assembly & Bottom Plug		Brass

Note: Panel Nut included, but not shown on dimensional drawing.

Note: 1.19" dia. (30.2) mm hole required for panel mounting.

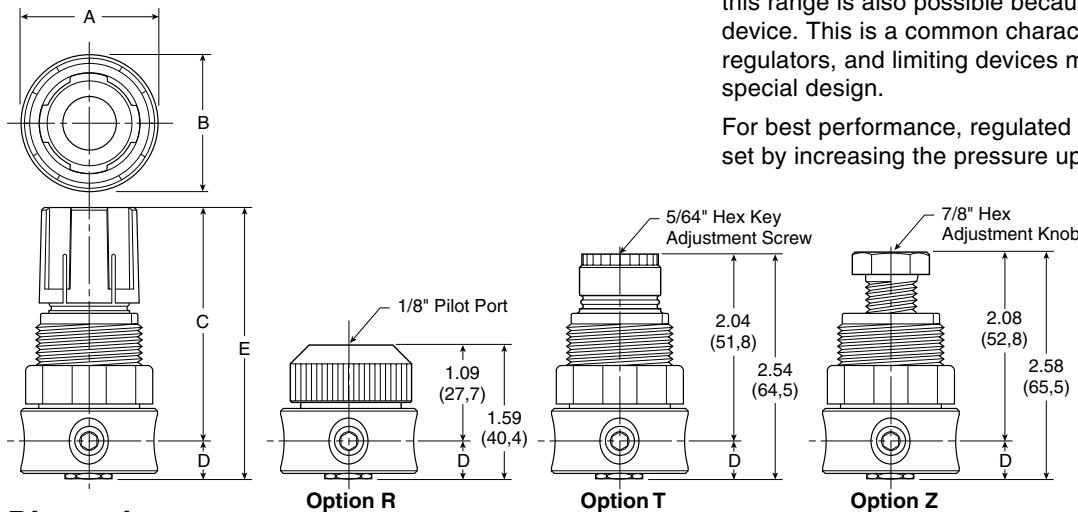
⚠ WARNING

**Product rupture can cause serious injury.
Do not connect regulator to bottled gas.
Do not exceed maximum primary pressure rating.**

CAUTION:

REGULATOR PRESSURE ADJUSTMENT – The working range of knob adjustment is designed to permit outlet pressures within their full range. Pressure adjustment beyond this range is also possible because the knob is not a limiting device. This is a common characteristic of most industrial regulators, and limiting devices may be obtained only by special design.

For best performance, regulated pressure should always be set by increasing the pressure up to the desired setting.



Dimensions

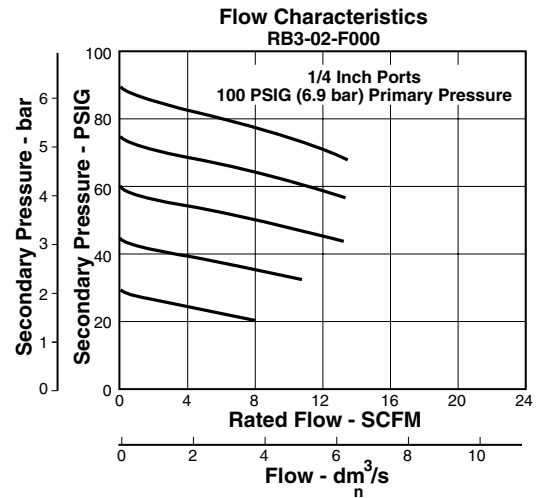
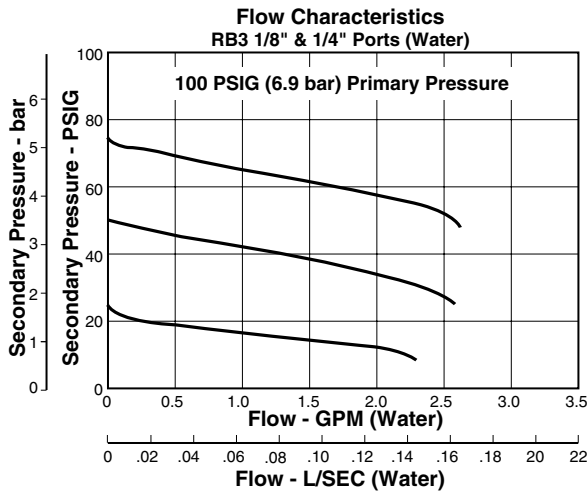
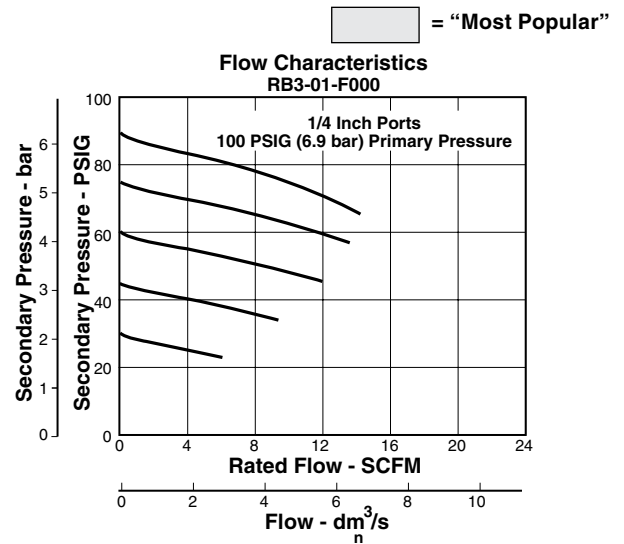
Model	Inches (mm)	A	B	C	D	E
Brass Regulator - Miniature RB3-XX-XXXX		1.56 (39.8)	1.56 (39.8)	2.56 (65)	.50 (12.7)	3.06 (77.7)
Aluminum Regulator - Miniature RA3-XX-XXXX		1.56 (39.8)	1.56 (39.8)	2.56 (65)	.50 (12.7)	3.06 (77.7)

Repair Kits

- Bonnet, Knob, Adjusting Screw Kit..... RRP-96-821
- Bonnet, Tamper Resistant Adjustment Kit..... RRP-96-822
- Repair Kit –
 - Relieving..... RRP-96-824
 - Non-relieving RRP-96-825

Accessories

- Gauge, Pressure –
 - 0-160 PSI (0-11,0 bar), 1-1/2" Dial Face, 1/8" NPT, CBM K4515N18160
 - 0-60 PSI (0-4,1 bar), 1-1/2" Dial Face, 1/8" NPT K4515N18060
- Panel Mount Nut –
 - Aluminum..... RPA-96-733
 - Plastic RPA-96-734
- Wall Mounting Bracket –
 - L-Type GRP-95-147
 - L-Type with Plastic Panel Mount Nut..... GRP-95-747



Ordering Information

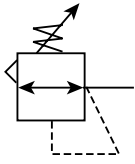
Model Type	Port Size	Without Gauge 2 to 125 PSI (0.14 to 8.6 bar)	Without Gauge 1 to 60 PSI (0.07 to 4.1 bar)	Without Gauge 1-25 PSI (0.07 to 1.7 bar)
Relieving	1/8"	RB3-01-F000	RB3-01-D000	RB3-01-C000
	1/4"	RB3-02-F000	RB3-02-D000	RB3-02-C000
Non-relieving	1/8"	RB3-01-R000	RB3-01-W000	RB3-01-P000
	1/4"	RB3-02-R000	RB3-02-W000	RB3-02-P000
Relieving	1/8"	RA3-01-F000	RA3-01-D000	RA3-01-C000
	1/4"	RA3-02-F000	RA3-02-D000	RA3-02-C000
Non-relieving	1/8"	RA3-01-R000	RA3-01-W000	RA3-01-P000
	1/4"	RA3-02-R000	RA3-02-W000	RA3-02-P000

Options - To order an option supplied with the unit model, add the appropriate coded suffix letter in the designated position of the model number.



Regulator

R03



R03-02-000

Features

- Unbalanced Poppet Standard
- Solid Control Piston with Lip Seal for Extended Life
- Non-rising Adjusting Knob
- Compact, 3.08 inch (78mm) High by 1.65 inch (42mm) Wide
- Easily Serviced

= "Most Popular"

Specifications

Flow Capacity*	1/8	13 SCFM (6.14 dm ³ /s)
	1/4	15 SCFM (7.08 dm ³ /s)
Gauge Ports (2)	1/8	
Port Threads	1/8, 1/4 Inch	
Pressure & Temperature Ratings	0 to 300 PSIG (0 to 20.7 bar) 32°F to 125°F (0°C to 52°C)	
Secondary Pressure Ranges –		
Standard Pressure	2 to 125 PSIG (0 to 8.6 bar)	
Medium Pressure	1 to 60 PSIG (0 to 4.1 bar)	
Medium Pressure	1 to 30 PSIG (0 to 2.1 bar)	
Low Pressure	1 to 15 PSIG (0 to 1.0 bar)	
Weight	.3 lb. (.14 kg)	

* Inlet pressure 100 PSIG (6.9 bar). Secondary pressure 90 PSIG (6.2 bar) and 10 PSIG pressure drop.

Materials of Construction

Adjusting Nut	Brass
Adjusting Stem & Spring	Steel
Body	Zinc
Bonnet, Seat, Piston & Valve Poppet	Plastic
Seals	Nitrile

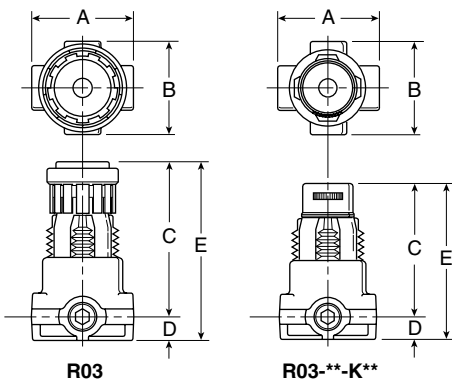
WARNING

Product rupture can cause serious injury.
Do not connect regulator to bottled gas.
Do not exceed maximum primary pressure rating.

CAUTION:

REGULATOR PRESSURE ADJUSTMENT – The working range of knob adjustment is designed to permit outlet pressures within their full range. Pressure adjustment beyond this range is also possible because the knob is not a limiting device. This is a common characteristic of most industrial regulators, and limiting devices may be obtained only by special design.

For best performance, regulated pressure should always be set by increasing the pressure up to the desired setting.



Note: 1.218" dia. (31) mm hole required for panel mounting.

Dimensions

Model	Inches (mm)	A	B	C	D	E
Standard Unit R03-XX-XXX		1.65 (42)	1.56 (39.6)	2.50 (63.5)	.38 (9.6)	2.88 (73)
Preset, Non-Adjustable Unit R03-XX-KXX		1.65 (42)	1.56 (39.6)	2.28 (57.9)	.38 (9.6)	2.66 (67.6)

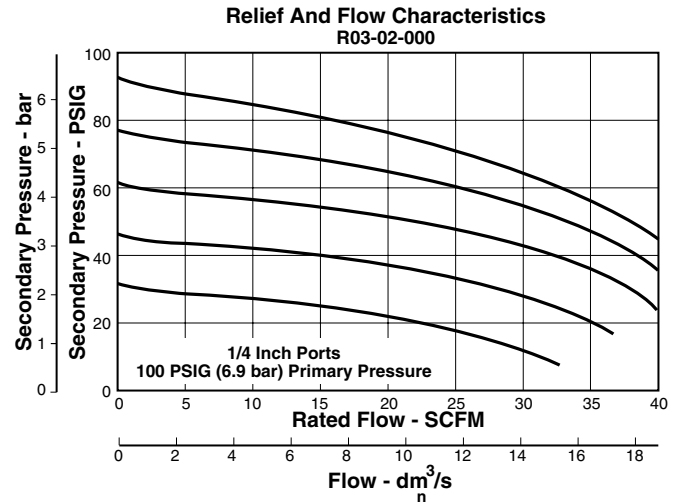
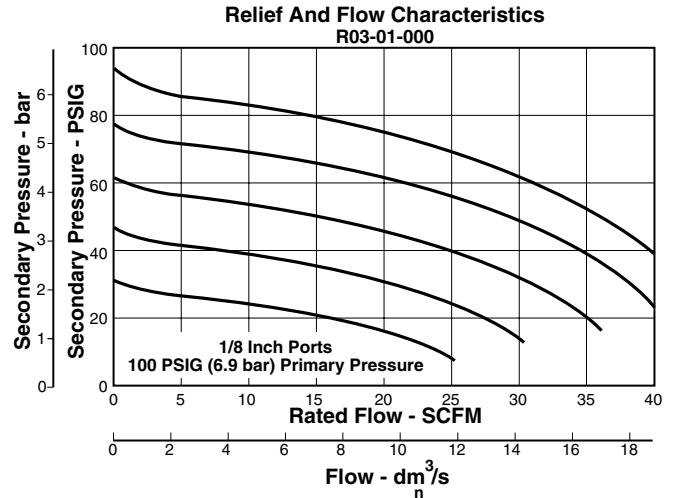
Replacement Kits

- Service Kits –
 - Non-Relieving PS422
 - Relieving PS423
- Springs –
 - 1-30 PSIG Range P01175
 - 1-60 PSIG Range P01174
 - 2-125 PSIG Range P01173
 - 1-15 PSIG Range P01176

Accessories

- Gauges –
 - 30 PSIG, 1/8" NPT (0 to 2.1 bar) K4515N18030
 - 60 PSIG, 1/8" NPT (0 to 4.1 bar) K4515N18060
 - 160 PSIG, 1/8" NPT (0 to 11.0 bar) K4515N18160
- Mounting Bracket Kit (Includes Panel Mount Nut) PS417B
- Panel Mount Nuts –
 - Plastic P78652
 - Metal P01531
- Poppet Valve Kit PS424B

= "Most Popular"



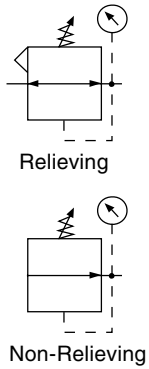
E

Ordering Information					
Model Type	Port Size	Without Gauge 2 to 125 PSIG (0.2 to 8.6 bar)	Without Gauge 1 to 60 PSIG (0.2 to 4.1 bar)	Without Gauge 1 to 30 PSIG (0.2 to 2.1 bar)	Without Gauge 1 to 15 PSIG (0.2 to 1.0 bar)
Relieving	1/8	R03-01-000	R03-01-L00	R03-01-P00	R03-01-Q00
	1/4	R03-02-000	R03-02-L00	R03-02-P00	R03-02-Q00

Options - To order an option supplied with the unit model, add the appropriate coded suffix letter in the designated position of the model number.

Regulator

R16



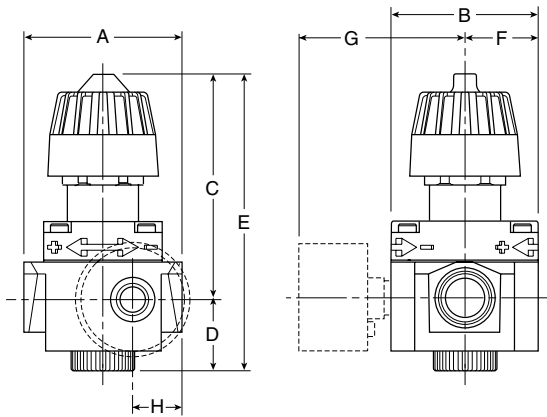
R16-02-000

Features

- Non-Rising Adjustment Knob with Friction Lock Knob
- Standard with Two Full Flow 1/4" NPT / BSPT-Rc Gauge Ports
- Panel Mount Nut
- High Flow Capacity
- Balanced Valve Design for Excellent Regulation Characteristics

⚠ WARNING

**Product rupture can cause serious injury.
Do not connect regulator to bottled gas.
Do not exceed maximum primary pressure rating.**



NOTE: 1.31" Dia. (33.3 mm) hole required for panel nut mounting.

Dimensions

Models	Inches (mm)	A	B	C	D	E	F	G	H
Standard Unit R16-XX-000		2.99 (76)	2.59 (66)	3.99 (101.3)	1.20 (30.5)	5.19 (132)	1.29 (33)	— —	1.02 (25.9)
With Gauge R16-XX-G00		2.99 (76)	2.59 (66)	3.99 (101.3)	1.20 (30.5)	5.19 (132)	1.29 (33)	2.80 (71)	1.02 (25.9)

= "Most Popular"

Specifications

Flow Capacity*	1/4	71.5 SCFM (33.7 dm ³ /s)
	3/8	80.5 SCFM (38.0 dm ³ /s)
	1/2	88.0 SCFM (41.5 dm ³ /s)
Adjusting Range Pressure	0 to 60 PSIG (0 to 3.4 bar)	
	0 to 125 PSIG (0 to 8.5 bar)	
	0 to 250 PSIG (0 to 17.1 bar)	
Maximum Supply Pressure	300 PSIG (20.7 bar)	
Operating Temperature	32° to 150°F (0° to 65.5°C)	
Port Size	NPT / BSPP-G	1/4, 3/8, 1/2
Gauge Port (2 ea.)	NPT / BSPT-Rc	1/4
Weight	lb. (kg)	1.7 (0.77)

* Inlet pressure 100 PSIG (6.9 bar). Secondary pressure 90 PSIG (6.2 bar).

Materials of Construction

Body	Zinc
Bonnet	PBT
Diaphragm	Nitrile / Zinc
Panel Nut	Acetal
Seals	Nitrile
Springs	Steel
Valve Assembly	Brass / Nitrile / Acetal

CAUTION:

REGULATOR PRESSURE ADJUSTMENT – The working range of knob adjustment is designed to permit outlet pressures within their full range. Pressure adjustment beyond this range is also possible because the knob is not a limiting device. This is a common characteristic of most industrial regulators, and limiting devices may be obtained only by special design.

For best performance, regulated pressure should always be set by increasing the pressure up to the desired setting.

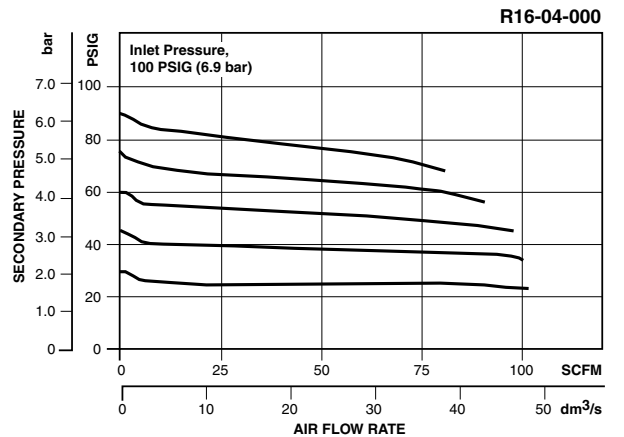
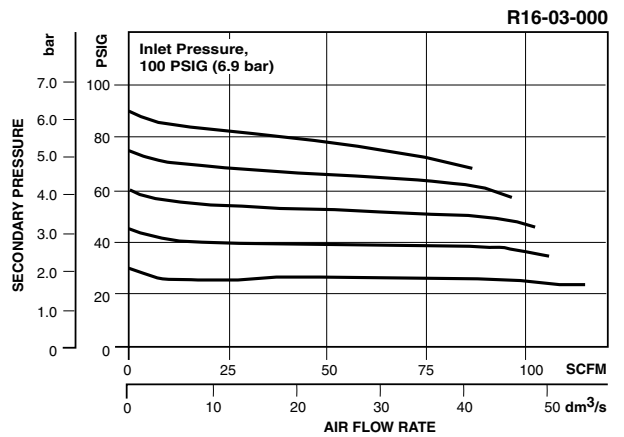
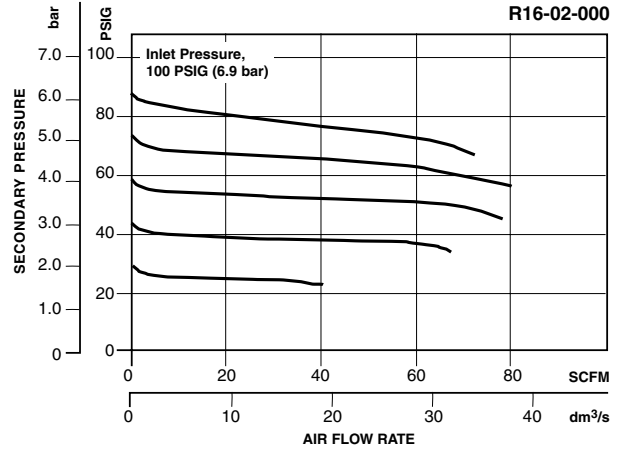
 = "Most Popular"

Replacement Kits

- Adjusting Knob..... RRP-95-023
- Diaphragm Assembly –
 - Non-relievingRRP-96-216
 - Self-relieving.....RRP-96-213
- Spring, Regulating –
 - 0 to 50 PSIG (0 to 3.4 bar) RRP-95-222
 - 0 to 125 PSIG (0 to 8.6 bar) RRP-95-224
 - 0 to 250 PSIG (0 to 17.2 bar).....RRP-95-218
- Valve Assembly –
 - Valve, Valve Spring, Bottom Plug O-ring.....RRP-96-215

Accessories

- Gauge, Pressure –
 - 0 to 60 PSIG (0 to 4 bar), 2" Dial Face, 1/4 NPT, CBM.....K4520N14060
 - 0 to 160 PSIG (0 to 11 bar), 2" Dial Face, 1/4 NPT, CBM..... K4520N14160
 - 0 to 300 PSIG (0 to 20 bar), 2" Dial Face, 1/4 NPT, CBM.....K4520N14300
- Panel Mount Nut, Plastic GPA-95-032
- Tamper Resistant Kit, Ring Style..... RPA-95-006
- Wall Mounting Bracket, Gauge Port Adapter, 1/4 NPT..... RRP-95-590
- Wall Mounting Bracket –
 - L-Type, Heavy DutyRPA-95-090
 - L-Type, Standard.....GPA-95-012
 - L-Type with Plastic Panel Mount Nut..... GPA-95-011



Ordering Information

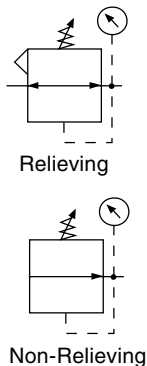
Model Type	Port Size	Without Gauge 5 to 125 PSIG (0.4 to 8.6 bar)	Without Gauge 10 to 250 PSIG (0.7 to 17.2 bar)	Without Gauge 3 to 60 PSIG (0.2 to 4.1 bar)	With Gauge 5 to 125 PSIG (0.4 to 8.6 bar)	With Gauge 10 to 250 PSIG (0.7 to 17.2 bar)	With Gauge 3 to 60 PSIG (0.2 to 4.1 bar)
Relieving	1/4	R16-02-000	R16-02-H00	R16-02-L00	R16-02-G00	R16-02-GH0	R16-02-GL0
	3/8	R16-03-000	R16-03-H00	R16-03-L00	R16-03-G00	R16-03-GH0	R16-03-GL0
	1/2	R16-04-000	R16-04-H00	R16-04-L00	R16-04-G00	R16-04-GH0	R16-04-GL0
Non-relieving	1/4	R16-02-N00	R16-02-HN0	R16-02-LN0	R16-02-GN0	R16-02-GHN	R16-02-GLN
	3/8	R16-03-N00	R16-03-HN0	R16-03-LN0	R16-03-GN0	R16-03-GHN	R16-03-GLN
	1/2	R16-04-N00	R16-04-HN0	R16-04-LN0	R16-04-GN0	R16-04-GHN	R16-04-GLN

Options - To order an option supplied with the unit model, add the appropriate coded suffix letter in the designated position of the model number.



Regulator

R26



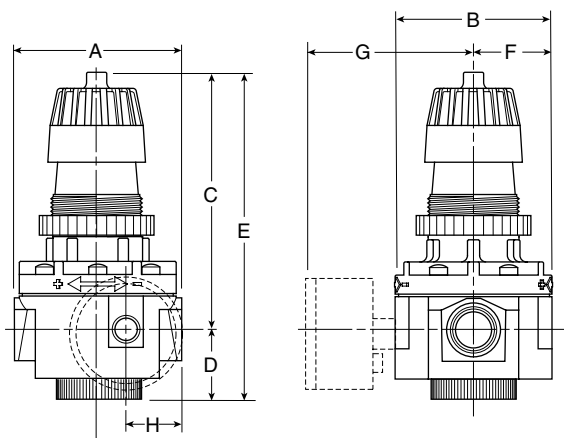
R26-02-000

Features

- Non-Rising Adjustment Knob with Friction Lock Knob
- Standard with Two Full Flow 1/4" NPT / BSPT-Rc Gauge Ports
- Panel Mount Nut
- High Flow Capacity
- Balanced Valve Design for Excellent Regulation Characteristics

⚠ WARNING

**Product rupture can cause serious injury.
Do not connect regulator to bottled gas.
Do not exceed maximum primary pressure rating.**



NOTE: 1.88" Dia. (47.8 mm) hole required for panel nut mounting.

Dimensions

Models	Inches (mm)	A	B	C	D	E	F	G	H
Standard Unit R26-XX-000		3.35 (85)	3.10 (79)	5.13 (130.3)	1.35 (34)	6.48 (165)	1.55 (39.4)	— —	1.13 (28.7)
With Gauge R26-XX-G00		3.35 (85)	3.10 (79)	5.13 (130.3)	1.35 (34)	6.48 (165)	1.55 (39.4)	3.13 (79.5)	1.13 (28.7)

= "Most Popular"

Specifications

Flow Capacity*	1/4	112 SCFM (53 dm ³ /s)
	3/8	148 SCFM (70 dm ³ /s)
	1/2	185 SCFM (87 dm ³ /s)

Adjusting Range Pressure	0 to 60 PSIG (0 to 4.1 bar)
	0 to 125 PSIG (0 to 8.6 bar)
	0 to 250 PSIG (0 to 17.2 bar)

Gauge Port (2 ea.)	NPT / BSPT-Rc	1/4
--------------------	---------------	-----

Operating Temperature	32° to 150°F (0° to 65.5°C)
-----------------------	-----------------------------

Maximum Supply Pressure	300 PSIG (21 bar)
-------------------------	-------------------

Port Size	NPT / BSPP-G	1/4, 3/8, 1/2
-----------	--------------	---------------

Weight	lb. (kg)	2.5 (1.34)
--------	----------	------------

* Inlet pressure 100 PSIG (6.9 bar). Secondary pressure 90 PSIG (6.2 bar).

Materials of Construction

Body	Zinc
Bonnet	PBT
Diaphragm	Nitrile / Zinc
Panel Nut	Acetal
Seals	Nitrile
Springs	Steel
Valve Assembly	Brass / Nitrile / Acetal

CAUTION:

REGULATOR PRESSURE ADJUSTMENT – The working range of knob adjustment is designed to permit outlet pressures within their full range. Pressure adjustment beyond this range is also possible because the knob is not a limiting device. This is a common characteristic of most industrial regulators, and limiting devices may be obtained only by special design.

For best performance, regulated pressure should always be set by increasing the pressure up to the desired setting.

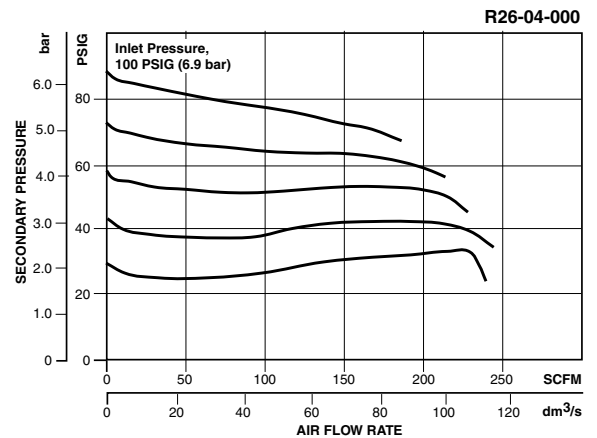
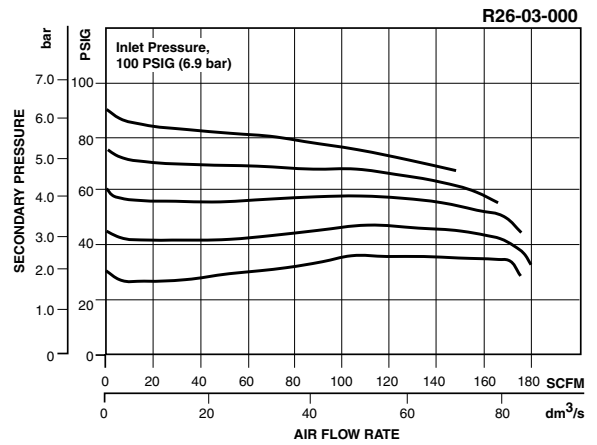
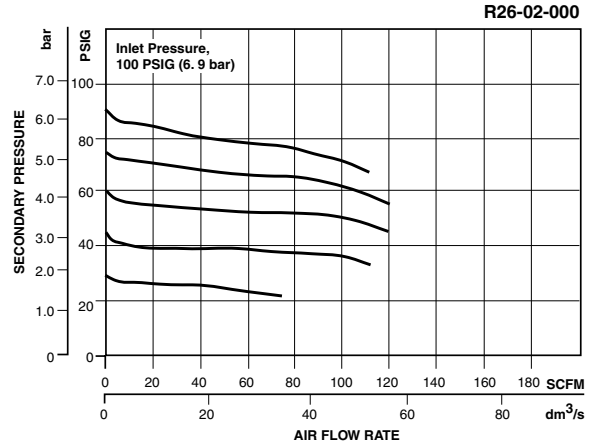
= "Most Popular"

Replacement Kits

- Diaphragm Assembly –
 - Non-relieving RRP-96-332
 - Self-relieving..... RRP-96-238
- Knob, Adjusting –
 - Used on Units with Plastic Bonnets RRP-95-023
- Spring, Regulating –
 - 0 to 60 PSIG (0 to 4,1 bar)..... RRP-95-962
 - 0 to 125 PSIG (0 to 8,6 bar) GRP-95-225
 - 0 to 250 PSIG (0 to 17,2 bar)..... RRP-95-219
- Valve Assembly –
 - Valve, Valve Spring, Bottom Plug O-ring RRP-96-294

Accessories

- Gauge, Pressure –
 - 0 to 60 PSIG (0 to 4 bar), 2" Dial Face, 1/4 NPT, CBM.....K4520N14060
 - 0 to 160 PSIG (0 to 11 bar), 2" Dial Face, 1/4 NPT, CBM..... K4520N14160
 - 0 to 300 PSIG (0 to 20 bar), 2" Dial Face, 1/4 NPT, CBM.....K4520N14300
- Nut, Panel Mount, Plastic RRP-95-954
- Tamper Resistant Kit –
 - Ring Style used on Plastic Bonnets..... RPA-95-006
- Wall Mounting Bracket –
 - C-typeGPA-95-051
 - C-typeRPA-95-947
 - L-Type – Heavy Duty GPA-95-956
- Wall Mounting Bracket, Gauge Port Adapter, 1/4 NPT..... RRP-95-590



Ordering Information

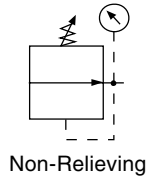
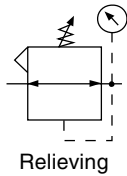
Model Type	Port Size	Without Gauge 5 to 125 PSIG (0.4 to 8.6 bar)	Without Gauge 10 to 250 PSIG (0.7 to 17.2 bar)	Without Gauge 3 to 60 PSIG (0.2 to 4.1 bar)	With Gauge 5 to 125 PSIG (0.4 to 8.6 bar)	With Gauge 10 to 250 PSIG (0.7 to 17.2 bar)	With Gauge 3 to 60 PSIG (0.2 to 4.1 bar)
Relieving	1/4	R26-02-000	R26-02-H00	R26-02-L00	R26-02-G00	R26-02-GH0	R26-02-GL0
	3/8	R26-03-000	R26-03-H00	R26-03-L00	R26-03-G00	R26-03-GH0	R26-03-GL0
	1/2	R26-04-000	R26-04-H00	R26-04-L00	R26-04-G00	R26-04-GH0	R26-04-GL0
Non-relieving	1/4	R26-02-N00	R26-02-HN0	R26-02-LN0	R26-02-GN0	R26-02-GHN	R26-02-GLN
	3/8	R26-03-N00	R26-03-HN0	R26-03-LN0	R26-03-GN0	R26-03-GHN	R26-03-GLN
	1/2	R26-04-N00	R26-04-HN0	R26-04-LN0	R26-04-GN0	R26-04-GHN	R26-04-GLN

Options - To order an option supplied with the unit model, add the appropriate coded suffix letter in the designated position of the model number.



Regulator

R30



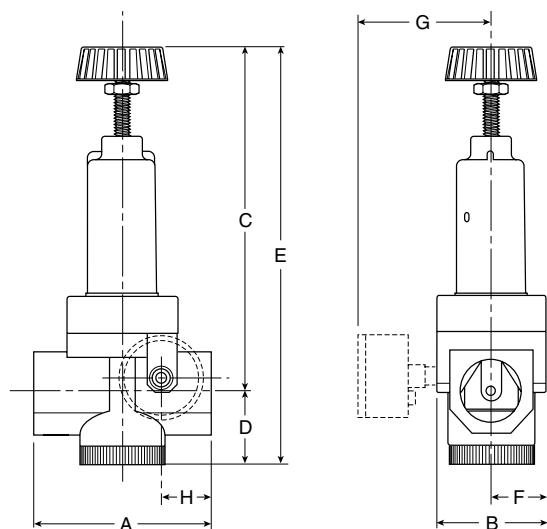
R30-06-000

Features

- Balanced Valve Design
- Standard Self-Relieving
- Two 1/4 NPT / BSPT-Rc Gauge Ports Standard – Can Be Used for Additional Outlet Ports
- Piston Operated
- High Flow Capacity

⚠ WARNING

**Product rupture can cause serious injury.
Do not connect regulator to bottled gas.
Do not exceed maximum primary pressure rating.**



Dimensions

Models	Inches (mm)	A	B	C	D	E	F	G	H
Standard Unit R30-XX-000		4.29 (109)	2.62 (66.5)	8.62 (218.9)	1.69 (43)	10.31 (262)	1.31 (33.3)	—	1.23 (31.2)
With Gauge R30-XX-G00		4.29 (109)	2.62 (66.5)	8.62 (218.9)	1.69 (43)	10.31 (262)	1.31 (33.3)	2.99 (76)	1.23 (31.2)

= "Most Popular"

Specifications

Flow Capacity*	3/4	481 SCFM (227 dm ³ /s)
	1	500 SCFM (236 dm ³ /s)
	1-1/4	800 SCFM (377 dm ³ /s)

Adjusting Range Pressure	0 to 125 PSIG (0 to 8.6 bar)
	0 to 180 PSIG (0 to 12.4 bar)

Gauge Port (2 ea.)	NPT / BSPT-Rc	1/4
--------------------	---------------	-----

Maximum Supply Pressure	300 PSIG (20.7 bar)
-------------------------	---------------------

Operating Temperature	32° to 150°F (0° to 65.5°C)
-----------------------	-----------------------------

Port Size	NPT / BSPP-G	3/4, 1, 1-1/4
-----------	--------------	---------------

Weight	lb. (kg)	6 (2.7)
--------	----------	---------

* Inlet pressure 100 PSIG (6.9 bar). Secondary pressure 80 PSIG (5.5 bar).

Materials of Construction

Body	Zinc
Bonnet	Zinc
Piston	Zinc
Seals	Nitrile
Springs	Steel
Valve Assembly	Brass / Nitrile / Steel

CAUTION:

REGULATOR PRESSURE ADJUSTMENT – The working range of knob adjustment is designed to permit outlet pressures within their full range. Pressure adjustment beyond this range is also possible because the knob is not a limiting device. This is a common characteristic of most industrial regulators, and limiting devices may be obtained only by special design.

For best performance, regulated pressure should always be set by increasing the pressure up to the desired setting.

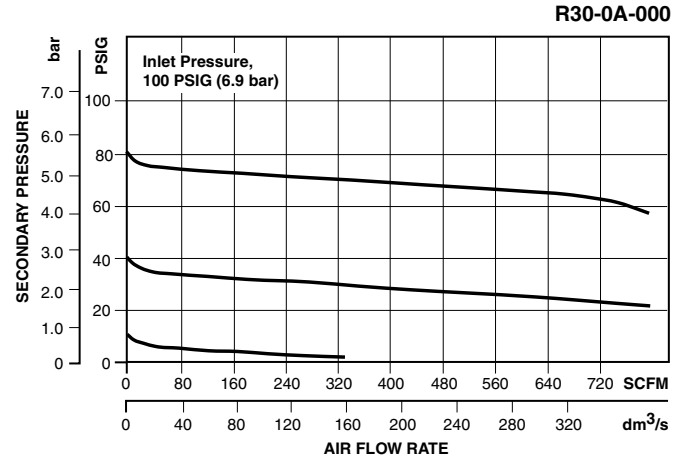
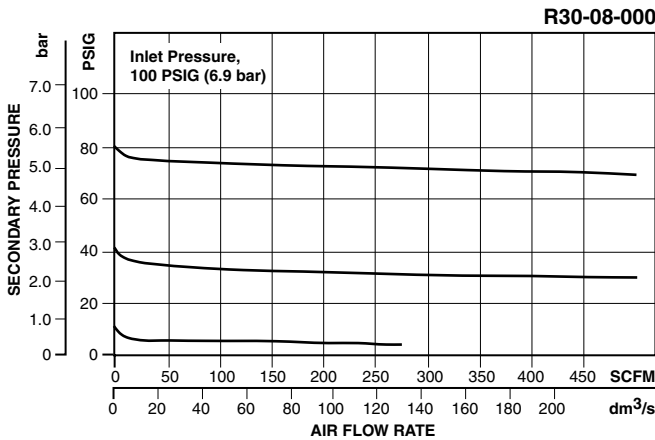
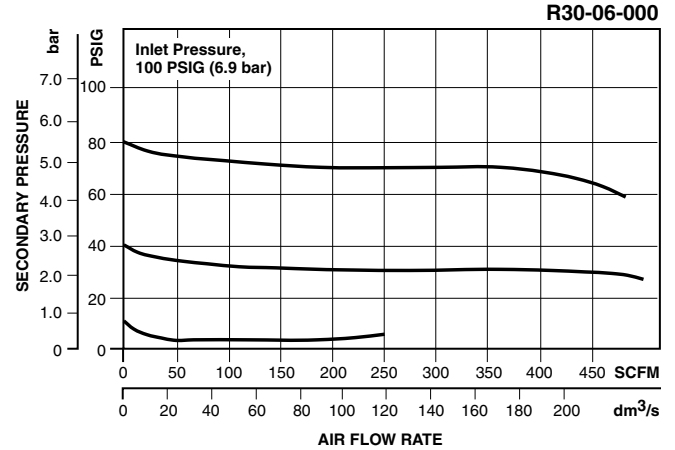
Replacement Kits

- Piston Assembly –
Non-relieving RRP-95-451
- Spring, Regulating –
0 to 125 PSIG (0 to 8.6 bar) RRP-95-226
0 to 180 PSIG (0 to 12.4 bar)..... RRP-95-220
- Valve Assembly –
Valve, Valve Spring, Bottom Plug O-ring RRP-95-159

Accessories

- Gauge, Pressure –
0 to 160 PSIG (0 to 11 bar), 2" Dial Face,
1/4" NPT, CBM K4520N14160
0 to 300 PSIG (0 to 20 bar), 2" Dial Face,
1/4" NPT, CBM K4520N14300
- Wall Mounting Bracket –
Gauge Port Adapter, 1/4" NPT RRP-95-590
U-bolt Pipe Clamp GRP-95-734

= "Most Popular"



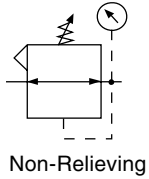
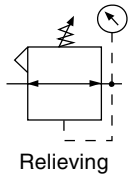
E

Ordering Information

Model Type	Port Size	Standard Pressure 10 to 125 PSIG (0.7 to 8.6 bar)	High Pressure 10 to 180 PSIG (0.7 to 12.4 bar)
Relieving	3/4	R30-06-000	R30-06-H00
	1	R30-08-000	R30-08-H00
	1-1/4	R30-0A-000	R30-0A-H00
Non-relieving	3/4	R30-06-N00	R30-06-HN0
	1	R30-08-N00	R30-08-HN0
	1-1/4	R30-0A-N00	R30-0A-HN0

Options - To order an option supplied with the unit model, add the appropriate coded suffix letter in the designated position of the model number.

Regulator R40



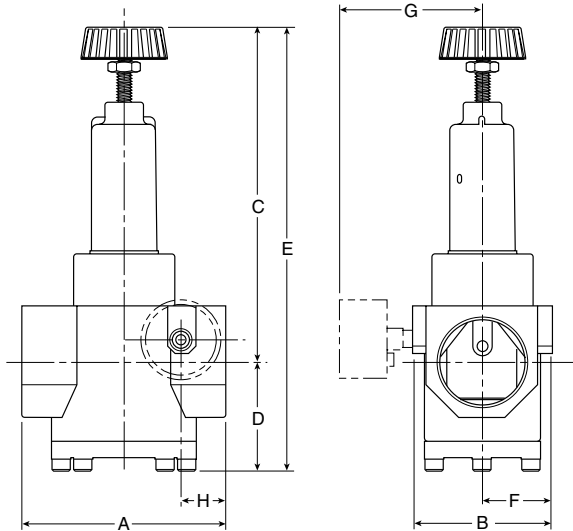
R40-0B-000

Features

- Balanced Valve Design
- Standard Self-Relieving
- Two 1/4 NPT / BSPT-Rc Gauge Ports Standard – Can Be Used for Additional Outlet Ports
- Piston Operated
- High Flow Capacity

⚠ WARNING

**Product rupture can cause serious injury.
Do not connect regulator to bottled gas.
Do not exceed maximum primary pressure rating.**



Dimensions

Models	Inches (mm)	A	B	C	D	E	F	G	H
Standard Unit R40-XX-000		5.31 (135)	3.58 (91)	9.09 (230.8)	2.79 (71)	11.88 (302)	— —	1.29 (33)	1.15 (29.2)
With Gauge (order separately) R40-XX-XXX		5.31 (135)	3.58 (91)	9.09 (230.8)	2.79 (71)	11.88 (302)	4.02 (102)	1.29 (33)	1.15 (29.2)

= "Most Popular"

Specifications

Flow Capacity*	1-1/2, 2	1200 SCFM (566 dm ³ /s)
Adjusting Range Pressure	0 to 125 PSIG (0 to 8.6 bar)	0 to 180 PSIG (0 to 12.4 bar)
Maximum Supply Pressure	300 PSIG (20.7 bar)	
Operating Temperature	32° to 150°F (0° to 65.5°C)	
Port Size	NPT / BSPP-G	1-1/2, 2
Gauge Port (2 ea.)	NPT / BSPT-Rc	1/4
Weight	lb. (kg)	10.8 (4.9)

* Inlet pressure 100 PSIG (6.9 bar). Secondary pressure 85 PSIG (5.9 bar).

Materials of Construction

Body	Zinc
Bonnet	Zinc
Piston	Zinc
Seals	Nitrile
Springs	Steel
Valve Assembly	Brass / Nitrile / Acetal

CAUTION:

REGULATOR PRESSURE ADJUSTMENT – The working range of knob adjustment is designed to permit outlet pressures within their full range. Pressure adjustment beyond this range is also possible because the knob is not a limiting device. This is a common characteristic of most industrial regulators, and limiting devices may be obtained only by special design.

For best performance, regulated pressure should always be set by increasing the pressure up to the desired setting.

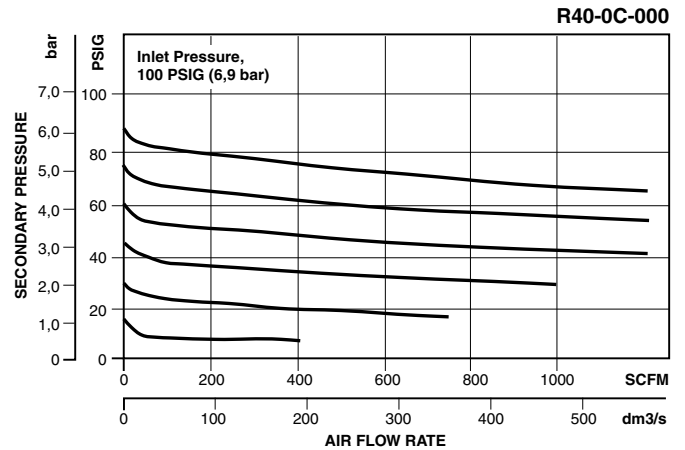
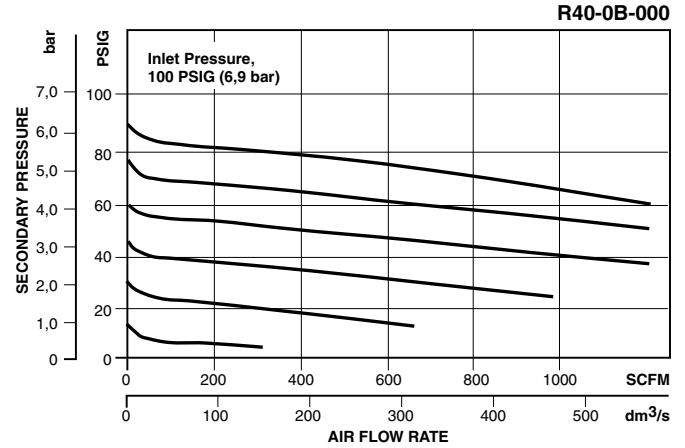
= "Most Popular"

Replacement Kits

- Piston Assembly –
Non-relieving RRP-95-451
- Spring, Regulating –
0 to 125 PSIG (0 to 8.6 bar) RRP-95-226
0 to 180 PSIG (0 to 12.4 bar)..... RRP-95-220
- Spring, Valve RRP-95-024
- Valve Assembly (Non-relieving) –
Valve, Valve Spring RRP-95-162
- Valve Assembly (Self-relieving) –
Valve, Valve Spring, Ret. Ring, O-rings..... RRP-95-161

Accessories

- Gauge, Pressure –
0 to 160 PSIG (0 to 11 bar), 2" Dial Face,
1/4 NPT, CBM..... K4520N14160
- 0 to 300 PSIG (0 to 20 bar), 2" Dial Face,
1/4 NPT, CBM.....K4520N14300
- Wall Mounting Bracket, Gauge Port Adapter,
1/4 NPT..... RRP-95-590



Ordering Information

Model Type	Port Size	Without Gauge 10 to 125 PSIG (0.7 to 8.6 bar)	High Pressure 10 to 180 PSIG (0.7 to 12.4 bar)
Relieving	1-1/2	R40-0B-000	R40-0B-H00
	2	R40-0C-000	R40-0C-H00
Non-relieving	1-1/2	R40-0B-N00	R40-0B-HN0
	2	R40-0C-N00	R40-0C-HN0

Options - To order an option supplied with the unit model, add the appropriate coded suffix letter in the designated position of the model number.

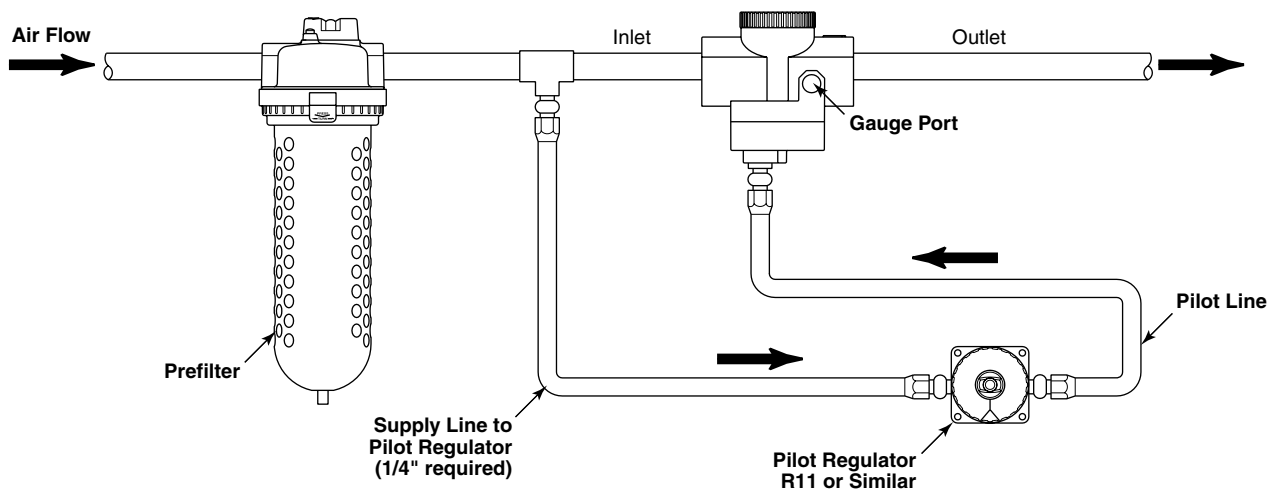
R21 / 31 / 41-XX-RXX

Principal Regulator (Remote Operated)

Remote-control Dial-Air™ Regulator

Incorporates all the features of the standard Dial-Air™ Regulator plus the additional advantage of remote installation using the R11 model Pilot Regulator. Maximum inlet operating pressure and temperature ratings are 300 PSIG (20.7 bar) and 150°F (65.5°C).

The Remote-control Dial-Air™ Regulators are available in five pipe sizes, with 1/4" NPT connections on the pilot regulator and pilot port of remote-controlled regulators. Typical installation is shown below. For other remote models, see R21, R31 & R41.

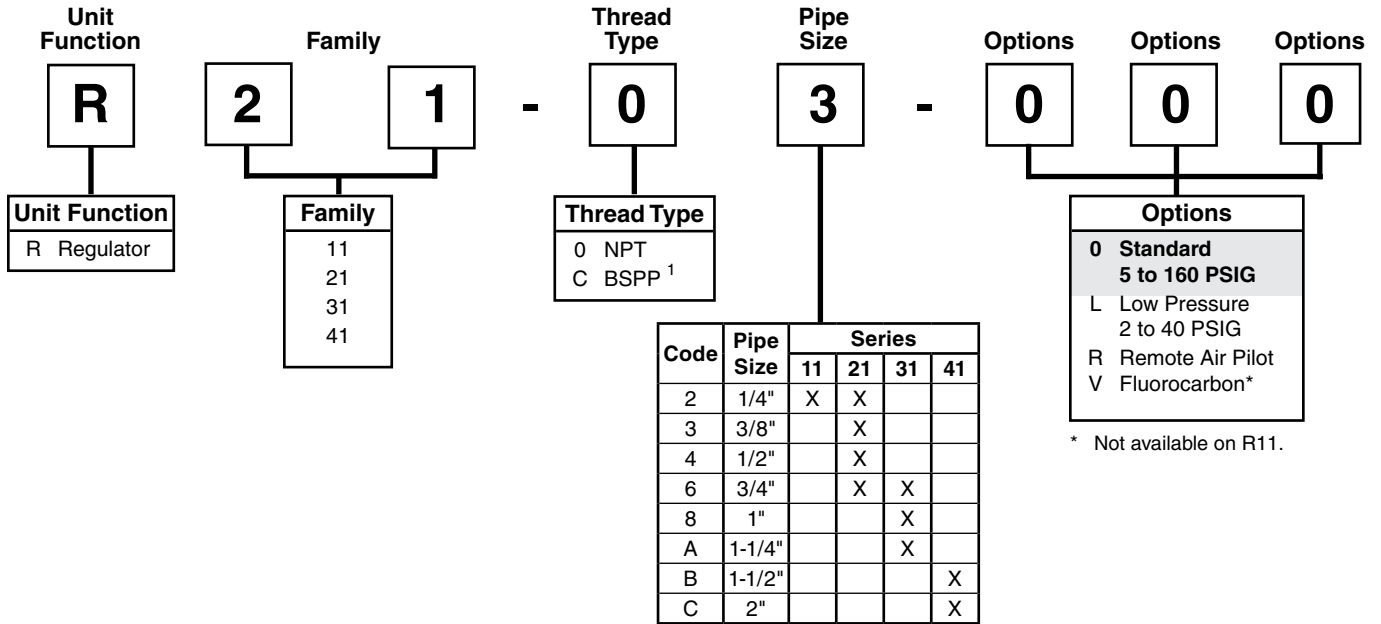


Dial-Air™

Dial-Air™ regulators feature a transparent, pressure-calibrated, non-rising adjustment dial for quick adjustment of secondary pressure. If a gauge (R21, R31, R41) is required for monitoring reasons, two 1/4" gauge ports are provided; however, these are usually used for additional outlet ports. The full reduced pressure range can be dialed in less than 270° of dial rotation. This feature is particularly advantageous if secondary pressure must be changed frequently. The transparent dial can be color or graphics coded for easy reference to required pressure changes. Dial-Air™ regulators can be mounted in any position so dial face is always visible. All Dial-Air™ units have a slight constant air bleed: 0.05 SCFM (0.024 dm³/s), @100 PSIG (6.9 bar) inlet and 90 PSIG (6.2 bar) outlet.

Dial-Air™ Regulator Numbering System

= "Most Popular"



¹ ISO, R228 (G Series)

NOTE: Standard pressure adjustment is plastic "snap lock" knob and plastic bonnet with plastic panel mount nut.

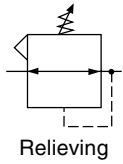
NOTE: When selecting from the options columns, please enter letters in alphabetical order for positions 6, 7, and 8. For example:

R21 - 0 3 - 0 0 0



Dial-Air™ Regulator

R11



R11-02-000

Features

- Pressure Reference Indicating Dial Face
- Non-rising Pressure Adjustment Knob
- Self-Relieving
- Full Pressure Adjustment in Less Than One Full Turn
- Recommended for Pilot-Air Applications (Low Flow)

= "Most Popular"

Specifications

Flow Capacity*	1/4	0.8 SCFM (0.377 dm ³ /s)
Adjusting Range Pressure	0 to 40 PSIG (0 to 2.8 bar)	0 to 160 PSIG (0 to 11 bar)
Bleed Rate	0.05 SCFM (0.024 dm ³ /s)	
Maximum Supply Pressure	300 PSIG (20.7 bar)	
Operating Temperature	32° to 150°F (0° to 65.5°C)	
Port Size	NPT / BSPP-G	1/4
Weight	lb. (kg)	1.3 (0.5)

* Inlet pressure 100 PSIG (6.9 bar). Secondary pressure 90 PSIG (6.2 bar).

Materials of Construction

Body	Zinc
Bonnet	Zinc / Brass
Piston	Acetal
Seals	Nitrile
Springs	Steel
Valve Assembly	Brass / Nitrile / Acetal

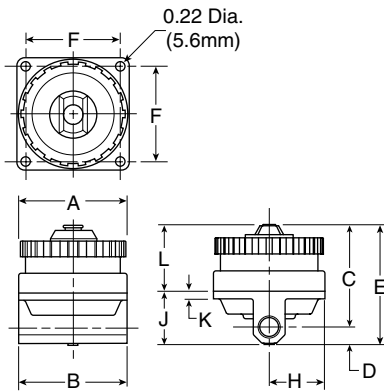
WARNING

**Product rupture can cause serious injury.
Do not connect regulator to bottled gas.
Do not exceed maximum primary pressure rating.**

CAUTION:

REGULATOR PRESSURE ADJUSTMENT – The working range of knob adjustment is designed to permit outlet pressures within their full range. Pressure adjustment beyond this range is also possible because the knob is not a limiting device. This is a common characteristic of most industrial regulators, and limiting devices may be obtained only by special design.

For best performance, regulated pressure should always be set by increasing the pressure up to the desired setting.



NOTE: Panel mounting requires (2) 11/16" (69mm) diameter holes and (4) 7/32" (5.5mm) screw holes. Unit can be mounted on material up to 1-1/4" (32mm) thick.

Dimensions

Model	Inches (mm)	A	B	C	D	E	F	H	J	K	L
Standard Unit R11-02-000		2.60 (66)	2.60 (66)	2.40 (60.9)	.40 (10)	2.80 (71)	2.20 (55.9)	1.30 (33)	1.25 (31.8)	.18 (4.6)	1.56 (39.6)

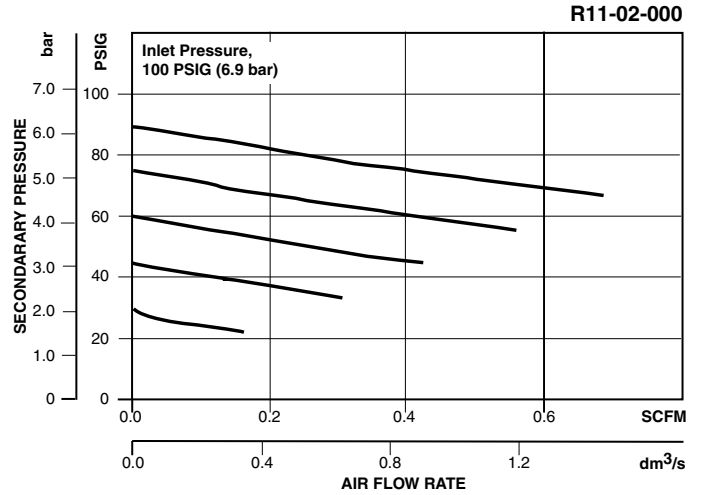
= "Most Popular"

Replacement Kits

- Conversion Kit (Series A to Series B)RRP-95-765
- O-ring, Repair Kit..... GRP-95-260
- Spring, Regulating, Belleville Washer –
 - 0 to 40 PSIG (0 to 2.8 bar) RRP-95-906
 - 0 to 160 PSIG (0 to 11 bar)..... RRP-95-905
- Valve, Pilot with O-ring and Valve Spring..... RRP-96-934

Accessories

- Tamper Resistant Kit..... RRP-95-585



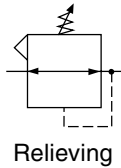
Ordering Information

Model Type	Port Size	Standard Pressure 5 to 160 PSIG (0,4 to 11 bar)	Low Pressure 2 to 40 PSIG (0,1 to 3 bar)
Pilot	1/4	R11-02-000	R11-02-L00

Options - To order an option supplied with the unit model, add the appropriate coded suffix letter in the designated position of the model number.

Dial-Air™ Regulator

R21



R21-02-000

Features

- Balanced Valve Design
- Non-Rising Pressure Adjusting Dial
- High-Relief Flow (3/16" Relief Orifice)
- Two 1/4" NPT Gauge Ports, Usually Used for Additional Outlets
- Piston Operated

Specifications

Flow Capacity*	1/4	117 SCFM (55 dm ³ /s)
	3/8	180 SCFM (85 dm ³ /s)
	1/2	195 SCFM (92 dm ³ /s)
	3/4	220 SCFM (103 dm ³ /s)
Adjusting Range Pressure	0 to 40 PSIG (0 to 2.8 bar)	
	0 to 160 PSIG (0 to 11 bar)	
Bleed Rate	0.05 SCFM (0.024 dm ³ /s)	
Gauge Port (2 ea.)	NPT / BSPT-Rc	1/4
Maximum Supply Pressure	300 PSIG (20.7 bar)	
Operating Temperature	32° to 150°F (0° to 65.5°C)	
Port Size	NPT / BSPP-G	1/4, 3/8, 1/2, 3/4
Weight	lb. (kg)	2.3 (1.04)

* Inlet pressure 100 PSIG (6.9 bar). Secondary pressure (1/4, 1/2 & 3/4) 90 PSIG (6.2 bar); (3/8) 80 PSIG (5.5 bar).

= "Most Popular"

Materials of Construction

Body	Zinc
Bonnet	Zinc / Brass
Piston	Acetal
Seals	Nitrile
Springs	Steel
Valve Assembly	Brass / Nitrile / Acetal

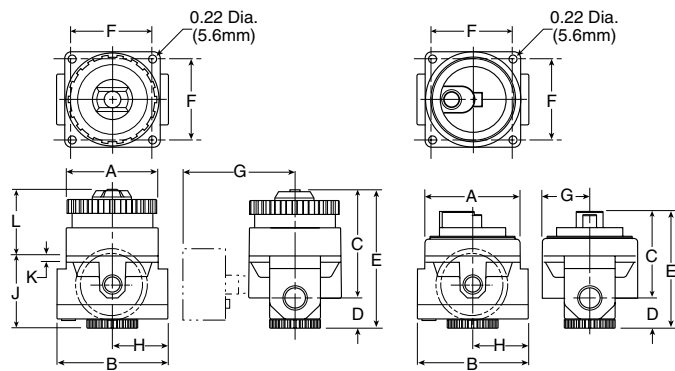
⚠ WARNING

**Product rupture can cause serious injury.
Do not connect regulator to bottled gas.
Do not exceed maximum primary pressure rating.**

CAUTION:

REGULATOR PRESSURE ADJUSTMENT – The working range of knob adjustment is designed to permit outlet pressures within their full range. Pressure adjustment beyond this range is also possible because the knob is not a limiting device. This is a common characteristic of most industrial regulators, and limiting devices may be obtained only by special design.

For best performance, regulated pressure should always be set by increasing the pressure up to the desired setting.



Remote Operated

NOTE: Panel mounting requires (2) 1 1/16" (69mm) diameter holes and (4) 7/32" (5.5mm) screw holes. Unit can be mounted on material up to 1-1/4" (32mm) thick.

Dimensions

Models	Inches (mm)	A	B	C	D	E	F	G	H	J	K	L
Standard Unit R21-XX-000		2.60 (66)	3.19 (81)	3.14 (79.8)	.95 (24)	4.09 (104)	2.20 (55.9)	—	1.61 (41)	2.08 (52.8)	.18 (4.6)	2.07 (52.6)
With Gauge (order separately) R21-XX-XXX		2.60 (66)	3.19 (81)	3.14 (79.8)	.95 (24)	4.09 (104)	2.20 (55.9)	2.70 (68.5)	1.61 (41)	2.08 (52.8)	.18 (4.6)	2.07 (52.6)
Remote Operated R21-XX-R00		2.60 (66)	3.19 (81)	2.24 (56.9)	.95 (24)	3.19 (81)	2.20 (55.9)	1.33 (33.8)	1.61 (41)	2.08 (52.8)	.18 (4.6)	1.11 (28.2)

 = "Most Popular"

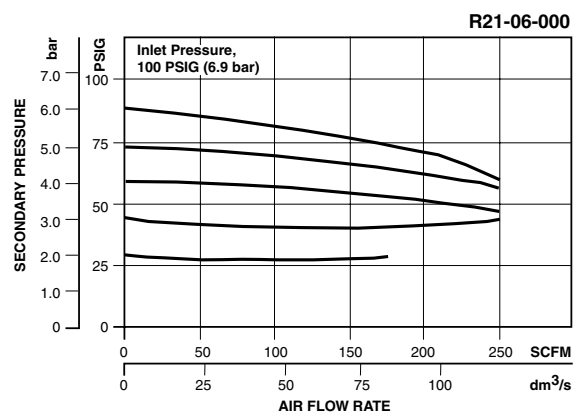
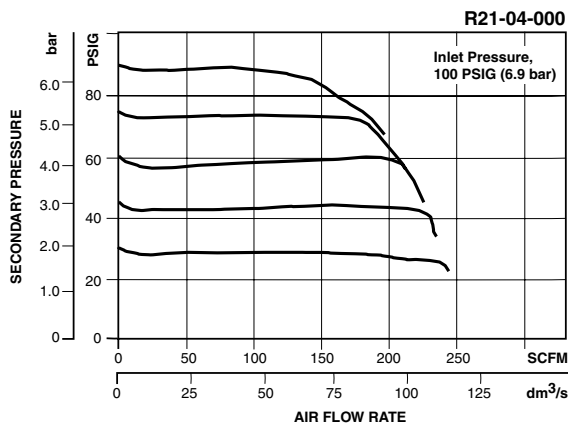
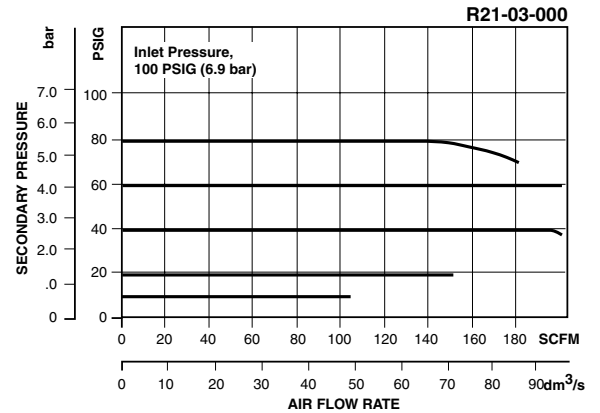
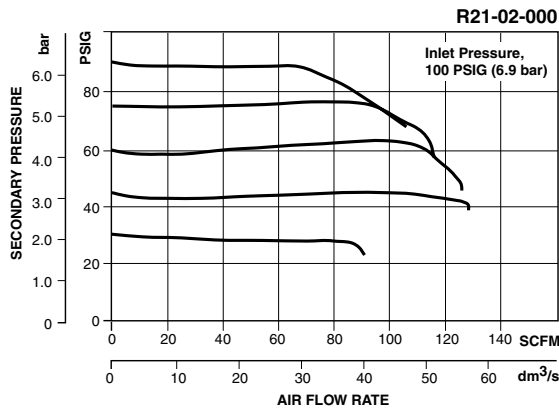
Replacement Kits

- Adjustment Dial Knob RRP-16-024-000
- Conversion Kit (Series A to Series B) RRP-95-766
- Cover Kit (Remote) –
 - Bonnet and Nitrile, O-ring (Series B) RRP-95-910
 - Bonnet and Fluorocarbon, O-ring (Series B) RRP-95-911
- O-ring, Repair Kit GRP-95-260
- Piston, Bottom and O-ring Seal RRP-95-192
- Spring, Regulating, Belleville Washer –
 - 0 to 40 PSIG (0 to 2,8 bar) RRP-95-906
 - 0 to 160 PSIG (0 to 11 bar) RRP-95-905
- Valve, Main with U-cup Seal RRP-95-151
- Valve, Main with U-cup Seal and Bottom Plug –
 - Nitrile Elastomers RRP-95-914
 - Fluorocarbon Elastomers RRP-95-915
- Valve, Main (Remote) with U-cup Seal RRP-96-952

- Valve, Main (Remote) with U-cup Seal and Bottom Plug –
 - Nitrile Elastomers RRP-95-912
 - Fluorocarbon Elastomers RRP-95-913
- Valve, Pilot with O-ring and Valve Spring RRP-96-934

Accessories

- Wall Mounting Bracket, Gauge Port Adapter,
 - 1/4 NPT RRP-95-590
- Gauge, Pressure –
 - 0 to 60 PSIG (0 to 4 bar), 2" Dial Face,
 - 1/4 NPT, CBM K4520N14060
 - 0 to 160 PSIG (0 to 11 bar), 2" Dial Face,
 - 1/4 NPT, CBM K4520N14160
- Tamper Resistant Kit RRP-95-585



Ordering Information

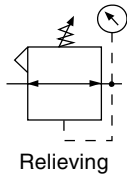
Model Type	Port Size	High Flow 5 to 160 PSIG (0.4 to 11 bar)	Low Pressure 2 to 40 PSIG (0. to 3 bar)	Remote 5 to 160 PSIG (0.4 to 11 bar)
Relieving	1/4	R21-02-000	R21-02-L00	R21-02-R00
	3/8	R21-03-000	R21-03-L00	R21-03-R00
	1/2	R21-04-000	R21-04-L00	R21-04-R00
	3/4	R21-06-000	R21-06-L00	R21-06-R00

Options - To order an option supplied with the unit model, add the appropriate coded suffix letter in the designated position of the model number.



Dial-Air™ Regulator

R31



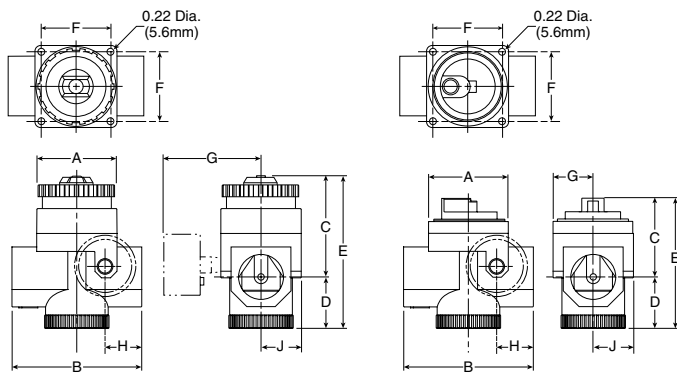
R31-06-000

Features

- Balanced Valve Design
- Non-Rising Pressure Adjusting Dial
- High-Relief Flow (3/16" Relief Orifice)
- Two 1/4" NPT / BSPT-Rc Gauge Ports, Usually Used for Additional Outlets
- Piston Operated

⚠ WARNING

**Product rupture can cause serious injury.
Do not connect regulator to bottled gas.
Do not exceed maximum primary pressure rating.**



Remote Operated

NOTE: Panel mounting requires (2) 11/16" (69mm) diameter holes and (4) 7/32" (5.5mm) screw holes. Unit can be mounted on material up to 1-1/4" (32mm) thick.

Dimensions

Models	Inches (mm)	A	B	C	D	E	F	G	H	J
Standard Unit R31-XX-000		2.59 (66)	4.29 (109)	3.50 (88.9)	1.69 (43)	5.19 (132)	2.20 (55.9)	—	1.23 (31.2)	1.31 (33.3)
With Gauge (order separately) R31-XX-XXX		2.59 (66)	4.29 (109)	3.50 (88.9)	1.69 (43)	5.19 (132)	2.20 (55.9)	3.00 (76)	1.23 (31.2)	1.31 (33.3)
Remote Operated R31-XX-R00		2.59 (66)	4.29 (109)	2.63 (66.8)	1.69 (43)	4.32 (109.7)	2.20 (55.9)	1.33 (33.7)	1.23 (31.2)	1.31 (33.3)

= "Most Popular"

Specifications

Flow Capacity*	3/4	400 SCFM (189 dm ³ /s)
	1	650 SCFM (307 dm ³ /s)
	1-1/4	700 SCFM (330 dm ³ /s)
Adjusting Range Pressure	0 to 40 PSIG (0 to 2.7 bar) 0 to 160 PSIG (0 to 11 bar)	
Bleed Rate	0.05 SCFM (0.024 dm ³ /s)	
Gauge Port (2 ea.)	NPT / BSPT-Rc	1/4
Maximum Supply Pressure	300 PSIG (20.7 bar)	
Operating Temperature	32° to 150°F (0° to 65.5°C)	
Port Size	NPT / BSPP-G	3/4, 1, 1-1/4
Weight	lb. (kg)	4.0 (1.8)

* Inlet pressure 100 PSIG (6.9 bar). Secondary pressure 80 PSIG (5.5 bar).

Materials of Construction

Body	Zinc
Bonnet	Zinc / Brass
Piston	Acetal
Seals	Nitrile
Springs	Steel
Valve Assembly	Brass / Nitrile / Acetal

CAUTION:

REGULATOR PRESSURE ADJUSTMENT – The working range of knob adjustment is designed to permit outlet pressures within their full range. Pressure adjustment beyond this range is also possible because the knob is not a limiting device. This is a common characteristic of most industrial regulators, and limiting devices may be obtained only by special design.

For best performance, regulated pressure should always be set by increasing the pressure up to the desired setting.

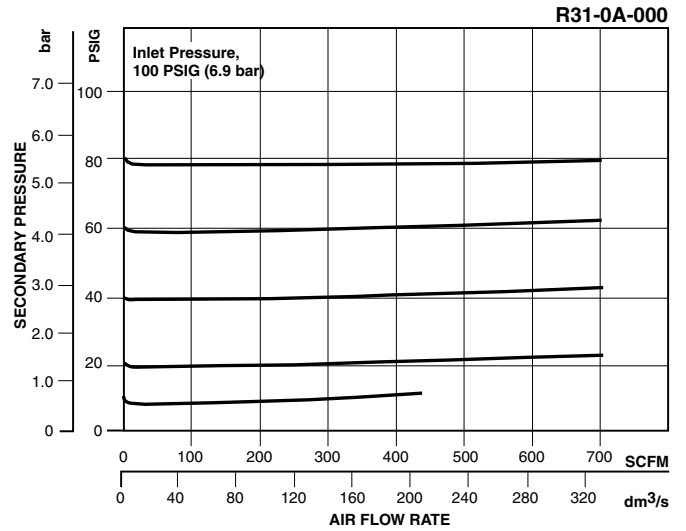
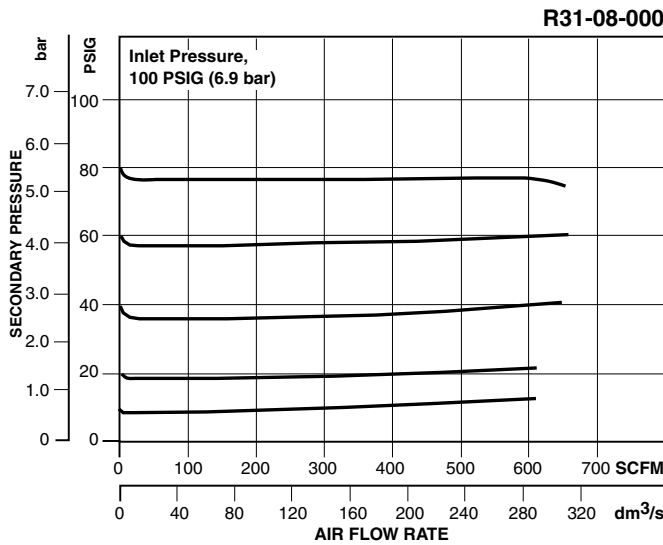
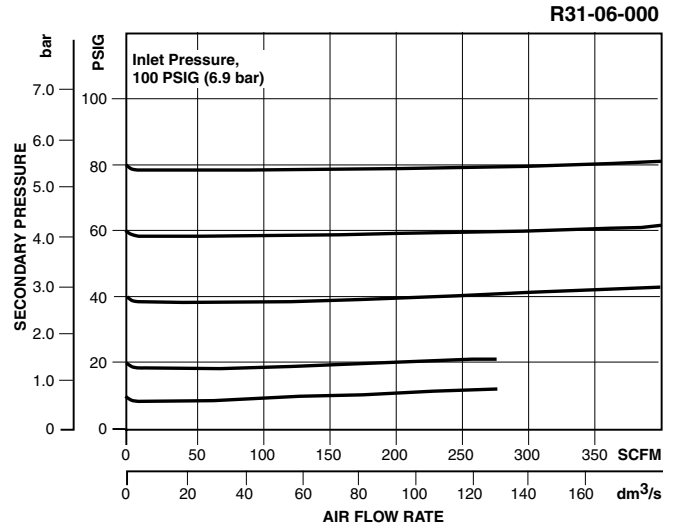
 = "Most Popular"

Replacement Kits

- Adjustment Dial Knob RRP-16-024-000
- Conversion Kit (Series A to Series B) RRP-95-766
- O-ring, Repair Kit GRP-95-261
- Piston, Bottom and O-ring seal RRP-95-192
- Spring, Regulating, Belleville Washer –
 - 0 to 40 PSIG (0 to 2.8 bar) RRP-95-906
 - 0 to 160 PSIG (0 to 11 bar) RRP-95-905
- Valve, Main with O-ring Seal RRP-95-152
- Valve, Main (Remote) with O-ring Seal RRP-96-950
- Valve, Pilot with O-ring and Valve Spring RRP-96-935

Accessories

- Gauge, Pressure –
 - 0 to 60 PSIG (0 to 4 bar), 2" Dial Face, 1/4 NPT, CBM K4520N14060
 - 0 to 160 PSIG (0 to 11 bar), 2" Dial Face, 1/4 NPT, CBM K4520N14160
- Tamper Resistant Kit RRP-95-585
- Wall Mounting Bracket, Gauge Port Adapter, 1/4 NPT RRP-95-590



Ordering Information

Model Type	Port Size	High Flow 5 to 160 PSIG (0.4 to 11 bar)	Low Pressure 2 to 40 PSIG (0.1 to 3 bar)	Remote 5 to 160 PSIG (0.4 to 11 bar)
Relieving	3/4	R31-06-000	R31-06-L00	R31-06-R00
	1	R31-08-000	R31-08-L00	R31-08-R00
	1-1/4	R31-0A-000	R31-0A-L00	R31-0A-R00

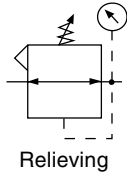
Options - To order an option supplied with the unit model, add the appropriate coded suffix letter in the designated position of the model number.



Dial-Air™ Regulator

R41

 = "Most Popular"



R41-0B-000

Features

- Balanced Valve Design
- Non-Rising Pressure Adjusting Dial
- High-Relief Flow (3/16" Relief Orifice)
- Two 1/4" NPT / BSPT-Rc Gauge Ports, Usually Used for Additional Outlets
- Piston Operated

Specifications

Flow Capacity*	1-1/2, 2	1600 SCFM (755 dm ³ /s)
Adjusting Range Pressure	0 to 160 PSIG (0 to 11 bar)	
Bleed Rate	0.05 SCFM (0,024 dm ³ /s)	
Maximum Supply Pressure	300 PSIG (20.7 bar)	
Operating Temperature	32° to 150°F (0° to 65.5°C)	
Port Size	NPT / BSPP-G	1-1/2, 2
Gauge Port (2 ea.)	NPT / BSPT-Rc	1/4
Weight	lb. (kg)	9 (4.1)

* Inlet pressure 100 PSIG (6.9 bar). Secondary pressure 80 PSIG (5.5 bar).

Materials of Construction

Body	Zinc
Bonnet	Zinc / Brass
Piston	Zinc
Seals	Nitrile
Springs	Steel
Valve Assembly	Brass / Nitrile / Acetal

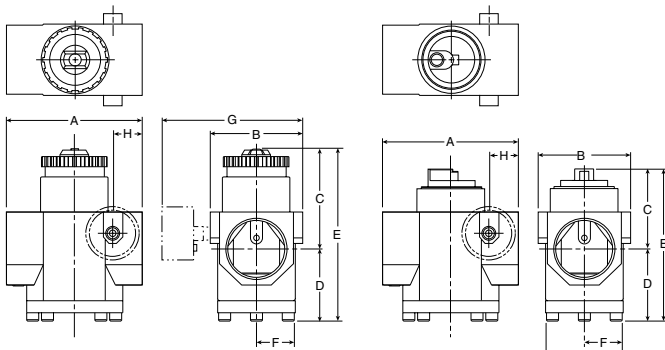
WARNING

**Product rupture can cause serious injury.
Do not connect regulator to bottled gas.
Do not exceed maximum primary pressure rating.**

CAUTION:

REGULATOR PRESSURE ADJUSTMENT – The working range of knob adjustment is designed to permit outlet pressures within their full range. Pressure adjustment beyond this range is also possible because the knob is not a limiting device. This is a common characteristic of most industrial regulators, and limiting devices may be obtained only by special design.

For best performance, regulated pressure should always be set by increasing the pressure up to the desired setting.



Remote Operated

Dimensions

Models	Inches (mm)	A	B	C	D	E	F	G	H
Standard Unit R41-XX-000		5.31 (135)	3.58 (91)	4.02 (102)	2.79 (71)	6.81 (173)	1.79 (45.7)	— —	1.15 (29.2)
With Gauge (order separately) R41-XX-XXX		5.31 (135)	3.58 (91)	4.02 (102)	2.79 (71)	6.81 (173)	1.79 (45.7)	5.29 (134.6)	1.15 (29.2)
Remote Operated R41-XX-R00		5.31 (135)	3.58 (91)	3.11 (78.9)	2.79 (71)	5.90 (149.8)	1.50 (38)	3.00 (76)	1.15 (29.2)

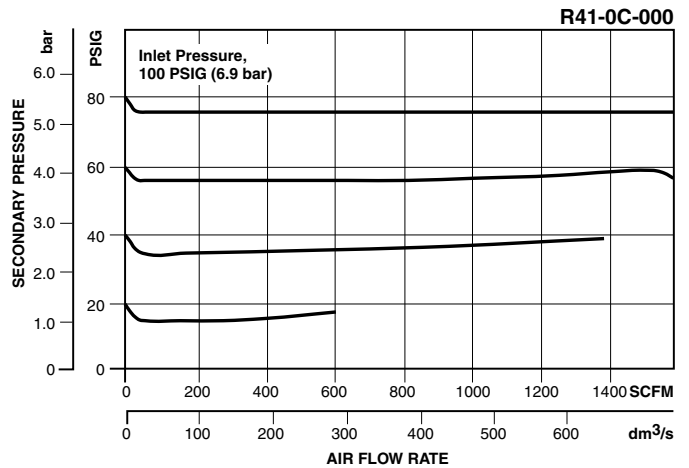
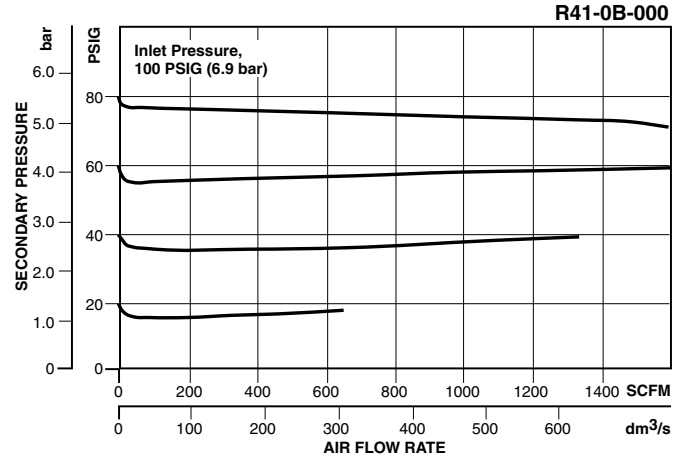
= "Most Popular"

Replacement Kits

- Adjustment Dial Knob RRP-16-024-000
- Conversion Kit (Series A to Series B) RRP-95-766
- O-ring, Repair Kit GRP-95-262
- Piston, Bottom and O-ring Seal RRP-95-192
- Spring, Regulating, Belleville Washer –
 - 0 to 40 PSIG (0 to 2.8 bar) RRP-95-906
 - 0 to 160 PSIG (0 to 11 bar) RRP-95-905
- Spring, Valve RRP-95-024
- Valve –
 - Main with O-ring Seal RRP-95-153
 - Main (Remote) with O-ring Seal RRP-96-951
 - Pilot with O-ring and Valve Spring RRP-96-935

Accessories

- Gauge, Pressure–
 - 0 to 60 PSIG (0 to 4 bar), 2" Dial Face,
1/4 NPT, CBM K4520N14060
 - 0 to 160 PSIG (0 to 11 bar), 2" Dial Face,
1/4 NPT, CBM K4520N14160
- Tamper Resistant Kit RRP-95-585
- Wall Mounting Bracket, Gauge Port Adapter,
1/4 NPT RRP-95-590



Ordering Information

Model Type	Port Size	High Flow 5 to 160 PSIG (0.4 to 11 bar)	Low Pressure 2 to 40 PSIG (0.1 to 3 bar)	Remote 5 to 160 PSIG (0.4 to 11 bar)
Relieving	1-1/2	R41-0B-000	R41-0B-L00	R41-0B-R00
	2	R41-0C-000	R41-0C-L00	R41-0C-R00

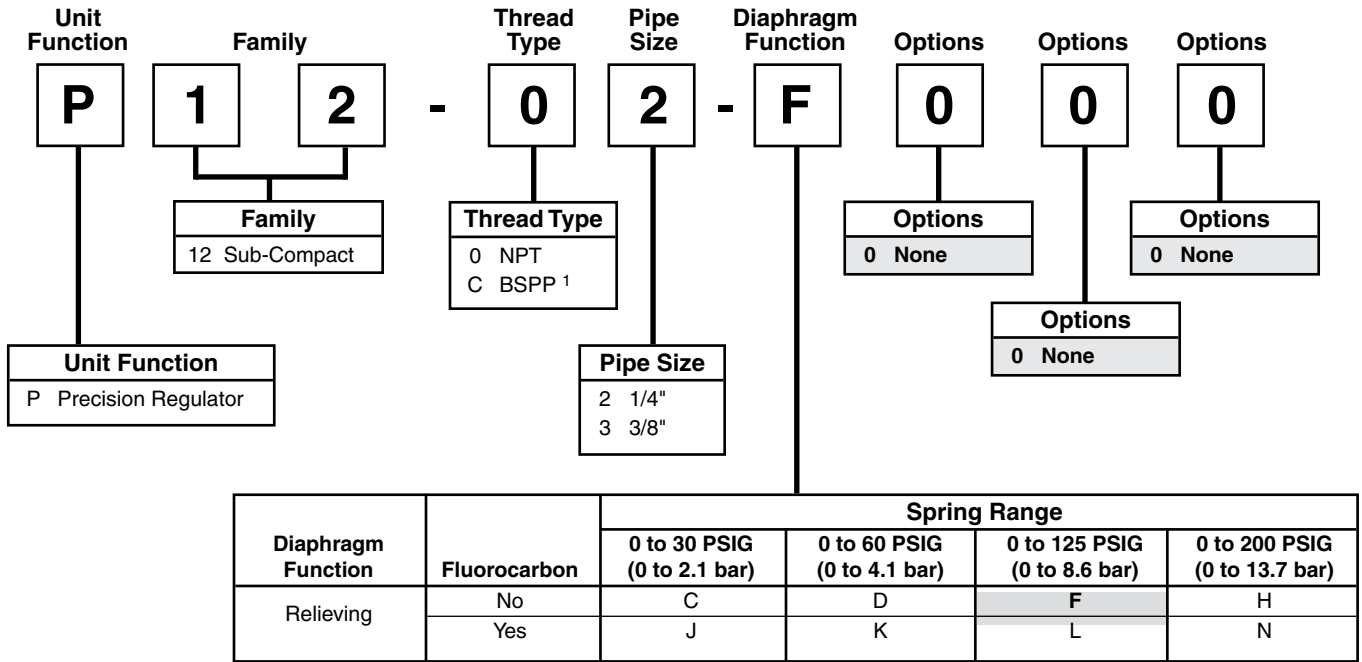
Options - To order an option supplied with the unit model, add the appropriate coded suffix letter in the designated position of the model number.



Notes

Precision Regulator Numbering System (12 Series)

 = "Most Popular"

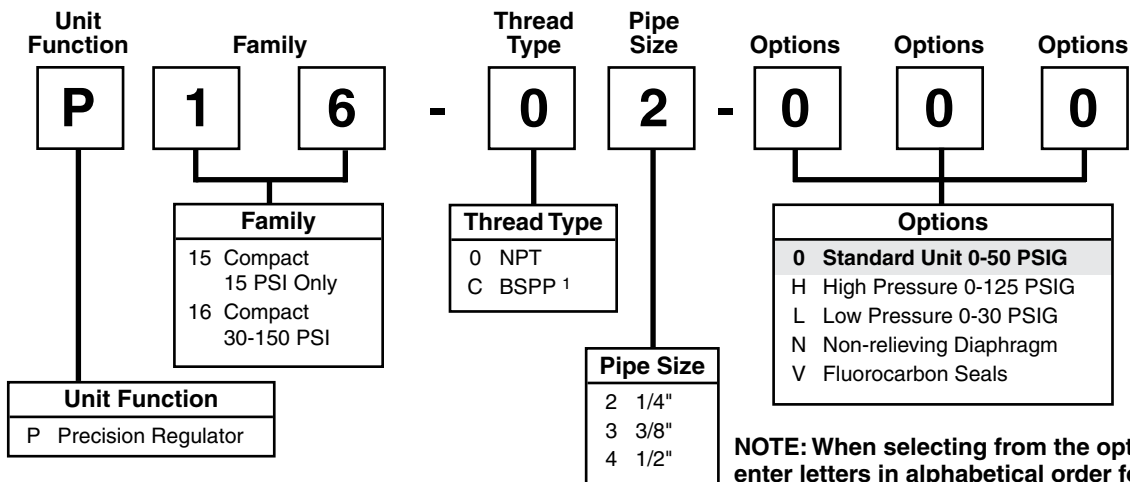


¹ ISO, R228 (G Series).

NOTE: When selecting from the options columns, please enter letters in alphabetical order for positions 7, 8, and 9. For example:

P 1 2 - 0 2 - F 0 G 0

Precision Regulator Numbering System (16 Series)



NOTE: When selecting from the options columns, please enter letters in alphabetical order for positions 6, 7, and 8. For example:

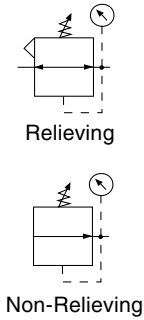
P 1 6 - 0 2 - H 0 0



Precision Regulator

P12 (Modular with 12 Series)

= "Most Popular"



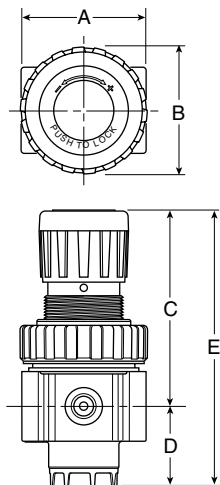
P12-02-D000

Features

- Fine Adjustment Sensitivity
- Good Repeatability and Minimal Pressure Drop
- High Flow Capacity
- Brass Valve for Long Life
- High Flow: 25 SCFM
- Modular with 12 Series FRL
- Non-rising, Removable Knob
- Multiple Porting Options

⚠ WARNING

**Product rupture can cause serious injury.
Do not connect regulator to bottled gas.
Do not exceed maximum primary pressure rating.**



NOTE: Panel Mount Nut sold separately.

NOTE: 1.53" Dia. (39 mm) hole required for panel nut mounting.

Dimensions

Model	Inches (mm)	A	B	C	D	E
Precision Unit P12-02-D000		2.00 (51)	2.06 (52)	3.16 (80)	1.28 (32)	4.44 (113)

Specifications

Flow Capacity*	1/4	25 SCFM (11.8 dm ³ /s)
	3/8	25 SCFM (11.8 dm ³ /s)
Adjusting Range Pressure	1 to 15 PSIG (0.06 to 1.0 bar)	
	1 to 30 PSIG (0.06 to 2.1 bar)	
	1 to 60 PSIG (0.06 to 4.1 bar)	
	2 to 125 PSIG (0.13 to 8.6 bar)	

Gauge Ports (2x)	NPT / BSPP-G	1/4
Maximum Supply Pressure	250 PSIG (17.2 bar)	
Operating Temperature	32° to 175°F (0° to 80°C)	
P1, P2 Port Size (Inlet / Outlet)	NPT / BSPP-G	1/4, 3/8
Weight	lb. (kg)	1.0 (0.45)

Effect of Supply Pressure Variation – 0.5 PSIG (.035 bar) for 25 PSIG (1.73 bar) change in P₁

Relief Capacity – 0.5 SCFM (0.24 dm³/s) @ 5 PSIG (.35 bar) increase in P₂

* **Flow Capacity** – Inlet pressure 100 PSIG (7 bar), no flow secondary pressure set 90 PSIG (6.2 bar), 15 PSIG pressure drop at rated flow.

Materials of Construction

Body	Zinc
Bonnet & Bottom Cap	Plastic
Collar & Knob	Plastic
Diaphragm Assembly	Nitrile
Poppet	Brass
Seals	Nitrile
Springs	Valve & Control Steel

CAUTION:

REGULATOR PRESSURE ADJUSTMENT – The working range of knob adjustment is designed to permit outlet pressures within their full range. Pressure adjustment beyond this range is also possible because the knob is not a limiting device. This is a common characteristic of most industrial regulators, and limiting devices may be obtained only by special design.

For best performance, regulated pressure should always be set by increasing the pressure up to the desired setting.

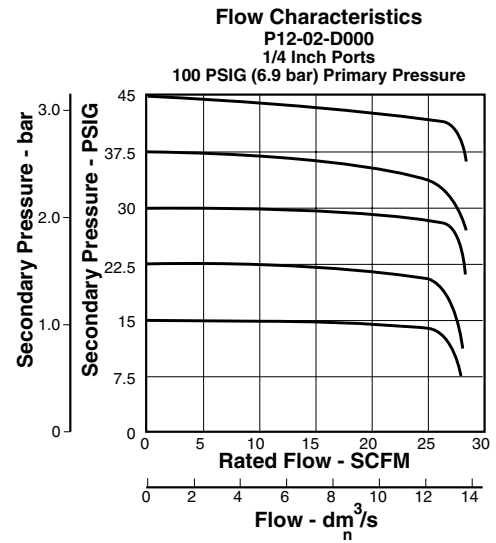
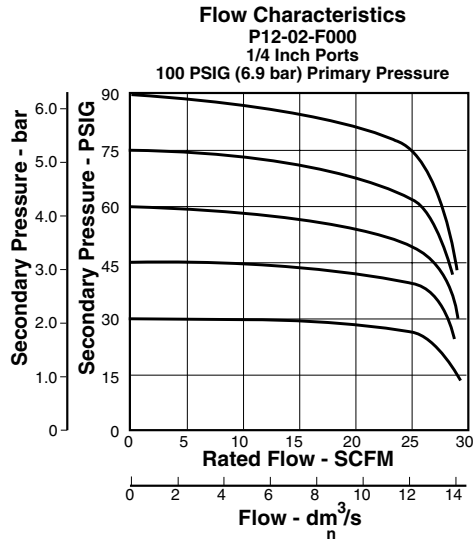
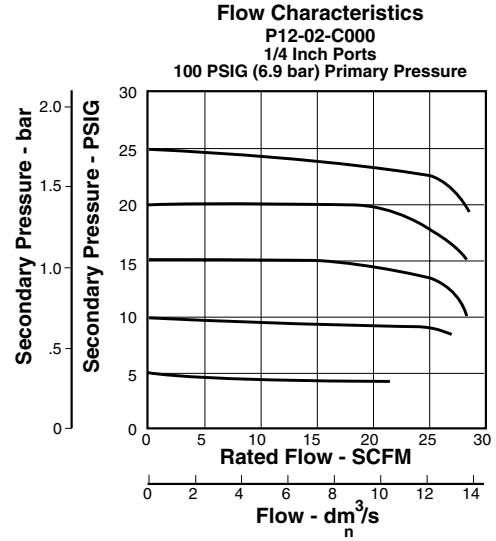
 = "Most Popular"

Replacement Kits

- Control KnobRRP-96-312
- Service Kit..... RRP-96-305
- Springs, Regulating –
 - 1 to 15 PSIG (0.06 to 1.0 bar) RRP-96-311
 - 1 to 30 PSIG (0.06 to 2.1 bar) RRP-96-303
 - 1 to 60 PSIG (0 to 4.1 bar) RRP-96-302
 - 2 to 125 PSIG (0.13 to 8.6 bar)..... RRP-96-301

Accessories

- Mounting Bracket Kit (With Panel Mount Nut) GPA-96-313
 - Panel Mount Nut, Metal..... GPA-96-314
- NOTE:** Gauge not included, order separately by accessory number.



Ordering Information

Model Type	Port Size	Without Gauge 15 PSIG (1.03 bar)	Without Gauge 30 PSIG (2.07 bar)	Without Gauge 60 PSIG (4.14 bar)	Without Gauge 125 PSIG (8.62 bar)
Relieving	1/4	P12-02-A000	P12-02-C000	P12-02-D000	P12-02-F000
	3/8	P12-03-A000	P12-03-C000	P12-03-D000	P12-03-F000

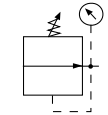
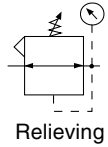
Options - To order an option supplied with the unit model, add the appropriate coded suffix letter in the designated position of the model number.



Precision Regulator

P15 / P16

(Modular with
16 Series)



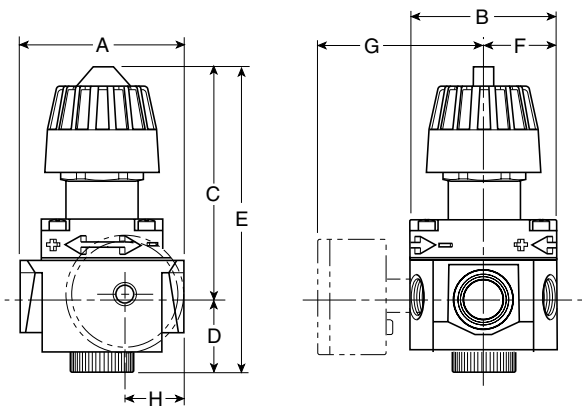
P15 / P16-02-000

Precision Regulator

The P15 / P16 models are general purpose regulators specifically designed for applications that require reliable performance and accurate pressure control.

Features

- *Stable Output* – Aspirator Design Minimizes “Droop” at Higher Flow Levels
- *Accuracy* – High Diaphragm-to-Valve-Area Ratio Combined with Unbalanced Valve Provides High Precision with Minimal Initial Pressure Droop
- *Sensitive* – Responds Quickly to the Slightest Change in Downstream Pressure
- *Easy Maintenance* – May be Disassembled and Serviced without Removal from Air Line
- *Modular Design* – Available in a Modular Configuration to Work with Other Wilkerson Modular Units, Accessories and Options



NOTE: 1.31" Dia. (33,3 mm) hole required for panel nut mounting.

Dimensions

Models	Inches (mm)	A	B	C	D	E	F	G	H
Standard Unit P15-XX-000 / P16-XX-000		2.99 (76)	2.59 (66)	3.99 (101.3)	1.20 (30.5)	5.19 (132)	1.29 (33)	—	1.02 (25.9)
With Gauge (order gauge separately) P15-XX-XXX / P16-XX-XXX		2.99 (76)	2.59 (66)	3.99 (101.3)	1.20 (30.5)	5.19 (132)	1.29 (33)	2.99 (76)	1.02 (25.9)

= “Most Popular”

Specifications

Flow Capacity*	P15	27.5 SCFM (13.0 dm ³ /s)
	P16	22.0 SCFM (10.4 dm ³ /s)
Bleed Rate	0.03 SCFM (0.014 dm ³ /s) max.	
Gauge Port (2 ea.)	NPT / BSPT-Rc	1/4
Maximum Supply Pressure	300 PSIG (20.7 bar)	
Operating Temperature	32° to 150°F (0° to 65.5°C)	
Port Size	NPT / BSPP-G	1/4, 3/8, 1/2
Weight	lb. (kg)	1.66 (0.75)

* Inlet pressure 100 PSIG (6,9 bar). Secondary pressure P15, 15 PSIG (1,0 bar); P16, 45 PSIG (3,1 bar).

Materials of Construction

Body	Zinc
Bonnet	PBT
Diaphragm	Nitrile / Zinc
Panel Nut	Acetal
Seals	Nitrile
Springs	Steel
Valve Assembly	Brass / Nitrile

WARNING

**Product rupture can cause serious injury.
Do not connect regulator to bottled gas.
Do not exceed maximum primary pressure rating.**

CAUTION:

REGULATOR PRESSURE ADJUSTMENT – The working range of knob adjustment is designed to permit outlet pressures within their full range. Pressure adjustment beyond this range is also possible because the knob is not a limiting device. This is a common characteristic of most industrial regulators, and limiting devices may be obtained only by special design.

For best performance, regulated pressure should always be set by increasing the pressure up to the desired setting.

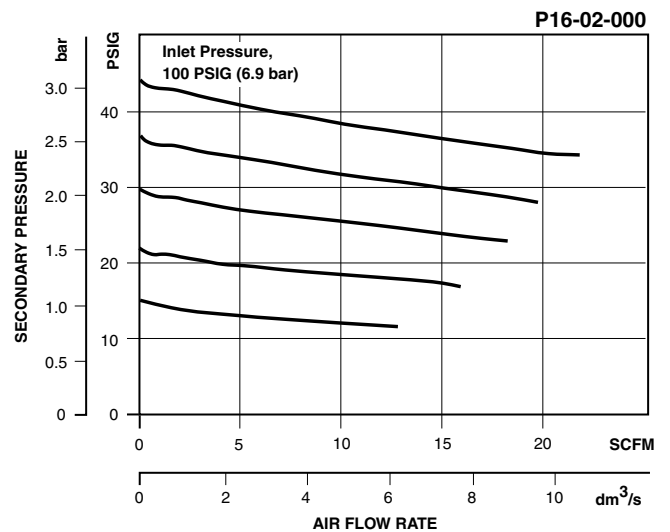
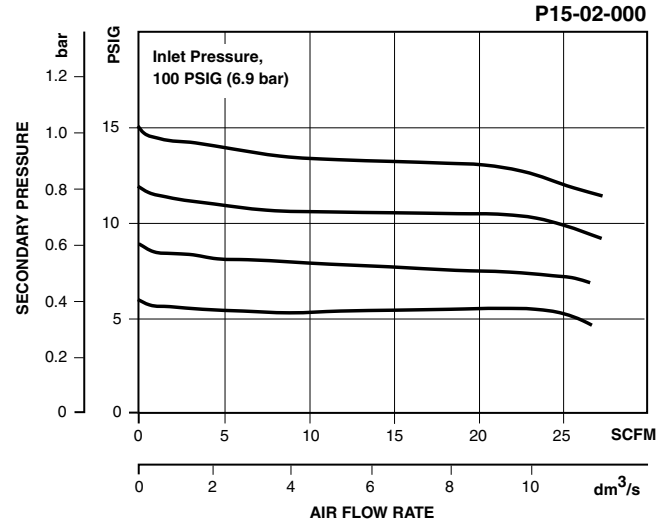
= "Most Popular"

Replacement Kits

- Diaphragm Assembly
 - Self-relieving, FluorocarbonPRP-95-073
 - Self-relieving, Nitrile PRP-95-960
- Knob, Adjusting (Series A)
 - Used on Units with Plastic Bonnets RRP-95-023
- Knob, Adjusting (Prior to Series A)
 - Used on Units with Zinc Bonnets RRP-95-007
- Repair Kit, Non-relieving Diaphragm, Valve / Valve Spring, O-rings PRP-95-053
- Repair Kit, Self-relieving Diaphragm, Valve / Valve Spring, O-rings PRP-95-004
- Spring, Regulating –
 - 0 to 15 PSIG (0 to 1 bar) RRP-95-233
 - 0 to 30 PSIG (0 to 2.1 bar) RRP-95-916
 - 0 to 50 PSIG (0 to 3.4 bar) RRP-95-222
 - 0 to 125 PSIG (0 to 8.6 bar) RRP-95-224
- Valve, Fluorocarbon (Valve Only) PPA-95-067
- Valve Assembly – Valve and Valve SpringPRP-95-959

Accessories

- Gauge, Pressure, 2" Dial Face, 1/4 NPT, CBM
 - 0 to 30 PSIG (0 to 2.1 bar)K4520N18030
 - 0 to 60 PSIG (0 to 4 bar)K4520N14060
 - 0 to 120 PSIG (0 to 8.3 bar) K4520N14160
- Nut, Panel Nut, Plastic GPA-95-032
- Tamper Resistant Kit, Ring Style RPA-95-006
- Wall Mounting Bracket
 - Gauge Port Adapter, 1/4 NPT RRP-95-590
 - L-Type – Heavy DutyRPA-95-090
 - L-Type – StandardGPA-95-012
 - L-Type with Plastic Panel Mount Nut GPA-95-011



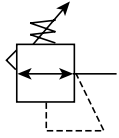
Ordering Information

Model Type	Port Size	Standard Unit 0 to 15 PSIG (0 to 1 bar)	Standard Unit 0 to 50 PSIG (0 to 3.4 bar)	High Pressure 0 to 125 PSIG (0 to 8.6 bar)	Low Pressure 0 to 30 PSIG (0 to 2.1 bar)	Fluorocarbon Seals
P15 Relieving	1/4	P15-02-000	—	—	—	—
	3/8	P15-03-000	—	—	—	—
	1/2	P15-04-000	—	—	—	—
P16 Relieving	1/4	—	P16-02-000	P16-02-H00	P16-02-L00	P16-02-V00
	3/8	—	P16-03-000	P16-03-H00	P16-03-L00	P16-03-V00
	1/2	—	P16-04-000	P16-04-H00	P16-04-L00	P16-04-V00
Non-relieving	1/4	—	—	P16-02-HN0	—	P16-02-VN0
	3/8	—	—	P16-03-HN0	P16-03-LN0	P16-03-VN0
	1/2	—	—	P16-04-HN0	P16-04-LN0	P16-04-VN0

Options - To order an option supplied with the unit model, add the appropriate coded suffix letter in the designated position of the model number.



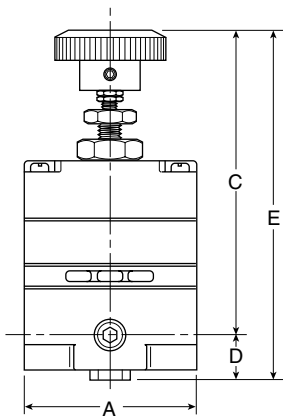
High Precision Regulator P17



P17-02-000

Features

- Accurate Pressure Regulation
Controls Output Pressure to Within 0.1% Accuracy
- Multi-stage Regulation for Maximum Control and Stability
- Two Full Flow Gauge Ports
- Super Sensitive Relief. Downstream Pressure Buildup, Down to 0.005 PSIG Above the Set Pressure, is Automatically Vented through Internal Relief Valve
- P17 has High Exhaust Relief Capacity



Dimensions

Models	Inches (mm)	A	C	D	E
Standard Unit P17-02-000		2.06 (52)	3.82 (97)	0.43 (11)	4.35 (110)

= "Most Popular"

Specifications

Flow Capacity at 100 PSIG (6.89 bar) Supply, 20 PSIG (1.38 bar) Outlet	14 SCFM (25m ³ /hr)	
Constant Bleed Rate (Equals Bleed Rate plus other consumption)	Less than 0.08 SCFM (0.15m ³ /hr)	
Effect of Supply Pressure Variation of 25 PSIG (1.7 bar) on outlet:	Less than 0.005 PSIG (0.0003 bar)	
Exhaust (Relief) Capacity at 5 PSIG (0.34 bar) above 20 PSIG (1.38 bar) Setpoint	Standard Model	3 SCFM (3.4m ³ /hr)
	High-Relief Model	11 SCFM (17m ³ /hr)
Gauge Ports (Can be used as additional full flow 1/4" outlet ports)	1/4" NPTF	
Operating Pressure Range –	PSIG	bar
Primary – Maximum	150	10.34
Secondary – Spring Pressure		
40 PSIG	Minimum 2	0.14
	Maximum 40	2.76
120 PSIG	Minimum 2	0.14
	Maximum 120	8.27
Operating Temperature Range 0°F* to 150°F (-18°C * to 65°C) Temperatures below (0°C) 32°F require moisture free air.		
Port Threads	1/4"	
Repeatability / Sensitivity	0.005 PSIG (0.0003 bar) Inches of Water Column = 1/8"	
Total Air Consumption	6 SCFH (0.21m ³ /hr.)	
Weight	1.4 lb (0.64 kg)	

Materials of Construction

Adjusting Stem & Capsule	Stainless Steel
Body	Zinc
Control Knob	Plastic
Diaphragm(s)	Buna-N
Seals	Buna-N
Springs	Stainless Steel
Valve Poppet	Stainless Steel

The P17 is a high precision, multi-stage pressure regulator. This pressure controller provides the highest level of regulation accuracy and repeatability available and is ideal for applications that call for the utmost in control and maximum stability under variable operating conditions. A stainless steel measuring capsule is used as a sensing element to activate the high gain servo balanced control mechanism in which the main valve is controlled by a pilot valve. This allows for greater accuracy and eliminates many of the problems associated with conventional regulators using range springs and diaphragms.

 = "Most Popular"

Regulator Kits

Service Kits

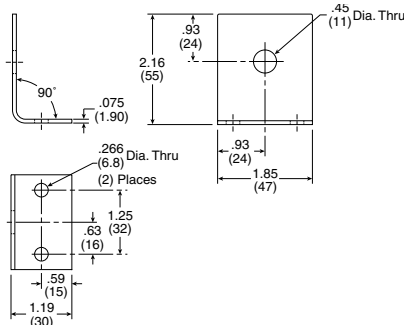
- 2-40 PSIG RKR210A*
- 2-120 PSIG RKR210C*
- 2-120 PSIG (High Relieving) RKR220C*

* Parts in Kit

Accessories

Mounting Bracket Kits

- Pipe Mounting SA200YW57
- Right Angle Mounting 446-707-045



Mounting Bracket: 446-707-045

⚠ WARNING

**Product rupture can cause serious injury.
Do not connect regulator to bottled gas.
Do not exceed maximum primary pressure rating.**

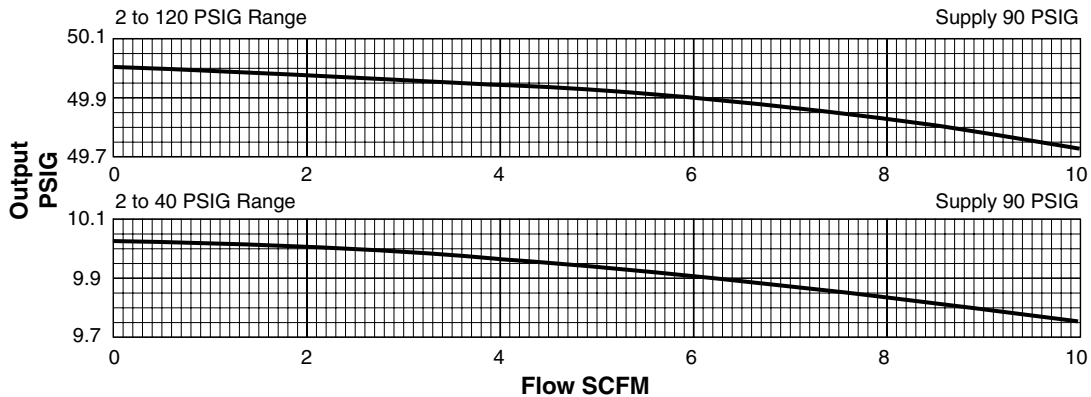
CAUTION:

REGULATOR PRESSURE ADJUSTMENT – The working range of knob adjustment is designed to permit outlet pressures within their full range. Pressure adjustment beyond this range is also possible because the knob is not a limiting device. This is a common characteristic of most industrial regulators, and limiting devices may be obtained only by special design. For best performance, regulated pressure should always be set by increasing the pressure up to the desired setting.

Applications

The P17 regulators are well suited for any process that requires very precise regulation of air pressure in pipes and vessels. These regulators are often used, but not limited to the following applications:

- Air Gauging
- Gas Mixing
- Calibration Standards
- Air Hoists
- Web Tensioning
- Gate Actuators
- Roll Loading
- Valve Operators
- Cylinder Loading

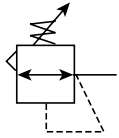


Ordering Information

Relieving		Reduced Pressure Range (PSIG)		
		2 to 40	2 to 120	2 to 120 High Relief
In / Out Ports	1/4"	P17-02A	P17-02C	P17-02C



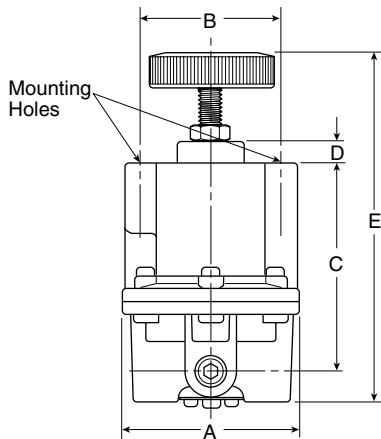
High Flow Precision Regulator P19



P19-02-000

Features

- Adjusting Knob
- Diaphragm Design for Good Repeatability, Response and Sensitivity
- Balanced Poppet
- Two Full Flow Gauge Ports
- Precise Regulation. Will Sense a Decrease in Downstream Pressure as Small as 1/4" of Water.
- High Flow Capacity. Flows of 80 SCFM Attainable with Minimal Drop.
- Stable Output. Dampening Action of Aspiration Tube makes Regulator Insensitive to Changes in Flow.
- On-line Maintenance. Can be Serviced Without Removal of Air Line.



Dimensions

Models	Inches (mm)	A	B	C	D	E
Standard Unit P19-XX-000		3.00 (76)	2.25 (57)	3.40 (86)	0.39 (10)	6.06 (154)

= "Most Popular"

Specifications

Flow Capacity –		
At 100 PSIG (6.89 bar)		
Supply, 80 PSIG (5.5 bar) Outlet	80 SCFM (37.8 dm ³ /s)	
Constant Bleed Rate	1.0 to 12.5 SCFH	
(Depending upon output pressure)		
Effect of Supply Pressure Variation –		
Less than 0.1 PSIG for 100 PSIG (6.89 bar) change		
Exhaust (Relief) Capacity –		
4 SCFM with downstream pressure 5 PSIG above set pressure. Exhaust commences at 0.01 PSIG above set pressure.		
Gauge Ports	Two Ports 1/4"	
(Can be used as additional Full Flow 1/4 Inch Outlet Ports)		
Operating Temperature Range –	-40°F to 160°F (-40°C to 71°C)	
Operating Pressure Range –		
	PSIG	bar
PRIMARY – Maximum	250	17
Port Threads	1/4", 3/8"	
Repeatability / Sensitivity	±0.010 PSIG (±0.00068 bar)	
Inches of Water Column = 1/4"		
Response	250 ms	
The valve will open to full flow and fill a volume of 1250 cm ³		
Weight	1lb. 10 oz. (0.74 kg)	

Materials of Construction

Adjusting Stem & Spring	Steel
Biased Spring	Stainless Steel
Body, Bonnet	Aluminum
Control Knob	Plastic
Diaphragm	Buna-N Elastomer and Polyester Fabric
Seals	Buna-N
Valve Poppet	Brass
Valve Poppet Seat	Buna-N

The P19 is designed for applications that require high flow capacity and accurate process control. A poppet valve which is balanced by utilizing a rolling diaphragm, insures a constant output pressure even during wide supply pressure variations. Stability of regulated pressure is maintained under varying flow conditions through the use of an aspirator tube which adjusts the air supply in accordance with the flow velocity.

 = "Most Popular"

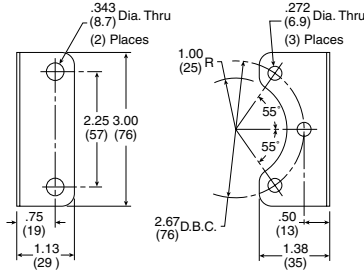
Regulator Kits

Service Kits – Relieving

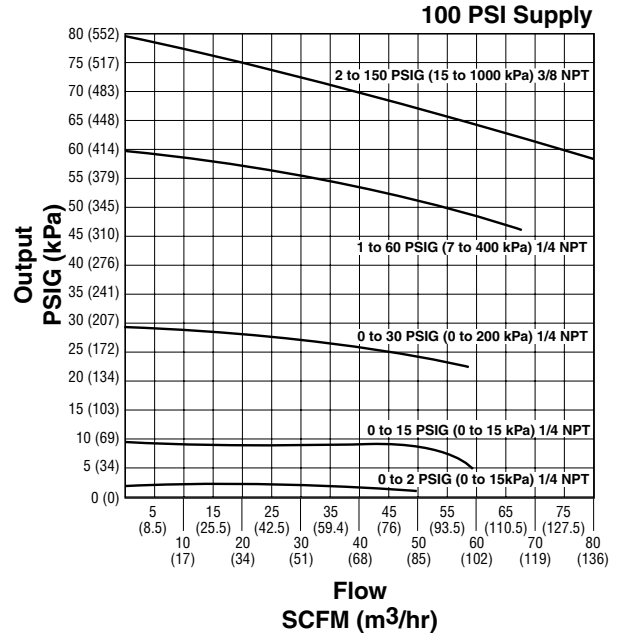
- 0 to 2 PSIG..... RKR230E
- 0 to 30 PSIG..... RKR230B
- 0 to 60 PSIG..... RKR230C
- 0 to 150 PSIG..... RKR230D

Accessories

Mounting Bracket Kit 446-707-025



Mounting Bracket: 446-707-025



⚠ WARNING

**Product rupture can cause serious injury.
Do not connect regulator to bottled gas.
Do not exceed maximum primary pressure rating.**

CAUTION:

REGULATOR PRESSURE ADJUSTMENT – The working range of knob adjustment is designed to permit outlet pressures within their full range. Pressure adjustment beyond this range is also possible because the knob is not a limiting device. This is a common characteristic of most industrial regulators, and limiting devices may be obtained only by special design. For best performance, regulated pressure should always be set by increasing the pressure up to the desired setting.

Applications

The P19 regulator is an ideal choice for any application that calls for accurately maintained output pressure under high flow conditions. This includes, but is not limited to such applications as:

- Test Equipment
- Gas Mixing
- Valve Operators
- Positioning Cylinders
- Laboratory Equipment
- Web Tensioning
- Clutch & Brake Controls
- Roll Loading
- Test Panels
- Actuators

Ordering Information

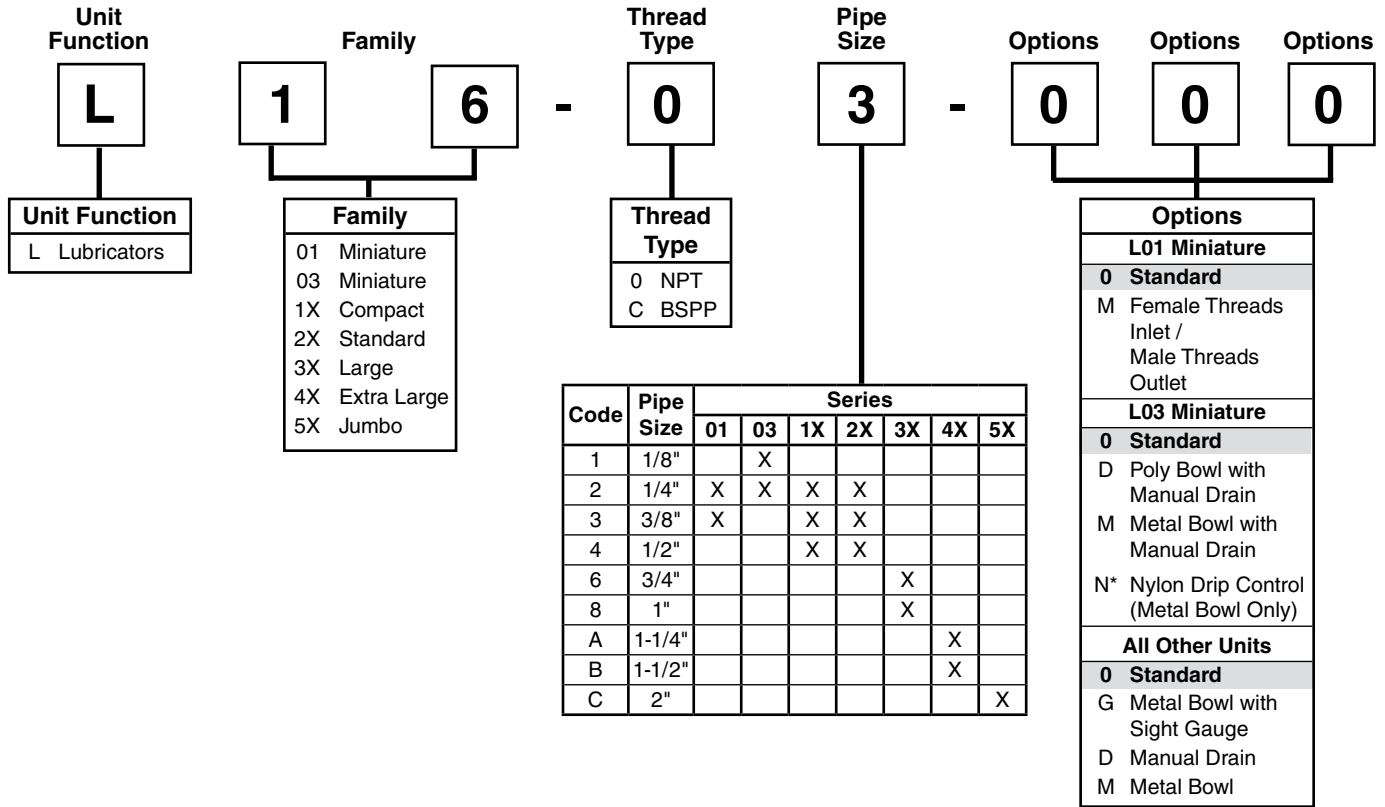
Relieving		Reduced Pressure Range (PSIG)			
		0 to 2	0 to 30	0 to 60	0 to 150
In / Out Ports	1/4 Inch	P19-02E	P19-02B	P19-02C	P19-02D
	3/8 Inch	N/A	P19-03B	P19-03C	P19-03D



Notes

Lubricator Numbering System

 = "Most Popular"



* Available only with Metal Bowl "M".

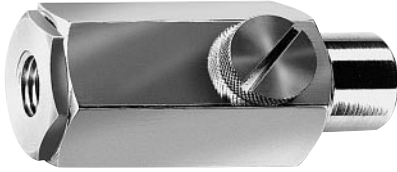
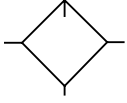
Note: When selecting from the options columns, please enter letters in alphabetical order for positions 6, 7, and 8. For example:

L16-03-0 0 0



Lubricator

L01

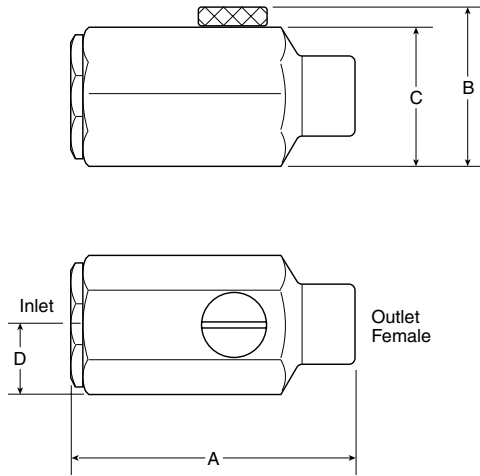


L01-02-000

In-Line Lubricator

In-Line Lubricators assure proper lubrication for small pneumatic hand tools. These in-line lubricators put the oil source right at the tool. Oil capacity is 1/4 oz. (1 ml) enough to last through an average 8-hour shift. This lubricator requires cyclical or intermittent airflow for proper operation, and consequently works best when installed at the tool inlet or on a short hose near the tool.

The L01 cannot be filled under pressure.



Dimensions

Models	Pipe Size Inlet	Pipe Size Outlet	Inches (mm)	A	B	C	D
Standard Unit	1/4" NPT Female	1/4" NPT Female		2.65 (67)	1.30 (33)	1.12 (28.5)	.65 (16.5)
L01-02-M00	1/4" NPT Female	1/4" NPT Male		2.93 (74)	1.30 (33)	1.12 (28.5)	.65 (16.5)
L01-03-M00	3/8" NPT Female	3/8" NPT Male		3.19 (81)	1.30 (33)	1.12 (28.5)	.65 (16.5)

= "Most Popular"

Specifications

Flow Capacity*	1/4 3/8	36.0 SCFM (17.0 dm ³ /s) 38.1 SCFM (18.0 dm ³ /s)
Maximum Supply Pressure	200 PSIG (13.8 bar)	
Operating Temperature	32° to 150°F (0° to 65.5°C)	
Port Size	NPT / BSPT-Rc	1/4, 3/8
Useful Retention**	oz. (cm ³)	0.25 (7.4)
Weight	lb. (kg)	0.2 (0.1)

* Inlet pressure 150 PSIG (10.3 bar). Pressure drop 5 PSID (0.3 bar).

** Useful retention refers to usable volume.

Materials of Construction

Body	Aluminum
Seals	Nitrile
Suggested Lubricant	Airline Oil F442001

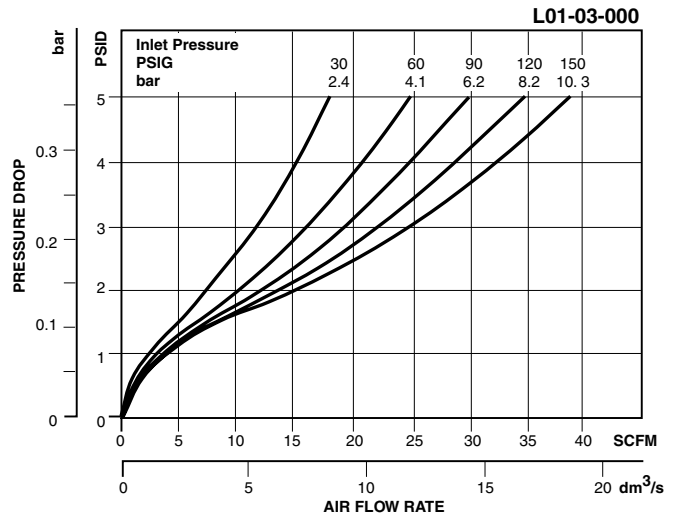
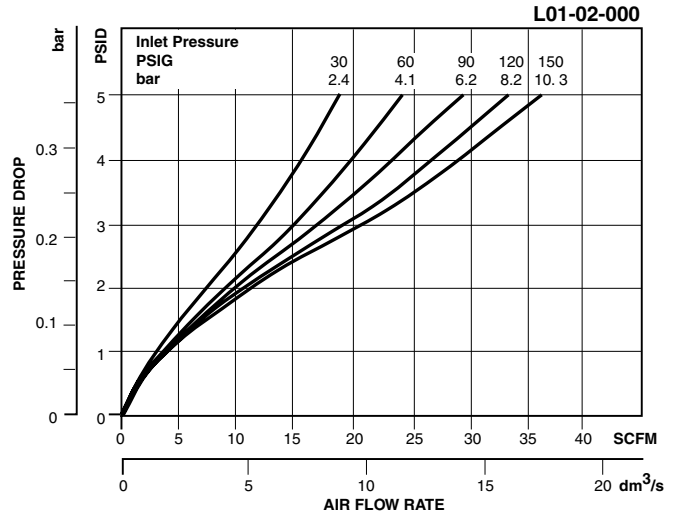
= "Most Popular"

Replacement Kits

- Fill Plug Kit – Brass Fill Plug and O-ring..... LRP-95-254
- O-ring Repair Kit LRP-95-074

Accessories

- Air Line Oil (1 Qt. Bottle) F442001



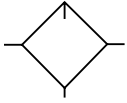
Ordering Information

Model Type	Port Size	Female Threads Inlet / Female Threads Outlet	Female Threads Inlet / Male Threads Outlet
In-Line Lubricator	1/4	L01-02-000	L01-02-M00
	3/8	—	L01-03-M00

Options - To order an option supplied with the unit model, add the appropriate coded suffix letter in the designated position of the model number.

Lubricator

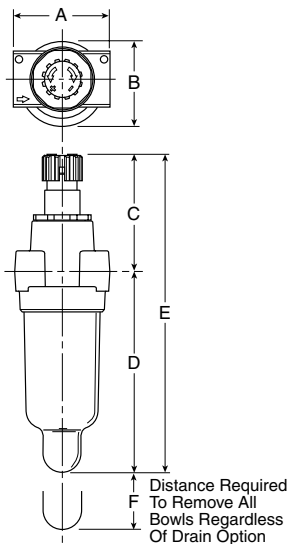
L03 EconOmist™



L03-01-000

Features

- Proportional Oil Delivery over a Wide Range of Air Flows
- Precision Needle Valve Assures Repeatable Oil Delivery and Provides Simple Adjustment of Delivery Rate
- Ideal for Low and High flow Applications with Changing Air Flow
- Transparent Sight Dome for 360° Visibility



Dimensions

Models	Inches (mm)	A	B	C	D	D†	E	E†	F
Standard Unit L03-XX-000		1.73 (44)	1.56 (40)	2.16 (55)	3.64 (92)	3.78 (96)	5.80 (147)	5.94 (151)	1.60 (41)

† With Twist Drain

= "Most Popular"

Specifications

Flow Capacity*	1/8	20 SCFM (9.4 dm³/s)
	1/4	20 SCFM (9.4 dm³/s)
Bowl Capacity	1 Ounce	
Minimum Flow for Lubrication	0.7 SCFM at 100 PSIG	
Port Threads	1/8, 1/4 Inch	
Pressure & Temperature Ratings –		
Polycarbonate Bowl –	0 to 150 PSIG (0 to 10.3 bar) 32°F to 125°F (0°C to 52°C)	
Metal Bowl –	0 to 250 PSIG (0 to 17.2 bar) 32°F to 175°F (0°C to 80°C)	

Suggested Lubricant

Petroleum based oil of 100 to 200 SUS viscosity at 100°F and an aniline point greater than 200°F
(DO NOT USE OILS WITH ADDITIVES, COMPOUNDED OILS CONTAINING SOLVENTS, GRAPHITE, DETERGENTS, OR SYNTHETIC OILS.)

Weight	.4 lb. (.18 kg)
--------	-----------------

* Inlet pressure 90 PSIG (6.2 bar). Pressure drop 5 PSID (0.3 bar).

Materials of Construction

Body	Zinc
Bowls –	
Transparent	Polycarbonate
Metal (Without Sight Gauge)	Zinc
Drains – Manual – Body & Nut	Plastic
Seals	Nitrile
Sight Dome	Polycarbonate

Replacement Kits

Bowl Kits –

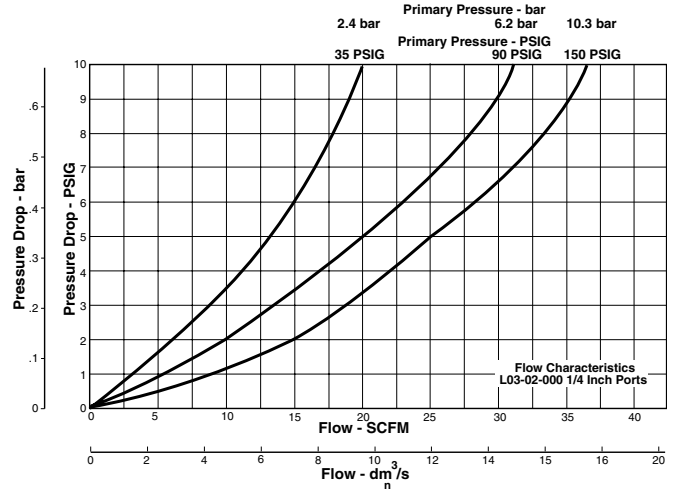
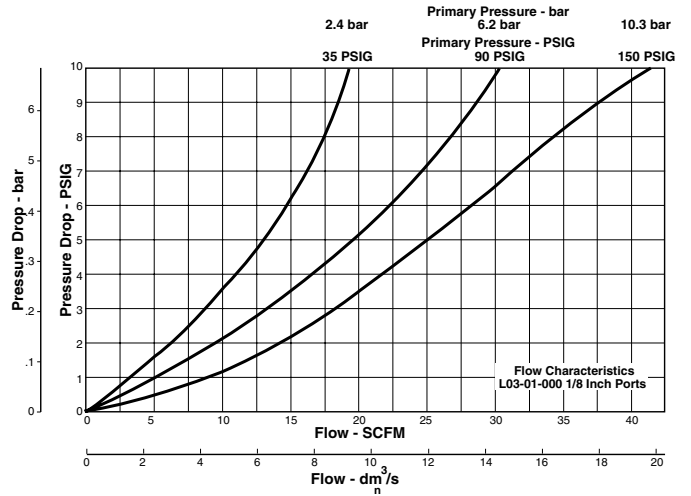
- Poly Bowl, Manual DrainPS420
- Metal Bowl – Manual Drain (No Sight Gauge) PS447B
- Poly Bowl – No Drain.....PS421

Accessories

Air Line Oil (1 Qt. Bottle) F442001

Mounting Bracket Kit PS419

= “Most Popular”



E

Ordering Information

Model Type	Port Size	Polycarbonate Bowl	Metal Bowl
EconOmist™	1/8	L03-01-000	L03-01-M00
	1/4	L03-02-000	L03-02-M00

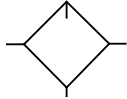
Options - To order an option supplied with the unit model, add the appropriate coded suffix letter in the designated position of the model number.

Lubricator

L16 EconOmist™

L17 AtoMist™

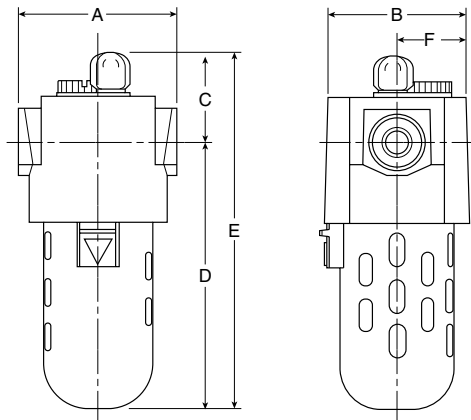
= "Most Popular"



L16 / L17-02-000

Features

- L16 Model can be Filled with Lubricant while Under Pressure (L17 AtoMist™ cannot be Filled Under Pressure)
- Siphon Tube Filter Provides Clean Lubricant Downstream
- Quick-Disconnect Bowl Guard with Integral Plastic Bowl and Safety Latch
- Adjustable Oil Feed
- Optional Petcock Drain in Polycarbonate Bowl



Dimensions

Models	Inches (mm)	A	B	C	D	E	F
Standard Unit L16-XX-000 & L17-XX-000		3.00 (76)	2.62 (66.5)	1.62 (41)	5.03 (128)	6.66 (169)	1.31 (33.3)
Manual Drain L16-XX-D00 & L17-XX-D00		3.00 (76)	2.62 (66.5)	1.62 (41)	5.83 (148)	6.58 (167)	1.31 (33.3)
Metal Bowl with Sight Gauge L16-XX-G00 & L17-XX-G00		3.00 (76)	2.62 (66.5)	1.62 (41)	6.21 (158)	7.80 (198)	1.31 (33.3)

Specifications

Flow Capacity*	1/4	36.1 SCFM (17.0 dm ³ /s)
	3/8	58.5 SCFM (27.6 dm ³ /s)
	1/2	64.0 SCFM (30.2 dm ³ /s)
Initial Drip Flow	.38 - 1.37 SCFM	
Maximum Supply Pressure	Plastic Bowl	150 PSIG (10.3 bar)
	Metal Bowl	200 PSIG (13.8 bar)
Minimum Flow for Lubrication	1.4 SCFM @ 100 PSIG	
Operating Temperature	Plastic Bowl	32° to 125°F (0° to 52°C)
	Metal Bowl	32° to 150°F (0° to 65.5°C)
Port Size	NPT / BSPP-G	1/4, 3/8, 1/2
Useful Retention**	oz. (cm ³)	L16 5 (148)
	oz. (cm ³)	L17 3.4 (99.4)
Weight	lb. (kg)	1.8 (0.82)

* Inlet pressure 150 PSIG (10.3 bar). Pressure drop 5 PSID (0.3 bar).

** Useful retention refers to usable volume.

Materials of Construction

Body	Zinc	
Bowl	Plastic Bowl	Polycarbonate
	Metal Bowl	Zinc
Seals	Plastic Bowl	Nitrile
	Metal Bowl	Fluorocarbon
Sight Dome	Polycarbonate	
Sight Gauge	Metal Bowl	Polycarbonate
Suggested Lubricant	Airline Oil F442001	

 = "Most Popular"

Replacement Bowl Kits

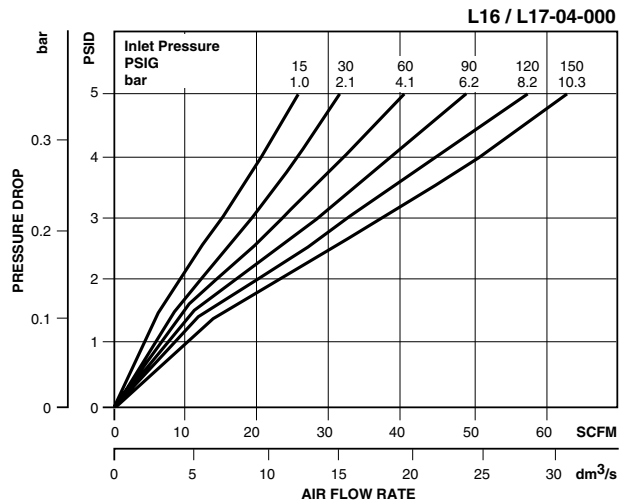
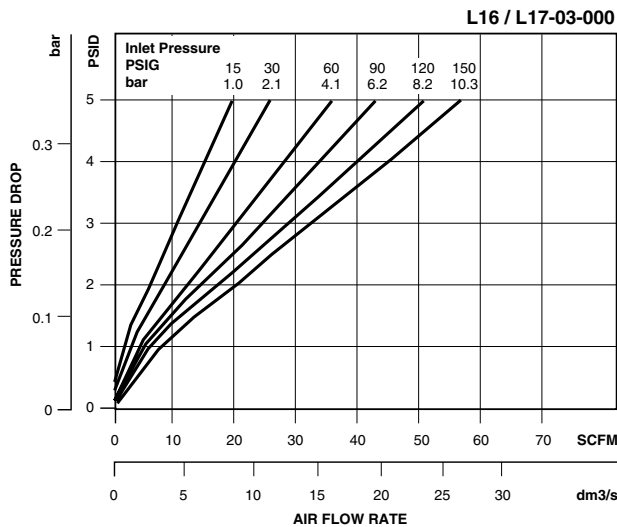
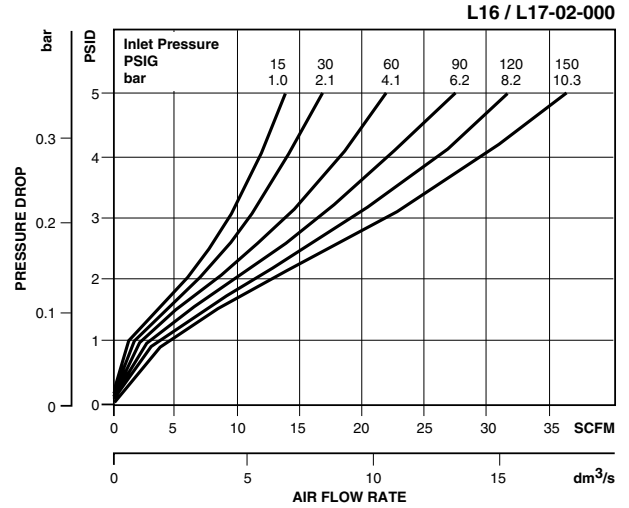
- Metal Bowl with Sight Gauge,
Brass Petcock DrainGRP-95-133
- Plastic Bowl –
No Drain Port.....LRP-96-937
- Plastic Petcock Drain.....LRP-96-543

Replacement Kits

- Fill Plug Kit – Fill Plug and O-ringLRP-95-253
- Flow Guide –
1/4 NPT / BSPP-G , L16LRP-95-241
- 3/8 and 1/2 NPT / BSPP-G, L16.....LRP-95-242
- 1/4 NPT / BSPP-G , L17LRP-95-246
- 3/8 and 1/2 NPT / BSPP-G, L17.....LRP-95-247
- Sight Dome Kit – Sight Dome and O-ring.....LRP-95-239
- Tube, Siphon – Tube and Bronze Filter.....LRP-96-005

Accessories

- Adapter, Force Fill GRP-96-394
- Air Line Oil (1 Qt. Bottle) F442001
- Low Level Switch.....LRP-95-093
- Manual Drain –
Brass Petcock.....GRP-95-182
- Plastic PetcockLRP-95-181
- Tamper Resistant Kit.....LRP-95-587
- Wall Mounting Bracket, L-Type.....GPA-95-016



Ordering Information

Model Type	Port Size	Polycarbonate Bowl / Bowl Guard	Polycarbonate Bowl / Bowl Guard with Manual Drain	Metal Bowl / Sight Gauge
EconOmist™	1/4	L16-02-000	L16-02-D00	L16-02-G00
	3/8	L16-03-000	L16-03-D00	L16-03-G00
	1/2	L16-04-000	L16-04-D00	L16-04-G00
AtoMist™	1/4	L17-02-000	L17-02-D00	L17-02-G00
	3/8	L17-03-000	L17-03-D00	L17-03-G00
	1/2	L17-04-000	L17-04-D00	L17-04-G00

Options - To order an option supplied with the unit model, add the appropriate coded suffix letter in the designated position of the model number.



Lubricator

L26 EconOmist™

L27 AtoMist™

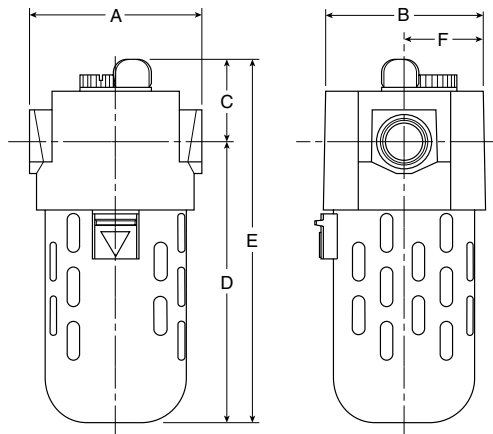
= "Most Popular"



L26 / L27-02-000

Features

- L26 Model can be Filled with Lubricant while Under Pressure (L27 AtoMist™ cannot be Filled Under Pressure)
- Siphon Tube Filter Provides Clean Lubricant Downstream
- Quick-Disconnect Bowl Guard with Integral Plastic Bowl and Safety Latch
- Adjustable Oil Feed
- Optional Petcock Drain in Polycarbonate Bowl



Dimensions

Models	Inches (mm)	A	B	C	D	E	F
Standard Unit L26-XX-000 & L27-XX-000		3.35 (85)	3.06 (78)	1.60 (41)	5.46 (139)	7.06 (179)	1.53 (38.9)
Manual Drain L26-XX-D00 & L27-XX-D00		3.35 (85)	3.06 (78)	1.60 (41)	6.42 (163)	7.76 (197)	1.53 (38.9)
Metal Bowl with Sight Gauge L26-XX-G00 & L27-XX-G00		3.35 (85)	3.06 (78)	1.60 (41)	6.42 (163)	7.80 (198)	1.53 (38.9)

Specifications

Flow Capacity*	1/4	35 SCFM (16.5 dm ³ /s)
	3/8	60 SCFM (28.3 dm ³ /s)
	1/2	128 SCFM (60.4 dm ³ /s)
Maximum Supply Pressure	Plastic Bowl	150 PSIG (10.3 bar)
	Metal Bowl	200 PSIG (13.8 bar)
Operating Temperature	Plastic Bowl	32° to 125°F (0° to 52°C)
	Metal Bowl	32° to 150°F (0° to 65.5°C)
Port Size	NPT / BSPP-G	1/4, 3/8, 1/2
Useful Retention**	oz. (cm ³)	L26 10 (296)
	oz. (cm ³)	L27 6.6 (194)
Weight	lb. (kg)	2.4 (1.07)

* Inlet pressure 150 PSIG (10.3 bar). Pressure drop 5 PSID (0.3 bar).

** Useful retention refers to usable volume.

Materials of Construction

Body		Zinc
Bowls	Plastic Bowl	Polycarbonate
	Metal Bowl	Zinc
Seals	Plastic Bowl	Nitrile
	Metal Bowl	Fluorocarbon
Sight Gauge	Metal Bowl	Nylon
Sight Dome		Nylon
Suggested Lubricant		Airline Oil F442001

 = "Most Popular"

Replacement Bowl Kits

Metal Bowl / Sight Gauge, Brass Petcock Drain.... GRP-95-931

Plastic Bowl –

No Drain Port.....LRP-96-938

Plastic Petcock Drain.....LRP-95-958

Plastic Bowl / Guard, Brass Petcock Drain.....LRP-95-967

Replacement Kits

Fill Plug Kit – Fill Plug and O-ringLRP-95-253

Flow Guide –

1/4 NPT / BSPP-G, L26LRP-95-241

3/8 NPT / BSPP-G, L26LRP-95-242

1/2 NPT / BSPP-G, L26.....LRP-95-243

1/4 NPT / BSPP-G, L27.....LRP-95-246

3/8 NPT / BSPP-G, L27.....LRP-95-247

1/2 NPT / BSPP-G, L27.....LRP-95-248

Sight Dome Kit – Sight Dome and O-ring.....LRP-95-239

Tube, Siphon – Tube and Bronze Filter.....LRP-96-137

Accessories

Air Line Oil (1 Qt. Bottle)..... F442001

Auto-Fill™ Adapter Kit.....LRP-95-965

Force Fill Adapter.....GRP-96-394

Low Level Switch.....LRP-95-093

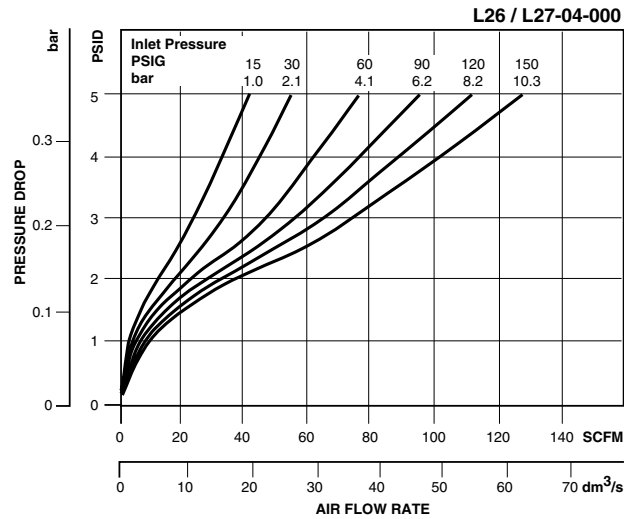
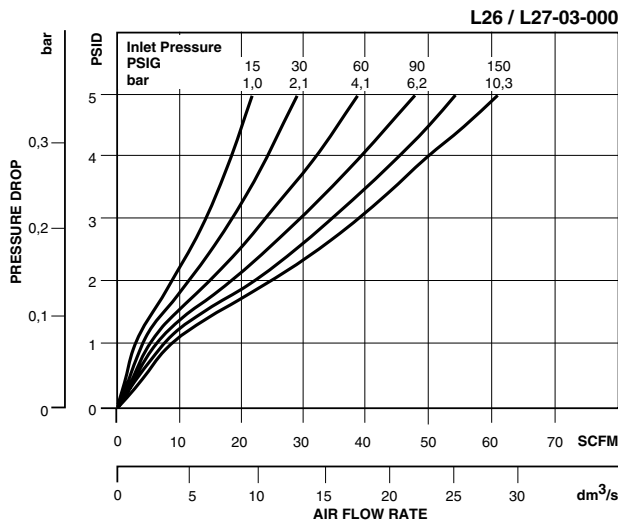
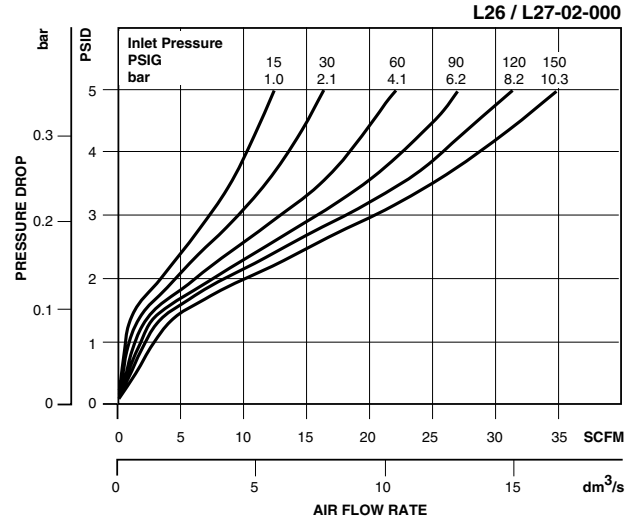
Manual Drain –

Brass Petcock.....GRP-95-182

Plastic Petcock.....LRP-95-181

Tamper Resistant Kit.....LRP-95-587

Wall Mounting Bracket, L-Type.....GPA-95-946



Ordering Information

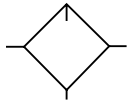
Model Type	Port Size	Polycarbonate Bowl / Bowl Guard	Polycarbonate Bowl / Bowl Guard with Manual Drain	Metal Bowl / Sight Gauge
EconOmist™	1/4	L26-02-000	L26-02-D00	L26-02-G00
	3/8	L26-03-000	L26-03-D00	L26-03-G00
	1/2	L26-04-000	L26-04-D00	L26-04-G00
AtoMist™	1/4	L27-02-000	L27-02-D00	L27-02-G00
	3/8	L27-03-000	L27-03-D00	L27-03-G00
	1/2	L27-04-000	L27-04-D00	L27-04-G00

Options - To order an option supplied with the unit model, add the appropriate coded suffix letter in the designated position of the model number.



Lubricator

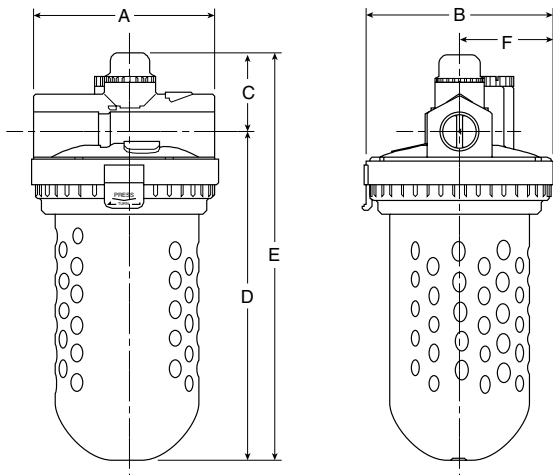
L30 EconOmist™



L30-06-000

Features

- Full View Sight Dome
- Siphon Tube Filter Provides Clean Lubricant Downstream
- Quick-Disconnect Clamp Ring for Easy Bowl Removal
- Adjustable Oil Feed
- Standard Transparent Bowl with Metal Bowl Guard
- Optional Petcock in Polycarbonate Bowl
- Can be Filled while Under Pressure



Dimensions

Models	Inches (mm)	A	B	C	D	E	F
Standard Unit L30-XX-000		4.63 (117)	4.79 (122)	1.98 (50)	8.36 (212)	10.34 (263)	2.40 (61)
Manual Drain L30-XX-D00		4.63 (117)	4.79 (122)	1.98 (50)	8.90 (226)	10.90 (277)	2.40 (61)
Metal Bowl with Sight Gauge L30-XX-G00		4.63 (117)	4.79 (122)	1.98 (50)	8.90 (226)	10.90 (277)	2.40 (61)

= "Most Popular"

Specifications

Flow Capacity*	3/4	196 SCFM (92.4 dm ³ /s)
	1	374 SCFM (176.4 dm ³ /s)
Operating Temperature	Plastic Bowl	32° to 125°F (0° to 52°C)
	Metal Bowl	32° to 150°F (0° to 65.5°C)
Maximum Supply Pressure	Plastic Bowl	150 PSIG (10.3 bar)
	Metal Bowl	200 PSIG (13.8 bar)
Useful Retention**	oz. (cm ³)	26 (769)
Port Size	NPT / BSPP-G	3/4, 1
Weight	lb. (kg)	5.6 (2.54)

* Inlet pressure 120 PSIG (8.3 bar). Pressure drop 5 PSID (0.3 bar).

** Useful retention refers to usable volume.

Materials of Construction

Body	Zinc	
Bowls	Plastic Bowl	Polycarbonate
	Metal Bowl	Aluminum
Seals	Plastic Bowl	Nitrile
	Metal Bowl	Fluorocarbon
Sight Dome	Nylon	
Sight Gauge	Metal Bowl	Tempered Safety Glass
Suggested Lubricant	Airline Oil F442001	

= "Most Popular"

Replacement Bowl Kits

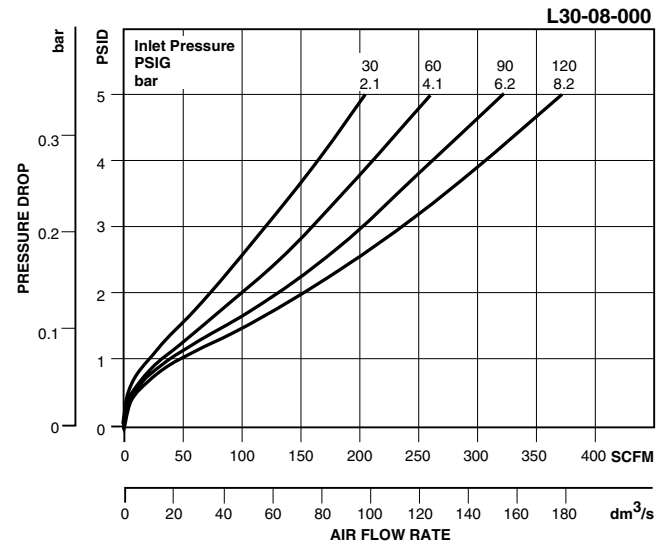
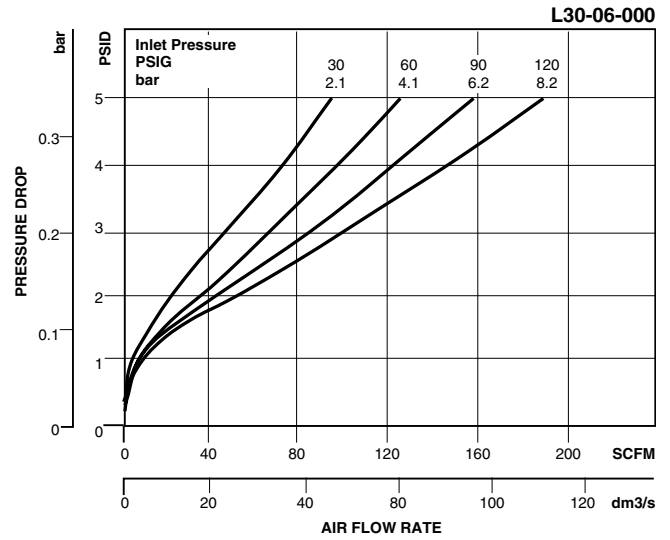
- Metal Bowl / Sight Gauge, Brass Petcock Drain.... GRP-95-676
- Plastic Bowl –
 - Guard, Plastic Petcock Drain LRP-95-830
 - No Drain Port..... LRP-96-940
 - Plastic Petcock Drain..... LRP-96-160

Replacement Kits

- Fill Plug Kit – Fill Plug and O-ring LRP-95-253
- Flow Guide –
 - 3/4 NPT / BSPP-G..... LRP-95-189
 - 1 NPT / BSPP-G..... LRP-95-190
- Sight Dome Kit – Sight Dome and O-ring..... LRP-95-249
- Tube, Siphon – Tube and Bronze Filter..... LRP-96-182

Accessories

- Air Line Oil (1 Qt.)..... F442001
- Air Line Oil (1 Gal.)..... F442002
- Auto-Fill™ Adapter Kit..... LRP-95-698
- Force Fill Adapter..... GRP-96-394
- Manual Drain –
 - Brass Petcock..... GRP-95-182
 - Plastic Petcock..... LRP-95-181
- Sight Gauge Kit..... LRP-95-771
- Tamper Resistant Kit..... LRP-95-587
- Wall Mounting Bracket, U-Bolt Pipe Clamp GRP-95-734



E

Ordering Information

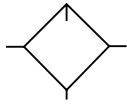
Model Type	Port Size	Polycarbonate Bowl / Bowl Guard	Polycarbonate Bowl / Bowl Guard with Manual Drain	Metal Bowl / Sight Gauge
EconOmist™	3/4	L30-06-000	L30-06-D00	L30-06-G00
	1	L30-08-000	L30-08-D00	L30-08-G00

Options - To order an option supplied with the unit model, add the appropriate coded suffix letter in the designated position of the model number.

Lubricator

L31 EconOmist™

= "Most Popular"



L31-08-000

Features

- Full View Sight Dome
- Siphon Tube Filter Provides Clean Lubricant Downstream
- Adjustable Oil Feed
- Metal Bowl with Sight Gauge Standard
- Manual Drain Standard
- Can be Filled while Under Pressure

Specifications

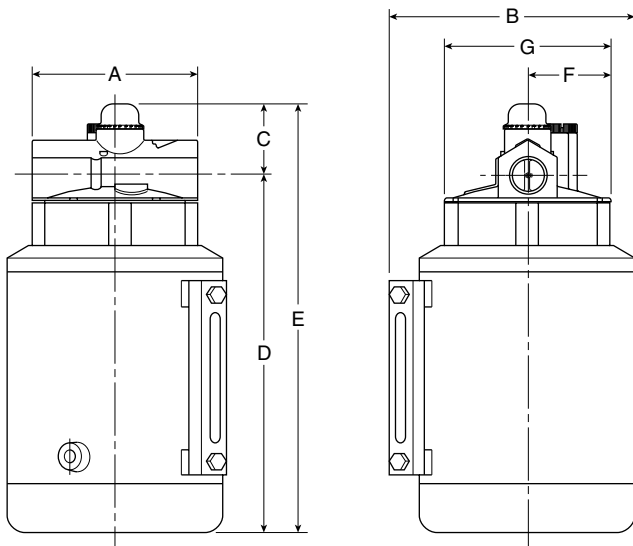
Flow Capacity*	1	374 SCFM (176.4 dm ³ /s)
Maximum Supply Pressure		200 PSIG (13.8 bar)
Operating Temperature		32° to 150°F (0° to 65.5°C)
Port Size	NPT / BSPP-G	1
Useful Retention**	oz. (cm ³)	96 (2841)
Weight	lb. (kg)	16.06 (7.3)

* Inlet pressure 120 PSIG (8.3 bar). Pressure drop 5 PSID (0.3 bar).

** Useful retention refers to usable volume.

Materials of Construction

Body	Zinc
Bowl	Steel (Welded)
Seals	Fluorocarbon
Sight Dome	Nylon
Sight Gauge	Tempered Safety Glass
Suggested Lubricant	Airline Oil F442001



Dimensions

Models	Inches (mm)	A	B	C	D	E	F	G
Standard Unit L31-08-000		4.63 (117)	7.27 (185)	1.98 (50)	9.97 (253)	11.96 (304)	3.00 (76.2)	4.63 (117)

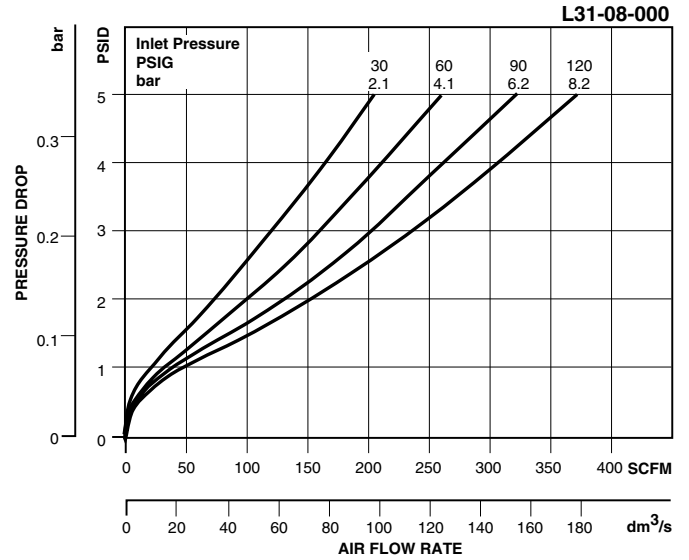
= "Most Popular"

Replacement Kits

- Fill Plug Kit – Fill Plug and O-ring LRP-95-253
- Flow Guide, 1 NPT / BSPP-G LRP-95-190
- Sight Dome Kit – Sight Dome and O-ring..... LRP-95-249

Accessories

- Air Line Oil (1 Gal.)..... F442002
- Air Line Oil (4 Gal. Case)..... F442005
- Force Fill Adapter..... GRP-96-394
- Manual Drain, Brass Petcock..... GRP-95-182
- Tamper Resistant Kit..... LRP-95-587
- Wall Mounting Bracket, U-Bolt Pipe Clamp GRP-95-734



Ordering Information

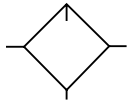
Model Type	Port Size	Metal Bowl with Sight Gauge and Manual Drain
EconOmist™	1	L31-08-000

Options - To order an option supplied with the unit model, add the appropriate coded suffix letter in the designated position of the model number.

Lubricator

L32 EconOmist™

= "Most Popular"



L32-08-000

Features

- Full View Sight Dome
- Siphon Tube Filter Provides Clean Lubricant Downstream
- Adjustable Oil Feed
- Metal Bowl with Sight Gauge Standard
- Manual Drain Standard
- Can be Filled while Under Pressure

Specifications

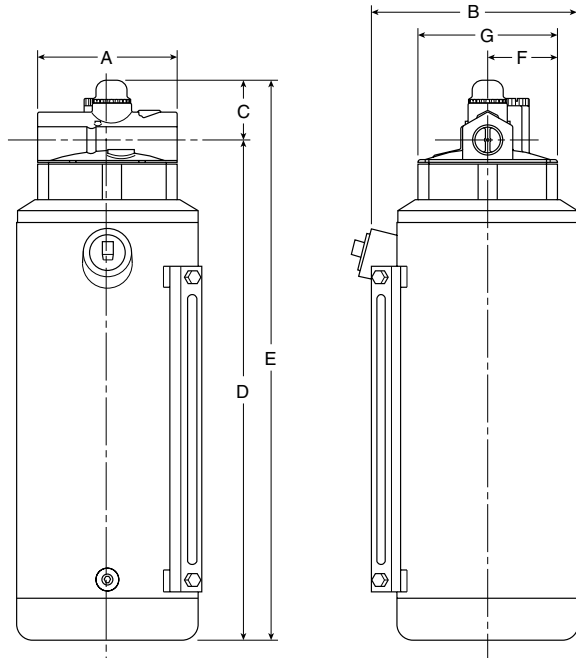
Flow Capacity*	1	374 SCFM (176.4 dm ³ /s)
Maximum Supply Pressure		200 PSIG (13.8 bar)
Operating Temperature		32° to 150°F (0° to 65.5°C)
Port Size	NPT / BSPP-G	1
Useful Retention**	oz. (cm ³)	208 (6157)
Weight	lb. (kg)	18 (8.2)

* Inlet pressure 120 PSIG (8.3 bar). Pressure drop 5 PSID (0.3 bar).

** Useful retention refers to usable volume.

Materials of Construction

Body	Zinc
Bowl	Steel (Welded)
Seals	Fluorocarbon
Sight Dome	Nylon
Sight Gauge	Tempered Safety Glass
Suggested Lubricant	Airline Oil F442001



Dimensions

Models	Inches (mm)	A	B	C	D	E	F	G
Standard Unit L32-XX-000		4.63 (117)	8.30 (211)	1.98 (50)	16.54 (420)	18.52 (470)	3.00 (76.2)	4.63 (117)

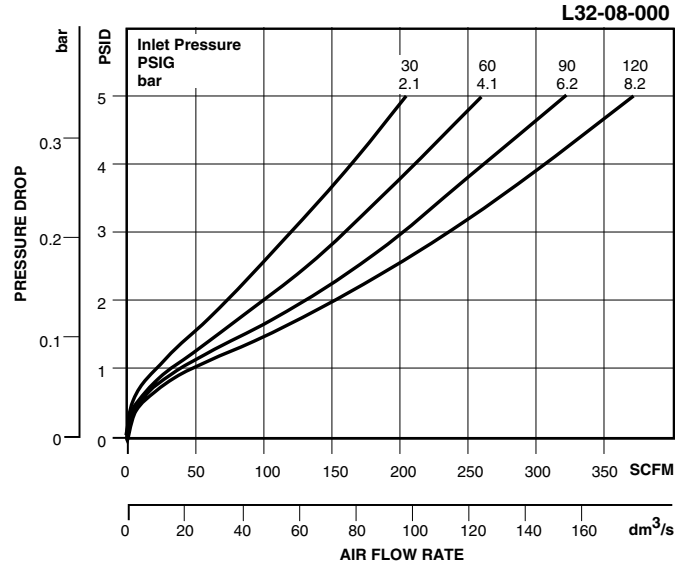
= "Most Popular"

Replacement Kits

- Fill Plug Kit – Fill Plug and O-ring LRP-95-253
- Flow Guide, 1 NPT / BSPP-G LRP-95-190
- Sight Dome Kit – Sight Dome and O-ring..... LRP-95-249

Accessories

- Air Line Oil (4 Gal. Case) F442005
- Force Fill Adapter GRP-96-394
- Manual Drain, Brass Petcock..... GRP-95-182
- Tamper Resistant Kit..... LRP-95-587
- Wall Mounting Bracket, U-Bolt Pipe Clamp GRP-95-734



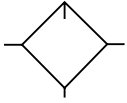
Ordering Information

Model Type	Port Size	Metal Bowl with Sight Gauge and Manual Drain
EconOmist™	1	L32-08-000

Options - To order an option supplied with the unit model, add the appropriate coded suffix letter in the designated position of the model number.

Lubricator

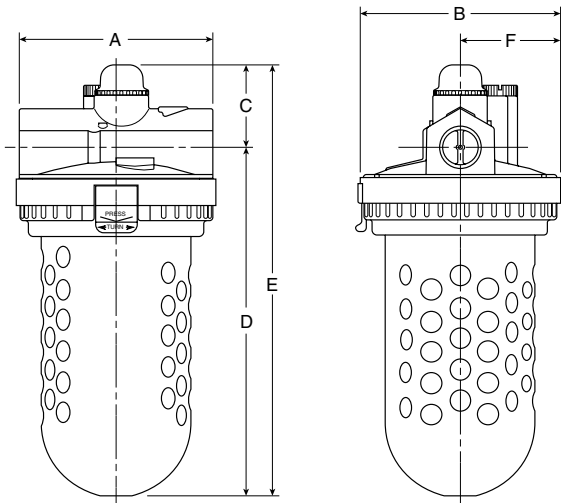
L34 AtoMist™



L34-06-000

Features

- Full View Sight Dome
- Siphon Tube Filter Provides Clean Lubricant Downstream
- Quick-Disconnect Clamp Ring for Easy Bowl Removal
- Adjustable Oil Feed
- Standard Transparent Bowl with Metal Bowl Guard
- Optional Petcock in Polycarbonate Bowl
- **Cannot be Filled while Under Pressure**



Dimensions

Models	Inches (mm)	A	B	C	D	E	F
Standard Unit L34-XX-000		4.63 (117)	4.80 (122)	1.98 (50)	8.34 (212)	10.32 (262)	2.40 (61)
Metal Bowl with Sight Gauge L34-XX-G00		4.63 (117)	4.80 (122)	1.98 (50)	8.34 (212)	10.32 (262)	2.40 (61)

= "Most Popular"

Specifications

Flow Capacity*	3/4	196 SCFM (92.4 dm ³ /s)
	1	374 SCFM (176.4 dm ³ /s)
Maximum Supply Pressure	Plastic Bowl	150 PSIG (10.3 bar)
	Metal Bowl	200 PSIG (13.8 bar)
Operating Temperature	Plastic Bowl	32° to 125°F (0° to 52°C)
	Metal Bowl	32° to 150°F (0° to 65.5°C)
Port Size	NPT / BSPP-G	3/4, 1
Useful Retention**	oz. (cm ³)	21.04 (622.3)
Weight	lb. (kg)	5.7 (2.6)

* Inlet pressure 120 PSIG (8.3 bar). Pressure drop 5 PSID (0.3 bar).

** Useful retention refers to usable volume.

Materials of Construction

Body	Zinc	
Bowls	Plastic Bowl	Polycarbonate
	Metal Bowl	Aluminum
Seals	Plastic Bowl	Nitrile
	Metal Bowl	Fluorocarbon
Sight Dome	Nylon	
Sight Gauge	Metal Bowl	Tempered Safety Glass
Suggested Lubricant	Airline Oil F442001	

= "Most Popular"

Replacement Bowl Kits

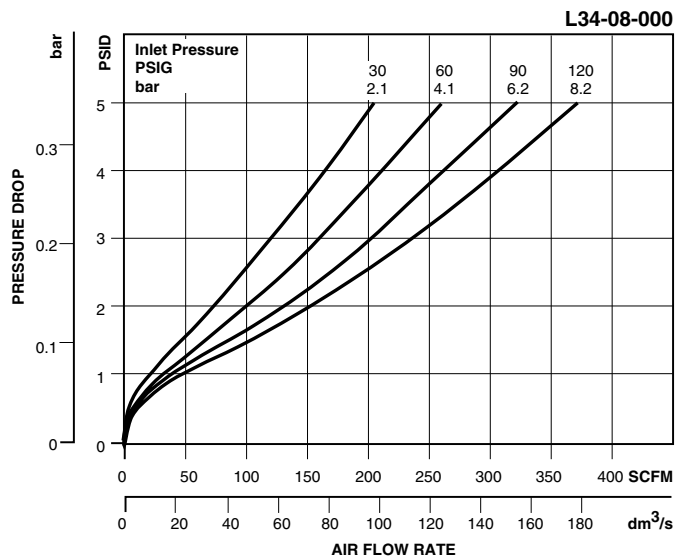
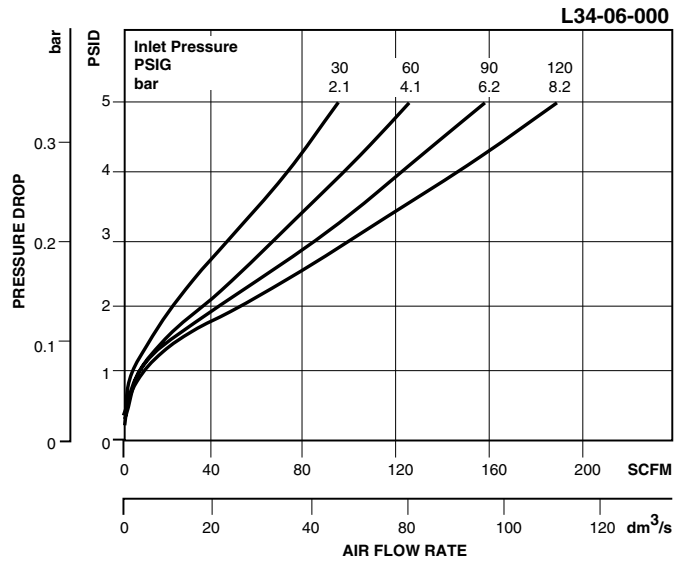
- Metal Bowl –
 - Brass Petcock DrainFRP-95-593
 - Sight Gauge, Brass Petcock Drain..... GRP-95-676
- Plastic Bowl –
 - Plastic Petcock Drain..... LRP-96-160
 - Guard, Plastic Petcock Drain LRP-95-830
 - No Drain PortLRP-96-940

Replacement Kits

- Fill Plug Kit – Fill Plug and O-ring LRP-95-253
- Flow Guide –
 - 3/4 NPTLRP-95-244
 - 1 NPT / BSPP-G..... LRP-95-245
- Sight Dome Kit – Sight Dome and O-ring..... LRP-95-249
- Tube, Siphon – Tube and Bronze Filter..... LRP-96-182

Accessories

- Air Line Oil (1 Qt.)..... F442001
- Air Line Oil (1 Gal.)..... F442002
- Auto-Fill™ Adapter Kit.....LRP-95-698
- Force Fill Adapter..... GRP-96-394
- Manual Drain –
 - Brass Petcock.....GRP-95-182
 - Plastic Petcock.....LRP-95-181
- Sight Gauge Kit..... LRP-95-771
- Tamper Resistant Kit.....LRP-95-587
- Wall Mounting Bracket, U-Bolt Pipe Clamp GRP-95-734



Ordering Information

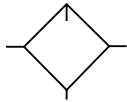
Model Type	Port Size	Polycarbonate Bowl / Bowl Guard	Metal Bowl / Sight Gauge
AtoMist™	3/4	L34-06-000	L34-06-G00
	1	L34-08-000	L34-08-G00

Options - To order an option supplied with the unit model, add the appropriate coded suffix letter in the designated position of the model number.



Lubricator

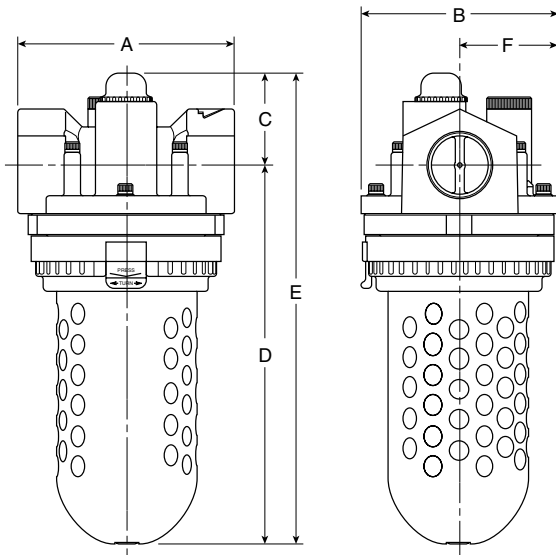
L40 EconOmist™



L40-0A-000

Features

- Full View Sight Dome
- Siphon Tube Filter Provides Clean Lubricant Downstream
- Quick-Disconnect Clamp Ring for Easy Bowl Removal
- Adjustable Oil Feed
- Standard Transparent Bowl with Metal Bowl Guard
- Can be Filled while Under Pressure



Dimensions

Models	Inches (mm)	A	B	C	D	E	F
Standard Unit L40-XX-000		5.50 (140)	5.00 (127)	2.28 (58)	9.33 (237)	11.60 (295)	2.41 (61.2)

= "Most Popular"

Specifications

Flow Capacity*	1-1/4, 1-1/2	927 SCFM (437 dm ³ /s)
Initial Drip Flow		.95 SCFM
Maximum Supply Pressure		150 PSIG (10.3 bar)
Minimum Flow for Lubrication		1 SCFM @ 100 PSIG
Operating Temperature		32° to 125°F (0° to 52°C)
Port Size	NPT / BSPP-G	1-1/4, 1-1/2
Useful Retention**	oz. (cm ³)	26 (769)
Weight	lb. (kg)	9.4 (4.3)

* Inlet pressure 120 PSIG (8.3 bar). Pressure drop 5 PSID (0.3 bar).

** Useful retention refers to usable volume.

Materials of Construction

Body	Zinc
Bowl	Polycarbonate
Seals	Nitrile
Sight Dome	Nylon
Suggested Lubricant	Airline Oil F442001

= "Most Popular"

Replacement Bowl Kits

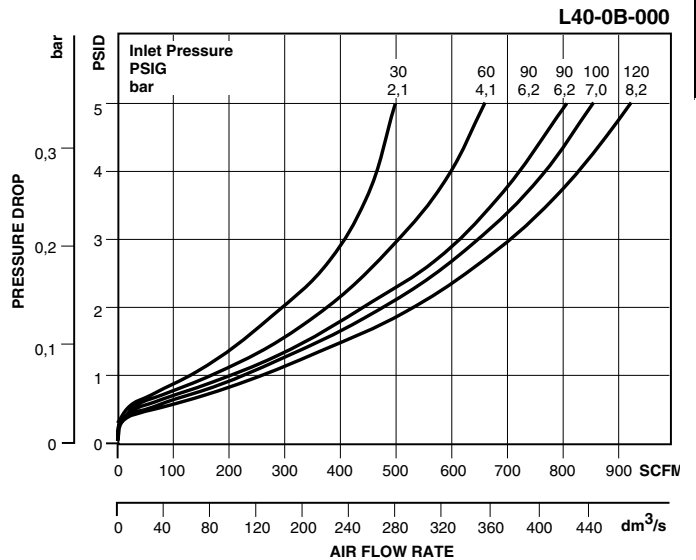
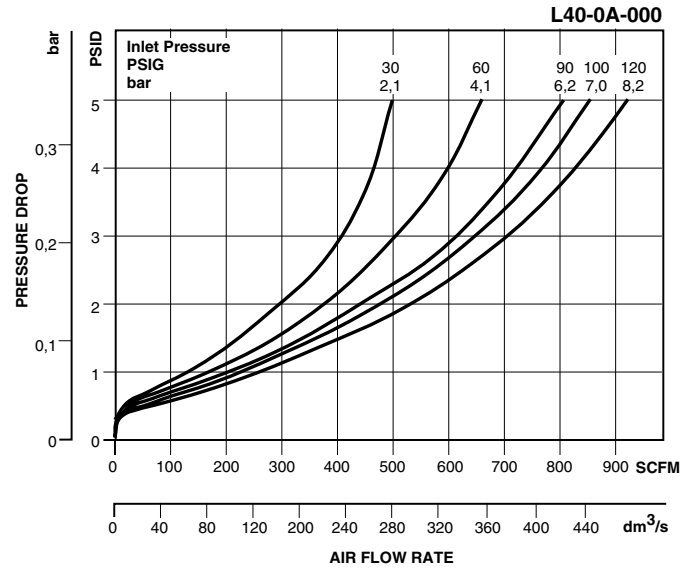
- Metal Bowl –**
 Brass Petcock DrainFRP-95-593
 Sight Gauge, Brass Petcock Drain..... GRP-95-676
- Plastic Bowl –**
 Plastic Petcock Drain..... LRP-96-160
 Guard, Plastic Petcock DrainLRP-95-830
 No Drain PortLRP-96-940

Replacement Kits

- Fill Plug Kit – Fill Plug and O-ring LRP-95-250
 Sight Dome Kit – Sight Dome and O-ring..... LRP-95-249
 Tube, Siphon – Tube and Bronze Filter..... LRP-96-182

Accessories

- Air Line Oil (1 Qt.)..... F442001
 Air Line Oil (1 Gal.)..... F442002
 Force Fill Adapter.....LRP-96-420
- Manual Drain –**
 Brass Petcock.....GRP-95-182
 Plastic PetcockLRP-95-181
- Tamper Resistant Kit..... LRP-95-587



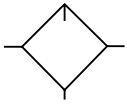
Ordering Information

Model Type	Port Size	Metal Bowl / Sight Gauge / Manual Drain	Polycarbonate Bowl / Bowl Guard	Polycarbonate Bowl / Bowl Guard / Manual Drain
EconOmist™	1-1/4	L40-0A-G00	L40-0A-000	L40-0A-D00
	1-1/2	L40-0B-G00	L40-0B-000	L40-0B-D00

Options - To order an option supplied with the unit model, add the appropriate coded suffix letter in the designated position of the model number.

Lubricator

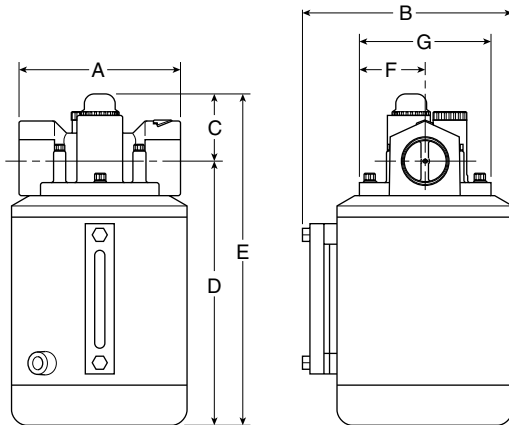
L41 EconOmist™



L41-0A-000

Features

- Full View Sight Dome
- Siphon Tube Filter Provides Clean Lubricant Downstream
- Adjustable Oil Feed
- Can be Filled while Under Pressure



Dimensions

Models	Inches (mm)	A	B	C	D	E	F	G
Standard Unit L41-XX-000		5.50 (140)	7.19 (183)	2.28 (58)	9.03 (229)	11.31 (287)	3.00 (76.2)	4.50 (1147)

= "Most Popular"

Specifications

Flow Capacity*	1-1/4, 1-1/2	927 SCFM (437 dm ³ /s)
Maximum Supply Pressure		200 PSIG (13.8 bar)
Operating Temperature		32° to 150°F (0° to 65.5°C)
Port Size	NPT / BSPP-G	1-1/4, 1-1/2
Useful Retention**	oz. (cm ³)	96 (2841)
Weight	lb. (kg)	16.3 (7.4)

* Inlet pressure 120 PSIG (8.3 bar). Pressure drop 5 PSID (0.3 bar).

** Useful retention refers to usable volume.

Materials of Construction

Body	Zinc
Bowl	Steel (Welded)
Seals	Fluorocarbon
Sight Dome	Nylon
Sight Gauge	Tempered Safety Glass
Suggested Lubricant	Airline Oil F442001

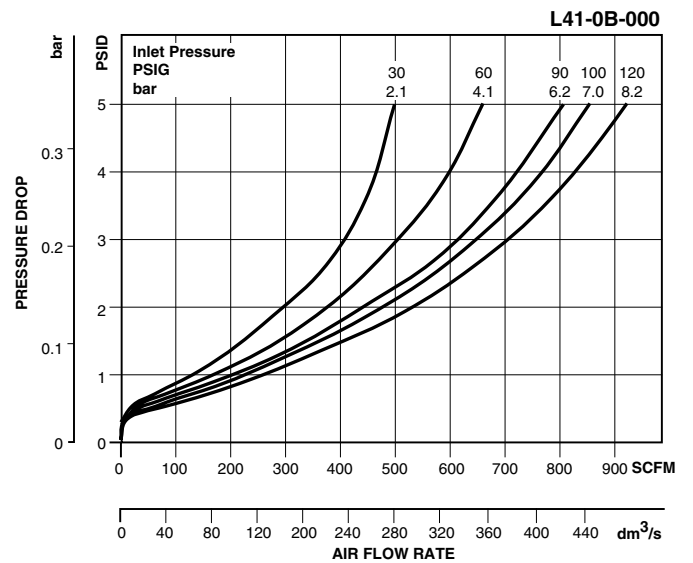
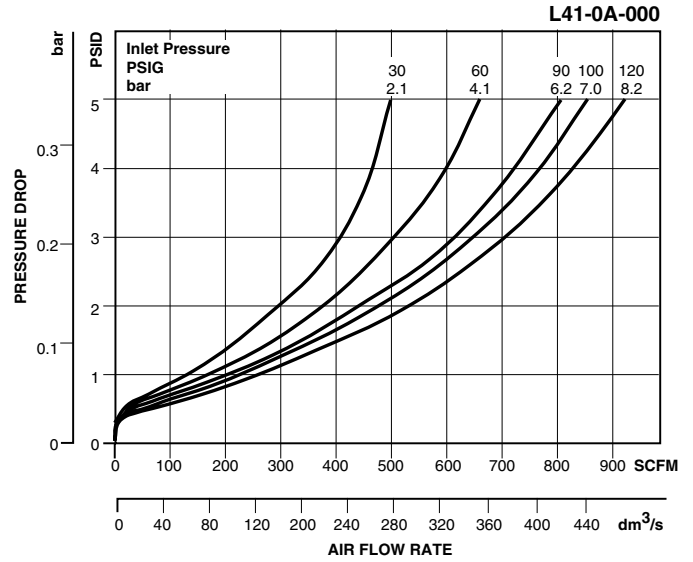
= "Most Popular"

Replacement Kits

- Fill Plug Kit – Fill Plug and O-ring LRP-95-250
- Flow Guide LRP-95-251
- Sight Dome Kit – Sight Dome and O-ring..... LRP-95-249

Accessories

- Air Line Oil (1 Gal.)..... F442002
- Air Line Oil (4 Gal. Case)..... F442005
- Force Fill Adapter.....LRP-96-420
- Manual Drain, Brass Petcock.....GRP-95-182
- Tamper Resistant Kit.....LRP-95-587



E

Ordering Information

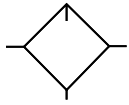
Model Type	Port Size	Polycarbonate Bowl / Bowl Guard
EconOmist™	1-1/4	L41-0A-000
	1-1/2	L41-0B-000

Options - To order an option supplied with the unit model, add the appropriate coded suffix letter in the designated position of the model number.

Lubricator

L42 EconOmist™

= "Most Popular"



L42-0A-000

Specifications

Flow Capacity*	1-1/4, 1-1/2	927 SCFM (437 dm ³ /s)
Maximum Supply Pressure		200 PSIG (13.8 bar)
Operating Temperature		32° to 150°F (0° to 65.5°C)
Port Size	NPT / BSPP-G	1-1/4, 1-1/2
Useful Retention**	oz. (cm ³)	208 (6157)
Weight	lb. (kg)	22.5 (10.2)

* Inlet pressure 120 PSIG (8.3 bar). Pressure drop 5 PSID (0.3 bar).

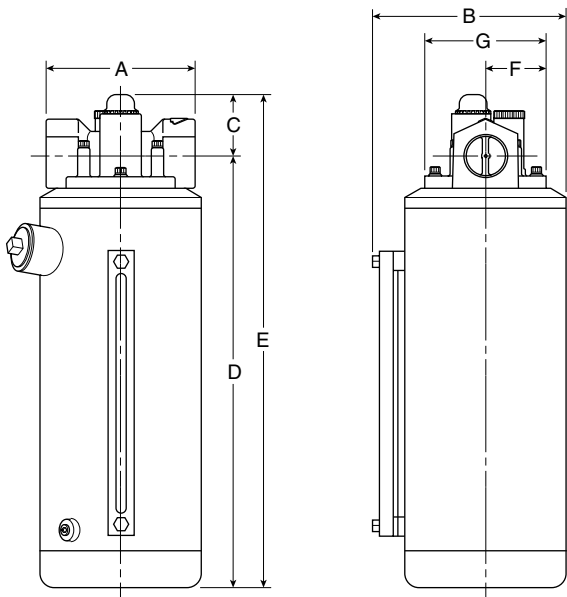
** Useful retention refers to usable volume.

Materials of Construction

Body	Zinc
Bowls	Steel (Welded)
Seals	Fluorocarbon
Sight Dome	Nylon
Sight Gauge	Tempered Safety Glass
Suggested Lubricant	Airline Oil F442001

Features

- Full View Sight Dome
- Siphon Tube Filter Provides Clean Lubricant Downstream
- Adjustable Oil Feed
- Can be Filled while Under Pressure



Dimensions

Models	Inches (mm)	A	B	C	D	E	F	G
Standard Unit L42-XX-000		5.50 (140)	7.19 (183)	2.28 (58)	16.01 (407)	18.29 (465)	3.00 (76.2)	4.50 (114)

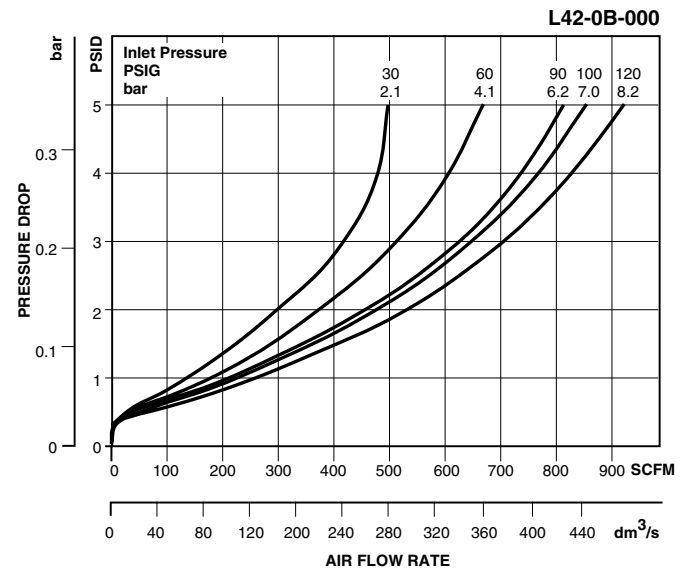
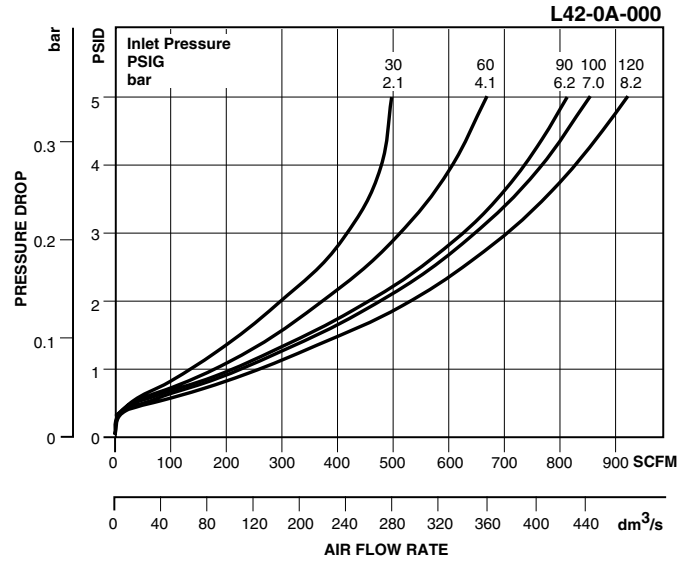
= "Most Popular"

Replacement Kits

- Fill Plug Kit – Fill Plug and O-ring LRP-95-250
- Flow Guide LRP-95-251
- Sight Dome Kit – Sight Dome and O-ring..... LRP-95-249

Accessories

- Air Line Oil (4 Gal. Case) F442005
- Force Fill Adapter..... LRP-96-420
- Manual Drain, Brass Petcock..... GRP-95-182
- Tamper Resistant Kit..... LRP-95-587



Ordering Information

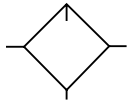
Model Type	Port Size	Polycarbonate Bowl / Bowl Guard
EconOmist™	1-1/4	L42-0A-000
	1-1/2	L42-0B-000

Options - To order an option supplied with the unit model, add the appropriate coded suffix letter in the designated position of the model number.

Lubricator

L50 EconOmist™

= "Most Popular"



L50-0C-000

Features

- Full View Sight Dome
- Siphon Tube Filter Provides Clean Lubricant Downstream
- Quick-Disconnect Clamp Ring for Easy Bowl Removal
- Adjustable Oil Feed
- Standard Transparent Bowl with Metal Bowl Guard
- Can be Filled while Under Pressure

Specifications

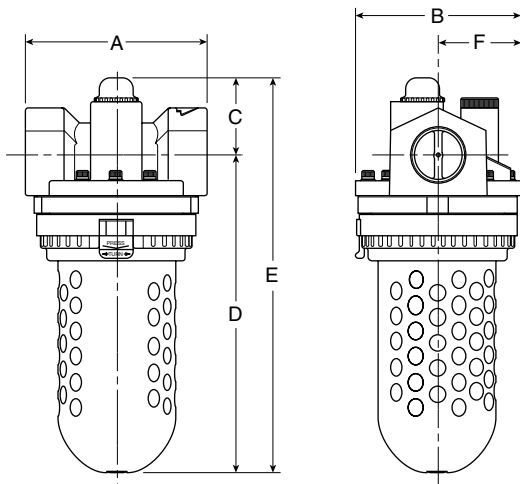
Flow Capacity*	2	1186 SCFM (560 dm ³ /s)
Maximum Supply Pressure	Plastic Bowl	150 PSIG (10.3 bar)
	Metal Bowl	200 PSIG (13.8 bar)
Operating Temperature	Plastic Bowl	32° to 125°F (0° to 52°C)
	Metal Bowl	32° to 150°F (0° to 65,5°C)
Port Size	NPT / BSPP-G 2	
Useful Retention**	oz. (cm ³)	26 (769)
Weight	lb. (kg)	10.2 (4.6)

* Inlet pressure 120 PSIG (8.3 bar). Pressure drop 5 PSID (0.3 bar).

** Useful retention refers to usable volume.

Materials of Construction

Body	Zinc	
Bowls	Plastic Bowl	Polycarbonate
	Metal Bowl	Aluminum
Seals	Plastic Bowl	Nitrile
	Metal Bowl	Fluorocarbon
Sight Dome	Nylon	
Sight Gauge	Metal Bowl	Tempered Safety Glass
Suggested Lubricant	Airline Oil F442001	



Dimensions

Models	Inches (mm)	A	B	C	D	E	F
Standard Unit L50-0C-000		5.50 (140)	5.00 (127)	2.60 (66)	9.64 (245)	12.24 (311)	2.41 (61.2)

= "Most Popular"

Replacement Bowl Kits

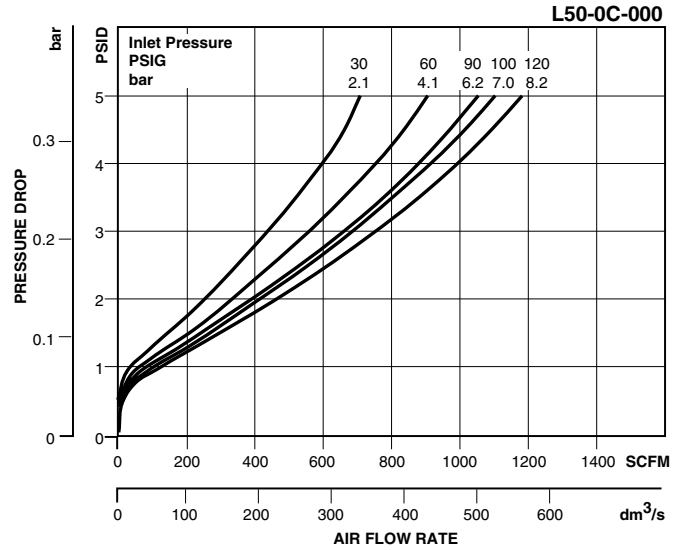
- Metal Bowl / Sight Gauge, Brass Petcock Drain.... GRP-95-676
- Plastic Bowl –
 - Plastic Petcock Drain..... LRP-96-160
 - Guard, Plastic Petcock Drain LRP-95-830
 - No Drain Port..... LRP-96-940

Replacement Kits

- Fill Plug Kit – Fill Plug and O-ring LRP-95-250
- Flow Guide LRP-95-252
- Sight Dome Kit – Sight Dome and O-ring..... LRP-95-249
- Tube, Siphon – Tube and Bronze Filter..... LRP-96-182

Accessories

- Air Line Oil (1 Qt.)..... F442001
- Air Line Oil (1 Gal.)..... F442002
- Force Fill Adapter..... LRP-96-420
- Manual Drain –
 - Brass Petcock..... GRP-95-182
 - Plastic Petcock LRP-95-181
- Tamper Resistant Kit..... LRP-95-587



Ordering Information

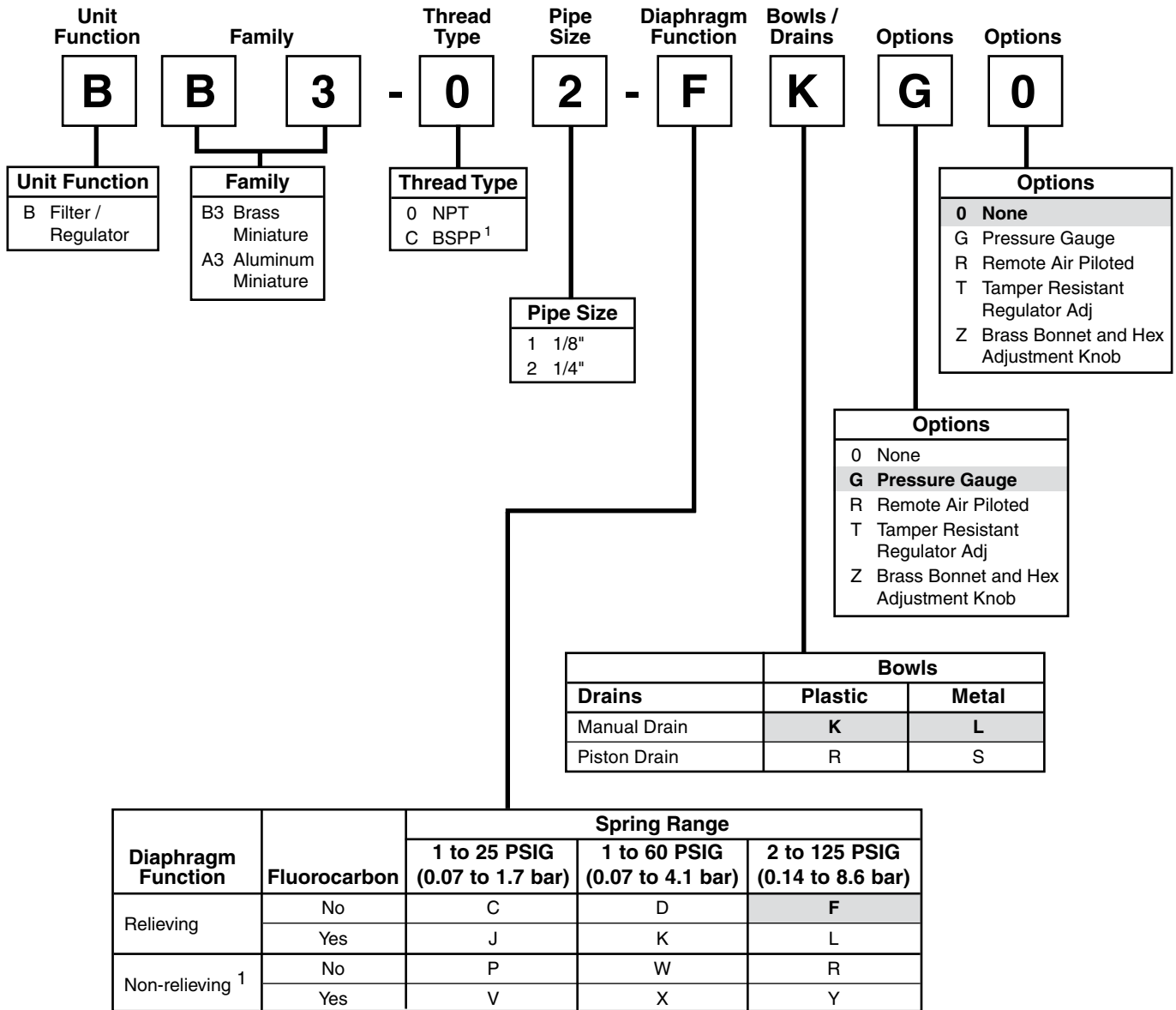
Model Type	Port Size	Polycarbonate Bowl / Bowl Guard	Metal Bowl / Sight Gauge
EconOmist™	2	L50-0C-000	L50-0C-G00

Options - To order an option supplied with the unit model, add the appropriate coded suffix letter in the designated position of the model number.



BB3 / BA3 Series Filter / Regulator Numbering System

 = "Most Popular"



NOTE: Standard pressure adjustment is plastic "snap lock" knob and plastic bonnet with plastic panel mount nut.

¹ ISO, R228 (G Series)

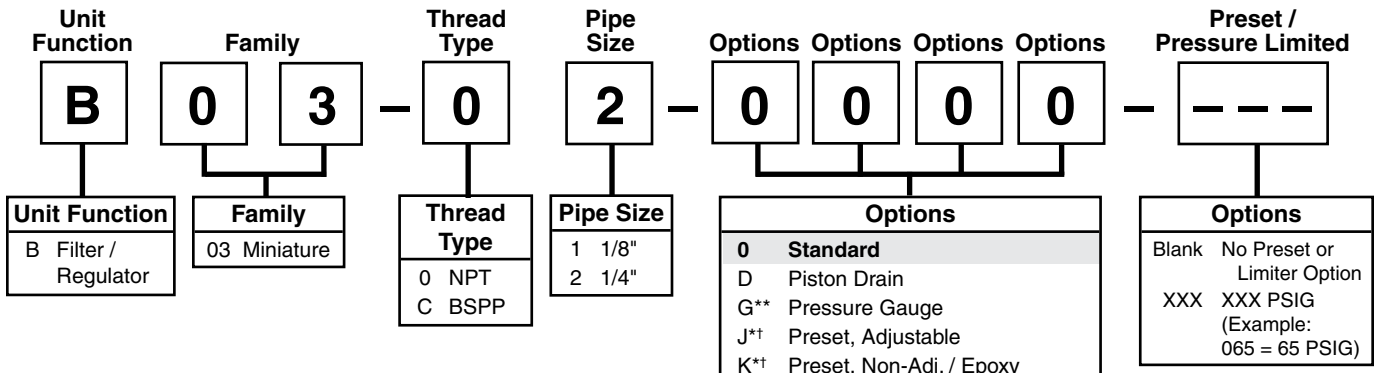
Type "A" 5 micron elements: All Wilkerson Type "A" 5 micron elements meet or exceed ISO Class 3 for maximum particle size and concentration of solid contaminants.

Note: When selecting from the options columns, please enter letters in alphabetical order for positions 8 and 9. For example:

NOTE: All classes above refer to International Standards Organization (ISO) standard 8573-1, pertaining to maximum particle size and concentration of solid contaminants, and maximum oil content.

BB3-02-F K G T

Filter / Regulator Numbering System = "Most Popular"

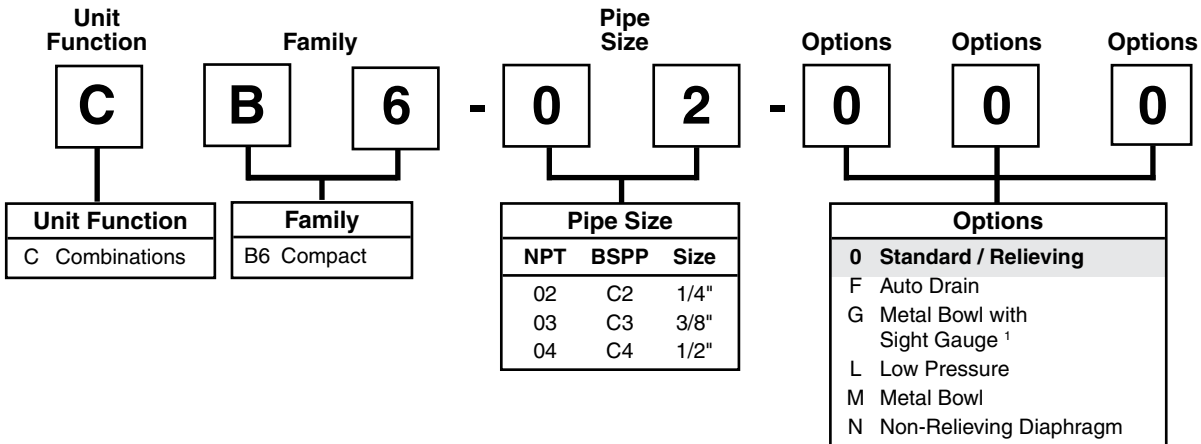


Note: When selecting from the options columns, please enter letters in alphabetical order for positions 6, 7, 8 and 9.
For example: **B 0 3 - 0 1 - D M 0 0**

NOTE: 0000 in position 6, 7, 8 and 9 signifies standard product.
(Poly Bowl, Manual Drain, 2 to 125 PSIG, Relieving)

Spring Type by Preset / Limited Pressure:
For Preset / Limited Pressure 10 to 25 use 30 PSI Spring
For Preset / Limited Pressure 26 to 50 use 60 PSI Spring
For Preset / Limited Pressure 51 to 90 use 125 PSI Spring

* Inlet pressure is 100 PSIG.
For other pressures, consult factory.
** Not available with BSPP thread type.
† Must specify preset or limited pressure.



¹ For miniature family units, G option is a pressure gauge. For compact, G option is a metal bowl with sight gauge.

Note: When selecting from the options columns, please enter letters in alphabetical order for positions 6, 7, and 8.
For example:

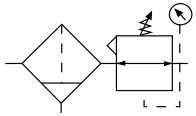
"F" Series Filters, Type "A" 5 micron elements:
All Wilkerson Type "A" 5 micron elements meet or exceed ISO Class 3 for maximum particle size and concentration of solid contaminants.

CB6-02-0 0 0
Note: 000 in positions 6, 7 and 8 signifies standard product.

NOTE: All classes above refer to International Standards Organization (ISO) standard 8573-1, pertaining to maximum particle size and concentration of solid contaminants, and maximum oil content.

Miniature Filter / Regulator BB3 Brass BA3 Aluminum

= "Most Popular"



BB3-02-FK00

Features

- Brass Construction Handles Most Corrosive Environments
- Large Diaphragm to Valve Area Ratio for Precise Regulation and High Flow Capacity
- Plastic Bowl or Black Painted Zinc Metal Bowl
- High Flow: 1/4" -16 SCFM¹
- Fluorocarbon Seals Optional

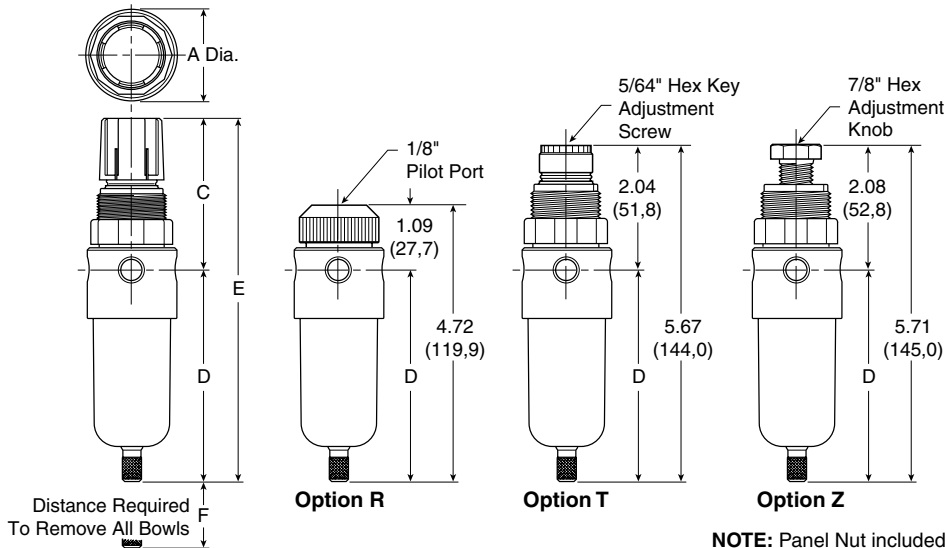
Specifications

Flow Capacity*	1/4	16 SCFM (7.6 dm ³ /s)
Maximum Supply Pressure		300 PSIG (20.7 bar)
Operating Temperature		40°F to 125°F (4.4°C to 51.7°C)
Port Size	NPT / BSPP-G	1/8, 1/4
Standard Filtration	Micron	5
Useful Retention**	oz. (cm ³)	0.4 (11.8)
Weight	lb. (kg)	0.8 (0.36)

* Inlet pressure 100 PSIG (6.4 bar). Secondary pressure 75 PSIG (5.2 bar).
** Useful retention refers to volume below the quiet zone baffle.

Materials of Construction

Body	Brass	
Bowls	Polycarbonate or Zinc - Painted Black	
Manual Drain	Brass	
Diaphragm and Seals	Nitrile	
Element Holder / Deflector / Bonnet	Acetal	
Filter Elements	Type A	Polyethylene
Knob	Acetal	
Springs	Plated Steel	
Valve Assembly and Bottom Plug	Brass	



NOTE: Panel Nut included, but not shown on dimensional drawing.
NOTE: 1.19" dia. (30,2) mm hole required for panel mounting.

Dimensions

Model	Inches (mm)	A	C	D	E	F
Standard Unit - Brass Body BB3-02-XXXX		1.56 (40)	2.63 (67)	3.63 (92)	6.25 (159)	1.58 (40)
Standard Unit - Aluminum Body BA3-02-XXXX		1.56 (40)	2.63 (67)	3.63 (92)	6.25 (159)	1.58 (40)

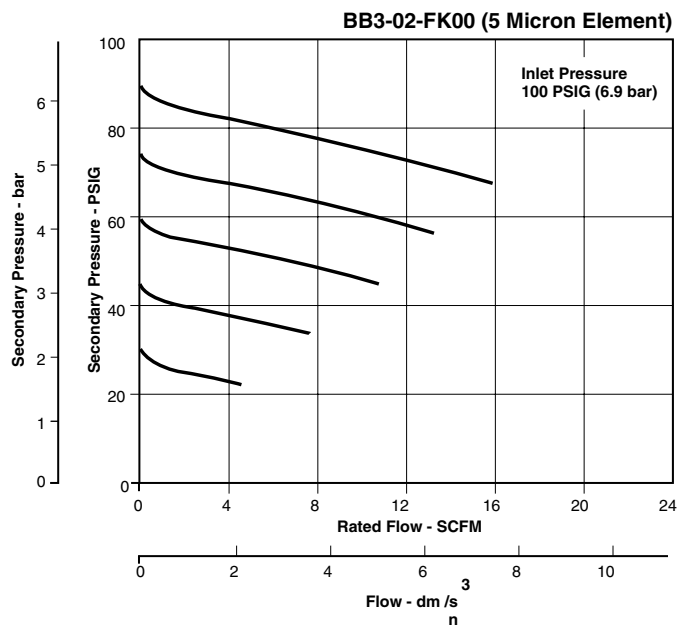
Replacement Element and Repair Kits

- 5 Micron ElementFRP-96-806
- Bonnet, Knob, Adjusting Screw Kit RRP-96-821
- Bonnet, Tamper Resistant Adjustment Kit RRP-96-822
- Diaphragm and Valve Repair Kit –
 - RelievingRRP-96-819
 - Non-Relieving RRP-96-820
- Plastic Bowl –
 - No Guard, Manual Twist Drain GRP-96-808
 - No Guard, Piston Drain GRP-96-809
- Metal Bowl –
 - Manual Twist Drain GRP-96-810
 - Piston DrainGRP-96-811

Accessories

- Gauge, Pressure –
 - 0 to 60 PSI (0 to 4.1 bar), 1-1/2" Dial Face, 1/8" NPT K4515N18060
 - 0 to 160 PSI (0 to 11.0 bar), 1-1/2" Dial Face, 1/8" NPT, CBM K4515N18160
- Manual Drain..... GRP-96-812
- Piston Type Drain..... GRP-96-813
- Panel Mount Nut –
 - Aluminum.....RPA-96-733
 - Plastic RPA-96-734
- Wall Mounting Bracket –
 - L-TypeGRP-95-147
 - L-Type with Plastic Panel Mount NutGRP-95-747

= "Most Popular"



⚠ WARNING

**Product rupture can cause serious injury.
Do not connect regulator to bottled gas.
Do not exceed maximum primary pressure rating.**

CAUTION:

REGULATOR PRESSURE ADJUSTMENT – The working range of knob adjustment is designed to permit outlet pressures within their full range. Pressure adjustment beyond this range is also possible because the knob is not a limiting device. This is a common characteristic of most industrial regulators, and limiting devices may be obtained only by special design.

For best performance, regulated pressure should always be set by increasing the pressure up to the desired setting.

Ordering Information

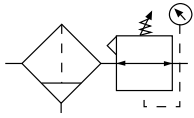
Model Type	Port Size	Relieving 2 to 125 PSI (0.14 to 8.6 bar) No Bowl Guard	Relieving 1 to 60 PSI (0.07 to 4.1 bar) No Bowl Guard	Relieving 1 to 25 PSI (0.07 to 1.7 bar) No Bowl Guard	Relieving 2 to 125 PSI (0.14 to 8.6 bar) Metal Bowl	Relieving 1 to 60 PSI (0.07 to 4.1 bar) Metal Bowl	Relieving 1 to 25 PSI (0.07 to 1.7 bar) Metal Bowl
Manual Drain	1/8"	BB3-01-FK00	BB3-01-DK00	BB3-01-CK00	BB3-01-FL00	BB3-01-DL00	BB3-01-CL00
	1/4"	BB3-02-FK00	BB3-02-DK00	BB3-02-CK00	BB3-02-FL00	BB3-02-DL00	BB3-02-CL00
Piston Drain	1/8"	BB3-01-FR00	BB3-01-DR00	BB3-01-CR00	BB3-01-FS00	BB3-01-DS00	BB3-01-CS00
	1/4"	BB3-02-FR00	BB3-02-DR00	BB3-02-CR00	BB3-02-FS00	BB3-02-DS00	BB3-02-CS00
Manual Drain	1/8"	BA3-01-FK00	BA3-01-DK00	BA3-01-CK00	BA3-01-FL00	BA3-01-DL00	BA3-01-CL00
	1/4"	BA3-02-FK00	BA3-02-DK00	BA3-02-CK00	BA3-02-FL00	BA3-02-DL00	BA3-02-CL00
Piston Drain	1/8"	BA3-01-FR00	BA3-01-DR00	BA3-01-CR00	BA3-01-FS00	BA3-01-DS00	BA3-01-CS00
	1/4"	BA3-02-FR00	BA3-02-DR00	BA3-02-CR00	BA3-02-FS00	BA3-02-DS00	BA3-02-CS00

Options - To order an option supplied with the unit model, add the appropriate coded suffix letter in the designated position of the model number.



Filter / Regulator B03

= "Most Popular"



B03-02-0000

Features

- Excellent Water Removal Efficiency
- Unbalanced Poppet Standard
- Solid Control Piston for Extended Life
- Space Saving Package offers both Filter and Regulator features in One Integral Unit
- Non-rising Adjustment Knob
- Two Full Flow 1/8" Gauge Ports

⚠ WARNING

**Product rupture can cause serious injury.
Do not connect regulator to bottled gas.
Do not exceed maximum primary pressure rating.**

Specifications

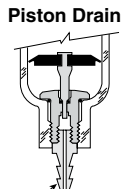
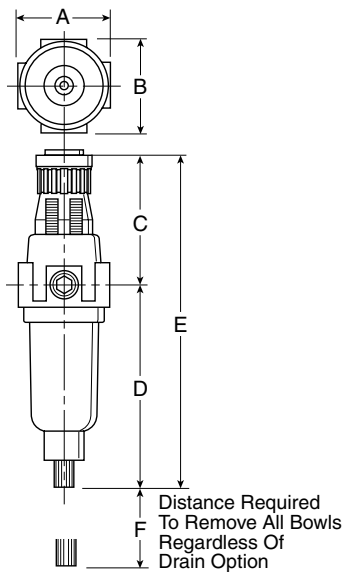
Flow Capacity*	1/4	16 SCFM (7.5 dm ³ /s)
	3/8	18 SCFM (8.5 dm ³ /s)
Gauge Ports (2)	1/8 Inch	
Port Threads	1/8, 1/4 Inch	
Pressure & Temperature Ratings –		
Plastic Bowl	0 to 150 PSIG (0 to 10.4 bar) 32°F to 125°F (0°C to 52°C)	
Metal Bowl	0 to 250 PSIG (0 to 17.3 bar) 32°F to 175°F (0°C to 80°C)	
Secondary Pressure Ranges –		
Standard Pressure	2 to 125 PSIG (0 to 8.6 bar)	
Medium Pressure	1 to 60 PSIG (0 to 4.1 bar)	
Medium Pressure	1 to 30 PSIG (0 to 2.1 bar)	
Low Pressure	1 to 15 PSIG (0 to 1.0 bar)	
Weight	.4 lb. (.18 kg)	
Bowl Capacity	1 Ounce	

* Inlet pressure 100 PSIG (6.9 bar). Secondary pressure 90 PSIG (6.2 bar). and 10 PSIG pressure drop.

Materials of Construction

Adjusting Nut	Brass
Adjusting Stem & Spring	Steel
Body	Zinc
Bonnet, Knob, Seat, Piston, Holder & Deflector	Plastic
Bowls – Transparent	Polycarbonate
Metal (Without Sight Gauge)	Zinc
Filter Elements – 5 Micron (Standard)	Plastic
Manual Drain –	
Body & Stem	Plastic
Seals	Nitrile
Piston Drain –	
Piston & Seals	Nitrile
Stem, Seat, Adaptor & Washers	Aluminum
Seals	Nitrile

NOTE: 1.218 Dia. (31mm) hole required for panel mounting.



Accepts 1/8" Tubing

Dimensions

Model	Inches (mm)	A	B	C	D	D [†]	E	E [†]	F
Standard Unit B03-XX-XXXX		1.62 (41)	1.58 (40)	2.42 (61)	3.79 (96)	3.64 (92)	6.21 (158)	6.06 (154)	1.60 (41)

[†] With Piston Drain

= "Most Popular"

Replacement Kits

- Poly Bowl –
 - Piston Drain PS408B
 - Manual Drain PS404
- Metal Bowl –
 - Piston Drain PS451B
 - Manual Drain PS447B
- Filter Element Kit, 5 Micron PS403

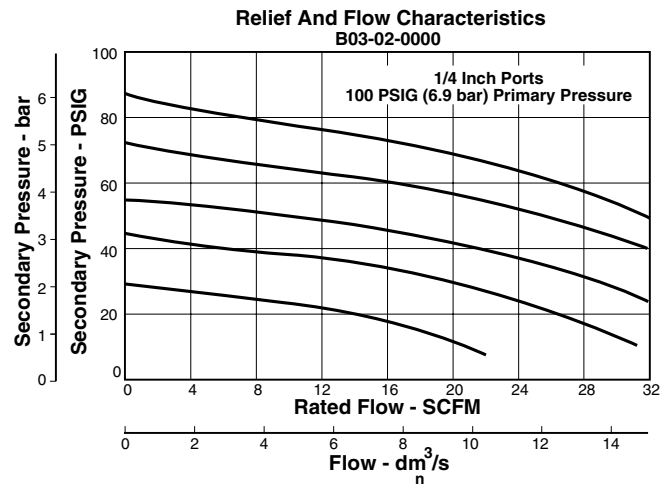
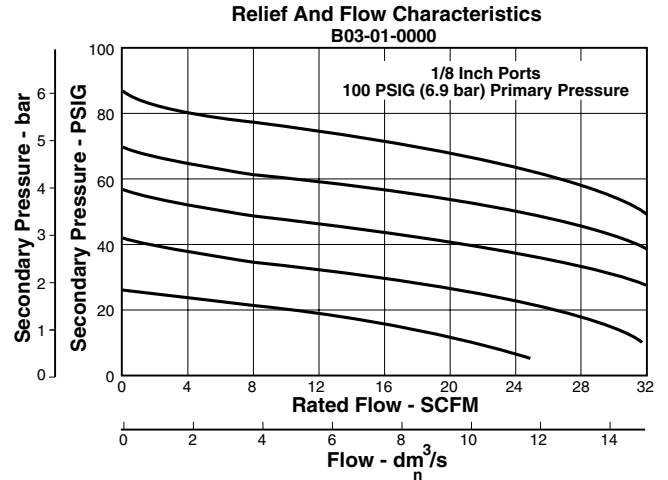
Accessories

- Gauges –
 - 30 PSIG (0 to 2.1 bar) K4515N18030
 - 60 PSIG (0 to 4.1 bar) K4515N18060
 - 160 PSIG (0 to 11.0 bar) K4515N18160
- Mounting Bracket Kit (Includes Panel Mount Nut) PS417B
- Panel Mount Nut –
 - Plastic P78652
 - Metal P01531
- Poppet Valve Kit PS424B
- Service Kits –
 - Non-Relieving PS422
 - Relieving PS423
- Springs –
 - 1 to 15 PSIG Range P01176
 - 1 to 30 PSIG Range P01175
 - 1 to 60 PSIG Range P01174
 - 2 to 125 PSIG Range P01173

CAUTION:

REGULATOR PRESSURE ADJUSTMENT – The working range of knob adjustment is designed to permit outlet pressures within their full range. Pressure adjustment beyond this range is also possible because the knob is not a limiting device. This is a common characteristic of most industrial regulators, and limiting devices may be obtained only by special design.

For best performance, regulated pressure should always be set by increasing the pressure up to the desired setting.



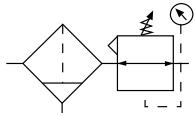
Ordering Information

Model Type	Port Size	Plastic Bowl	Metal Bowl
Manual Drain	1/8	B03-01-0000	B03-01-M000
	1/4	B03-02-0000	B03-02-M000

Options - To order an option supplied with the unit model, add the appropriate coded suffix letter in the designated position of the model number.



Filter / Regulator CB6



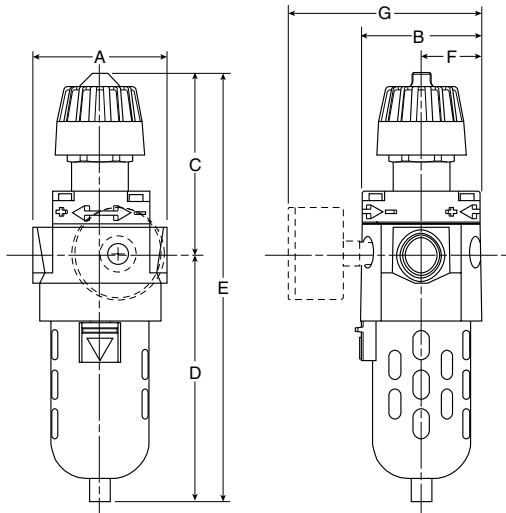
CB6-02-000

Features

- 5 Micron Filtration
- Balanced Valve
- Manual Flex Drain
- Integral Plastic Bowl / Bowl Guard
- Quick-Disconnect Bowl

WARNING

**Product rupture can cause serious injury.
Do not connect regulator to bottled gas.
Do not exceed maximum primary pressure rating.**



NOTE: 1.31" Dia. (33.3 mm) hole required for panel nut mounting.

Dimensions

Models	Inches (mm)	A	B	C	D	E	F	G
Standard Unit CB6-XX-000		3.00 (76)	2.64 (67)	3.95 (100)	5.43 (137.9)	9.38 (238)	1.34 (34)	4.18 (106)
Automatic Drain CB6-XX-F00		3.00 (76)	2.64 (67)	3.95 (100)	5.55 (140.9)	9.50 (241)	1.34 (34)	4.18 (106)
Metal Bowl CB6-XX-M00		3.00 (76)	2.64 (67)	3.95 (100)	6.05 (153.7)	10.00 (254)	1.34 (34)	4.18 (106)
Metal Bowl with Sight Gauge CB6-XX-G00		3.00 (76)	2.64 (67)	3.95 (100)	6.15 (156)	10.10 (256.5)	1.34 (34)	4.18 (106)

= "Most Popular"

Specifications

Flow Capacity*	1/4	64.0 SCFM (30.2 dm ³ /s)
	3/8	70.0 SCFM (33.0 dm ³ /s)
	1/2	70.0 SCFM (33.0 dm ³ /s)
Adjusting Range Pressure	0 to 50 PSIG (0 to 3.5 bar)	
	0 to 125 PSIG (0 to 8.6 bar)	
Gauge Port (2 ea.)	NPT / BSPT-Rc	1/4
Maximum Supply Pressure	Plastic Bowl	150 PSIG (10.3 bar)
	Metal Bowl	200 PSIG (13.8 bar)
Operating Temperature	Plastic Bowl	32° to 125°F (0° to 52°C)
	Metal Bowl	32° to 150°F (0° to 65.5°C)
Port Size	NPT / BSPP-G	1/4, 3/8, 1/2
Standard Filtration	Micron	5
Useful Retention**	oz. (cm ³)	2.7 (80.8)
Weight	lb. (kg)	2.4 (1.1)

* Inlet pressure 100 PSIG (6.9 bar). Secondary pressure 90 PSIG (6.2 bar).

** Useful retention refers to volume below the quiet zone baffle.

"F" Series Filters, Type "A" 5 Micron Elements: All Wilkerson Type "A" 5 micron elements **meet or exceed ISO Class 3** for maximum particle size and concentration of solid contaminants.

Materials of Construction

Body		Zinc
Bonnet, Knob		PBT
Bowls	Plastic Bowl	Polycarbonate
	Metal Bowl	Zinc
Diaphragm		Nitrile / Zinc
Filter Element		Polyethylene
Panel Nut		Acetal
Seals	Plastic Bowl	Nitrile
	Metal Bowl	Fluorocarbon
Stem, Element Retainer and Deflector		Acetal
Springs		Steel
Valve Assembly		Brass / Nitrile

CAUTION:

REGULATOR PRESSURE ADJUSTMENT – The working range of knob adjustment is designed to permit outlet pressures within their full range. Pressure adjustment beyond this range is also possible because the knob is not a limiting device. This is a common characteristic of most industrial regulators, and limiting devices may be obtained only by special design.

For best performance, regulated pressure should always be set by increasing the pressure up to the desired setting.

= "Most Popular"

Replacement Bowl Kits

- Metal Bowl –
 - Automatic Float DrainFRP-95-950
 - Brass Petcock DrainFRP-95-178
- Metal Bowl / Sight Gauge, Brass Petcock Drain.....GRP-95-133
- Plastic Bowl, Flex Tip DrainFRP-95-017
- Plastic Bowl / Bowl Guard –
 - Automatic Float DrainFRP-95-015
 - Flex Top DrainFRP-95-014

Replacement Element Kits

- Type "A", 5 Micron w/ Nitrile Bowl O-Ring.....FRP-95-160

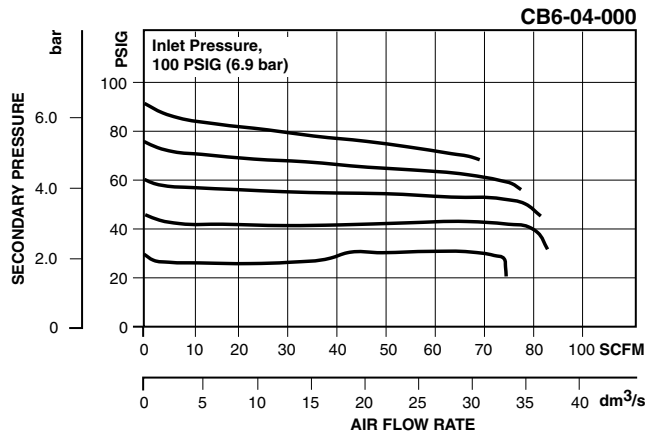
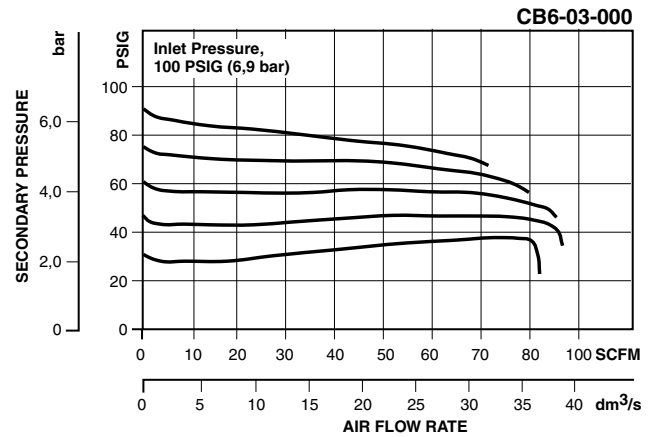
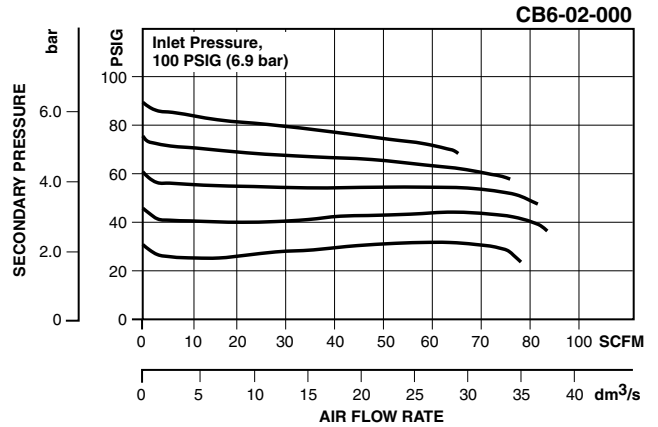
Replacement Kits

- Diaphragm Assembly –
 - Non-relievingRRP-96-216
 - Self-relieving.....RRP-96-213
- Spring, Regulating –
 - 0 to 50 PSIG (0 to 3.4 bar) Blue Color.....RRP-95-222
 - 0 to 125 PSIG (0 to 8.5 bar) Silver Color.....RRP-95-224

Accessories

- Automatic Mech. Drain, 1/8 NPT –
 - FluorocarbonGRP-95-981
 - Nitrile.....GRP-95-973
- Manual Flex Tip Drain.....FRP-95-610
- Wall Mounting Bracket –
 - Gauge Port Adapter, 1/4 NPT.....RRP-95-590
 - L-typeGPA-95-012
- Drain, Manual Override for
 - Auto Float Drain, 1/8 NPTGRP-96-000
- Gauge, Pressure, 2-Dial Face, 1/4 NPT CBM –
 - 0 to 60 PSIG (0 to 4.1 bar).....K4520N14060
 - 0 to 160 PSIG (0 to 11.0 bar)K4520N14160
 - 0 to 300 PSIG (0 to 21 bar).....K4520N14300
- Panel Nut, Plastic.....GPA-95-032
- Tamper Resistant Kit.....RPA-95-006

NOTE: Gauge not included, order separately by accessory number.



Ordering Information

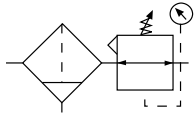
Model Type	Port Size	Plastic Bowl / Bowl Guard 0 to 125 PSIG (0 to 8.6 bar)	Metal Bowl 0 to 125 PSIG (0 to 8.6 bar)	Metal Bowl w/ Sight Gauge 0 to 125 PSIG (0 to 8.6 bar)	Metal Bowl Low Pressure 0 to 50 PSIG (0 to 3.4 bar)
Manual Drain	1/4	CB6-02-000	CB6-02-M00	CB6-02-G00	CB6-02-LM0
	3/8	CB6-03-000	CB6-03-M00	CB6-03-G00	CB6-03-LM0
	1/2	CB6-04-000	CB6-04-M00	CB6-04-G00	CB6-04-LM0
Automatic Drain	1/4	CB6-02-F00	CB6-02-FM0	CB6-02-FG0	CB6-02-FLM
	3/8	CB6-03-F00	CB6-03-FM0	CB6-03-FG0	CB6-03-FLM
	1/2	CB6-04-F00	CB6-04-FM0	CB6-04-FG0	CB6-04-FLM

Options - To order an option supplied with the unit model, add the appropriate coded suffix letter in the designated position of the model number.



Precision Filter / Regulator

PC5 / PC6



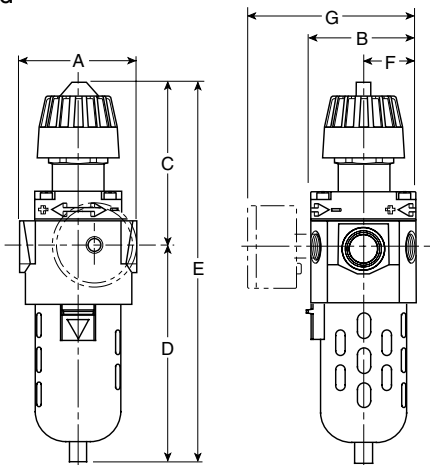
Precision Filter / Regulator

The PC5 / PC6 models are general purpose regulators specifically designed for applications that require reliable performance and accurate pressure control.

PC5 / PC6-02-000

Features

- **Stable Output** – Aspirator Design Minimizes “Droop” at Higher Flow Levels
- **Accuracy** – High Diaphragm-to-Valve-Area Ratio Combined with Unbalanced Valve Provides High Precision with Minimal Initial Pressure Droop
- **Quality Air** – 5 Micron Filtration for Superior Protection of Critical Downstream Equipment
- **Easy Maintenance** – May be Disassembled and Serviced without Removal from Air Line
- **Competitive** – Compact, Integral Filter / Regulator Can be Used Where Limited Space or Lower Cost is Required



NOTE: 1.31" Dia. (33.3 mm) hole required for panel nut mounting.

Dimensions

Models	Inches (mm)	A	B	C	D	E	F	G
Standard Unit PC5-XX-000 / PC6-XX-000		3.00 (76)	2.64 (67)	3.95 (100)	5.43 (137.9)	9.38 (238)	1.34 (34)	4.18 (106)
Automatic Drain PC5-XX-F00 / PC6-XX-F00		3.00 (76)	2.64 (67)	3.95 (100)	5.55 (140.9)	9.50 (241)	1.34 (34)	4.18 (106)
Metal Bowl PC5-XX-M00 / PC6-XX-M00		3.00 (76)	2.64 (67)	3.95 (100)	6.05 (153.7)	10.00 (254)	1.34 (34)	4.18 (106)
Automatic Drain PC5-XX-G00 / PC6-XX-G00		3.00 (76)	2.64 (67)	3.95 (100)	6.15 (156)	10.10 (256.5)	1.34 (34)	4.18 (106)

= “Most Popular”

Specifications

Flow Capacity*	PC5	28.0 SCFM (13.2 dm ³ /s)
	PC6	19.0 SCFM (9.0 dm ³ /s)
Gauge Port (2 ea.)	NPT / BSPT-Rc	1/4
Maximum Supply Pressure	Plastic Bowl	150 PSIG (10.3 bar)
	Metal Bowl	200 PSIG (13.8 bar)
Port Size	NPT / BSPP-G	1/4, 3/8, 1/2
Operating Temperature	Plastic Bowl	32° to 125°F (0° to 52°C)
	Metal Bowl	32° to 150°F (0° to 65.5°C)
Weight	lb. (kg)	2.4 (1,1)

* Inlet pressure 100 PSIG (6.9 bar). Secondary pressure PC5, 15 PSIG (1.0 bar); PC6, 45 PSIG (3.1 bar).

“F” Series Filters, Type “A” 5 micron elements: All Wilkerson Type “A” 5 micron elements meet or exceed ISO Class 3 for maximum particle size and concentration of solid contaminants.

Materials of Construction

Body	Zinc	
Bonnet, Knob	PBT	
Bowls	Plastic Bowl	Polycarbonate
	Metal Bowl	Zinc
Diaphragm	Nitrile / Zinc	
Filter Element	Polypropylene	
Panel Nut	Acetal	
Seals	Plastic Bowl	Nitrile
	Metal Bowl	Fluorocarbon
Springs	Steel	
Stem, Element Retainer and Deflector	Acetal	
Valve Assembly	Brass / Nitrile	

WARNING

**Product rupture can cause serious injury.
Do not connect regulator to bottled gas.
Do not exceed maximum primary pressure rating.**

CAUTION:

REGULATOR PRESSURE ADJUSTMENT – The working range of knob adjustment is designed to permit outlet pressures within their full range. Pressure adjustment beyond this range is also possible because the knob is not a limiting device. This is a common characteristic of most industrial regulators, and limiting devices may be obtained only by special design.

For best performance, regulated pressure should always be set by increasing the pressure up to the desired setting.

= "Most Popular"

Replacement Bowl Kits

- Metal Bowl –
 - Automatic Drain PRP-96-006
 - Manual Drain PRP-95-070
- Metal Bowl / Sight Gauge, Brass Petcock Drain..... PRP-95-071
- Plastic Bowl, FlexTip Drain..... FRP-95-017
- Plastic Bowl / Bowl Guard –
 - Automatic Drain FRP-95-015
 - FlexTip Drain..... FRP-95-014

Replacement Element Kits

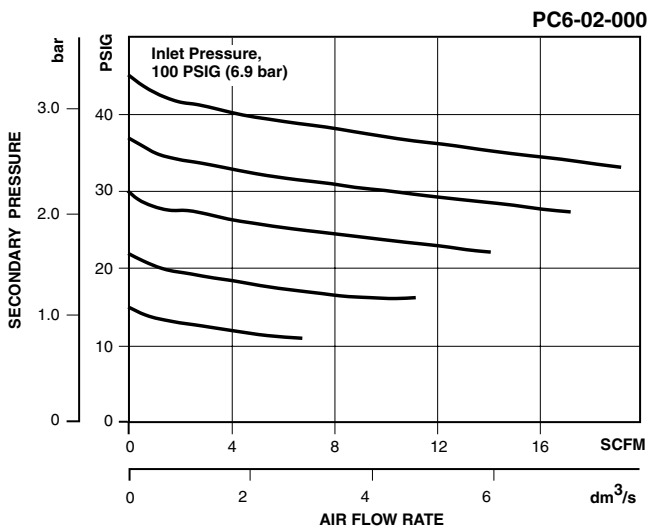
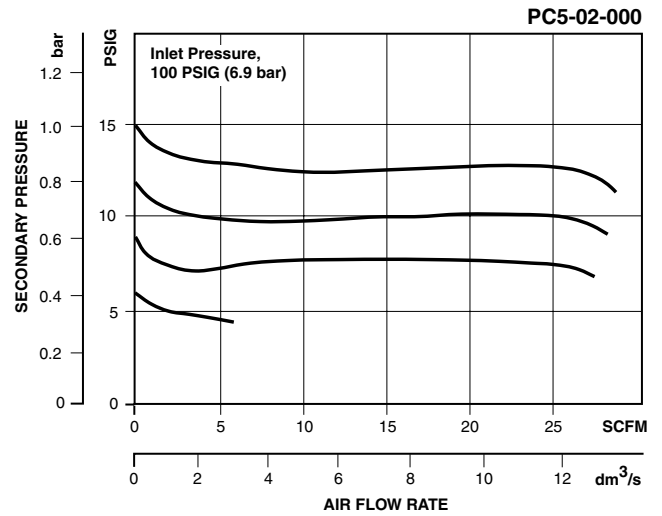
- Type "A", 5 Micron FRP-95-160

Replacement Kits

- Diaphragm Assembly –
 - Self-relieving, Fluorocarbon PRP-95-055
 - Self-relieving, Nitrile PRP-95-025
- Spring, Regulating –
 - 0 to 15 PSIG (1 bar) RRP-95-233
 - 0 to 30 PSIG (2,1 bar) RRP-95-916
 - 0 to 50 PSIG (0 to 3,4 bar) RRP-95-222
 - 0 to 125 PSIG (0 to 8,5 bar) RRP-95-224

Accessories

- Automatic Mechanical Drain
 - 1/8 NPT, Fluorocarbon GRP-95-981
 - 1/8 NPT, Nitrile GRP-95-973
- Drain, Manual Override for
 - Auto Float Drain, 1/8 NPT GRP-96-000
- FlexTip Drain FRP-95-610
- Gauge, Pressure, 2" Dial Face, 1/4 NPT, CBM –
 - 0 to 30 PSIG (0 to 2,1 bar) K4520N18030
 - 0 to 60 PSIG (0 to 4 bar) K4520N14060
 - 0 to 120 PSIG (0 to 8,3 bar) K4520N14160
- Panel Nut, Plastic GPA-95-032
- Tamper Resistant Kit RPA-95-006
- Wall Mounting Bracket –
 - Gauge Port Adapter, 1/4 NPT RRP-95-590
 - L-Type w/Panel Mount Nut GPA-95-011



Ordering Information

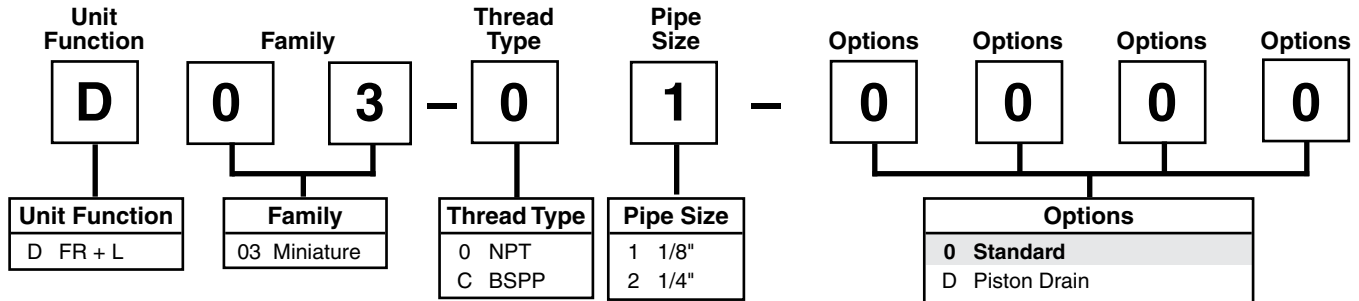
Model Type	Port Size	Standard Unit 0 to 15 PSIG (0 to 1 bar)	Standard Unit 0 to 50 PSIG (0 to 3.4 bar)	Automatic Mechanical Drain	Sight Gauge	High Pressure 0 to 125 PSIG (0 to 8.6 bar)	Low Pressure 0 to 30 PSIG (0 to 2.1 bar)	Metal Bowl	Fluorocarbon Seals
PC5 Relieving	1/4	PC5-02-000	—	—	—	—	—	—	—
	1/2	PC5-04-000	—	—	—	—	—	—	—
	3/8	PC5-03-000	—	—	—	—	—	—	—
PC6 Relieving	1/4	—	PC6-02-000	PC6-02-F00	PC6-02-G00	PC6-02-H00	PC6-02-L00	PC6-02-M00	PC6-02-V00
	3/8	—	PC6-03-000	PC6-03-F00	PC6-03-G00	PC6-03-H00	PC6-03-L00	PC6-03-M00	PC6-03-V00
	1/2	—	PC6-04-000	PC6-04-F00	PC6-04-G00	PC6-04-H00	PC6-04-L00	PC6-04-M00	PC6-04-V00
Non-relieving	1/4	—	PC6-02-N00	PC6-02-FN0	PC6-02-GN0	PC6-02-HN0	PC6-02-LN0	PC6-02-MN0	PC6-02-VN0
	3/8	—	PC6-03-N00	PC6-03-FN0	PC6-03-GN0	PC6-03-HN0	PC6-03-LN0	PC6-03-MN0	PC6-03-VN0
	1/2	—	PC6-04-N00	PC6-04-FN0	PC6-04-GN0	PC6-04-HN0	PC6-04-LN0	PC6-04-MN0	PC6-04-VN0

Options - To order an option supplied with the unit model, add the appropriate coded suffix letter in the designated position of the model number.

E

Filter / Regulator-Lubricator Numbering System

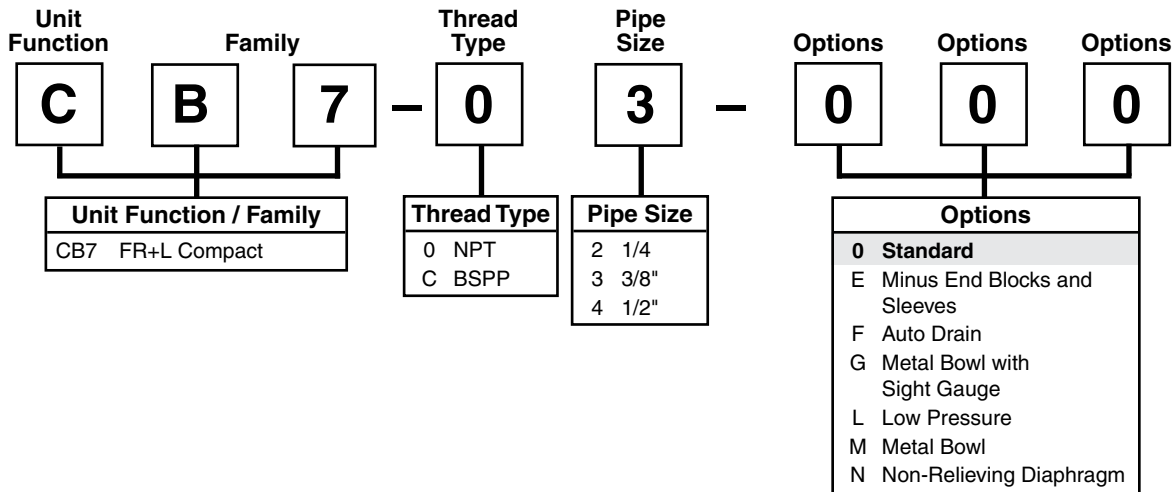
 = "Most Popular"



Note: When selecting from the options columns, please enter letters in alphabetical order for positions 6, 7, 8, and 9.
For example: **M 0 3 - 0 1 - D M 0 0**

NOTE: 0000 in position 6, 7, 8 and 9 signifies standard product.
(Poly Bowl, Manual Drain on Filter, no Drain on Lubricator, 2 to 125 PSIG, Relieving)

* Not available with BSPP thread type.



"F" Series Filters, Type "A" 5 micron elements: All Wilkerson Type "A" 5 micron elements meet or exceed ISO Class 3 for maximum particle size and concentration of solid contaminants.

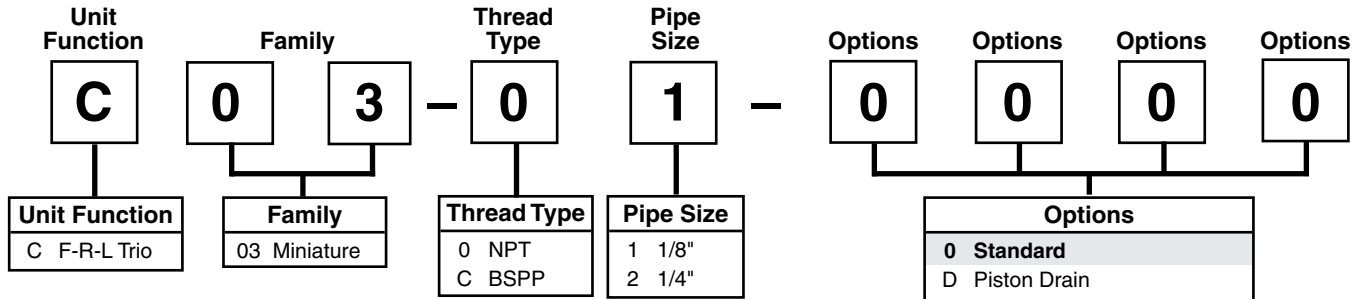
NOTE: When selecting from the options columns, please enter letters in alphabetical order for positions 6, 7, 8.
For example:

Note: All classes above refer to International Standards Organization (ISO) standard 8573-1, pertaining to maximum particle size and concentration of solid contaminants, and maximum oil content.

C B 7 - 0 3 - 0 0 0

Combination Numbering System

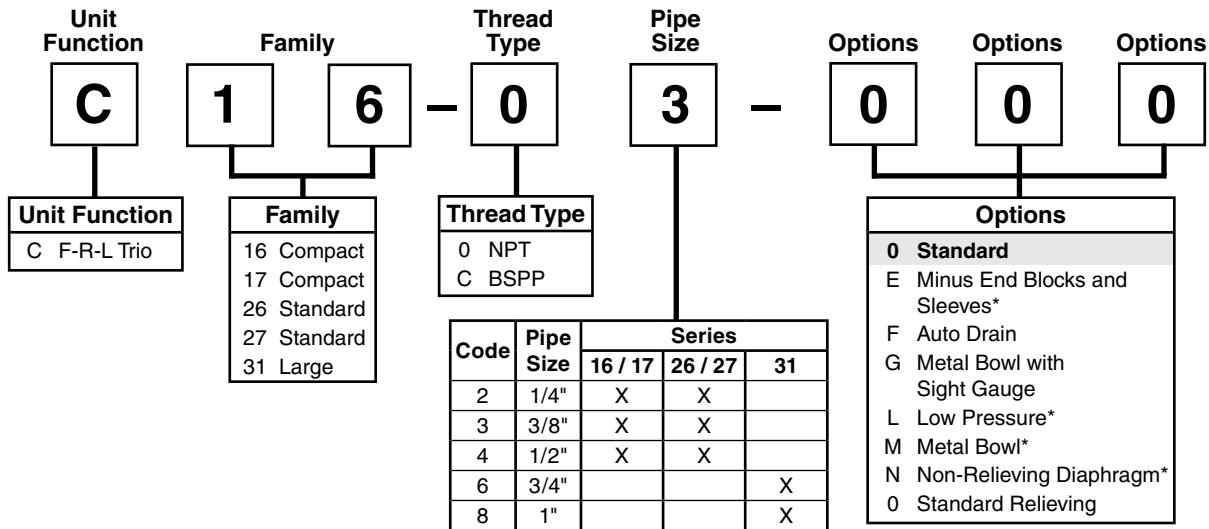
= "Most Popular"



Note: When selecting from the options columns, please enter letters in alphabetical order for positions 6, 7, 8, and 9.
For example: **M 0 3 - 0 1 - D M 0 0**

NOTE: 0000 in position 6, 7, 8 and 9 signifies standard product.
(Poly Bowl, Manual Drain on Filter, no Drain on Lubricator, 2 to 125 PSIG, Relieving)

* Not available with BSPP thread type.



* Not available with C31 Series.

"F" Series Filters, Type "A" 5 micron elements: All Wilkerson Type "A" 5 micron elements meet or exceed ISO Class 3 for maximum particle size and concentration of solid contaminants.

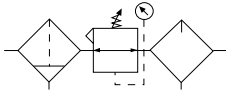
Note: All classes above refer to International Standards Organization (ISO) standard 8573-1, pertaining to maximum particle size and concentration of solid contaminants, and maximum oil content.

NOTE: When selecting from the options columns, please enter letters in alphabetical order for positions 6, 7, 8.
For example:

C 1 6 - 0 3 - 0 0 0

Combination D03

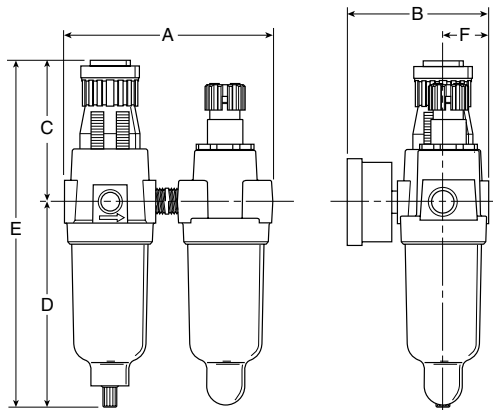
= "Most Popular"



D03-02-0000

Features

- Excellent Water Removal Efficiency
- Unbalanced Poppet Standard
- Solid Control Piston for Extended Life
- Non-rising Adjustment Knob
- Two Full Flow 1/8" Gauge Ports
- Proportional Oil Delivery over a Wide Range of Air Flows
- Precision Needle Valve Assures Repeatable Oil Delivery and Provides Simple Adjustment of Delivery Rate
- Ideal for Low and High flow Applications with Changing Air Flow
- Transparent Sight Dome for 360° Visibility



Specifications

Flow Capacity*	1/8	20 SCFM (9.4 dm ³ /s)
	1/4	20 SCFM (9.4 dm ³ /s)
Gauge Ports (2)	1/8	
Minimum Flow for Lubrication	0.7 SCFM at 100 PSIG	
Port Threads	1/8, 1/4	
Pressure & Temperature Ratings –		
Plastic Bowl	0 to 150 PSIG (0 to 10.4 bar) 32°F to 125°F (0°C to 52°C)	
Metal Bowl	0 to 250 PSIG (0 to 17.3 bar) 32°F to 175°F (0°C to 80°C)	
Secondary Pressure Ranges –		
Standard Pressure	2 to 125 PSIG (0 to 8.6 bar)	
Medium Pressure	1 to 60 PSIG (0 to 4.1 bar)	
Medium Pressure	1 to 30 PSIG (0 to 2.1 bar)	
Low Pressure	1 to 15 PSIG (0 to 1.0 bar)	
Weight	.9 lb. (.36 kg)	
Bowl Capacity	1 Ounce	

* Inlet pressure 100 PSIG (6.9 bar). Secondary pressure 90 PSIG (6.2 bar).

** Useful retention refers to volume below the quiet zone baffle.

"F" Series Filters, Type "A" 5 micron elements: All Wilkerson Type "A" 5 micron elements **meet or exceed ISO Class 3** for maximum particle size and concentration of solid contaminants.

Materials of Construction


Adjusting Nut	Brass
Adjusting Stem & Spring	Steel
Body	Zinc
Bonnet, Knob, Seat, Piston, Holder & Deflector	Plastic
Bowls –	
Transparent	Polycarbonate
Metal (Without Sight Gauge)	Zinc
Filter Elements – 5 Micron (Standard)	Plastic
Manual Drain –	
Body & Stem	Plastic
Seals	Nitrile
Piston Drain –	
Piston & Seals	Nitrile
Stem, Seat, Adaptor & Washers	Aluminum
Seals	Nitrile
Sight Dome	Polycarbonate
Suggested Lubricant	Airline Oil F442001

Dimensions

Model	Inches (mm)	A	B	C	D	E	F
Standard Unit D03-XX-XXXX		3.75 (95)	2.83 (71.9)	2.42 (61)	3.79 (96)	6.21 (158)	.79 (20)

 = "Most Popular"

Note: For Kits and Repair Parts, see individual pages for Filters, Regulators, and Lubricators.

 WARNING
<p>Product rupture can cause serious injury. Do not connect regulator to bottled gas. Do not exceed maximum primary pressure rating.</p>

CAUTION:

REGULATOR PRESSURE ADJUSTMENT – The working range of knob adjustment is designed to permit outlet pressures within their full range. Pressure adjustment beyond this range is also possible because the knob is not a limiting device. This is a common characteristic of most industrial regulators, and limiting devices may be obtained only by special design.

For best performance, regulated pressure should always be set by increasing the pressure up to the desired setting.



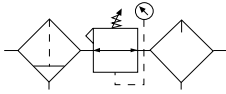
Ordering Information

Model Type	Port Size	Plastic Bowl with Gauge	Metal Bowl with Gauge
Manual Drain	1/8	D03-01-G000	D03-01-GM00
	1/4	D03-02-G000	D03-02-GM00

Options - To order an option supplied with the unit model, add the appropriate coded suffix letter in the designated position of the model number.

Combination CB7

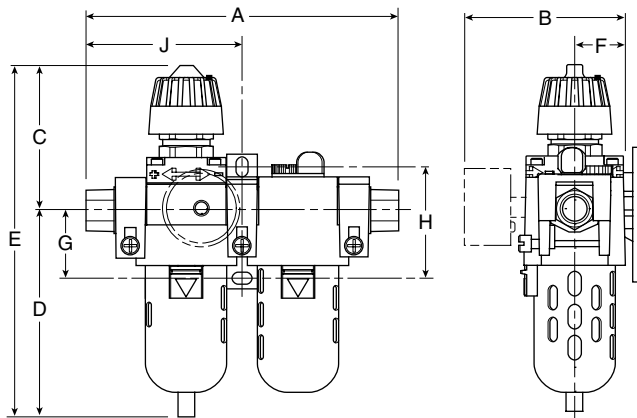
= "Most Popular"



CB7-02-000

Features

- Components Integrated into Single Unit
- Metal Bowl with Sight Gauge Option
- Pressure Gauge Standard
- Integral Plastic Bowl / Bowl Guard
- Quick Disconnect Bowl
- Standard Self-relieving



Specifications

Flow Capacity*	1/4	36.1 SCFM (17.0 dm ³ /s)
	3/8	58.5 SCFM (27.6 dm ³ /s)
	1/2	64.0 SCFM (30.2 dm ³ /s)
Gauge Ports (2)	NPT / BSPP-G	1/4
Port Threads	NPT	1/8, 3/8, 1/2
Pressure & Temperature Ratings –		
Plastic Bowl		0 to 150 PSIG (0 to 10.4 bar) 32°F to 125°F (0°C to 52°C)
Metal Bowl		0 to 200 PSIG (0 to 14 bar) 32°F to 175°F (0°C to 80°C)
Useful Retention**	oz. (cm ³)	Filter 2.7 (80.8)
		Lubricator 5 (147.0)
Weight	5.58 lb. (2.5kg)	

* Inlet pressure 150 PSIG (10.3 bar). Pressure drop 5 PSID (0.3 bar).

** Useful retention refers to volume below the quiet zone baffle.

"F" Series Filters, Type "A" 5 micron elements: All Wilkerson Type "A" 5 micron elements **meet or exceed ISO Class 3** for maximum particle size and concentration of solid contaminants.

Materials of Construction


Body	Zinc
Bonnet, Knob	PBT
Bowls –	
Transparent	Polycarbonate
Metal	Zinc
Diaphragm	Nitrile / Zinc
Drain Stem	Acetal / Polycarbonate
Filter Elements	Polypropylene
Manual Drain –	
Body & Stem	Plastic
Seals	Nitrile
Piston Drain –	
Piston & Seals	Nitrile
Stem, Seat, Adaptor & Washers	Aluminum
Seals –	
Transparent	Nitrile
Metal	Fluorocarbon
Sight Dome	Nylon
Springs	Steel
Stem, Element Retainer and Deflector	Acetal
Suggested Lubricant	Airline Oil F442001

Dimensions

Model	Inches (mm)	A	B	C	D	E	F	G	H	J
Standard Unit With End Blocks CB7-XX-000		8.35 (212)	4.18 (106)	3.95 (44)	5.43 (137.9)	9.38 (238)	1.34 (34)	1.73 (44)	2.98 (75.7)	4.17 (76)
Without End Blocks CB7-XX-E00		6.00 (152)	4.71 (120)	3.95 (44)	5.43 (137.9)	9.38 (238)	1.75 (44)	1.73 (44)	2.98 (75.7)	3.00 (76)

 = "Most Popular"

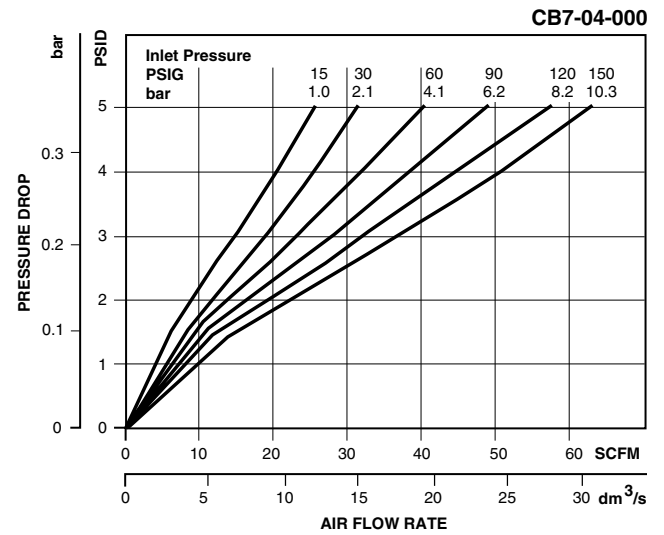
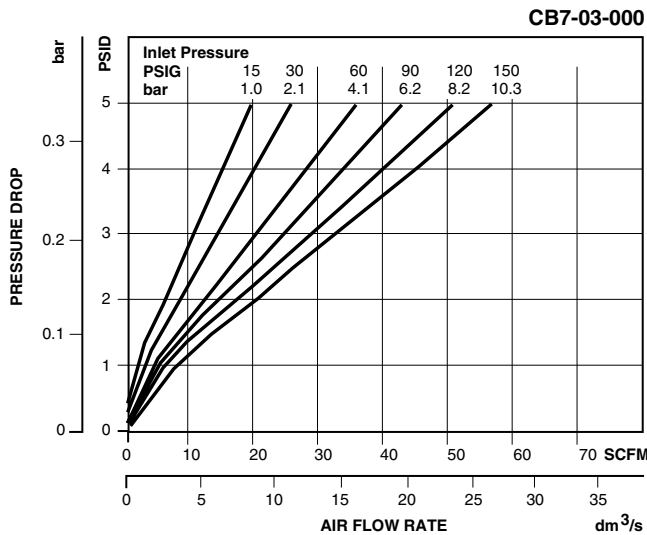
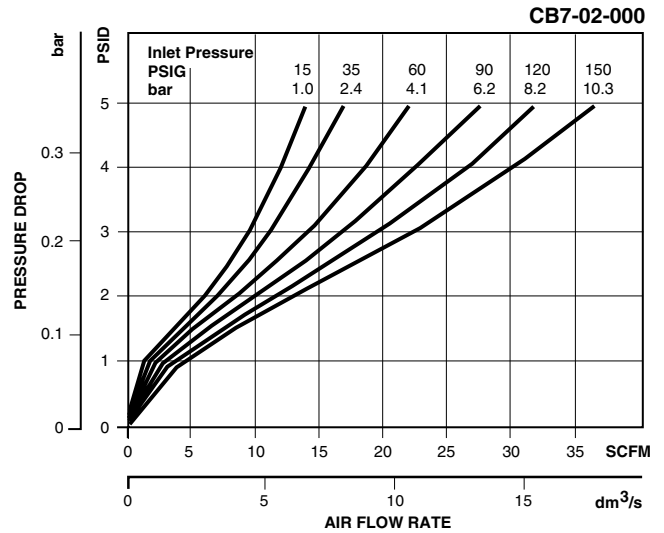
Note: For Kits and Repair Parts, see individual pages for Filters, Regulators, and Lubricators.

 WARNING
Product rupture can cause serious injury. Do not connect regulator to bottled gas. Do not exceed maximum primary pressure rating.

CAUTION:

REGULATOR PRESSURE ADJUSTMENT – The working range of knob adjustment is designed to permit outlet pressures within their full range. Pressure adjustment beyond this range is also possible because the knob is not a limiting device. This is a common characteristic of most industrial regulators, and limiting devices may be obtained only by special design.

For best performance, regulated pressure should always be set by increasing the pressure up to the desired setting.



E

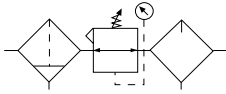
Ordering Information

Model Type	Port Size	Plastic Bowl / Bowl Guard with End Blocks 0 to 125 PSIG (0 to 8.5 bar)	Metal Bowl / Sight Gauge 0 to 125 PSIG (0 to 8.5 bar)	Plastic Bowl / Bowl Guard without End Blocks 0 to 125 PSIG (0 to 8.5 bar)	Automatic Drain 0 to 125 PSIG (0 to 8.5 bar)
CB7	1/4	CB7-02-000	CB7-02-G00	CB7-02-E00	CB7-02-F00
	3/8	CB7-03-000	CB7-03-G00	CB7-03-E00	CB7-03-F00
	1/2	CB7-04-000	CB7-04-G00	CB7-04-E00	CB7-04-F00

Options - To order an option supplied with the unit model, add the appropriate coded suffix letter in the designated position of the model number.

Combination C03

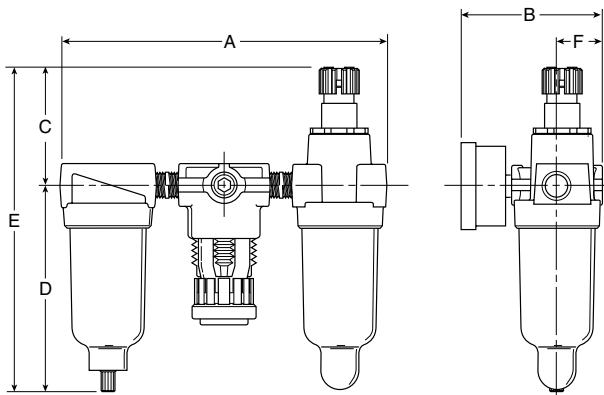
= "Most Popular"



C03-02-0000

Features

- Excellent Water Removal Efficiency
- Unbalanced Poppet Standard
- Solid Control Piston for Extended Life
- Non-rising Adjustment Knob
- Two Full Flow 1/8" Gauge Ports
- Proportional Oil Delivery over a Wide Range of Air Flows
- Precision Needle Valve Assures Repeatable Oil Delivery and Provides Simple Adjustment of Delivery Rate
- Ideal for Low and High flow Applications with Changing Air Flow
- Transparent Sight Dome for 360° Visibility
- Regulator can be mounted with knob in up or down position. (Factory supplied in down position)



Dimensions

Model	Inches (mm)	A	B	C	D	E	F
Standard Unit C03-XX-XXXX		5.77 (147)	2.83 (71.9)	2.16 (55)	3.82 (97)	5.98 (52)	.79 (20)

Specifications

Flow Capacity*	1/8	20 SCFM (9.4 dm ³ /s)
	1/4	20 SCFM (9.4 dm ³ /s)
Gauge Ports (2)	1/8	
Minimum Flow for Lubrication	0.7 SCFM at 100 PSIG	
Port Threads	1/8, 1/4	
Pressure & Temperature Ratings –		
Plastic Bowl	0 to 150 PSIG (0 to 10.4 bar) 32°F to 125°F (0°C to 52°C)	
Metal Bowl	0 to 250 PSIG (0 to 17.3 bar) 32°F to 175°F (0°C to 80°C)	
Secondary Pressure Ranges –		
Standard Pressure	2 to 125 PSIG (0 to 8.6 bar)	
Medium Pressure	1 to 60 PSIG (0 to 4.1 bar)	
Medium Pressure	1 to 30 PSIG (0 to 2.1 bar)	
Low Pressure	1 to 15 PSIG (0 to 1.0 bar)	
Weight	.9 lb. (.36 kg)	
Bowl Capacity	1 Ounce	

* Inlet pressure 100 PSIG (6.9 bar). Secondary pressure 90 PSIG (6.2 bar).

** Useful retention refers to volume below the quiet zone baffle.


"F" Series Filters, Type "A" 5 micron elements: All Wilkerson Type "A" 5 micron elements **meet or exceed ISO Class 3** for maximum particle size and concentration of solid contaminants.

Materials of Construction

Adjusting Nut	Brass
Adjusting Stem & Spring	Steel
Body	Zinc
Bonnet, Knob, Seat, Piston, Holder & Deflector	Plastic
Bowls –	
Transparent	Polycarbonate
Metal (Without Sight Gauge)	Zinc
Filter Elements – 5 Micron (Standard)	Plastic
Manual Drain –	
Body & Stem	Plastic
Seals	Nitrile
Piston Drain –	
Piston & Seals	Nitrile
Stem, Seat, Adaptor & Washers	Aluminum
Seals	Nitrile
Sight Dome	Polycarbonate
Suggested Lubricant	Airline Oil F442001

 = "Most Popular"

Note: For Kits and Repair Parts, see individual pages for Filters, Regulators, and Lubricators.

 WARNING
<p>Product rupture can cause serious injury. Do not connect regulator to bottled gas. Do not exceed maximum primary pressure rating.</p>

CAUTION:

REGULATOR PRESSURE ADJUSTMENT – The working range of knob adjustment is designed to permit outlet pressures within their full range. Pressure adjustment beyond this range is also possible because the knob is not a limiting device. This is a common characteristic of most industrial regulators, and limiting devices may be obtained only by special design.

For best performance, regulated pressure should always be set by increasing the pressure up to the desired setting.



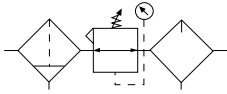
Ordering Information

Model Type	Port Size	Plastic Bowl with Gauge	Plastic Bowl without Gauge	Metal Bowl with Gauge	Metal Bowl without Gauge
Manual Drain	1/8	C03-01-G000	C03-01-0000	C03-01-GM00	C03-01-M000
	1/4	C03-02-G000	C03-02-0000	C03-02-GM00	C03-02-M000

Options - To order an option supplied with the unit model, add the appropriate coded suffix letter in the designated position of the model number.

Combination C16 / C17

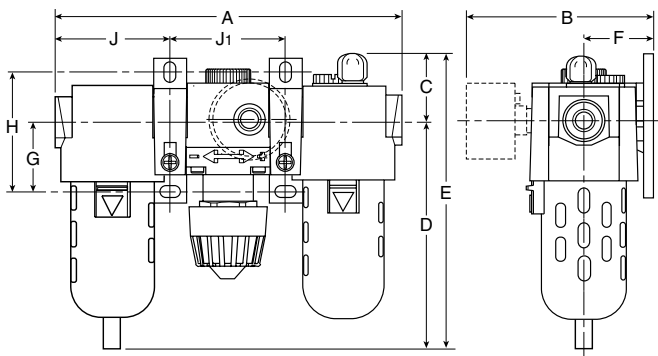
= "Most Popular"



C16-02-000

Features

- Components Integrated into Single Unit
- Metal Bowl with Sight Gauge Option
- Pressure Gauge Standard
- Integral Plastic Bowl / Bowl Guard
- Quick Disconnect Bowl
- Standard Self-relieving



Dimensions

Model	Inches (mm)	A	B	C	D	E	F	G	H	J	J ₁
Standard Unit with End Blocks C16-XX-000 and C17-XX-000		11.30 (287)	4.30 (109)	1.62 (41)	5.50 (139.7)	7.12 (180.8)	1.30 (33)	1.74 (44)	2.98 (75.7)	5.65 (143.5)	2.91 (73.9)

Specifications

Flow Capacity*	1/4	36.1 SCFM (17.0 dm ³ /s)
	3/8	58.5 SCFM (27.6 dm ³ /s)
	1/2	64.0 SCFM (30.2 dm ³ /s)
Gauge Ports (2)	NPT / BSPP-G	1/4
Port Threads	NPT	1/4, 3/8, 1/4
Pressure & Temperature Ratings –		
Plastic Bowl		0 to 150 PSIG (0 to 10.4 bar) 32°F to 125°F (0°C to 52°C)
Metal Bowl		0 to 200 PSIG (0 to 14 bar) 32°F to 175°F (0°C to 80°C)
Standard Filtration	Micron	5
Useful Retention**	oz. (cm ³)	Filter 2.7 (80.8)
		Lubricator 5 (147.0)
Weight		7.3 lb. (3.3 kg)

* Inlet pressure 150 PSIG (10.3 bar). Pressure drop 5 PSID (0.3 bar).

** Useful retention refers to volume below the quiet zone baffle.

"F" Series Filters, Type "A" 5 micron elements: All Wilkerson Type "A" 5 micron elements **meet or exceed ISO Class 3** for maximum particle size and concentration of solid contaminants.

Materials of Construction

Body	Zinc
Bonnet, Knob	PBT
Bowls –	
Plastic Bowl	Polycarbonate
Metal Bowl	Zinc
Diaphragm	Nitrile / Zinc
Filter Element	Polypropylene
Seals –	
Plastic Bowl	Nitrile
Metal Bowl	Fluorocarbon
Sight Dome	Nylon
Springs	Steel
Suggested Lubricant	Airline Oil F442001
Valve Assembly	Brass / Nitrile / Acetal

Note: For Kits and Repair Parts, see individual pages for Filters, Regulators, and Lubricators.

⚠ WARNING

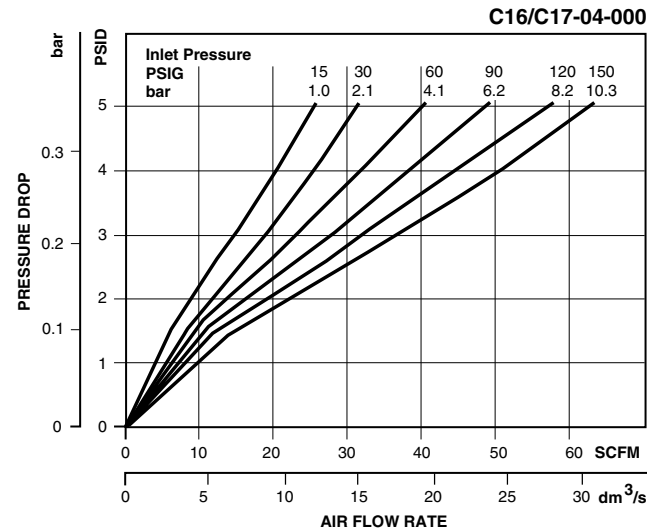
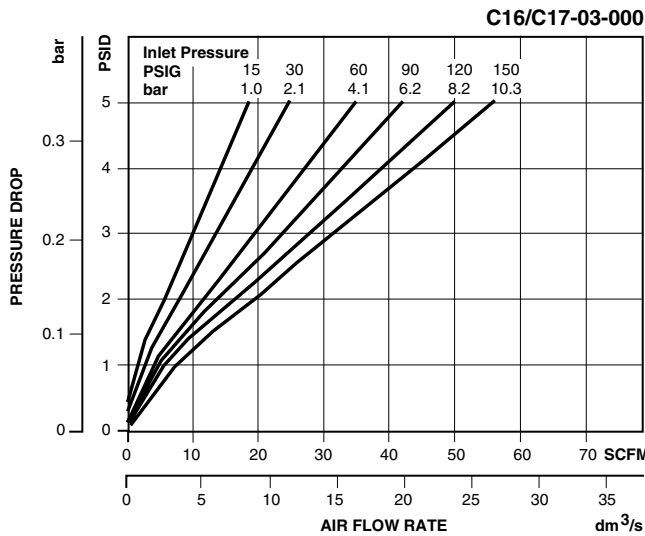
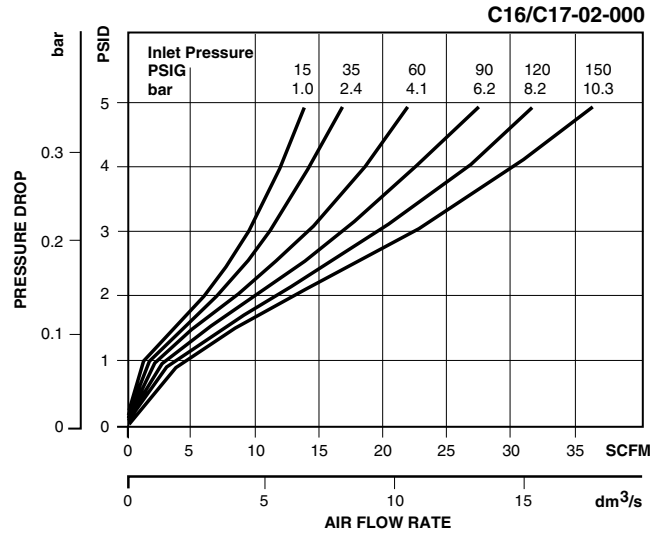
**Product rupture can cause serious injury.
Do not connect regulator to bottled gas.
Do not exceed maximum primary pressure rating.**

CAUTION:

REGULATOR PRESSURE ADJUSTMENT – The working range of knob adjustment is designed to permit outlet pressures within their full range. Pressure adjustment beyond this range is also possible because the knob is not a limiting device. This is a common characteristic of most industrial regulators, and limiting devices may be obtained only by special design.

For best performance, regulated pressure should always be set by increasing the pressure up to the desired setting.

= "Most Popular"



Ordering Information

Model Type	Port Size	Plastic Bowl / Bowl Guard with End Blocks 0 to 125 PSIG (0 to 8.5 bar)	Metal Bowl / Sight Gauge 0 to 125 PSIG (0 to 8.5 bar)	Automatic Drain 0 to 125 PSIG (0 to 8.5 bar)
C16	1/4	C16-02-000	C16-02-G00	C16-02-F00
	3/8	C16-03-000	C16-03-G00	C16-03-F00
	1/2	C16-04-000	C16-04-G00	C16-04-F00
C17	1/4	C17-02-000	C17-02-G00	C17-02-F00
	3/8	C17-03-000	C17-03-G00	C17-03-F00
	1/2	C17-04-000	C17-04-G00	C17-04-F00

Options - To order an option supplied with the unit model, add the appropriate coded suffix letter in the designated position of the model number.



Combination C26 / C27

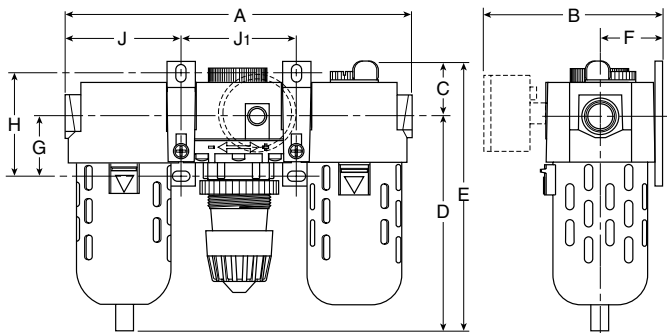
= "Most Popular"



C26-02-000

Features

- Components Integrated into Single Unit
- Metal Bowl with Sight Gauge Option
- Pressure Gauge Standard
- Integral Plastic Bowl / Bowl Guard
- Quick Disconnect Bowl
- Standard Self-relieving



Dimensions

Model	Inches (mm)	A	B	C	D	E	F	G	H	J	J ₁
Standard Unit with End Blocks C26-XX-000 and C27-XX-000		12.35 (314)	4.80 (122)	1.60 (41)	6.40 (162.6)	8.00 (203)	1.50 (38)	1.74 (44)	2.98 (75.7)	6.17 (157)	3.35 (85.1)

Specifications

Flow Capacity*	1/4	35.0 SCFM (16.5 dm ³ /s)
	3/8	60.0 SCFM (28.3 dm ³ /s)
	1/2	128 SCFM (60.4 dm ³ /s)
Gauge Ports (2)	NPT / BSPP-G	1/4
Port Threads	NPT	1/4, 3/8, 1/2
Pressure & Temperature Ratings –		
Plastic Bowl	0 to 150 PSIG (0 to 10.4 bar) 32°F to 125°F (0°C to 52°C)	
Metal Bowl	0 to 200 PSIG (0 to 14 bar) 32°F to 175°F (0°C to 80°C)	
Standard Filtration	Micron	5
Useful Retention**	oz. (cm ³)	Filter 1.7 (51.5)
		Lubricator 10 (296)
Weight	10.5 lb. (4.7 kg)	

* Inlet pressure 150 PSIG (10.3 bar). Pressure drop 5 PSID (0.3 bar).

** Useful retention refers to volume below the quiet zone baffle.

"F" Series Filters, Type "A" 5 micron elements: All Wilkerson Type "A" 5 micron elements **meet or exceed ISO Class 3** for maximum particle size and concentration of solid contaminants.

Materials of Construction

Body	Zinc
Bonnet, Knob	PBT
Bowls –	
Plastic Bowl	Polycarbonate
Metal Bowl	Zinc
Diaphragm	Nitrile / Zinc
Filter Element	Polypropylene
Seals –	
Plastic Bowl	Nitrile
Metal Bowl	Fluorocarbon
Sight Dome	Nylon
Springs	Steel
Suggested Lubricant	Airline Oil F442001
Valve Assembly	Brass / Nitrile / Acetal

= "Most Popular"

Note: For Kits and Repair Parts, see individual pages for Filters, Regulators, and Lubricators.

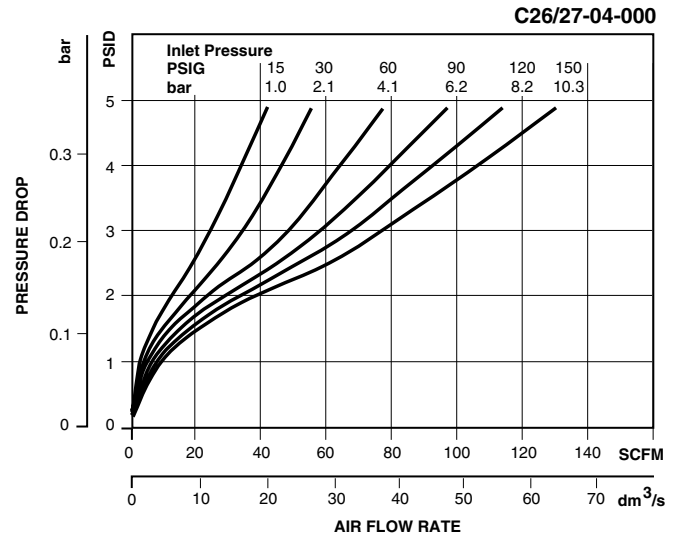
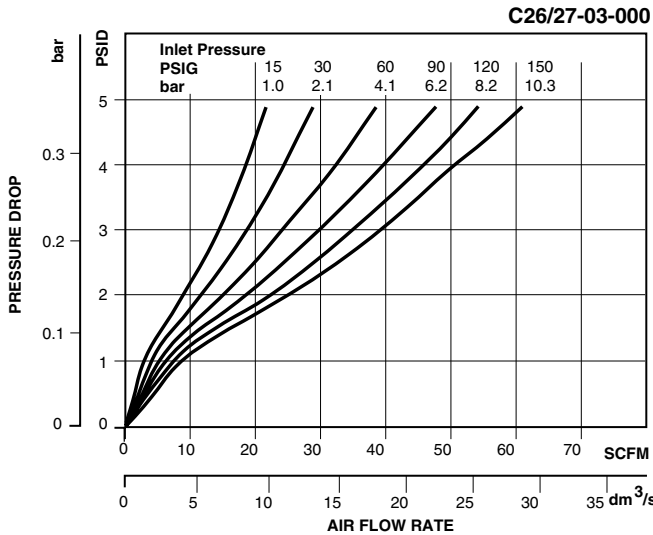
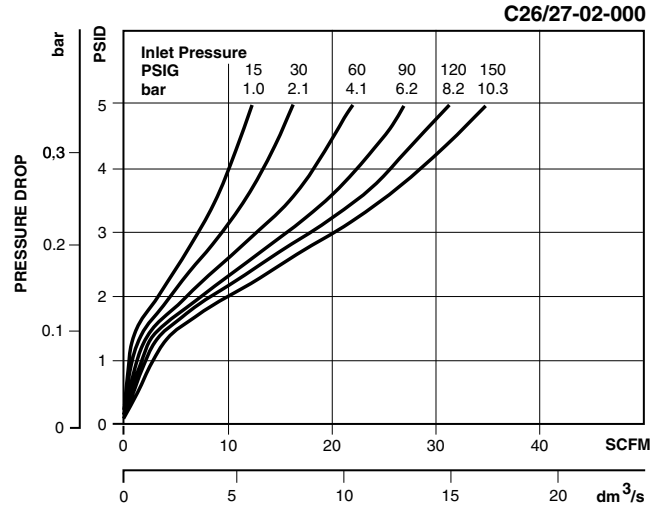
⚠ WARNING

**Product rupture can cause serious injury.
Do not connect regulator to bottled gas.
Do not exceed maximum primary pressure rating.**

CAUTION:

REGULATOR PRESSURE ADJUSTMENT – The working range of knob adjustment is designed to permit outlet pressures within their full range. Pressure adjustment beyond this range is also possible because the knob is not a limiting device. This is a common characteristic of most industrial regulators, and limiting devices may be obtained only by special design.

For best performance, regulated pressure should always be set by increasing the pressure up to the desired setting.



Ordering Information

Model Type	Port Size	Plastic Bowl / Bowl Guard with End Blocks 0 to 125 PSIG (0 to 8.5 bar)	Metal Bowl / Sight Gauge 0 to 125 PSIG (0 to 8.5 bar)	Automatic Drain 0 to 125 PSIG (0 to 8.5 bar)
C26	1/4	C26-02-000	C26-02-G00	C26-02-F00
	3/8	C26-03-000	C26-03-G00	C26-03-F00
	1/2	C26-04-000	C26-04-G00	C26-04-F00
C27	1/4	C27-02-000	C27-02-G00	C27-02-F00
	3/8	C27-03-000	C27-03-G00	C27-03-F00
	1/2	C27-04-000	C27-04-G00	C27-04-F00

Options - To order an option supplied with the unit model, add the appropriate coded suffix letter in the designated position of the model number.



Combination C31

= "Most Popular"



C31-06-000

Features

- 5 Micron Filtration
- High Flow Capacity
- Large Bowl Reservoir
- Pressure Gauge
- Standard Self-relieving

Specifications

Flow Capacity*	3/4, 1	374 SCFM (176.4 dm ³ /s)
Gauge Ports (2)	NPT	1/4
Port Threads	NPT	3/4, 1
Pressure & Temperature Ratings –		
Plastic Bowl	0 to 150 PSIG (0 to 10.4 bar) 32°F to 125°F (0°C to 52°C)	
Metal Bowl	0 to 200 PSIG (0 to 14 bar) 32°F to 175°F (0°C to 80°C)	
Standard Filtration	Micron	5
Useful Retention**	oz. (cm ³)	Filter 26 (769)
		Lubricator 32 (946)
Weight	18.2 lb. (8.2 kg)	

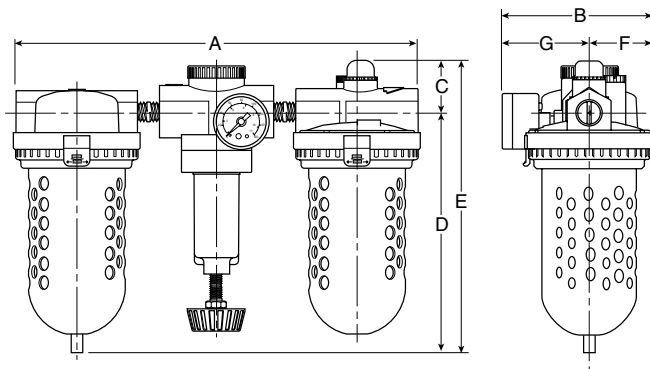
* Inlet pressure 120 PSIG (8.3 bar). Pressure drop 5 PSID (0.3 bar).

** Useful retention refers to volume below the quiet zone baffle.

"F" Series Filters, Type "A" 5 micron elements: All Wilkerson Type "A" 5 micron elements **meet or exceed ISO Class 3** for maximum particle size and concentration of solid contaminants.

Materials of Construction

Body	Zinc
Bonnet, Piston	Zinc
Bowls –	
Plastic Bowl	Polycarbonate
Metal Bowl	Zinc
Filter Element	Polypropylene
Seals –	
Plastic Bowl	Nitrile
Metal Bowl	Fluorocarbon
Sight Dome	Nylon
Springs	Steel
Suggested Lubricant	Airline Oil F442001
Valve Assembly	Brass / Nitrile / Acetal




Dimensions

Model	Inches (mm)	A	B	C	D	E	F	G
Standard Unit C31-XX-000		15.30 (389)	5.70 (145)	1.98 (50)	8.96 (228)	10.94 (278)	2.40 (60.9)	3.30 (83.8)

 = "Most Popular"

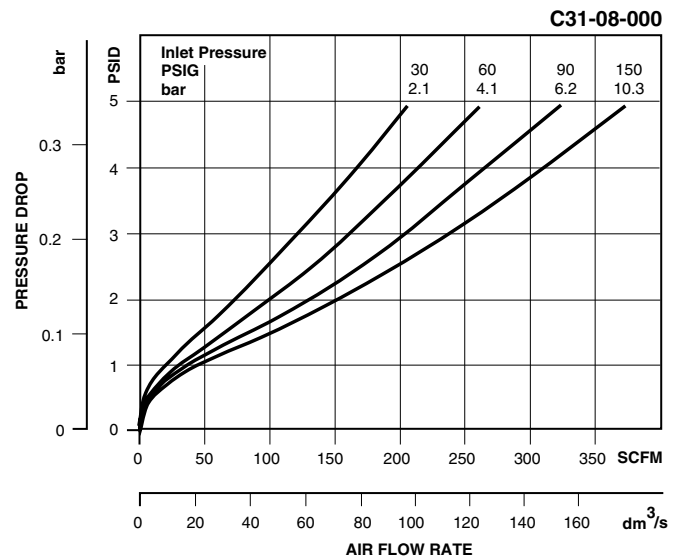
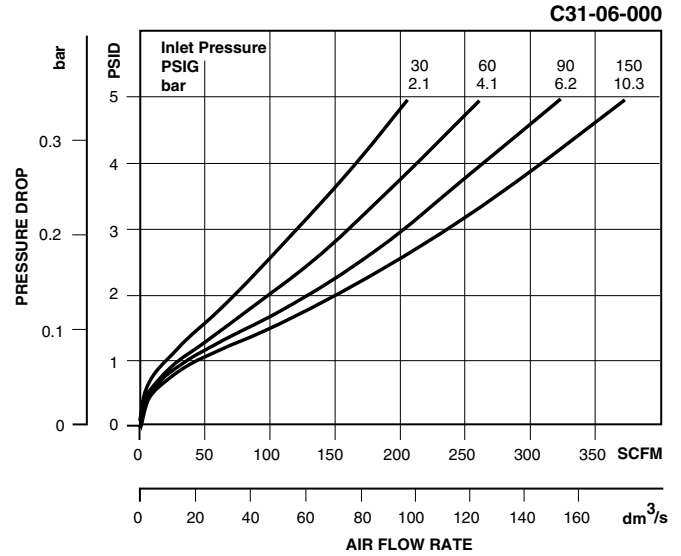
Note: For Kits and Repair Parts, see individual pages for Filters, Regulators, and Lubricators.

 WARNING
Product rupture can cause serious injury. Do not connect regulator to bottled gas. Do not exceed maximum primary pressure rating.

CAUTION:

REGULATOR PRESSURE ADJUSTMENT – The working range of knob adjustment is designed to permit outlet pressures within their full range. Pressure adjustment beyond this range is also possible because the knob is not a limiting device. This is a common characteristic of most industrial regulators, and limiting devices may be obtained only by special design.

For best performance, regulated pressure should always be set by increasing the pressure up to the desired setting.



Ordering Information

Model Type	Port Size	Plastic Bowl / Bowl Guard 0 to 125 PSIG (0 to 8.5 bar)
C31	3/4	C31-06-000
	1	C31-08-000

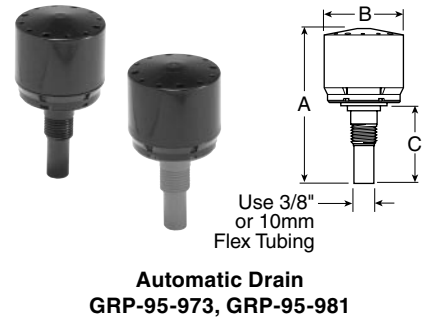
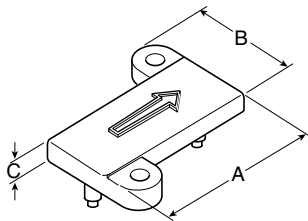
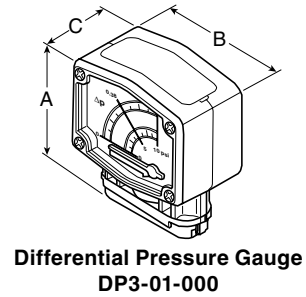
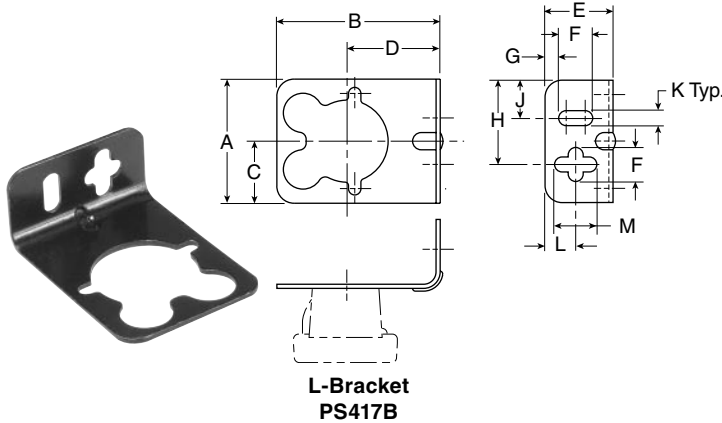
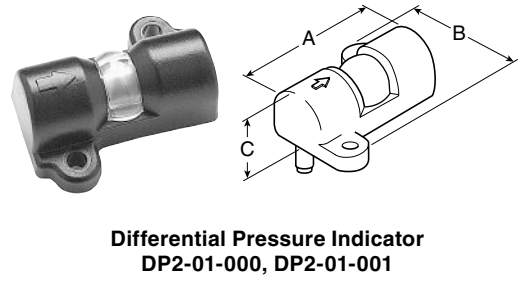
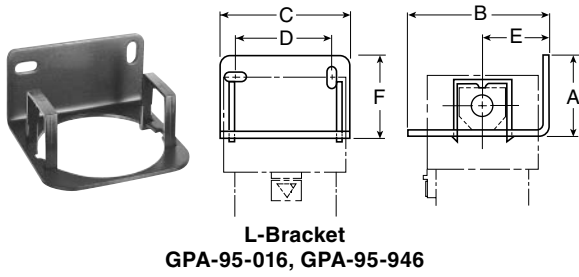
Options - To order an option supplied with the unit model, add the appropriate coded suffix letter in the designated position of the model number.

Notes



Filter Accessories 2
Regulator Accessories 5
Lubricator Accessories 7
Filter / Regulator Accessories 9
Modular 16 / 26 Series Accessories 10

Accessories – Filters



Dimensions Inches (mm)

Accessories	Part Number	Used On	A	B	C	D	E	F	G	H	J	K	L	M
L-Bracket	PS417B	F03, M03	2.12 (53)	3.62 (91)	3.40 (83)	2.53 (64)	1.88 (47)	0.50 (13)	0.20 (5)	1.24 (31)	0.56 (14)	0.22 (6)	0.45 (11)	0.62 (16)
	GPA-95-016	F16, M16	1.80 (46)	2.37 (60)	0.90 (23)	1.35 (34)	1.00 (25)	—	—	—	—	—	—	—
	GPA-95-946	F26, M26	—	—	—	—	—	—	—	—	—	—	—	—
Differential Pressure Indicator	DP2-01-000	M16, M21, M26, M30, M31, M32	2.12 (54)	1.85 (47)	0.84 (21)	—	—	—	—	—	—	—	—	—
	DP2-01-001	F35, F36, F37, F43, M35, M36, M37, M43, M45	—	—	—	—	—	—	—	—	—	—	—	—
Cap, Differential Pressure Indicator (Pressures over 150 PSIG, 10.3 bar)	GRP-95-020	M16, M21, M26, M30, M31, M32	2.12 (54)	1.85 (47)	0.25 (6.3)	—	—	—	—	—	—	—	—	—
	GRP-95-022	F35, F36, F37, F43, M35, M36, M37, M43, M45	—	—	—	—	—	—	—	—	—	—	—	—
Differential Pressure Gauge	DP3-01-000	M32, M42	3.0 (75.9)	2.55 (65)	1.54 (39)	—	—	—	—	—	—	—	—	—
Automatic Drains, Nitrile	GRP-95-973	F16, F26, F30, F35, F36, F43	2.93 (74.4)	1.47 (37.3)	1.17 (29.7)	—	—	—	—	—	—	—	—	—
Automatic Drains, Fluorocarbon	GRP-95-981	F16, F26, F30, F35, F36, F43	—	—	—	—	—	—	—	—	—	—	—	—

Filter Replacement Bowl Kits

= "Most Popular"



Model	Plastic Bowl / Manual Drain	Plastic Bowl / Bowl Guard Manual Drain	Metal Bowl / Manual Drain	Metal Bowl / Sight Gauge Manual Drain	Plastic Bowl / Bowl Guard Automatic Drain	Metal Bowl / Automatic Drain
Particulate Filters						
F03	PS404	—	PS447B	—	—	—
F16	FRP-95-017	FRP-95-014	FRP-95-178	GRP-95-133	FRP-95-015	FRP-95-950
F26	GRP-95-929	GRP-95-935	GRP-95-930	GRP-95-931	GRP-95-948	GRP-95-960
F30	FRP-96-315	FRP-95-832	FRP-95-593	GRP-95-676	FRP-95-775	GRP-95-970
F34	N/A	GRP-95-902	N/A	N/A	N/A	N/A
Coalescing Filters						
M03	PS404	—	PS447B	—	—	—
M16	FRP-95-017	FRP-95-014	FRP-95-178	GRP-95-133	FRP-95-015	FRP-95-950
M21	MRP-96-415	FRP-95-722	N/A	N/A	N/A	N/A
M26	GRP-95-929	GRP-95-935	GRP-95-930	GRP-95-931	GRP-95-948	GRP-95-960
M30	FRP-96-315	FRP-95-832	FRP-95-593	GRP-95-676	FRP-95-775	GRP-95-970
M31	MRP-95-940	MRP-95-938	MRP-95-939	N/A	MRP-95-941	N/A

F

Filter Replacement Element Kits

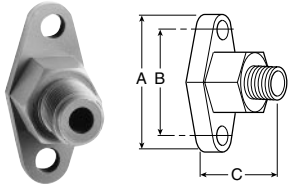
 = "Most Popular"



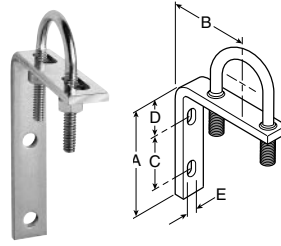
Model	Type A 5 Micron	Type B1 1 Micron	Type B 0.5 Micron	Type C 0.01 Micron	Type D Oil Vapor Removing
Particulate Filters					
F01	FRP-95-199	—	—	—	—
F03	PS403	—	—	—	—
F16	FRP-95-160	—	—	—	—
F26	FRP-95-115	—	—	—	—
F30	FRP-95-209	—	—	—	—
F34	FRP-95-209	—	—	—	—
F35	FRP-95-505	—	—	—	—
F36	FRP-95-506	—	—	—	—
F37	FRP-95-507	—	—	—	—
F43	FRP-95-508	—	—	—	—
F50	FRP-95-212	—	—	—	—
F51	FRP-95-213	—	—	—	—
F52	FRP-95-212 (3 kits)	—	—	—	—
F53	FRP-95-213 (3 kits)	—	—	—	—
Coalescing Filters					
M03	—	PS456	—	PS446	PS452
M16	—	—	MSP-95-988	MTP-95-548	MXP-95-987
M21	—	—	MSP-95-990	MTP-95-550	MXP-95-537
M26	—	—	MSP-95-989	MTP-95-549	MXP-95-540
M30	—	—	MSP-95-992	MTP-95-551	MXP-95-532
M31	—	—	MSP-95-993	MTP-95-521	MXP-95-522
M32	—	MSP-95-873	—	MTP-95-559	MXP-95-558
M35	—	MSP-95-502	—	MTP-95-502	MXP-95-502
M36	—	MSP-95-503	—	MTP-95-503	MXP-95-503
M37	—	MSP-95-504	—	MTP-95-504	MXP-95-504
M43	—	MSP-95-876	—	MTP-95-562	MXP-95-565
M45	—	MSP-95-500	—	MTP-95-500	MXP-95-500

Accessories – Regulators

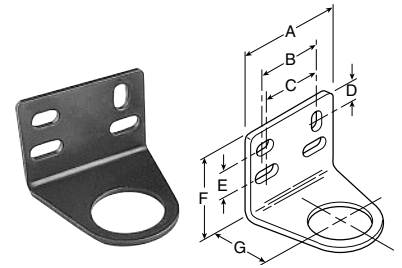
 = "Most Popular"



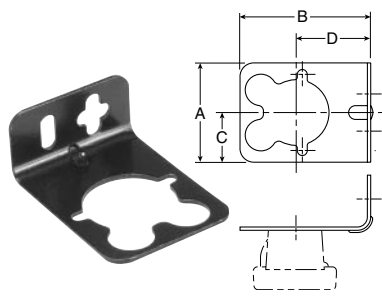
Wall Mounting Bracket – Gauge Port Adapter
RRP-95-590, RRP-95-591



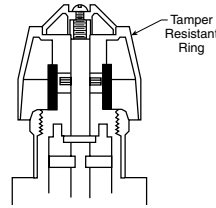
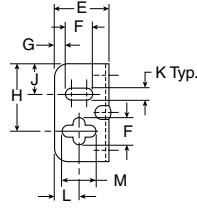
Wall Mounting Bracket U-Bolt Pipe Clamp
GRP-95-734



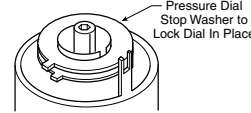
L-Bracket
GPA-95-011, GPA-95-012, GPA-95-956



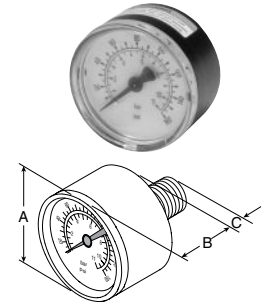
L-Bracket PS417B
(Includes Panel Mount Nut)



RPA-95-006
Tampers Resistant Kit



RRP-95-585



Pressure Gauge
1/8 Port, CBM
1/4 Port, CBM

Dimensions Inches (mm)

Accessories		Used On	A	B	C	D	E	F	G	H	J	K	L	M
Wall Mtg. Bracket U-Bolt Pipe Clamp	GRP-95-734	For All Non-Modular Units Up to 1" NPT	3.34 (85)	2.76 (70)	1.62 (41)	1.10 (28)	0.30 (7.6)	—	—	—	—	—	—	—
L-Bracket with Plastic Panel Nut	GPA-95-011	R16, P15, P16	2.50 (63.5)	1.60 (41)	1.50 (38)	0.46 (12)	0.62 (16)	1.88 (48)	1.62 (41)	—	—	—	—	—
	GPA-95-012		—	—	—	—	—	—	—	—	—	—	—	—
L-Bracket	PS417B	R03	2.12 (53)	3.62 (91)	3.40 (83)	2.53 (64)	1.88 (47)	0.50 (13)	0.20 (5)	1.24 (31)	0.56 (14)	0.22 (6)	0.45 (11)	0.62 (16)
	GPA-95-956	R26	3.00 (76.2)	2.06 (50.8)	—	0.55 (14.0)	3.50 (88.9)	4.05 (102.9)	1.88 (47.8)	—	—	—	—	—
Wall Mtg. Bracket Gauge Port Adapter	RRP-95-590	P15, P16, R16, R21, R26, R30, R31, R40, R41	1.87 (47.5)	1.36 (34.5)	1.06 (27)	—	—	—	—	—	—	—	—	—
Gauges, 1/8 Port, CBM														
K4515N18030 (0 to 30 PSIG)		R03	1.64 (41.6)	1.09 (27.6)	.80 (20)	—	—	—	—	—	—	—	—	—
K4515N18060 (0 to 60 PSIG)		R03, RB3												
K4515N18160 (0 to 160 PSIG)		R03, RB3												
Gauges, 1/4 Port, CBM														
K4520N18030 (0 to 30 PSIG)		P15, P16	1.96 (49.8)	108 (27)	.91 (23)	—	—	—	—	—	—	—	—	—
K4520N14060 (0 to 60 PSIG)		R16, R26, R31, R41, P15, P16												
K4520N14160 (0 to 160 PSIG)		R16, R26, R30, R31, R40, R41, P15, P16												
K4520N14300 (0 to 300 PSIG)		R16, R26, R30, R40												
Tampers Resistant Kit	RPA-95-006	R16, R26, P15, P16	—	—	—	—	—	—	—	—	—	—	—	—
	RRP-95-585	R11, R21, R31, R41	—	—	—	—	—	—	—	—	—	—	—	—

F

Regulator Replacement Kits

 = "Most Popular"

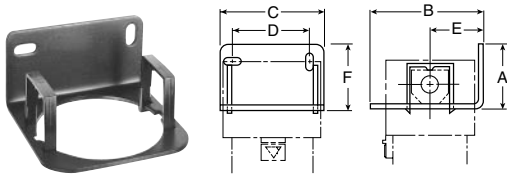
Model Regulator	Self-relieving Piston	Non-relieving Piston	Self-relieving Diaphragm	Non-relieving Diaphragm	Repair Kit Self-relieving	Repair Kit Non-relieving	Valve Assembly Kit
R03	—	—	—	—	PS423	PS422	PS424B
R16	—	—	RRP-96-213	RRP-96-216	RRP-95-130	RRP-95-129	RRP-96-215
R21	—	—	—	—	RRP-95-151	—	—
R26	—	—	RRP-96-238	RRP-96-332	RRP-95-951	RRP-95-950	RRP-96-294
R30	—	RRP-95-451	—	—	—	—	RRP-95-159
R31	RRP-95-192	—	—	—	RRP-95-152	—	RRP-96-935
R40	—	RRP-95-451	—	—	RRP-95-161	RRP-95-162	—
R41	RRP-95-192	—	—	—	—	—	RRP-96-935

Model	Self-relieving Diaphragm	Non-relieving Diaphragm	Repair Kit Self-relieving	Repair Kit Non-relieving	Valve Assembly Kit	Fluorocarbon Diaphragm Self-relieving	Fluorocarbon Valve Assembly
Precision Regulator P15 / P16	PRP-95-960	—	PRP-95-004	PRP-95-053	PRP-95-959	PRP-95-073	PPA-95-067

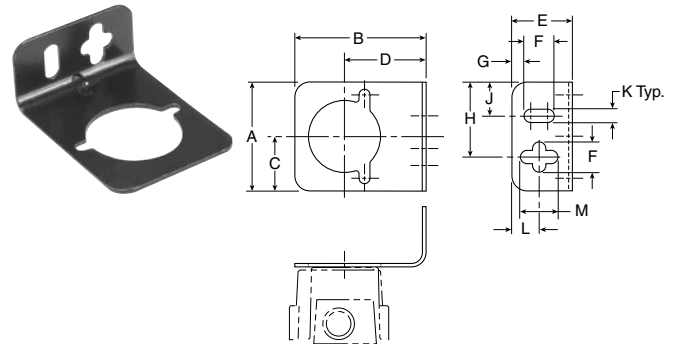
Model	Pressure Spring 0-10 PSIG	Pressure Spring 0-15 PSIG	Pressure Spring 0-30 PSIG	Pressure Spring 0-40 PSIG	Pressure Spring 0-50 PSIG	Pressure Spring 0-60 PSIG	Pressure Spring 0-125 PSIG	Pressure Spring 0-150 PSIG	Pressure Spring 0-160 PSIG	Pressure Spring 0-180 PSIG	Pressure Spring 0-250 PSIG
R16	—	—	—	—	RRP-95-222	—	RRP-95-224	—	—	—	RRP-95-218
R21	—	—	—	RRP-95-906	—	—	—	—	RRP-95-905	—	—
R26	—	—	—	—	—	RRP-95-962	GRP-95-225	—	—	—	RRP-95-219
R30	—	—	—	—	—	—	RRP-95-226	—	—	RRP-95-220	—
R31	—	—	—	RRP-95-906	—	—	—	—	RRP-95-905	—	—
R40	—	—	—	—	—	—	RRP-95-226	—	—	RRP-95-220	—
R41	—	—	—	RRP-95-906	—	—	—	—	RRP-95-905	—	—
P15 / P16	—	RRP-95-233	RRP-95-916	—	RRP-95-222	—	RRP-95-224	—	—	—	—

Accessories – Lubricators

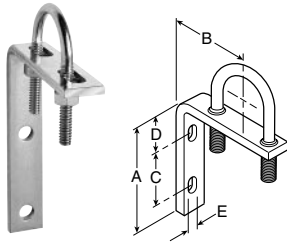
= "Most Popular"



L-Bracket
GPA-95-016, GPA-95-946



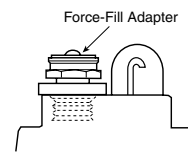
L-Bracket
PS419



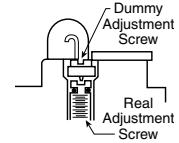
Wall Mounting Bracket
U-Bolt Pipe Clamp
GRP-95-734



F442 Oil
F442001 - 1 Quart Bottle
F442002 - 1 Gallon
F442005 - 4 Gallon Case



Force Fill Adapter
GRP-96-394



Tamper Resistant Kit
LRP-95-587

Dimensions

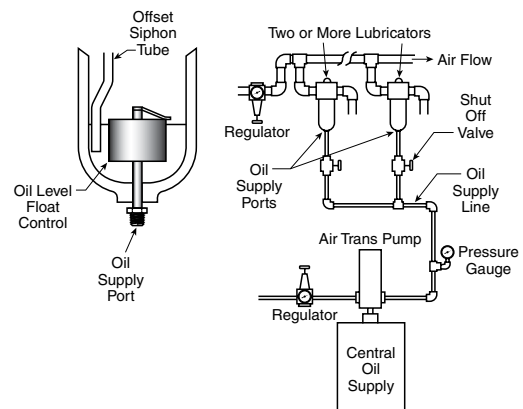
Inches
(mm)

Accessories	Part Number	Used On	A	B	C	D	E	F	G	H	J	K	L	M
Wall Mounting Bracket	GRP-95-734	For All Non-Modular Units Up To 1" NPT	1.16 (29.5)	0.96 (24)	0.25 (6.3)	—	—	—	—	—	—	—	—	—
L-Bracket	PS419	L03	2.12 (53)	3.62 (91)	3.40 (83)	2.53 (64)	1.88 (47)	0.50 (13)	0.20 (5)	1.24 (31)	0.56 (14)	0.22 (6)	0.45 (11)	0.62 (16)
	GPA-95-016	L16 / L17	2.12 (53)	3.62 (91)	3.40 (83)	2.53 (64)	1.88 (47)	1.60 (41)	—	—	—	—	—	—
	GPA-95-946	L26 / L27	2.12 (53)	3.62 (91)	3.80 (96)	2.93 (74)	1.88 (47)	1.60 (41)	—	—	—	—	—	—
Force-Fill Adapter	GRP-96-394	L16 / L17, L26 / L27, L30, L31, L32, L34, L50	—	—	—	—	—	—	—	—	—	—	—	—
Tamper Resistant Kit	LRP-95-587	L16 / L17, L26 / L27, L30, L31, L32, L34, L40, L41, L42, L50	—	—	—	—	—	—	—	—	—	—	—	—
Oil	F442001 – 1 Quart Bottle		—	—	—	—	—	—	—	—	—	—	—	—
	F442002 – 1 Gallon		—	—	—	—	—	—	—	—	—	—	—	—
	F442005 – 4 Gallon Case		—	—	—	—	—	—	—	—	—	—	—	—

Auto-Fill™ Adapter Kits

These adapters provide automatic oil replenishing to several lubricators from a central oil supply. See schematic for installation. Pump, regulators, shut-off valves not included. Oil supply pressure must be a least 5 PSIG (0.3 bar) above compressed air pressure at lubricators, but no higher than 50 PSIG (3.4 bar) above. Oil pressure must be turned off when air pressure is turned off.

Order Part No. LRP-95-965 to adapt L26, L27, and No. LRP-95-698 for L30 and L34 series.



F

Lubricator Replacement Bowl Kits

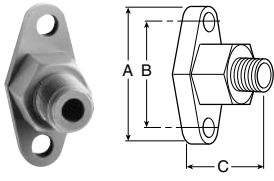
 = "Most Popular"



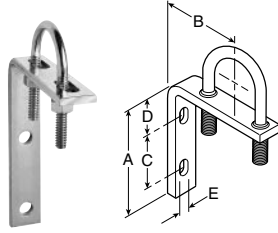
Model Lubricator	Plastic Bowl No Drain Port	Plastic Bowl / Bowl Guard Manual Drain	Plastic Bowl Petcock Drain	Metal Bowl / Sight Gauge Manual Drain
L03	PS421	—	—	—
L16	LRP-96-937	—	LRP-96-543	GRP-95-133
L17	LRP-96-937	—	LRP-96-543	GRP-95-13
L26	LRP-95-938	LRP-95-967	LRP-95-958	GRP-95-931
L27	LRP-95-938	LRP-95-967	LRP-95-958	GRP-95-931
L30	LRP-96-940	LRP-95-830	LRP-96-160	GRP-95-676
L34	LRP-96-940	LRP-95-830	LRP-96-160	GRP-95-676
L40	LRP-96-940	LRP-95-830	LRP-96-160	GRP-95-676
L50	LRP-96-940	LRP-95-830	LRP-96-160	GRP-95-676

Accessories Filter / Regulators

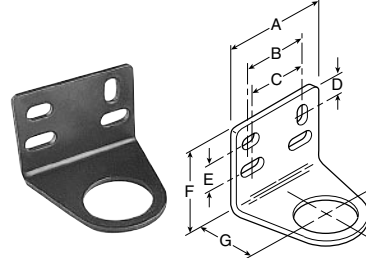
 = "Most Popular"



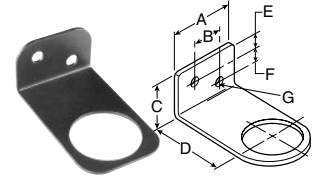
Wall Mounting Bracket - Gauge Port Adapter
RRP-95-590, RRP-95-591



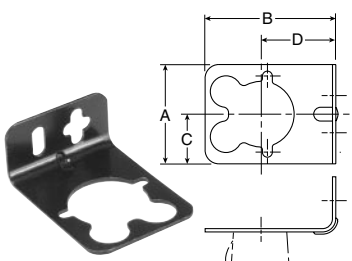
Wall Mounting Bracket U-Bolt Pipe Clamp
GRP-95-734



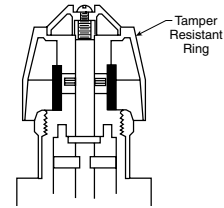
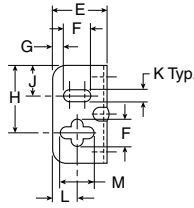
L-Bracket
GPA-95-011, GPA-95-012



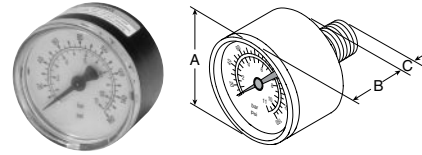
L-Bracket
GRP-95-147



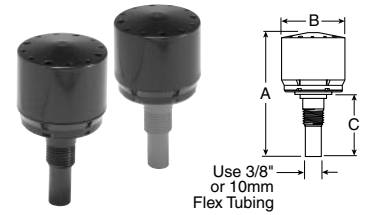
L-Bracket PS417B
(Includes Panel Mount Nut)



Tamper Resistant Kit
RPA-95-006



Pressure Gauge
1/8 Port, CBM
1/4 Port, CBM



Automatic Drain
GRP-95-973, GRP-95-981

Dimensions

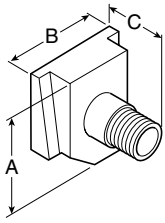
Inches (mm)

Accessories		Used On	A	B	C	D	E	F	G	H	J	K	L	M
Wall Mtg. Bracket U-Bolt Pipe Clamp	GRP-95-734	For All Non-Modular Units Up to 1" NPT	3.34 (85)	2.76 (70)	1.62 (41)	1.10 (28)	0.30 (7.6)	—	—	—	—	—	—	—
L-Bracket with Plastic Panel Nut	GPA-95-011	CB6, PC5, PC6	2.50 (63.5)	1.60 (41)	1.50 (38)	0.46 (12)	0.62 (16)	1.88 (48)	1.62 (41)	—	—	—	—	—
	GPA-95-012		—	—	—	—	—	—	—	—	—	—	—	—
L-Bracket	PS417B	B03	2.12 (53)	3.62 (91)	3.40 (83)	2.53 (64)	1.88 (47)	0.50 (13)	0.20 (5)	1.24 (31)	0.56 (14)	0.22 (6)	0.45 (11)	0.62 (16)
	GRP-95-147	BB3	1.50 (38)	0.68 (17)	1.00 (25)	1.75 (44)	0.34 (8.6)	0.31 (7.9)	0.22 (5.6)	—	—	—	—	—
Automatic Drains, Nitrile	GRP-95-973	CB6	2.93 (74.4)	1.47 (37.3)	1.17 (29.7)	—	—	—	—	—	—	—	—	—
Automatic Drains, Fluorocarbon	GRP-95-981		—	—	—	—	—	—	—	—	—	—	—	—
Gauges, 1/8 Port, CBM			1.64 (41.6)	1.09 (27.6)	.80 (20)	—	—	—	—	—	—	—	—	—
K4515N18030 (0 to 30 PSIG)		B03												
K4515N18060 (0 to 60 PSIG)		B03, BB3												
K4515N18160 (0 to 160 PSIG)		B03, BB3	—	—	—	—	—	—	—	—	—	—	—	—
Gauges, 1/4 Port, CBM			1.96 (49.8)	108 (27)	.91 (23)	—	—	—	—	—	—	—	—	—
K4520N18030 (0 to 30 PSIG)		PC5, PC6												
K4520N14060 (0 to 60 PSIG)		CB6, PC5, PC6												
K4520N14160 (0 to 160 PSIG)		CB6, PC5, PC6												
K4520N14300 (0 to 300 PSIG)		CB6	—	—	—	—	—	—	—	—	—	—	—	—
Tamper Resistant Kit	RPA-95-006	CB6, PC5, PC6	—	—	—	—	—	—	—	—	—	—	—	—

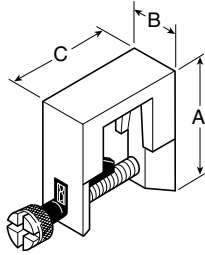
F

Modular 16 / 26 Accessories

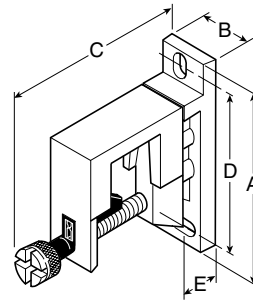
 = "Most Popular"



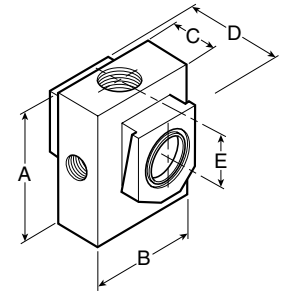
Modular Pipe Adapter
GPA-95-035,
GPA-95-036,
GPA-95-037



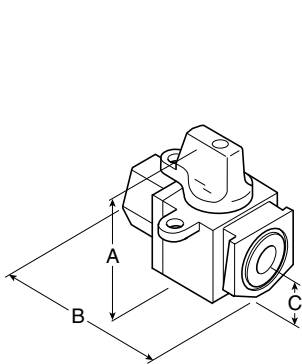
Modular Sleeve
GPA-95-292



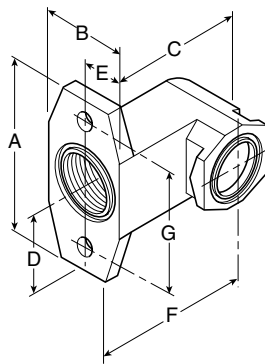
Modular Sleeve with T-Bracket
GPA-95-969



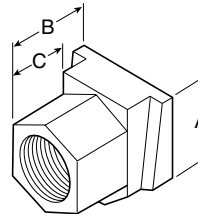
**Modular Manifold Block
(3 Auxiliary Ports)**
GPA-95-919



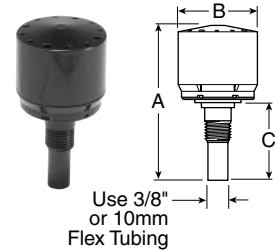
Modular 3-Way Shut-off Valve
GPA-95-096,
GPA-95-097,
GPA-95-098



Right-Angle Bracket
GPA-95-042



**Modular Connecting
End Block Set**
GPA-95-223, -224,
-225, -320, -321



Automatic Drain
GRP-95-973

Dimensions Inches (mm)

Accessories	Part Number	Pipe Size NPT	A	B	C	D	E	F	G
Modular Pipe Adapter	GPA-95-035	1/4	1.25	1.25	1.14	—	—	—	—
	GPA-95-036	3/8	(31.7)	(31.7)	(28.9)	—	—	—	—
	GPA-95-037	1/2							
Modular Sleeve	GPA-95-292	—	2.55 (64.8)	0.82 (20.8)	1.92 (48.8)	—	—	—	—
Modular Sleeve With T-Bracket	GPA-95-969	—	3.60 (91.4)	.82 (20.8)	3.43 (87.1)	2.98 (75.7)	0.78 (19.8)	—	—
Modular Manifold Block (3 Auxiliary Ports)	GPA-95-919	1/4	2.30 (58.4)	2.00 (50.8)	0.72 (18.3)	1.57 (39.9)	0.98 (24.9)	—	—
Modular 3-Way Shut-off Valve	GPA-95-096	1/4	2.38	2.51	0.69	—	—	—	—
	GPA-95-097	3/8	(60.4)	(63.7)	(17.5)	—	—	—	—
	GPA-95-098	1/2							
Modular Right Angle Bracket	GPA-95-042	—	2.75 (69.8)	1.25 (31.7)	2.38 (60.4)	1.00 (25.4)	0.63 (16.0)	1.75 (44.5)	2.00 (50.8)
Modular Connecting End Block Set	GPA-95-223	1/4	1.25	1.19	0.75	—	—	—	—
	GPA-95-224	3/8	(31.7)	(30.2)	(19.0)	—	—	—	—
	GPA-95-225	1/2							
	GPA-95-320	3/4							
	GPA-95-321	1							
Automatic Drain	GRP-95-973	1/8	2.93 (74.4)	1.47 (37.3)	1.17 (29.7)	—	—	—	—



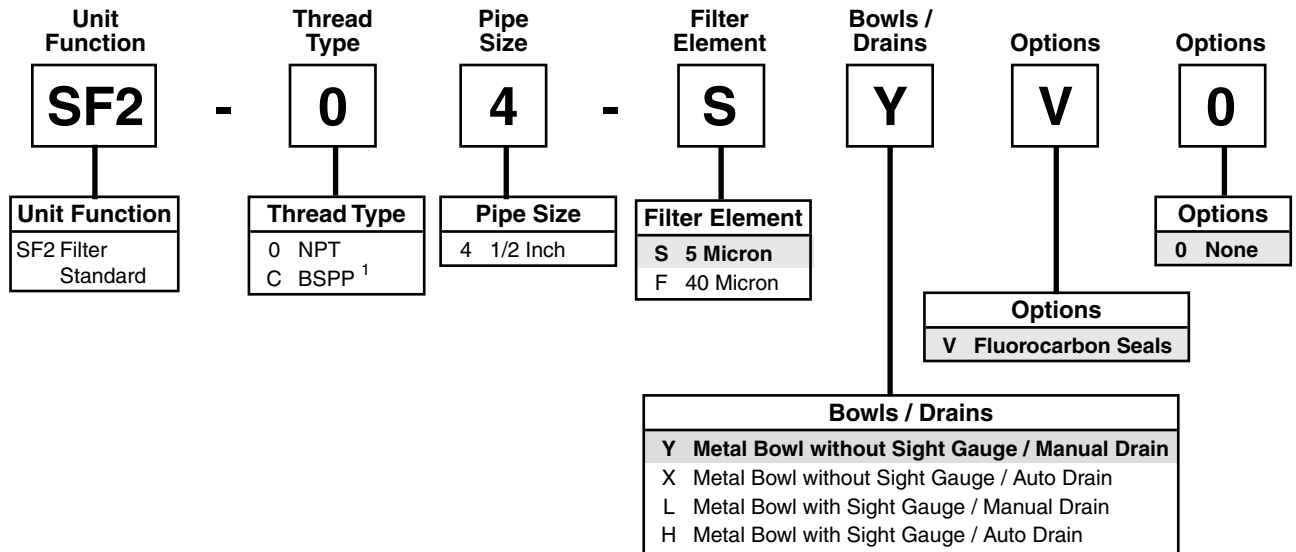
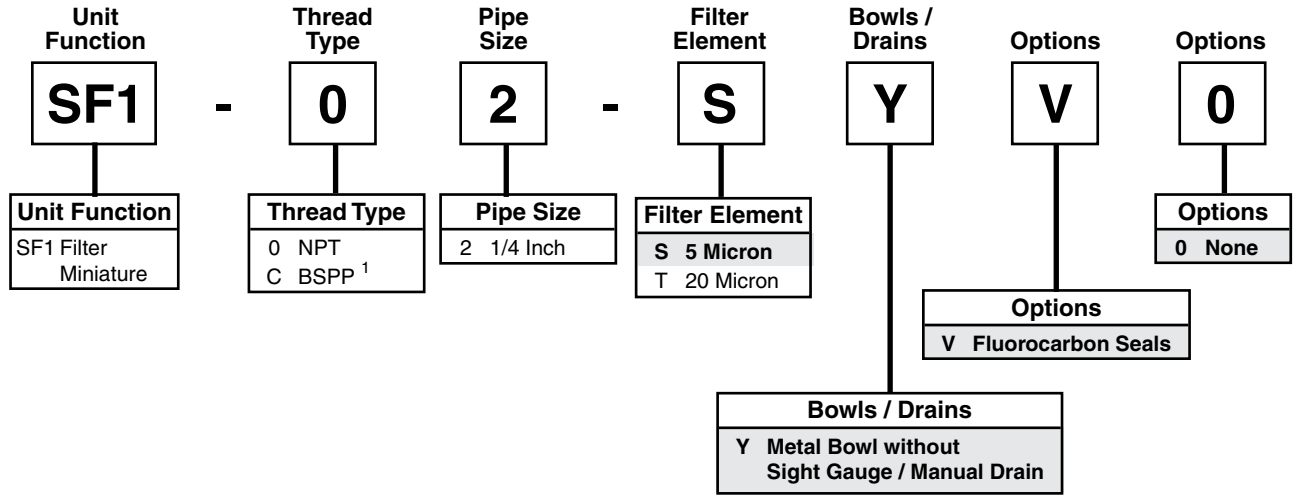
Stainless Steel Compressed Air Treatment Products

G

Particulate Filters	3
SF1	4
SF2	6
Coalescing Filters.....	9
SM1	10
SM2	12
Regulators.....	15
SR1	16
SR2.....	18
Filter / Regulators.....	21
SB1	22
SB2.....	24
Lubricators.....	27
SL2	28

Notes

Particulate Filter Numbering System = "Most Popular"



¹ ISO, R228 (G Series)

"SF" Series Filters, Type "A" 5 micron elements: All Wilkerson Type "A" 5 micron elements **meet or exceed** ISO Class 3 for maximum particle size and concentration of solid contaminants.

NOTE: All classes above refer to International Standards Organization (ISO) standard 8573-1, pertaining to maximum particle size and concentration of solid contaminants, and maximum oil content.

Note: When selecting from the options columns, please enter letters in alphabetical order for positions 7, 8, and 9. For example:

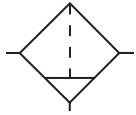
SF1 - 0 2 - S Y V 0



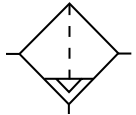
Filter – Miniature

SF1

= "Most Popular"



Manual Drain



Auto Drain



SF1-02-SYV0

Features

- Stainless Steel Construction Handles Most Corrosive Environments
- Fluorocarbon Seals Standard
- Meets NACE Specifications
- High Flow: 1/4" – 23 SCFM

Specifications

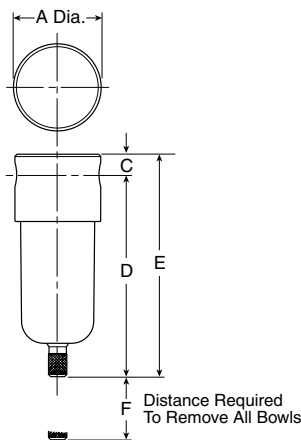
Flow Capacity*	Port Size	5 Micron 23 SCFM
Bowl Capacity		1.0 Ounces
Filter Rating		5 Micron
Port Threads		1/4 Inch
Pressure & Temperature Ratings		0 to 300 PSIG (0 to 20.7 bar) 40°F to 180°F (4°C to 82°C)
Useful Retention**		0.4 Ounce
Weight		0.6 lb. (0.27 kg)

* Inlet pressure 90 PSIG (6.2 bar) and 5 PSID (0.3 bar) pressure drop.

** Useful Retention refers to volume below the quiet zone baffle.

Materials of Construction

Body	316 Stainless Steel
Bowl	316 Stainless Steel
Deflector	Acetal
Drain	316 Stainless Steel
Element Holder	Acetal
Filter Element	Polyethylene
Seals	Fluorocarbon



Dimensions

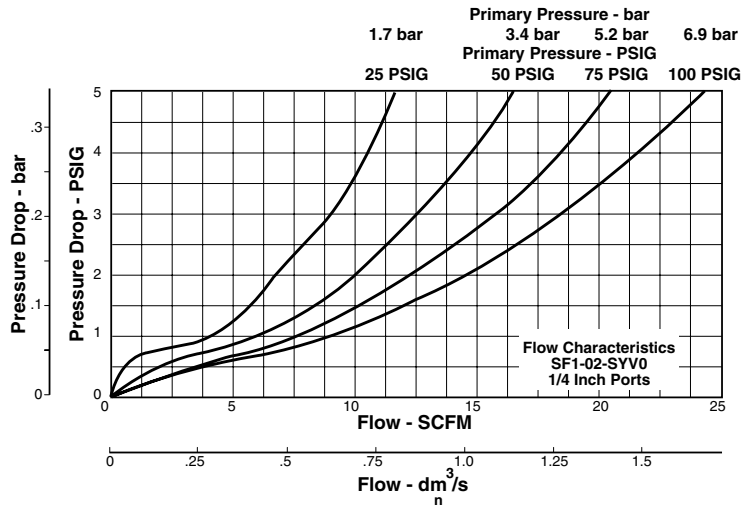
Models	Inches (mm)	A	C	D	E	F
Miniature Unit SF1-02-XXXX		1.57 (40)	0.31 (8)	3.69 (94)	4.00 (102)	1.58 (40)

= "Most Popular"

SF1 Filter Kits & Accessories

Filter Element Kits –

- Particulate (5 Micron) SRP-96-001
- Particulate (20 Micron) SRP-96-002
- Manual Drain SRP-96-008
- Pipe Nipple – 1/4" 316 Stainless Steel SRP-96-009



Ordering Information

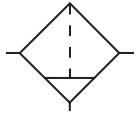
Model Type	Port Size	Model Number
Manual Drain	1/4	SF1-02-SYV0

Options - To order an option supplied with the unit model, add the appropriate coded suffix letter in the designated position of the model number.

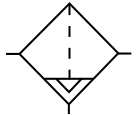
Filter – Standard

SF2

= "Most Popular"



Manual Drain



Auto Drain



SF2-04-SYV0

Features

- Stainless Steel Construction Handles Most Corrosive Environments
- Meets NACE Specifications
- High Flow: 1/2" – 70 SCFM

Specifications

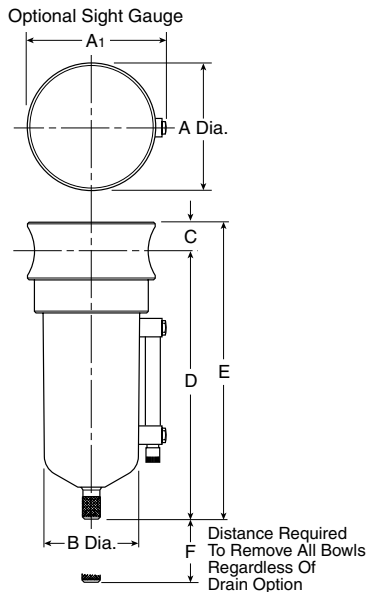
Flow Capacity*	Port Size	5 Micron 70 SCFM
Bowl Capacity		4.0 Ounces
Filter Rating		5 Micron
Port Threads		1/2 Inch
Pressure & Temperature Ratings –		
Manual Drain –		0 to 300 PSIG (0 to 20.7 bar) 40°F to 180°F (4°C to 82°C)
Automatic Drain –		15 to 175 PSIG (1 to 12 bar) 40°F to 120°F (4°C to 49°C)
Useful Retention**		1.7 Ounce
Weight		1.9 lb. (0.85 kg)

* Inlet pressure 90 PSIG (6.2 bar) and 5 PSID (0.3 bar) pressure drop.

**Useful Retention refers to volume below the quiet zone baffle.

Materials of Construction

Body	316 Stainless Steel
Bowl	316 Stainless Steel
Deflector	Acetal
Drain	316 Stainless Steel
Element Holder	Acetal
Filter Element	Polyethylene
Seals	Fluorocarbon



Dimensions

Models	Inches (mm)	A	A ₁	B	C	D	E	F
Miniature Unit SF2-04-XXXX		2.38 (60)	2.50 (64)	1.75 (44)	0.56 (14)	5.00 (127)	5.56 (141)	2.12 (54)

= "Most Popular"

SF2 Filter Kits & Accessories

Drain Kit –

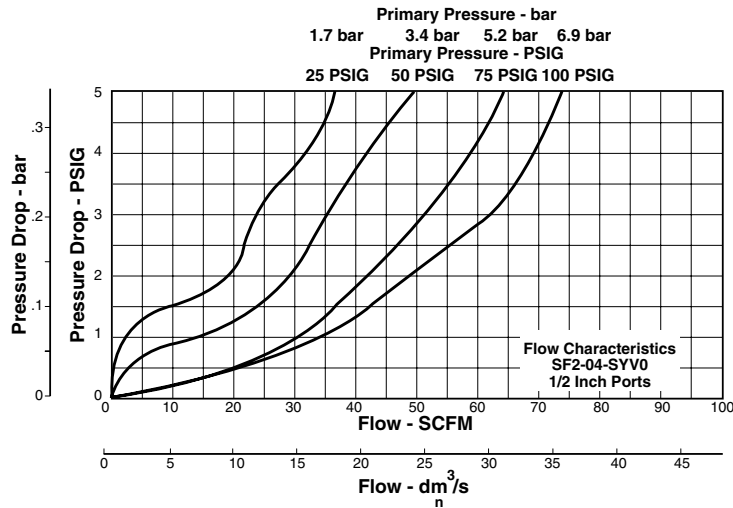
- Automatic Drain SRP-96-007
- Manual Drain SRP-96-008

Filter Element Kits –

- Particulate (40 Micron) SRP-96-004
- Particulate (5 Micron) SRP-96-003

Liquid Level Sight Gauge Kit SRP-96-026

Pipe Nipple – 1/2" 316 Stainless Steel SRP-96-010



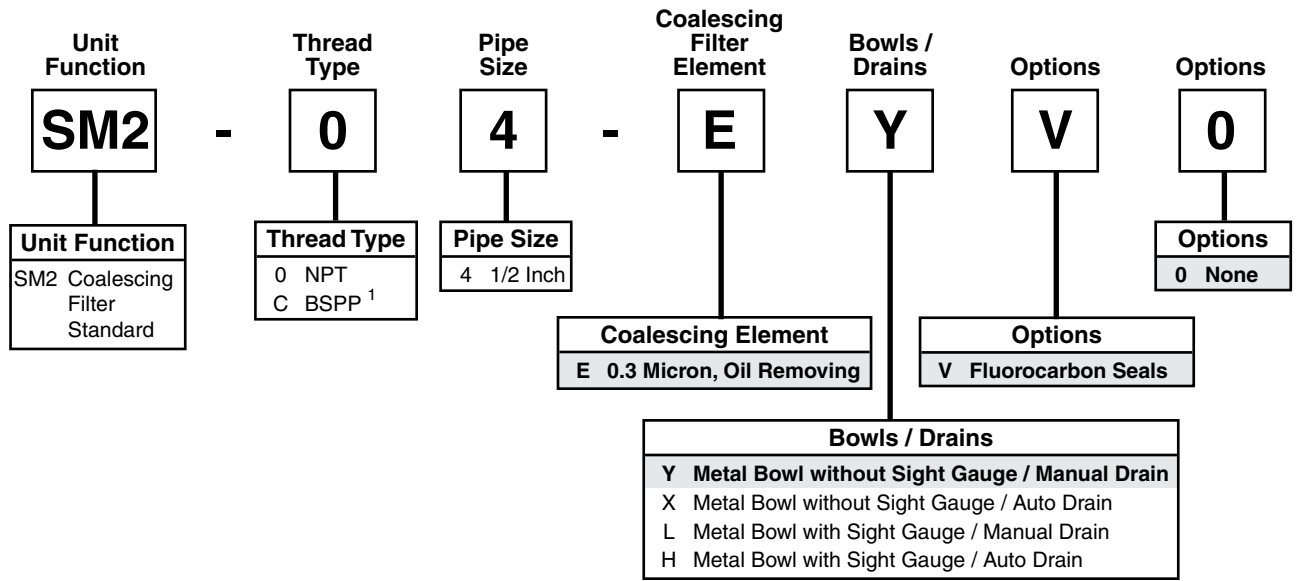
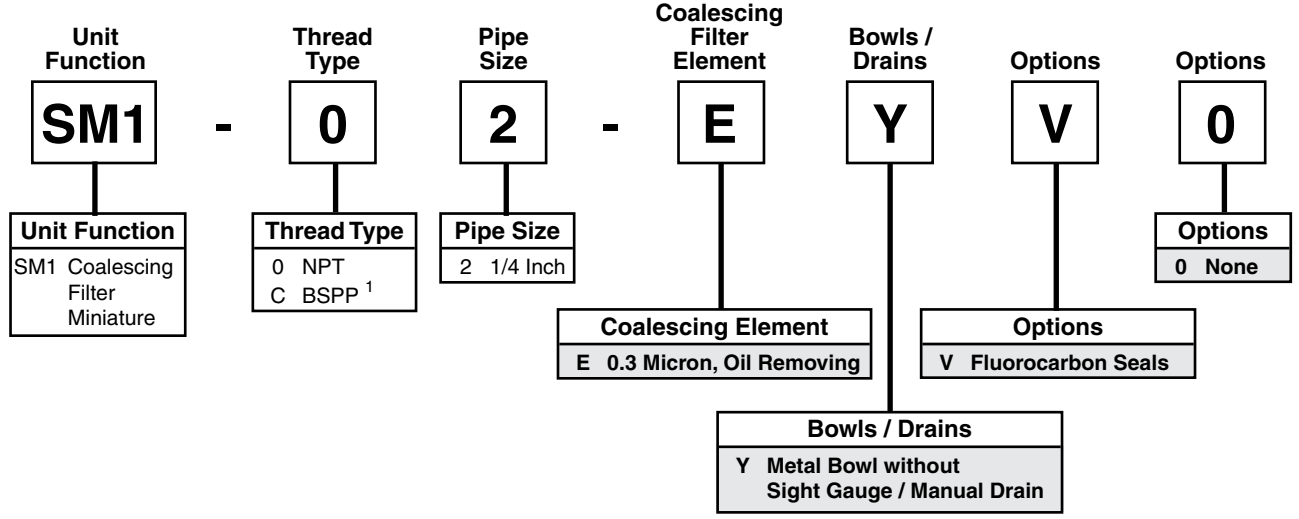
Ordering Information

Model Type	Port Size	Model Number	Model Number
Manual Drain	1/2	SF2-04-SYV0	—
Automatic Drain	1/2	—	SF2-04-SXV0

Options - To order an option supplied with the unit model, add the appropriate coded suffix letter in the designated position of the model number.

Notes

Coalescing Filter Numbering System = "Most Popular"



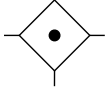
¹ ISO, R228 (G Series)

Note: When selecting from the options columns, please enter letters in alphabetical order for positions 7, 8, and 9. For example:

SM1 - 0 2 - E Y V 0



Coalescing Filter – Miniature SM1



SM1-02-EYV0

Features

- Stainless Steel Construction Handles Most Corrosive Environments
- Meets NACE Specifications
- High Flow: 1/4" – 16 SCFM

= "Most Popular"

Specifications

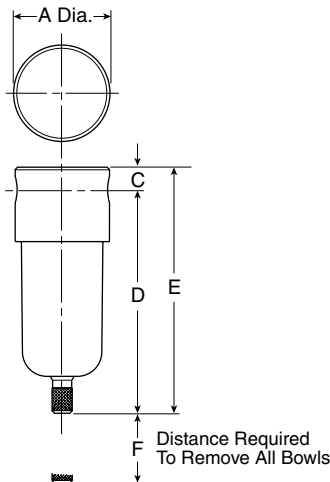
Flow Capacity*	Port Size	0.3 Micron 16 SCFM
Bowl Capacity		1.0 Ounces
Filter Rating		0.3 Micron
Port Threads		1/4 Inch
Pressure & Temperature Ratings		0 to 300 PSIG (0 to 20.7 bar) 40°F to 180°F (4°C to 82°C)
Useful Retention**		0.4 Ounce
Weight		0.6 lb. (0.27 kg)

* Inlet pressure 90 PSIG (6.2 bar) and 5 PSID (0.3 bar) pressure drop.

** Useful Retention refers to volume below the quiet zone baffle.

Materials of Construction

Body	316 Stainless Steel
Bowl	316 Stainless Steel
Drain (Manual)	316 Stainless Steel
Element Holder	Acetal
Filter Element	Borosilicate Fiber
Seals	Fluorocarbon



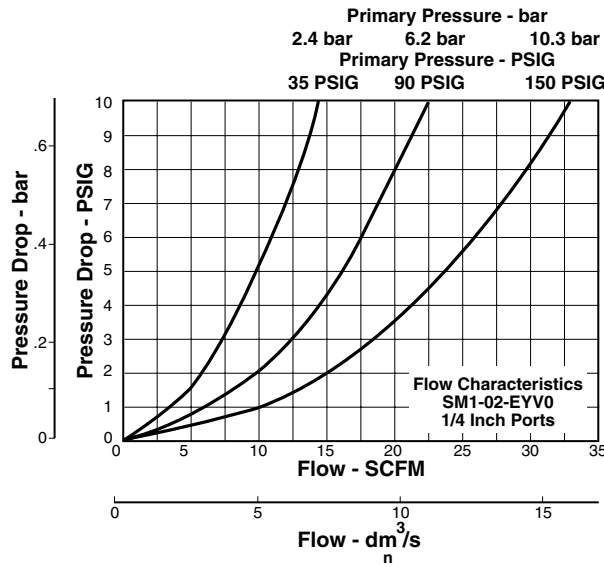
Dimensions

Models	Inches (mm)	A	C	D	E	F
Miniature Unit SM1-02-XXXX		1.57 (40)	0.31 (8)	3.69 (94)	4.00 (102)	1.58 (40)

= "Most Popular"

SM1 Filter Kits & Accessories

- Filter Element Kits – 0.3 Micron..... SRP-96-005
- Manual Drain SRP-96-008
- Pipe Nipple – 1/4" 316 Stainless Steel SRP-96-009



Ordering Information

Model Type	Port Size	Model Number
Manual Drain	1/4	SM1-02-EYV0

Options - To order an option supplied with the unit model, add the appropriate coded suffix letter in the designated position of the model number.

Coalescing Filter – Standard SM2

= "Most Popular"



SM2-04-EYV0

Features

- Stainless Steel Construction Handles Most Corrosive Environments
- Meets NACE Specifications
- High Flow: 1/2" – 45 SCFM

Specifications

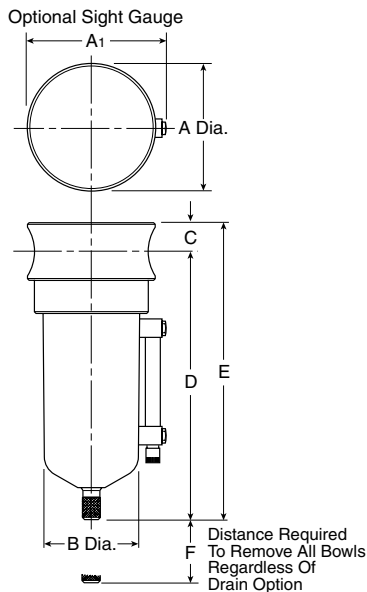
Flow Capacity*	Port Size	0.3 Micron 46 SCFM
Bowl Capacity		4.0 Ounces
Filter Rating		0.3 Micron
Port Threads		1/2 Inch
Pressure & Temperature Ratings –		
Manual Drain –		0 to 300 PSIG (0 to 20.7 bar) 40°F to 180°F (4°C to 82°C)
Automatic Drain –		0 to 175 PSIG (0 to 12 bar) 40°F to 120°F (4°C to 49°C)
Useful Retention**		1.7 Ounce
Weight		1.9 lb. (0.85 kg)

* Inlet pressure 90 PSIG (6.2 bar) and 5 PSID (0.3 bar) pressure drop.

**Useful Retention refers to volume below the quiet zone baffle.

Materials of Construction

Body	316 Stainless Steel
Bowl	316 Stainless Steel
Drain	316 Stainless Steel
Element Holder	Acetal
Filter Element	Borosilicate Fiber
Seals	Fluorocarbon



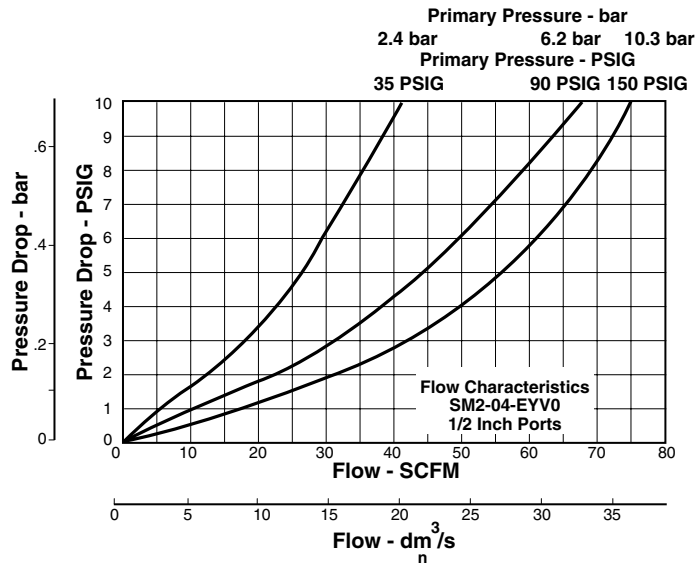
Dimensions

Models	Inches (mm)	A	A ₁	B	C	D	E	F
Miniature Unit SM2-04-XXXX		2.38 (60)	2.50 (64)	1.75 (44)	0.56 (14)	5.00 (127)	5.56 (141)	2.12 (54)

= "Most Popular"

SM2 Filter Kits & Accessories

- Drain Kit –
 - Automatic Drain SRP-96-007
 - Manual Drain SRP-96-008
- Filter Element Kits – 0.3 Micron..... SRP-96-006
- Liquid Level Sight Gauge Kit SRP-96-026
- Pipe Nipple – 1/2" 316 Stainless Steel.....SRP-96-010



Ordering Information

Model Type	Port Size	Model Number	Model Number
Manual Drain	1/2	SM2-04-EYV0	—
Automatic Drain	1/2	—	SM2-04-EXV0

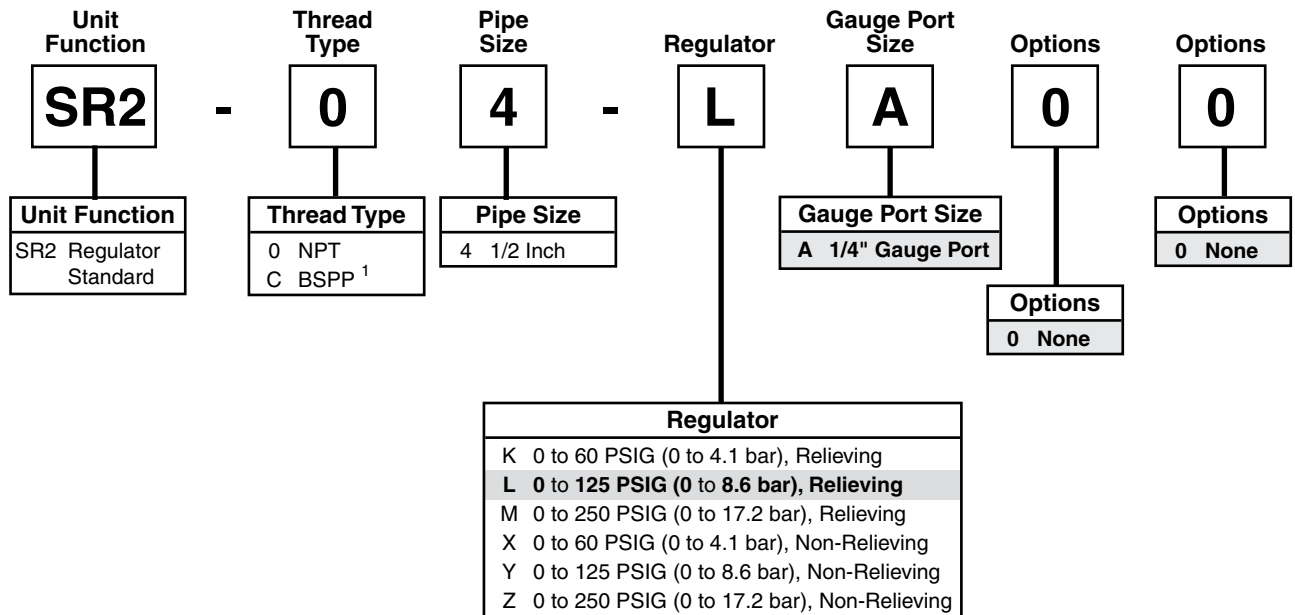
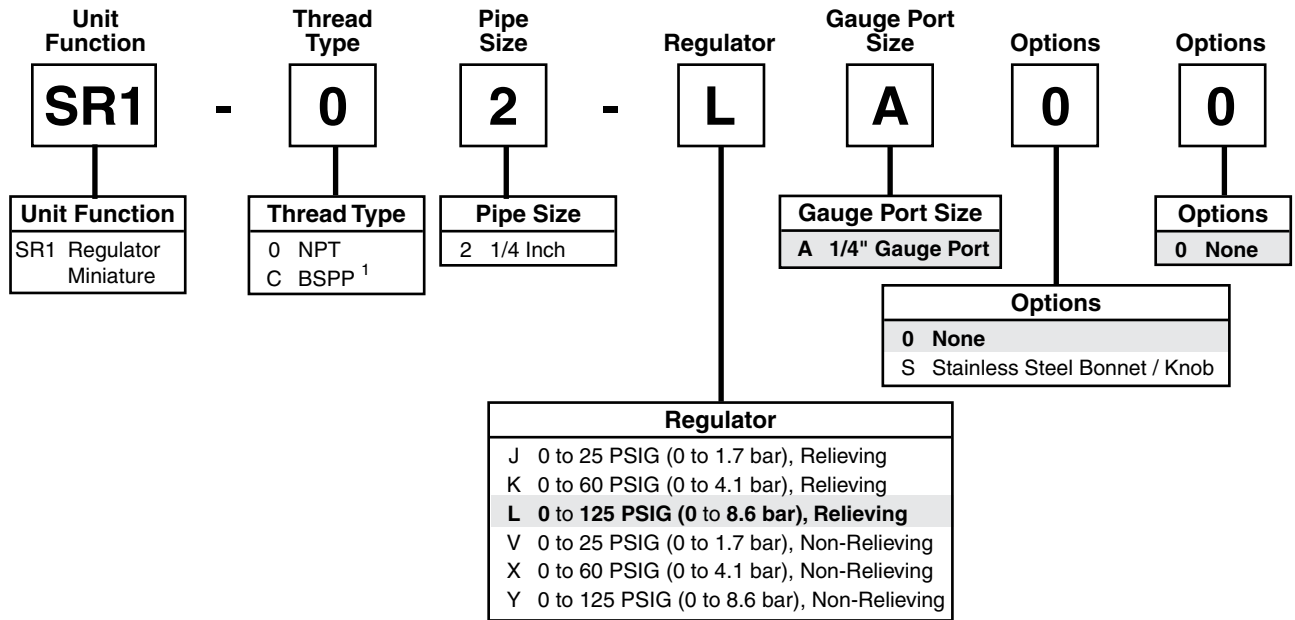
Options - To order an option supplied with the unit model, add the appropriate coded suffix letter in the designated position of the model number.



Notes

Regulator Numbering System

= "Most Popular"



¹ ISO, R228 (G Series)

Note: When selecting from the options columns, please enter letters in alphabetical order for positions 7, 8, and 9. For example:

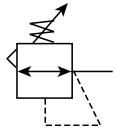
SR1 - 0 2 - L A 0 0



Regulator – Miniature

SR1

 = "Most Popular"



SR1-02-LA00



SR1-02-LAS0

Features

- Stainless Steel Construction Handles Most Corrosive Environments
- Large Diaphragm to Valve Area Ratio for Precise Regulation and High Flow Capacity
- Meets NACE Specifications
- High Flow: 1/4" – 12 SCFM

Specifications

Flow Capacity*	Port Size	12 SCFM
	1/4	
Gauge Port		1/4 Inch
Port Threads		1/4 Inch
Pressure & Temperature Ratings –		300 PSIG Max (20.7 bar) 40°F to 150°F (4°C to 66°C)
Weight		0.5 lb. (0.23 kg)

* Inlet pressure 100 PSIG (6.9 bar) and 75 PSIG (5.2 bar) no flow secondary setting and 25% pressure drop.

Materials of Construction

Body	316 Stainless Steel
Bonnet	Acetal
Diaphragm and Seals	Fluorocarbon
Knob	Polypropylene
Springs	316 Stainless Steel
Valve Assembly and Bottom Plug	316 Stainless Steel

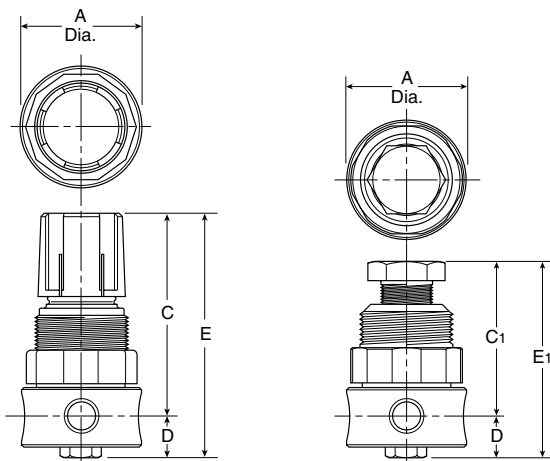
⚠ WARNING

**Product rupture can cause serious injury.
Do not connect regulator to bottled gas.
Do not exceed maximum primary pressure rating.**

CAUTION:

REGULATOR PRESSURE ADJUSTMENT – The working range of knob adjustment is designed to permit outlet pressures within their full range. Pressure adjustment beyond this range is also possible because the knob is not a limiting device. This is a common characteristic of most industrial regulators, and limiting devices may be obtained only by special design.

For best performance, regulated pressure should always be set by increasing the pressure up to the desired setting.



Dimensions

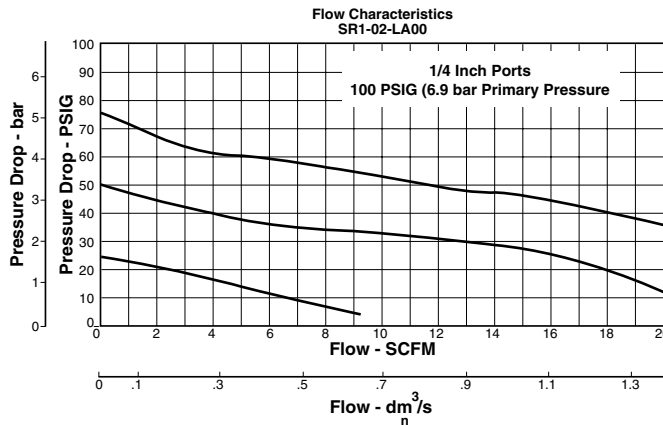
Models	Inches (mm)	A	C	C ₁	D	E	E ₁
Miniature Unit SR1-02-XXXX		1.56 (40)	2.56 (65)	2.17 (55)	0.50 (13)	3.06 (78)	2.67 (68)

= “Most Popular”

SR1 Regulator Kits & Accessories

- Bonnet Kit (Black Knob Included)**SRP-96-017
- Gauge – 0 to 160 PSIG (0 to 11.3 bar)**.....K4515N14160SS
- Panel Mount Nut**SRP-96-019
- Pipe Nipple – 1/4" 316 Stainless Steel**..... SRP-96-009
- Service Kit –**
 - RelievingSRP-96-013
 - Non-RelievingSRP-96-014

Note: Order pressure gauge and panel mount nut separately.
Note: 1.19" dia. (30.2 mm) hole required for panel mounting (order panel nut separately).

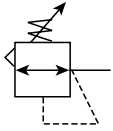


Ordering Information

Model Type	Port Size	0 to 125 PSIG (0 to 8.6 bar)	0 to 25 PSIG (0 to 1.7 bar)	0 to 60 PSIG (0 to 4.1 bar)
Relieving	1/4	SR1-02-LA00	SR1-02-JA00	SR1-02-KA00
Non-Relieving	1/4	SR1-02-YA00	SR1-02-VA00	SR1-02-XA00

Options - To order an option supplied with the unit model, add the appropriate coded suffix letter in the designated position of the model number.

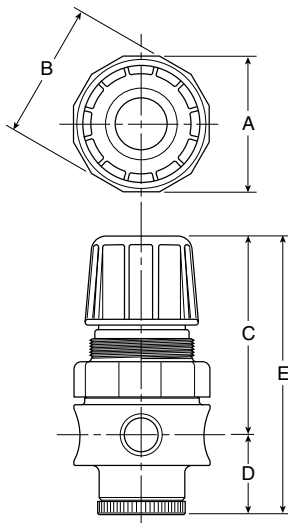
Regulator – Standard SR2



SR2-04-LA00

Features

- Stainless Steel Construction Handles Most Corrosive Environments
- Large Diaphragm to Valve Area Ratio for Precise Regulation and High Flow Capacity
- Meets NACE Specifications
- High Flow: 1/2" – 80 SCFM



Dimensions

Models	Inches (mm)	A	B	C	D	E
Miniature Unit SR2-04-XXXX		2.34 (60)	2.43 (62)	3.59 (91)	1.38 (35)	4.97 (126)

= "Most Popular"

Specifications

Flow Capacity*	Port Size	80 SCFM
	1/2	
Gauge Port		1/4 Inch
Port Threads		1/2 Inch
Pressure & Temperature Ratings –		300 PSIG Max (20.7 bar) 40°F to 150°F (4°C to 66°C)
Weight		1.79 lb. (0.81 kg)

* Inlet pressure 100 PSIG (6.9 bar) and 75 PSIG (5.2 bar) no flow secondary setting and 25% pressure drop.

Materials of Construction

Body	316 Stainless Steel
Bonnet	Acetal
Diaphragm and Seals	Fluorocarbon
Knob	Polypropylene
Springs	316 Stainless Steel
Valve Assembly and Bottom Plug	316 Stainless Steel

WARNING

**Product rupture can cause serious injury.
Do not connect regulator to bottled gas.
Do not exceed maximum primary pressure rating.**

CAUTION:

REGULATOR PRESSURE ADJUSTMENT – The working range of knob adjustment is designed to permit outlet pressures within their full range. Pressure adjustment beyond this range is also possible because the knob is not a limiting device. This is a common characteristic of most industrial regulators, and limiting devices may be obtained only by special design.

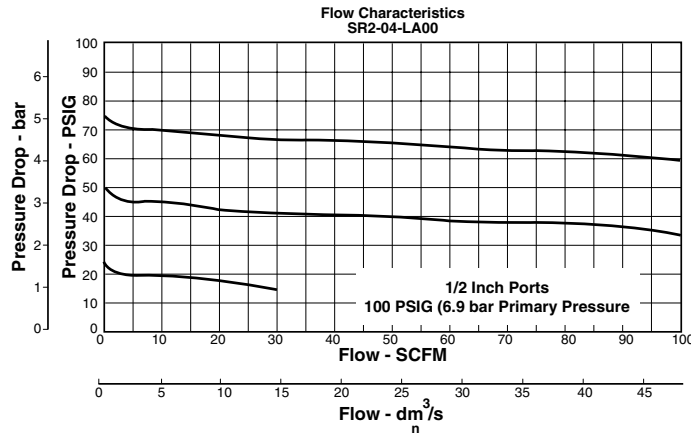
For best performance, regulated pressure should always be set by increasing the pressure up to the desired setting.

= "Most Popular"

SR2 Regulator Kits & Accessories

- Bonnet Kit (Knob Included)SRP-96-018
- Gauge – 0 to 160 PSIG (0 to 11.3 bar)..... K4520N14160SS
- Panel Mount Nut SRP-96-020
- Pipe Nipple – 1/2" 316 Stainless Steel.....SRP-96-010
- Service Kit –
 - RelievingSRP-96-011
 - Non-RelievingSRP-96-012

Note: Order pressure gauge and panel mount nut separately.
Note: 1.75" dia. (44.5 mm) hole required for panel mounting (order panel nut separately).



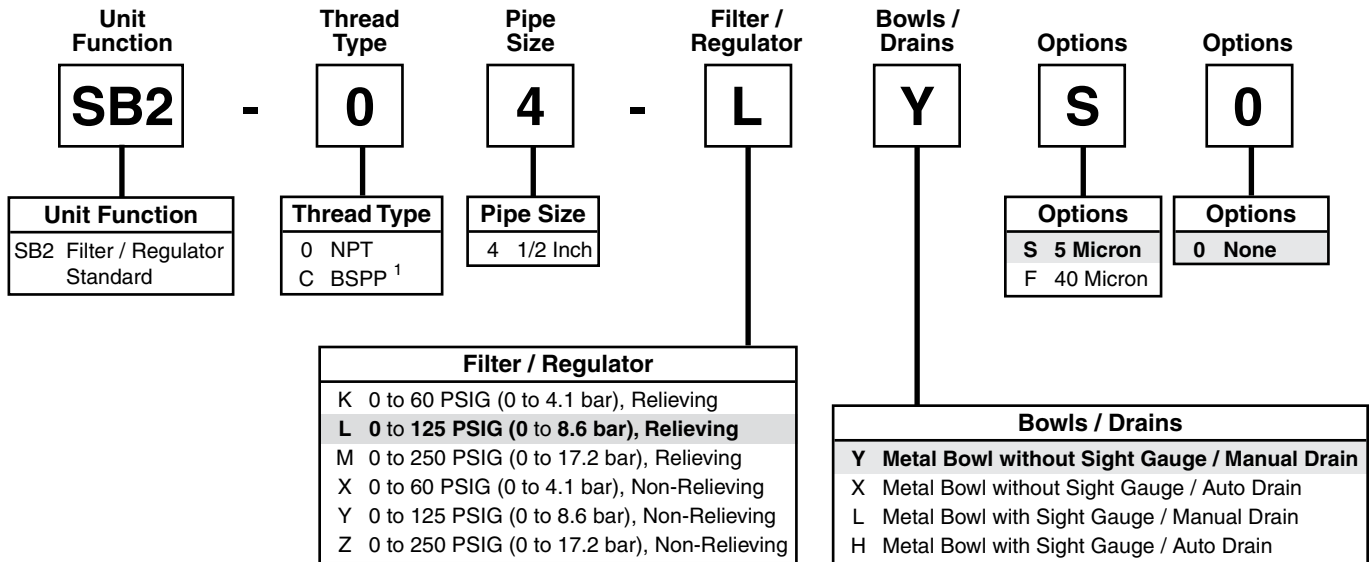
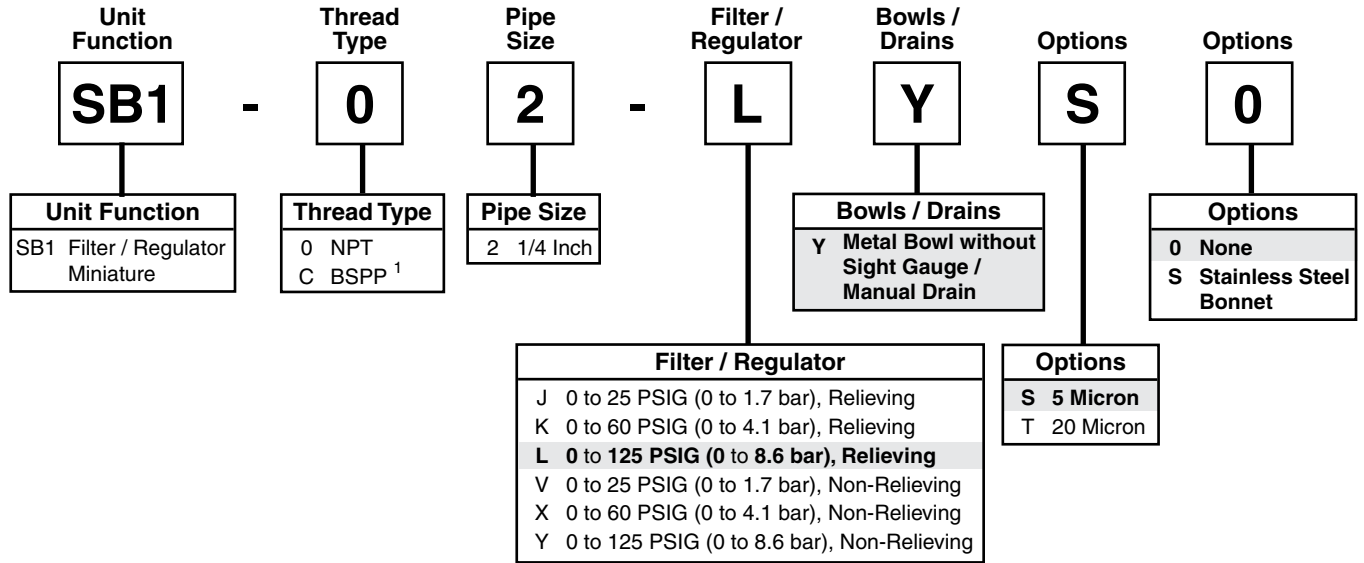
Ordering Information

Model Type	Port Size	0 to 125 PSIG (0 to 8.6 bar)	0 to 60 PSIG (0 to 4.1 bar)	0 to 250 PSIG (0 to 17.2 bar)
Relieving	1/2	SR2-04-LA00	SR2-04-KA00	SR2-04-MA00
Non-Relieving	1/2	SR2-04-YA00	SR2-04-XA00	SR2-04-ZA00

Options - To order an option supplied with the unit model, add the appropriate coded suffix letter in the designated position of the model number.

Notes

Filter / Regulator Numbering System = "Most Popular"



¹ ISO, R228 (G Series)

"SB" Series Filters / Regulators, Type "A" 5 micron elements: All Wilkerson Type "A" 5 micron elements meet or exceed ISO Class 3 for maximum particle size and concentration of solid contaminants.

NOTE: All classes above refer to International Standards Organization (ISO) standard 8573-1, pertaining to maximum particle size and concentration of solid contaminants, and maximum oil content.

Note: When selecting from the options columns, please enter letters in alphabetical order for positions 7, 8, and 9. For example:

SB1 - 0 2 - L Y S 0



Filter / Regulator – Miniature SB1

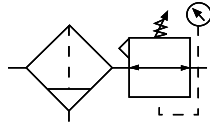
= "Most Popular"



SB1-02-LYS0



SB1-02-LYSS



Specifications

Flow Capacity*	Port Size	5 Micron 12 SCFM
Bowl Capacity		1.0 Ounces
Filter Rating		5 Micron
Gauge Port		1/4 Inch
Port Threads		1/4 Inch
Pressure & Temperature Ratings –		300 PSIG Max (20.7 bar) 40°F to 150°F (4°C to 66°C)
Useful Retention **		0.4 Ounce
Weight		0.8 lb. (0.36 kg)

* Inlet pressure 100 PSIG (6.9 bar) and 75 PSIG (5.2 bar) no flow secondary setting and 25% pressure drop.

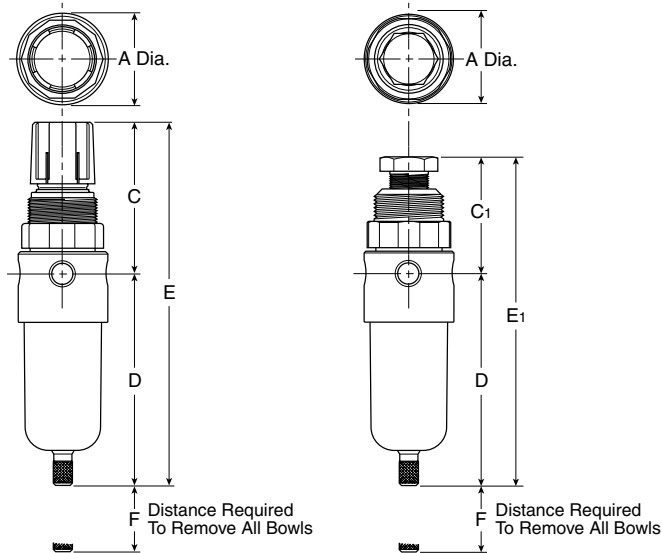
**Useful Retention refers to volume below the quiet zone baffle.

Materials of Construction

Body	316 Stainless Steel
Bowl	316 Stainless Steel
Diaphragm and Seals	Fluorocarbon
Drain	316 Stainless Steel
Element Holder / Deflector / Bonnet	Acetal
Filter Elements (Type A)	Polyethylene
Knob	Polypropylene
Springs	316 Stainless Steel
Valve Assembly and Bottom Plug	316 Stainless Steel

Features

- Stainless Steel Construction Handles Most Corrosive Environments
- Large Diaphragm to Valve Area Ratio for Precise Regulation and High Flow Capacity
- Meets NACE Specifications
- High Flow: 1/4" – 12 SCFM



⚠ WARNING

**Product rupture can cause serious injury.
Do not connect regulator to bottled gas.
Do not exceed maximum primary pressure rating.**

CAUTION:

REGULATOR PRESSURE ADJUSTMENT – The working range of knob adjustment is designed to permit outlet pressures within their full range. Pressure adjustment beyond this range is also possible because the knob is not a limiting device. This is a common characteristic of most industrial regulators, and limiting devices may be obtained only by special design.

For best performance, regulated pressure should always be set by increasing the pressure up to the desired setting.

Dimensions

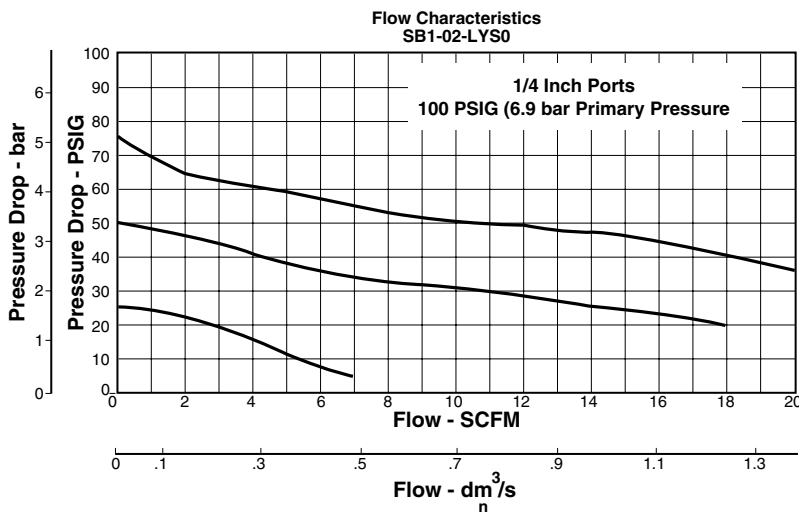
Models	Inches (mm)	A	C	C ₁	D	E	E ₁	F
Miniature Unit SB1-02-XXXX		1.56 (40)	2.63 (67)	2.17 (55)	3.63 (92)	6.25 (159)	5.80 (147)	1.58 (40)

 = "Most Popular"

SB1 Regulator Kits & Accessories

- Bonnet Kit (Black Knob Included)SRP-96-017
- Filter Element Kits –
 - Particulate (5 Micron) SRP-96-001
 - Particulate (20 Micron)..... SRP-96-002
- Gauge – 0 to 160 PSIG (0 to 11.3 bar).....K4515N14160SS
- Manual Drain SRP-96-008
- Panel Mount NutSRP-96-019
- Pipe Nipple – 1/4" 316 Stainless Steel SRP-96-009
- Service Kit –
 - RelievingSRP-96-015
 - Non-RelievingSRP-96-016

Note: Order pressure gauge and panel mount nut separately.
Note: 1.19" dia. (30.2 mm) hole required for panel mounting (order panel nut separately).



Ordering Information

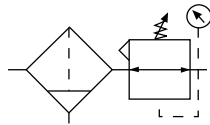
Model Type	Port Size	0 to 125 PSIG (0 to 8.6 bar)	0 to 25 PSIG (0 to 1.7 bar)	0 to 60 PSIG (0 to 4.1 bar)
Relieving	1/4	SB1-02-LYS0	SB1-02-JYS0	SB1-02-KYS0
Non-Relieving	1/4	SB1-02-YYS0	SB1-02-VYS0	SB1-02-XYS0

Options - To order an option supplied with the unit model, add the appropriate coded suffix letter in the designated position of the model number.



Filter / Regulator – Standard SB2

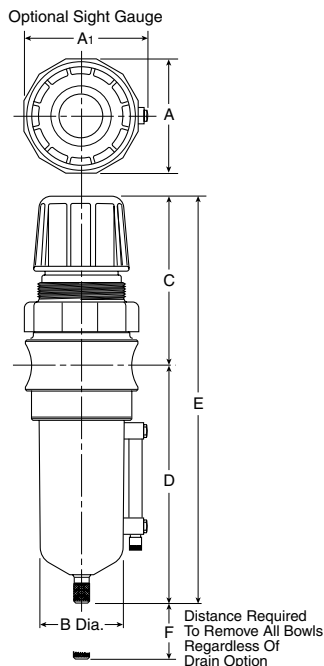
= “Most Popular”



SB2-04-LYS0

Features

- Stainless Steel Construction Handles Most Corrosive Environments
- Large Diaphragm to Valve Area Ratio for Precise Regulation and High Flow Capacity
- Meets NACE Specifications
- High Flow: 1/2" – 72 SCFM



Specifications

Flow Capacity*	Port Size	5 Micron
	1/2	72 SCFM
Bowl Capacity		4.0 Ounces
Filter Rating		5 Micron
Gauge Port		1/4 Inch
Port Threads		1/2 Inch
Pressure & Temperature Ratings –		300 PSIG Max (20.7 bar)
		40°F to 150°F (4°C to 66°C)†
Useful Retention **		1.7 Ounce
Weight		2.42 lb. (1.09 kg)

* Inlet pressure 100 PSIG (6.9 bar) and 75 PSIG (5.2 bar) no flow secondary setting and 25% pressure drop.
 ** Useful Retention refers to volume below the quiet zone baffle.
 † With Automatic Drain, max temp is 120°F (49°C) and pressure range is 15 to 175 PSIG (to 12 bar)

Materials of Construction

Body	316 Stainless Steel
Bowl	316 Stainless Steel
Diaphragm and Seals	Fluorocarbon
Drain	316 Stainless Steel
Element Holder / Deflector / Bonnet	Acetal
Filter Elements (Type A)	Polyethylene
Knob	Polypropylene
Springs	316 Stainless Steel
Valve Assembly and Bottom Plug	316 Stainless Steel

⚠ WARNING

**Product rupture can cause serious injury.
Do not connect regulator to bottled gas.
Do not exceed maximum primary pressure rating.**

CAUTION:

REGULATOR PRESSURE ADJUSTMENT – The working range of knob adjustment is designed to permit outlet pressures within their full range. Pressure adjustment beyond this range is also possible because the knob is not a limiting device. This is a common characteristic of most industrial regulators, and limiting devices may be obtained only by special design.

For best performance, regulated pressure should always be set by increasing the pressure up to the desired setting.

Dimensions

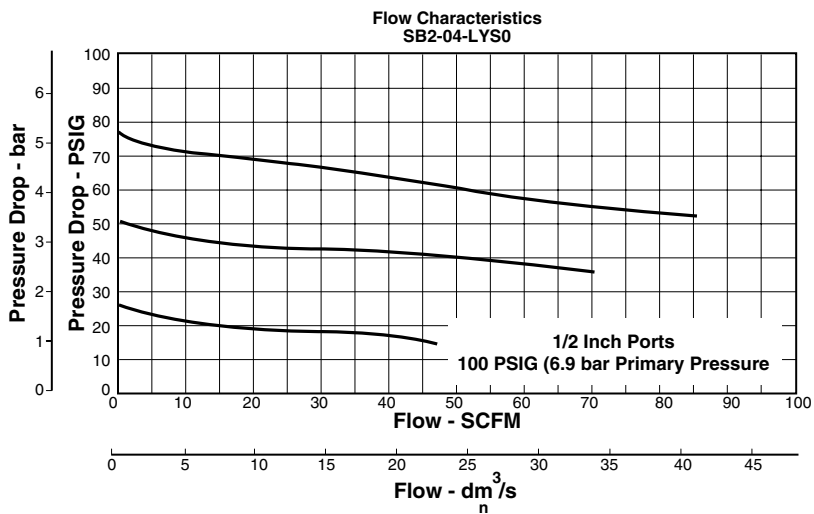
Models	Inches (mm)	A	A1	B	C	D	E	F
Miniature Unit SB2-04-XXXX		2.36 (60)	2.50 (64)	1.75 (44)	3.59 (91)	5.00 (127)	8.59 (218)	2.12 (54)

= "Most Popular"

SB2 Regulator Kits & Accessories

- Automatic Drain SRP-96-007
- Bonnet Kit (Knob Included)SRP-96-018
- Filter Element Kits –
 - Particulate (5 Micron)..... SRP-96-003
 - Particulate (40 Micron)..... SRP-96-004
- Gauge – 0 to 160 PSIG (0 to 11.3 bar)..... K4520N14160SS
- Liquid Level Sight Gauge Kit SRP-96-026
- Manual Drain SRP-96-008
- Panel Mount Nut SRP-96-020
- Pipe Nipple – 1/2" 316 Stainless Steel.....SRP-96-010
- Service Kit –
 - Relieving.....SRP-96-011
 - Non-Relieving.....SRP-96-012

Note: Order pressure gauge and panel mount nut separately.
Note: 1.75" dia. (44.5 mm) hole required for panel mounting (order panel nut separately).



Ordering Information

Model Type	Port Size	0 to 125 PSIG (0 to 8.6 bar)	0 to 60 PSIG (0 to 4.1 bar)	0 to 250 PSIG (0 to 17.2 bar)
Relieving	1/2	SB2-04-LYS0	SB2-04-KYS0	SB2-04-MYS0
Non-Relieving	1/2	SB2-04- YYS0	SB2-04- XYS0	SB2-04- ZYS0

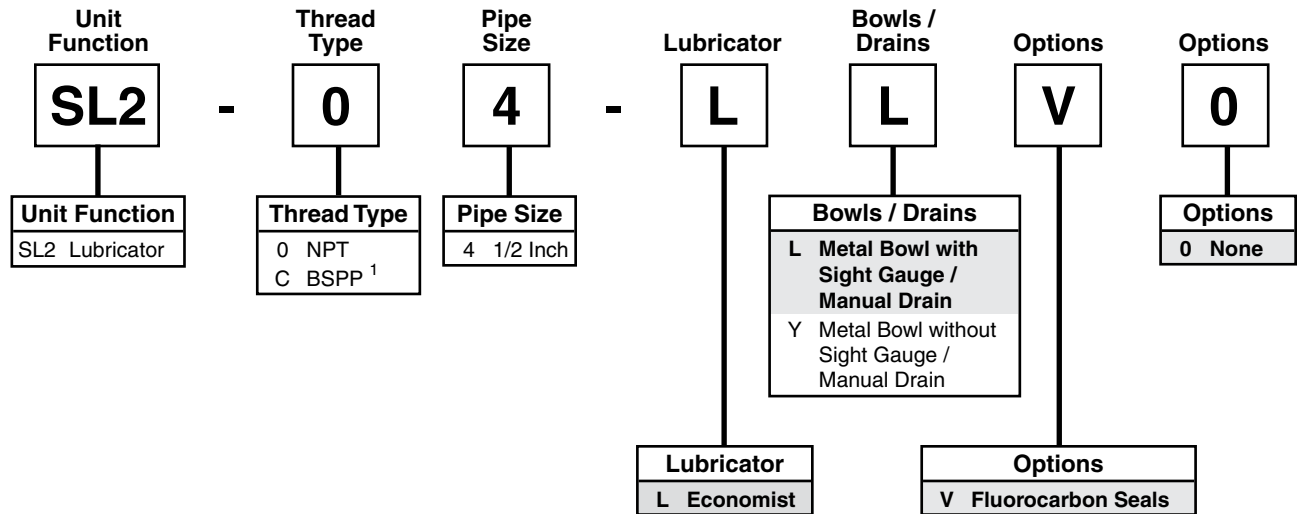
Options - To order an option supplied with the unit model, add the appropriate coded suffix letter in the designated position of the model number.



Notes

Lubricator Numbering System

= "Most Popular"



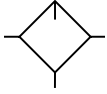
¹ ISO, R228 (G Series)

Note: When selecting from the options columns, please enter letters in alphabetical order for positions 7, 8, and 9. For example:

SL2 - 0 2 - L L V 0



Lubricator – Standard SL2



SL2-04-LLV0

Features

- Stainless Steel Construction Handles Most Corrosive Environments
- Meets NACE Specifications
- High Flow: 1/2" – 100 SCFM

Specifications

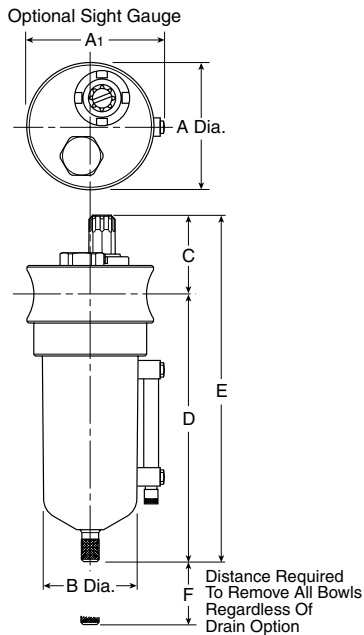
Flow Capacity*	Port Size	100 SCFM
	1/2	
Bowl Capacity		4.0 Ounces
Port Threads		1/2 Inch
Pressure & Temperature Ratings –		
		0 to 300 PSIG (0 to 20.7 bar)
		40°F to 150°F (4°C to 66°C)
Useful Retention **		4 Ounces
Weight		1.9 lb. (0.85 kg)

* Inlet pressure 90 PSIG (6.2 bar) and 5 PSID (0.3 bar) pressure drop.

** Useful Retention refers to volume below the quiet zone baffle.

Materials of Construction

Body	316 Stainless Steel
Bowl	316 Stainless Steel
Drain (Manual)	316 Stainless Steel
Seals	Fluorocarbon
Sight Dome	Nylon

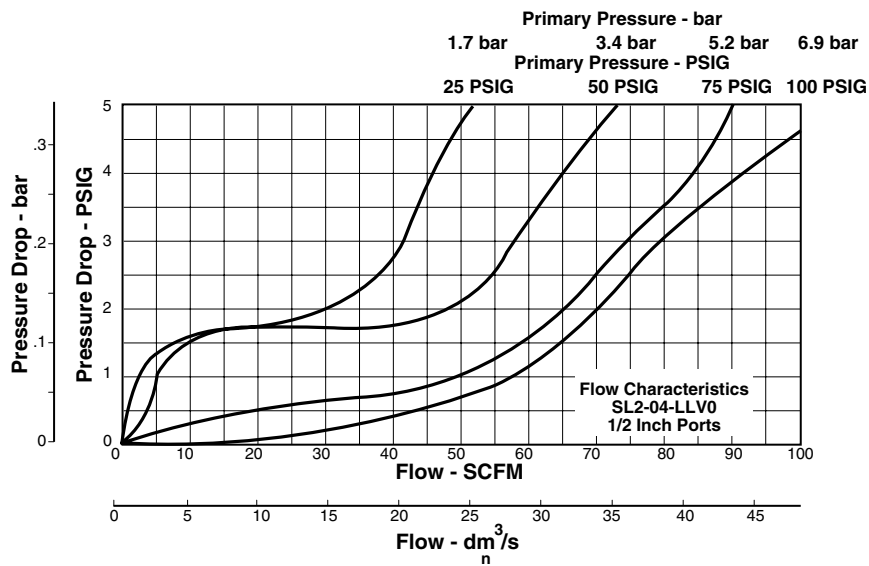


Dimensions

Models	Inches (mm)	A	A1	B	C	D	E	F
Miniature Unit SL2-04-XXXX		2.36 (60)	2.50 (64)	1.75 (44)	1.81 (46)	5.00 (127)	6.81 (173)	3.50 (89)

SL2 Filter Kits & Accessories

- Drain Kit – Manual Drain..... SRP-96-008
- Liquid Level Sight and Gauge Kit SRP-96-026
- Pipe Nipple – 1/2" 316 Stainless Steel.....SRP-96-010
- Sight Dome / Metering Screw Kit SRP-96-025



Ordering Information

Model Type	Port Size	Model Number
Manual Drain	1/2	SL2-04-LLV0

Options - To order an option supplied with the unit model, add the appropriate coded suffix letter in the designated position of the model number.

Notes

 = "Most Popular"



Additional Compressed Air Treatment Products

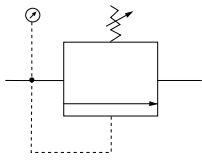
Diaphragm Relief Valve	
X11	3
Exhaust Mufflers	
F23	4
F33	5
XMC.....	6
Liquid Separators	
WSA / WS0.....	8
External Drains	
X01	10
XB3 / X02.....	12
X51	14
Automatic Electrical Drains	
WDV3-G	16
WDV2	17
WDV4	18



Notes

Diaphragm Relief Valve X11

= "Most Popular"



X11-02-000

Diaphragm Relief Valve

Relieving pressure is adjustable with 1/4" NPT inlet / outlet ports and two 1/8" gauge ports. It can be used where pressure relief is desired to protect circuits and components and provide close, but not precise control, and can also be used for venting applications.

Specifications

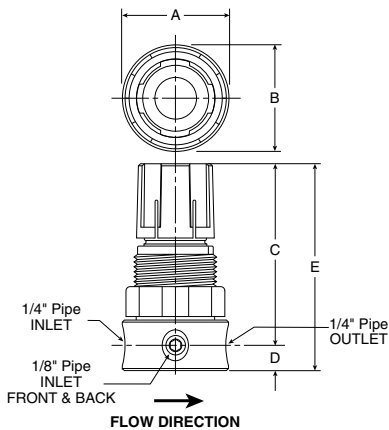
Adjusting Range Pressure	0 to 50 PSIG (0 to 3.4 bar) 0 to 100 PSIG (0 to 6.8 bar)	
Maximum Supply Pressure	300 PSIG (20.7 bar)	
Operating Temperature	40° to 120°F (4° to 49°C)	
Port Size		
Inlet	NPT	1/4
Outlet	NPT	1/4
Weight	lb. (kg)	0.5 (0.23)

Materials of Construction

Adjusting Knob	Polypropylene
Adjusting Screw	Zinc-plated Steel
Body	Brass
Bonnet	Acetal
Diaphragm / Disc	Buna-N
Nut	Chromated Steel
Spring	Zinc-plated Steel

Accessories

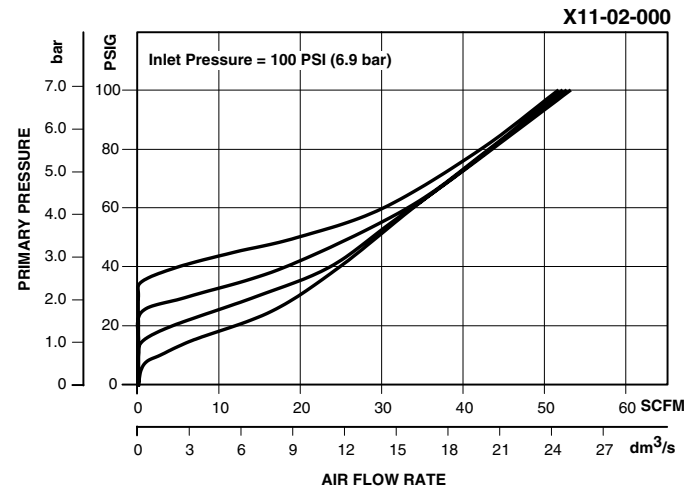
Nut, Panel Mount (Plastic)R05X51



NOTE: 1.25" Dia. (32 mm) hole required for panel nut mounting

Dimensions

Models	Inches (mm)	A	B	C	D	E
Standard Unit (100 PSI) X11-02-000		1.62 (41)	1.62 (41)	2.66 (67)	0.375 (9.5)	3.00 (76)
Low Pressure Unit (50 PSI) X11-02-L00		1.62 (41)	1.62 (41)	2.66 (67)	0.375 (9.5)	3.00 (76)



⚠ WARNING

**Product rupture can cause serious injury.
Do not connect regulator to bottled gas.
Do not exceed maximum primary pressure rating.**

Exhaust Muffler F23



F23-04-000

Exhaust Muffler Units

Part of an OSHA requirement is to keep sustained noise levels within acceptable specifications: 90 decibels (dBA) or less. Wilkerson's mufflers and oil reclassifiers keep these objectionable exhaust noises (air motors, control valves, etc.) within the OSHA specifications.

These units have only one inlet port.

The contaminants in the exhaust flow are mechanically separated and twice filtered to 5 micron levels. The clean, muffled exhaust flows out of the unit under the metal hood on top.

Features:

- 5 Micron Rated Reusable Elements
- Quick-Disconnect Clamp Ring for Easy Bowl Removal
- Low-Pressure Drop (Back Pressure)
- Removes Oily Aerosols from Exhaust Flows
- Transparent Bowls with Metal Bowl Guards Standard

Replacement Bowl Kits

- Metal Bowl Guard, (for Plastic Bowl) GRP-95-804
- Metal Bowl, Brass Petcock FRP-95-612
- Metal Bowl / Sight Gauge, Brass Petcock GRP-95-613
- Plastic Bowl, Plastic Petcock Drain LRP-96-157
- Plastic Bowl / Bowl Guard, Plastic Petcock Drain. GRP-95-724

Replacement Element Kit

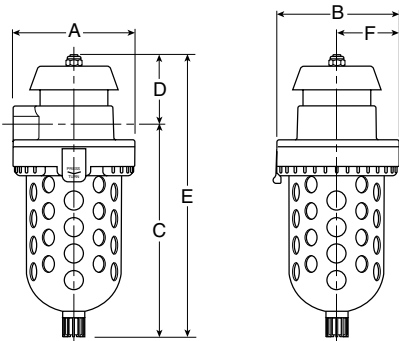
- Type A", 5 Micron (Upper & Lower Elements) FRP-95-169

Replacement Kits

- Clamp Ring Assembly GRP-95-154
- Manual Drain, Brass Petcock GRP-95-182
- O-ring, Bowl, Fluorocarbon (10 per kit) GRP-95-109
- O-ring, Bowl, Nitrile (10 per kit) GRP-95-257

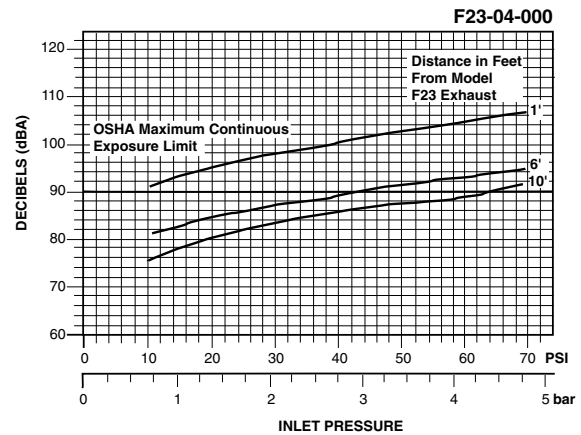
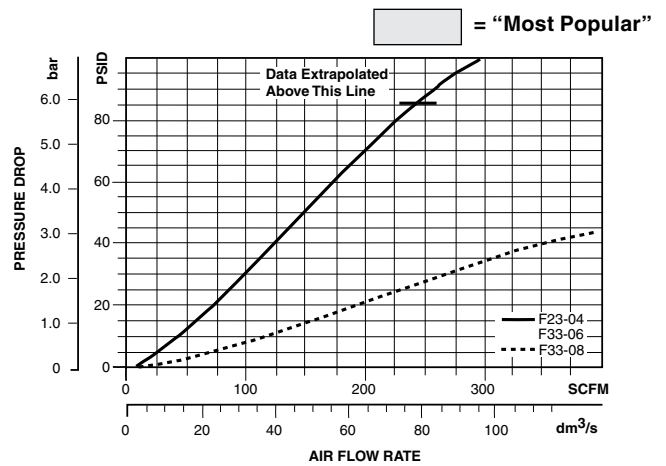
Accessories

- Wall Mounting Bracket, U-Bolt Pipe Clamp GRP-95-734



Dimensions

Models	Inches (mm)	A	B	C	D	E	F
Standard Unit F23-04-000		3.83 (97.5)	3.83 (97.5)	6.23 (158.2)	2.06 (52.3)	8.29 (210.6)	1.92 (48.8)



Specifications

Maximum Supply Pressure	150 PSIG (10.3 bar)
Operating Temperature	32° to 125°F (0° to 52°C)
Port Size	NPT / BSPP-G 1/2
Standard Filtration	Micron 5
Useful Retention*	oz. (cm ³) 3.2 (94.4)
Weight	lb. (kg) 3.12 (1.4)

* Useful retention refers to volume below the quiet zone baffle.

Materials of Construction

Baffle	Acetal
Body	Zinc
Bowls	Plastic Bowl Polycarbonate Metal Bowl Aluminum
Element Retainer	Steel Stud
Filter Element	Sintered Polyethylene
Shield	Steel
Stem	Steel

Exhaust Muffler F33

Exhaust Muffler Units

Part of an OSHA requirement is to keep sustained noise levels within acceptable specifications: 90 decibels (dBA) or less. Wilkerson's mufflers and oil reclassifiers keep these objectionable exhaust noises (air motors, control valves, etc.) within the OSHA specifications.

These units have only one inlet port. The contaminants in the exhaust flow are mechanically separated and twice filtered to 5 micron levels. The clean, muffled exhaust flows out of the unit under the metal hood on top.



F33-06-000

Features:

- 5 Micron Rated Reusable Elements
- Quick-Disconnect Clamp Ring for Easy Bowl Removal
- Low-Pressure Drop (Back Pressure)
- Removes Oily Aerosols from Exhaust Flows
- Transparent Bowls with Metal Bowl Guards Standard

Replacement Bowl Kits

- Metal Bowl Guard, (for Plastic Bowl)..... GRP-95-808
- Metal Bowl, Brass Petcock FRP-95-593
- Metal Bowl / Sight Gauge, Brass Petcock..... GRP-95-676
- Plastic Bowl, Plastic Petcock Drain LRP-96-160
- Plastic Bowl / Bowl Guard, Plastic Petcock Drain.. LRP-95-830

Replacement Element Kit

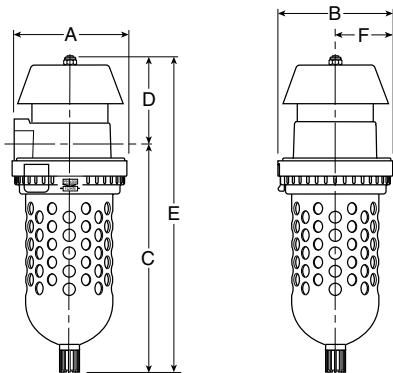
- Type "A", 5 Micron FRP-95-170

Replacement Kits

- Clamp Ring Assembly..... GRP-96-404
- Manual Drain, Brass Petcock GRP-95-182
- O-ring, Bowl, Fluorocarbon (10 per kit) GRP-95-942
- O-ring, Bowl, Nitrile (10 per kit) GRP-95-256

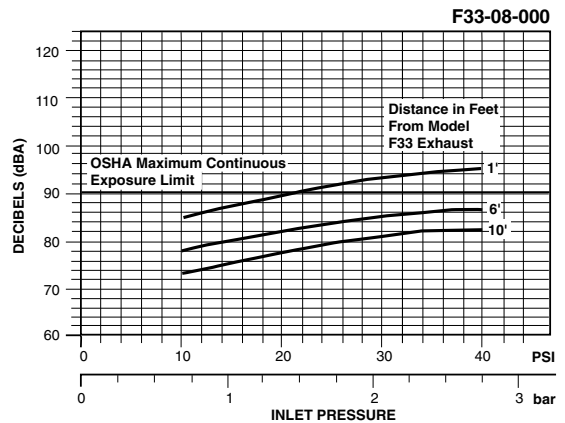
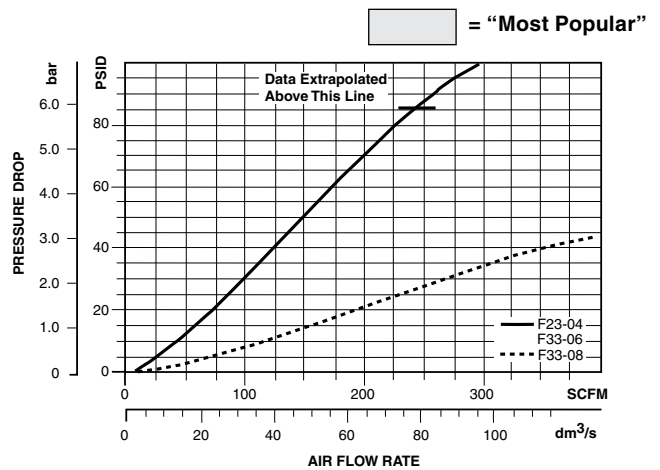
Accessories

- Wall Mounting Bracket, U-Bolt Pipe Clamp..... GRP-95-734



Dimensions

Models	Inches (mm)	A	B	C	D	E	F
Standard Unit F33-06-000 & F33-08-000		4.63 (117.6)	4.63 (117.6)	8.91 (226.3)	3.99 (98.6)	12.79 (324.9)	2.31 (58.7)



Specifications

Maximum Supply Pressure	150 PSIG (10.3 bar)
Operating Temperature	32° to 125°F (0° to 52°C)
Port Size	NPT / BSPP-G 3/4, 1
Standard Filtration	Micron 5
Useful Retention*	oz. (cm³) 1.14 (33.6)
Weight	lb. (kg) 6 (2.7)

* Useful retention refers to volume below the quiet zone baffle.

Materials of Construction

Baffle	Acetal
Body	Zinc
Bowls	Plastic Bowl Polycarbonate Metal Bowl Aluminum
Element Retainer	Steel Stud
Filter Element	Sintered Polyethylene
Shield	Steel
Stem	Steel



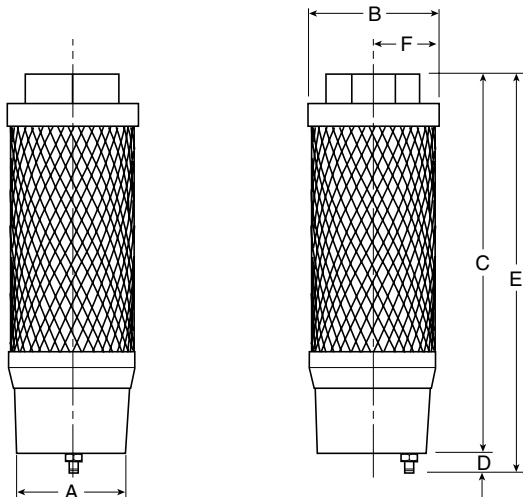
Exhaust Silencer Mist Eliminator XMC



XMC-08-000

Features

- Port Sizes 1/2", 1" and 1-1/2" NPT
- Liquid Sump with Manual Drain
- Corrosion Resistant Construction
- Compact and Easy to Install
- Low Cost
- Low Back Pressure
- High Density Durable Plastic End Caps



Dimensions

Models	Inches (mm)	Port Size	A	B	C	D	E	F
Standard Unit XMC-04-000		1/2	2.00 (51)	2.36 (60)	3.94 (100)	0.39 (10)	5.94 (150.9)	1.18 (30)
Standard Unit XMC-08-000		1	2.00 (51)	2.36 (60)	5.83 (148)	0.39 (10)	7.83 (198.9)	1.18 (30)
Standard Unit XMC-0B-000		1-1/2	3.00 (76)	3.42 (87)	8.19 (208)	0.42 (11)	11.19 (284)	— —

= "Most Popular"

Specifications

	XMC-04-000	XMC-08-000	XMC-0B-000
Air Flow @12 PSIG (0,8 bar)	65 SCFM (30.7 dm ³ /s)	110 SCFM (51.9 dm ³ /s)	200 SCFM (94.4 dm ³ /s)
Back Pressure			
Bowl Capacity	2.2 fl. oz.	5 fl. oz.	5 fl. oz.
C _v	5.5	9.3	16.9
Drain	Manual		
Oil Removal	99.9%		
Operating Temperature	36° to 122°F (2° to 50°C)		
Port Size*	1/2 NPT	1 NPT	1-1/2 NPT
Media		Air	
Noise Reduction	25 dBA		
Weight	0.4 (0,18)		

* Place "C" in position 4 to specify BSPP-G.

Materials of Construction

Corrosion Resistant Threaded End Cap	Nylon
Cover Cap	Plastic
Filter Elements –	
Primary	Borosilicate Cloth
Secondary	PVC Fiber
Oil Drain Cup	Plastic
Outer Support Sleeve	Plastic Mesh Screen

Exhaust Silencer / Mist Eliminator XMC

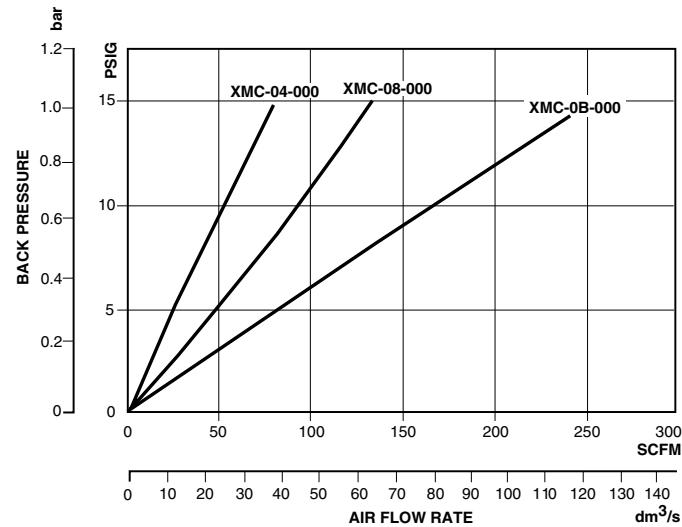
The XMC Series High Performance Exhaust Silencer / Mist Eliminator is an efficient solution to exhaust air oil mist contamination and excessive noise levels generated by exhaust air at levels generally above acceptable safety standards. The Wilkerson XMC Series Exhaust Silencer / Mist Eliminator solves the following two problems:

Oil and Mist Contamination

Exhaust air from various in-plant pneumatic components, such as valves and cylinders generally contain a significant amount of oil mists, as well as solid particles and other lubricant additives which will pollute the working environment, affect worker's health and the quality of the final product.

Operation

During unit operation, the XMC unit coalesces oil mists, which then collect into an integral drainage cup at the bottom of the element. Depending upon the volume of contamination exhausting into the unit, this may either be drained off periodically by removing the rubber drain plug cap and drain into a container, or continuously by connecting a suitable length of plastic tubing to the drain plug on the unit. The XMC is a disposable unit and should be changed when the back pressure becomes excessive for your particular installation.

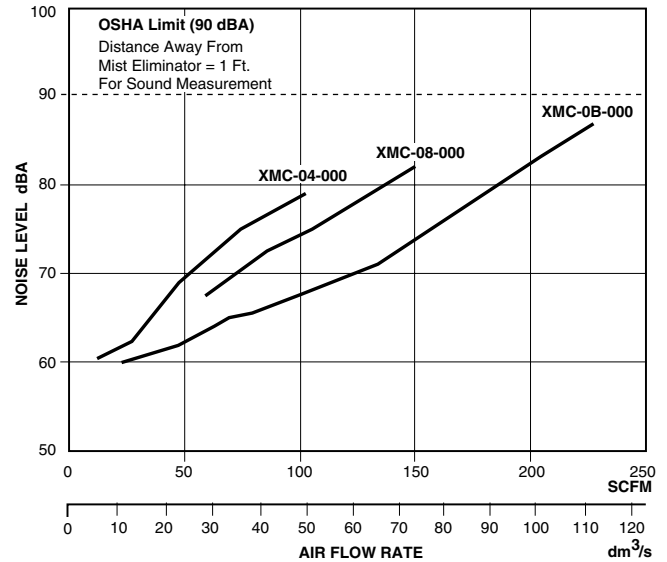


Back Pressure Chart

Unacceptable Noise Levels

The expanding exhaust air also produces both sudden and excessive noise, generally at levels well above the OSHA requirements of 90 decibels (dBA), which makes the working environment both unpleasant and potentially unsafe.

By using a Wilkerson XMC Series unit, oil mist and other contaminants inherent in lubricated air lines are removed thus preventing them from entering the atmosphere. At the same time, the noise level is reduced to meet and exceed the requirements of OSHA standards applicable to environmental conditions. The high performance XMC models remove up to 99.9% of the oil mist from the exhaust air, providing a clean, healthy work environment.



Noise Characteristics Chart

Installation

Wilkerson's XMC Exhaust Silencer / Mist Eliminators can be easily and quickly installed in the exhaust ports of pneumatic valves, air motors and other air operated devices to reduce work area noise and eliminate oil mist from exhaust air. Use of collective piping or manifold where multiple air devices are used makes for easy maintenance and control of oil mist collection and disposal. For manual draining, attach plastic tubing with an inside diameter of 0.25" (6.35 mm) and run tubing from the drain to the collecting container. When installed without plastic tubing, periodically remove rubber drain plug cap and manually drain unit into a proper disposable container.



Liquid Separators

WSA / WS0

 = "Most Popular"



Specifications

Maximum Operating Pressure	(WSA)	200 PSIG (13.8 bar)
	(WS0)	232 PSIG (16.0 bar)
Operating Temperature	(WSA)	32° to 150°F (0° to 65.5°C)
	(WS0)	35° to 176°F (1.6° to 80°C)
Pressure Differential at Rated Flow		1.0 PSID (0.07 bar)

Materials of Construction

	WSA	WS0
Housing	Zinc	Aluminum
Seals	Nitrile	Fluorocarbo

Features

- High Flow Rates
- Less than 1 PSIG Differential Pressure
- Lightweight Cast Aluminum Housing with 1" to 3" NPT Connections (WS0)
- Cast Zinc Housings with 1/4" to 1" NPT Connections (WSA)
- External Surfaces Epoxy Painted for Maximum Corrosion Protection
- Standard Equipped with Quick Disconnect Bowls for
- Three (3) Different Optional Models of Automatic Drains Available

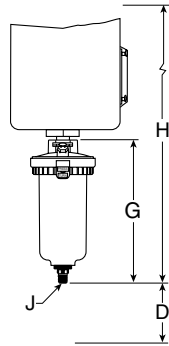
Liquid Separators

Our unique design combines the techniques of centrifugal action and other mechanical separation principles (Impingement, Separation, Laminar Flow and Stokes Law) to remove large quantities of liquid and solid contamination.

Typical applications include water separation downstream of aftercoolers, protection of refrigerant and heatless regenerative desiccant dryers, downstream of air receivers, and other liquid / gas separation duties where the volume of water and solids poses a real problem.

Model Number	In / Out NPT Pipe Conn.	Rated Flow (SCFM) @ 100 PSIG*	Approx. Weight lbs.	Recommended Automatic Drain
WSA-02-M00**	1/4"	25	2.2	Optional
WSA-02-FM0	1/4"	25	2.2	Internal
WSA-03-M00**	3/8"	50	2.6	Optional
WSA-03-FM0	3/8"	50	2.6	Internal
WSA-04-M00**	1/2"	50	2.6	Optional
WSA-04-FM0	1/2"	50	2.6	Internal
WSA-06-M00**	3/4"	100	6.0	Optional
WSA-06-FM0	3/4"	100	6.0	Internal
WSA-08-M00**	1"	120	6.0	Optional
WSA-08-FM0	1"	120	6.0	Internal
WS0-08-000B	1"	233	4.8	X02-04-FM0 WDV3-G
WS0-0B-000B	1-1/2"	472	11.2	X02-04-FM0 WDV3-G
WS0-0C-000B	2"	742	11.2	X02-04-FM0 WDV3-G
WS0-0E-000B	3"	1700	22.0	X02-04-FM0 WDV3-G

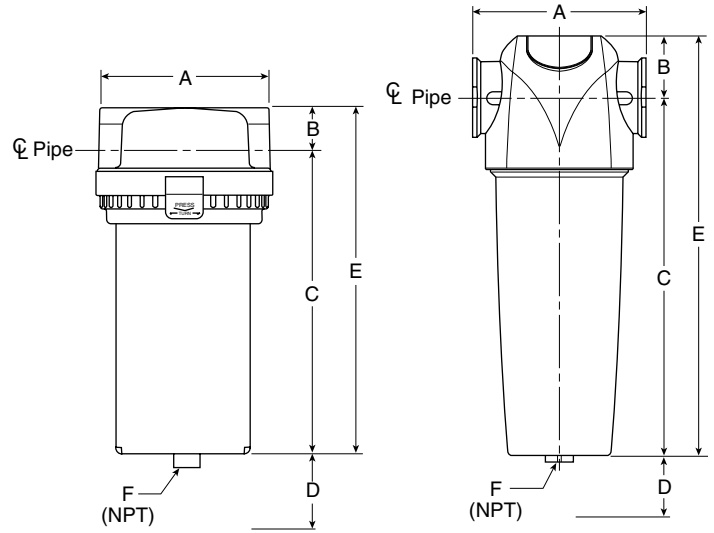
*1 PSID maximum differential. See note on page 9. **Models have petcock.



X02

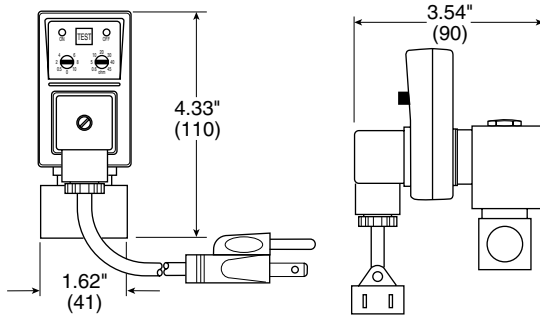
D = Bowl Removal Clearance Dimension

J = External Drain Discharge Port (NPT)



WSA

WS0



Front View

Side View

WDV3-G

NOTE: MAXIMUM separator efficiency of 98%+ is achieved in the range of 15 to 100% of rated flow in SCFM. At flow rates of <15% or >100%, separator efficiency is reduced considerably. Consult your Wilkerson distributor or contact Wilkerson for assistance in selecting the correct separator model for your application.

Model Number	A	B	C	D	E	NPT F	G	H	NPT J
WSA-02-M00*	3.00	.90	5.51	3.50	6.41	1/8	—	—	—
WSA-02-FM0	3.00	.90	5.51	3.50	6.41	1/8	—	—	—
WSA-03-M00*	3.35	.98	6.36	3.50	7.34	1/8	—	—	—
WSA-03-FM0	3.35	.98	6.36	3.50	7.34	1/8	—	—	—
WSA-04-M00*	3.35	.98	6.36	3.50	7.34	1/8	—	—	—
WSA-04-FM0	3.35	.98	6.36	3.50	7.34	1/8	—	—	—
WSA-06-M00*	4.62	1.00	9.00	3.50	10.00	1/8	—	—	—
WSA-06-FM0	4.62	1.00	9.00	3.50	10.00	1/8	—	—	—
WSA-08-M00*	4.62	1.00	9.00	3.50	10.00	1/8	—	—	—
WSA-08-FM0	4.62	1.00	9.00	3.50	10.00	1/8	—	—	—
WS0-08-000B	5.10	1.60	9.20	3.00	10.80	1/2	5.90	18.00	1/4
WDV3-G	—	—	—	—	—	—	1.62	13.72	—
WS0-0B-000B	6.70	2.00	15.00	4.00	17.00	1/2	5.90	18.00	1/4
WDV3-G	—	—	—	—	—	—	1.62	13.72	—
WS0-0C-000B	6.70	2.00	15.00	4.00	17.00	1/2	5.90	24.50	1/4
WDV3-G	—	—	—	—	—	—	1.62	20.22	—
WS0-0E-000B	8.10	2.40	17.50	4.72	19.90	1/2	5.90	28.90	1/4
WDV3-G	—	—	—	—	—	—	1.62	24.62	—

*Models have petcock.



External Drain X01

 = "Most Popular"



X01-04-000

Features

- Fully Automatic Float Operated
- No Electrical Connections
- Easily Installed
- Internal Pilot Operated
- Quick-Disconnected Clamp Ring for Easy Bowl Removal when Servicing
- Transparent Bowl with Metal Bowl Guard Standard

Specifications

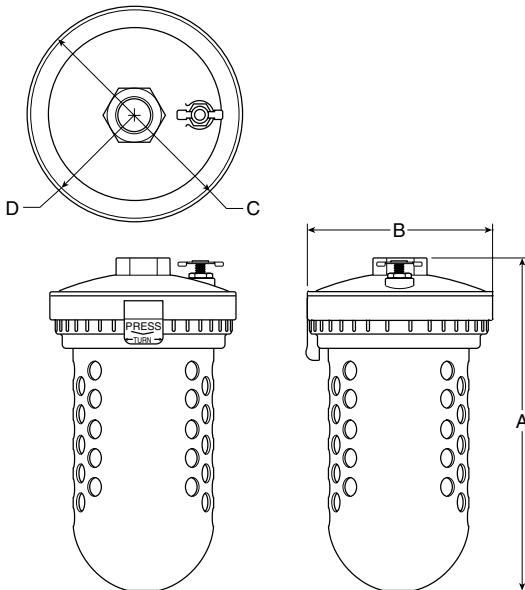
Drain Rate	150 GPH @ 100 PSIG (570 l/h @ 6.9 bar)	
Maximum Supply Pressure	Plastic Bowl Metal Bowl	150 PSIG (10.3 bar) 200 PSIG (13.8 bar)
Operating Temperature	Plastic Bowl Metal Bowl	32° to 125°F (0° to 52°C) 32° to 150°F (0° to 65.5°C)
Port Size	NPT / BSPP-G 1/2	
Use Retention	qt. (l)	1 (0.95)
Weight	lb. (kg)	4.6 (2.1)

Materials of Construction

Body	Zinc
Float Assembly	Plastic with Stainless Steel Internals

Replacement Kits

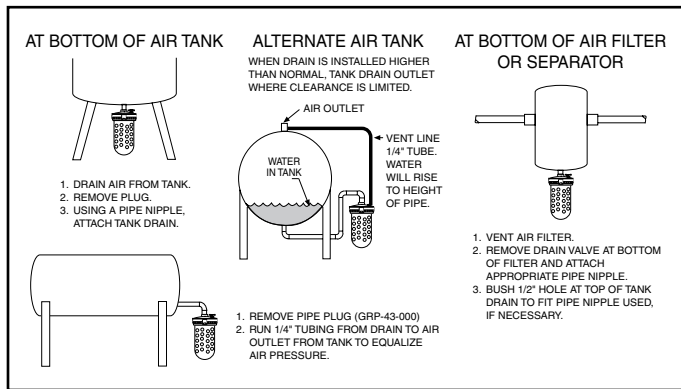
Bowl Guard, Metal (for Plastic Bowl).....	GRP-95-808
Bowl –	
Metal, Drain Seat.....	FRP-95-630
Plastic with Drain Seat and Metal Bowl Guard...	XRP-95-746
Clamp Ring Assembly.....	GRP-96-404
Drain, Over Center Float Drain Assembly.....	XRP-96-244
Drain, Over Center Float Drain Assembly –	
Rebuild Kit	DRP-95-141
Drain Seat Assembly	GRP-96-002
O-ring, Bowl –	
Fluorocarbon (10 per kit).....	GRP-95-942
Bowl, Nitrile (10 per kit)	GRP-95-256



Dimensions

Models	Inches (mm)	A	B	C	D
Standard Unit X01-04-000		8.58 (218)	4.76 (121)	4.76 (121)	2.36 (60)

Typical Installations



External Drain

As liquid contaminants collect in the bowl, they raise a closed-cell molded float. When the liquid level reaches a given point, the float triggers a mechanism, which pilots line pressure against a large-area diaphragm, which snaps open the drain valve. The contaminants are discharged from the drain orifice at line pressure. As the liquid level falls, the pilot valve closes, line pressure against the diaphragm returns to atmosphere and the drain valve snaps closed.

External Drain X02 / XB3

= "Most Popular"



X02-04-000

XB3-04-M00

Features

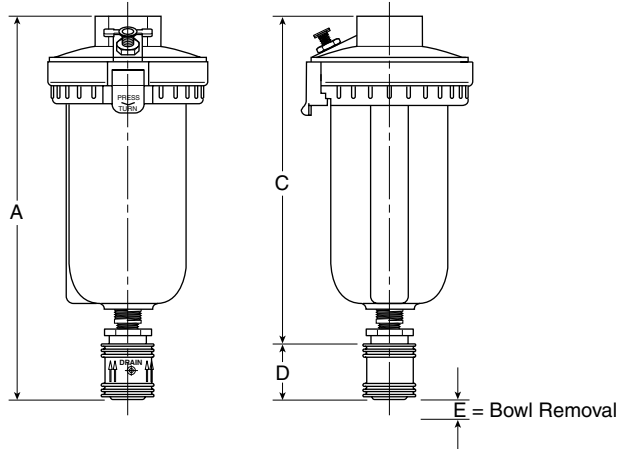
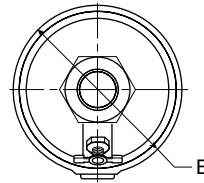
- Available in NPT and BSPP-G Ports
- The Manual Override Allows Drainage at Any Time Without Waiting
- Use of the Manual Override Does Not Interfere with the Normal Operation of the Drain
- To Assist in Compliance with EPA Regulations, a 1/8" Pipe Thread Allows the Liquid Discharge to be Piped Away. The X02 Has No Manual Override for the Automatic Drain.

Specifications

Drain Rate	80 GPH @ 100 PSIG (300 l/h @ 6.9 bar)	
Maximum Supply Pressure	Plastic Bowl	150 PSIG (10.3 bar)
	Metal Bowl	200 PSIG (13.8 bar)
Operating Temperature	Plastic Bowl	32° to 125°F (0° to 52°C)
	Metal Bowl	32° to 150°F (0° to 65.5°C)
Port Size	NPT / BSPP-G 1/2	
Use Retention	oz. (cm ³) 5 (148)	
Weight	lb. (kg)	XB3 1.42 (0.6)
		X02 1.26 (0.6)

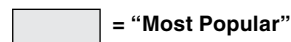
Materials of Construction

Body	Zinc
Float Assembly	Plastic with Stainless Steel Internals
Manual Override	Brass



Dimensions

Models	Inches (mm)	A	B	C	D	E
Standard Unit XB3-04-000		7.00 (179)	3.06 (78)	6.00 (152)	1.00 (25)	1.66 (42)
Standard Unit X02-04-F00		5.87 (149)	3.06 (78)	— —	— —	2.88 (73)
Metal Bowl XB3-04-M00		7.50 (190.5)	3.06 (78)	6.50 (165)	1.00 (25)	1.66 (42)
Metal Bowl X02-04-FM0		5.87 (149)	3.06 (78)	— —	— —	2.88 (73)



Replacement Bowl Kits

- Bowl Guard, Metal (for Plastic Bowls) GRP-95-846
- Metal Bowl –
 - Automatic Float Drain GRP-96-007
 - Brass Petcock GRP-95-539
 - Sight Gauge, Brass Petcock LRP-95-673
- Plastic Bowl –
 - Flex Tip Drain FRP-95-017
 - Plastic Petcock Drain LRP-96-543
- Plastic Bowl, Metal Bowl Guard –
 - Automatic Float Drain GRP-95-845
 - Flex Tip Drain FRP-95-847

Accessories

- Auto Float Drain –
 - Fluorocarbon GRP-95-981
- Drain, Manual Override For Auto Float Drains –
 - with 1/8 NPT Port GRP-96-000
- Manual Drain, Flex-Tip FRP-95-610

External Drain

Wilkerson drains are designed to remove liquid oil and water contaminants from compressed air systems automatically.

Liquid contaminants collected in the bowl cause the float mechanism to rise. When the liquid reaches a specific level the float triggers a mechanism which pilots line pressure against a large-area piston. This action causes the drain orifice to open and evacuate the liquid and particulate contaminants. As the liquid level falls the pilot valve closes, line pressure against the piston returns to atmosphere and the drain valve snaps closed.

Wilkerson’s XB3 model automatic drain includes the manual override. The manual override option allows for drainage at times when waiting for the system to drain automatically is not desirable.



External Piston Drain X51

 = "Most Popular"



X51-02-0000

Features

- Automatically Drains Liquid Water from Compressed Air Receiver
- Drains Every Time System Pressure Decays (20 PSIG)

Specifications

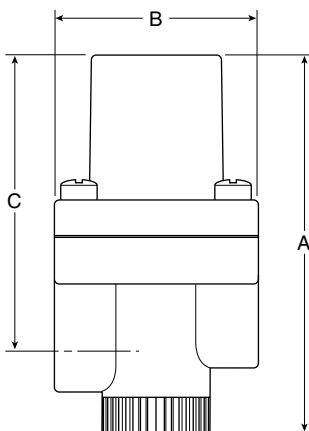
Maximum Supply Pressure	200 PSIG (13.8 bar)	
Minimum Supply Pressure	30 PSIG (2.1 bar)	
Minimum Differential Pressure Required	20 PSIG (1.4 bar)	
Operating Temperature	32° to 150°F (0° to 65.5°C)	
Port Size	NPT / BSPP-G	1/4
Weight	lb. (kg)	.8 (.36)

Materials of Construction

Body	Aluminum
Bottom Cap	Plastic
Check Valve Ball	Chrome Alloy Steel
Piston	Brass
Seals	Fluorocarbon
Springs	Steel

Replacement Kits

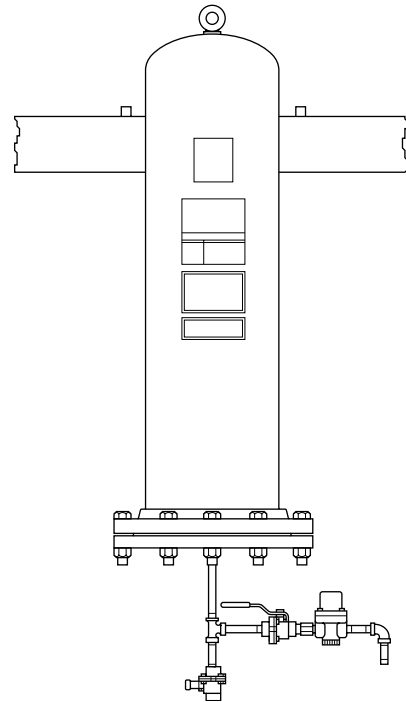
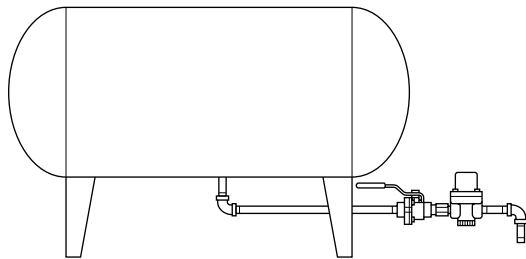
Maintenance Kit	XRP-95-511
Piston	XRP-95-512



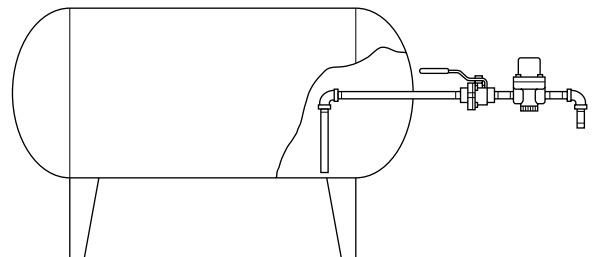
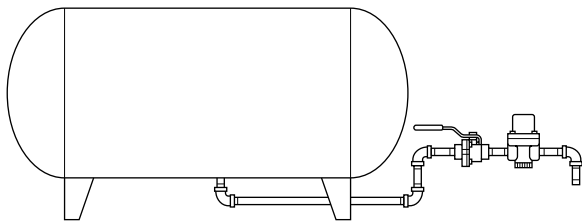
Dimensions

Models	Inches (mm)	A	B	C
Standard Unit X51-02-0000		3.81 (96.8)	2.11 (53.6)	2.93 (74.4)

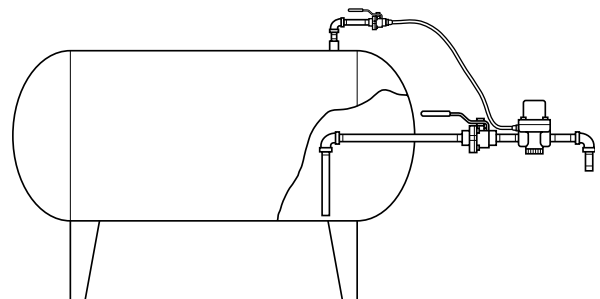
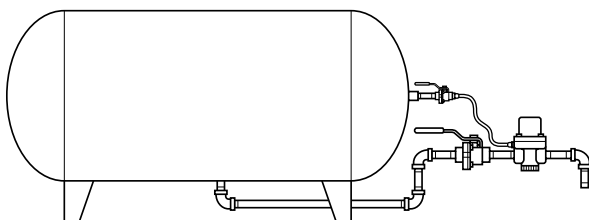
**Standard Acceptable Installation
(X51 Mounted at Lowest Point in System)**



**Unacceptable Installation
(X51 Installed in Piping Above Lowest Point)**



**Proper Installation of Remote Pilot
(X51 Installed Above Lowest Point)**



Automatic Electrical Drain Valve

WDV3-G



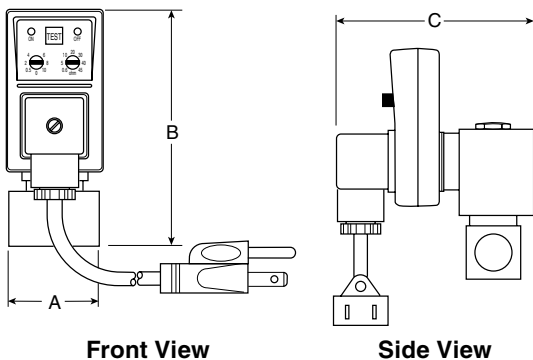
WDV3-G

The Wilkerson Electrical Drain is designed to automatically drain large amounts of collected water, while minimizing air loss from compressed air systems. This drain is ideally suited to draining separators, receivers, refrigerated dryers, filters and drop legs.

The Wilkerson Automatic Electrical Drain guards against damage by liquid carryover. The unit discharges up to 20 GPM at 100 PSIG. This normally closed valve is designed with a non-clogging full-port drain orifice to provide reliable draining and minimal routine servicing.

The dual timing features of 30 seconds to 45 minutes cycle time and 1/2 to 10 seconds valve open time permit adjustments over a wide range of applications. Simply adjust the cycle time interval and the valve open time to meet your specific requirements. The Automatic Electrical Drain eliminates manual draining of accumulated water in a compressed air system. The two indicator lights, for indicating power on and valve open status, simplify installation and make visual checks easy.

Protection of the solid state controls is provided by a NEMA 4 enclosure, which isolates the components from moisture and dust. Each model is provided with a heavy-duty, six-foot-long, three-wire grounded power cord for easy installation.



Dimensions

Models	Inches (mm)	A	B	C
Standard Unit WDV3-G-02-000		161 (41)	4.33 (110)	3.54 (90)

= "Most Popular"

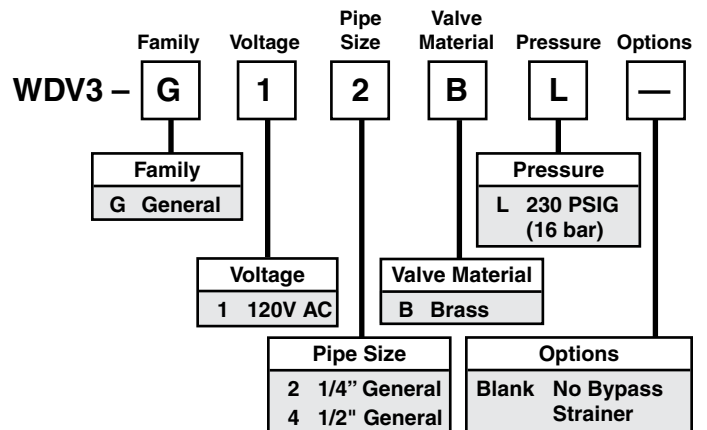
Specifications

Operating Pressure (-L Models)	230 PSIG (15,9 bar)	
Ambient Operating Range Temperature	33° to 130°F (0,1° to 54°C)	
Coil Insulation	Class H	340°F (171,1°C)
Voltages	AC	115, 230/50-60
	DC	24
Timer	Open Time	1/2 to 10 sec., Adjustable
	Cycle Time	30 sec. to 45 min., Adjustable
Maximum Current Rating	4mA Max.	
Port Size	NPT	1/4, 1/2
Weight	lb. (kg)	1.8 (0,8)

Materials of Construction

Valve Body	Brass / Stainless Steel	
Enclosure	NEMA 4	ABS Plastic
Internal Parts	Brass / Stainless Steel	
Sealing Material	NBR, FKM, EPDM	

Ordering Information



Demand Drain WDV2

 = "Most Popular"



WDV2-425

Features

- Zero Air Loss
- Automatically Self-Adjusting for Voltages from 110 to 230V
- Sensor Device with No Moving Parts
- Sophisticated Electronic Controls
- Alarm with Remote Contacts
- Large Inlet Port to Eliminate Clogging
- Manual Push-to-Test Button
- Automatically Clears Slugs

Benefits

- Energy Efficient
- World-Wide Applications
- Long Life
- High Reliability
- Versatility, Early Warning
- Low Maintenance
- On Demand Operation
- Maintenance Free

Specifications: WDV2-E

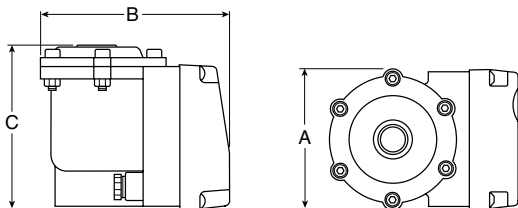
Drain Volume	0.01 Gallons / Cycle
Maximum Fluid Temperature	150°F (60°C)
Voltage	110 to 240V, 50/60 Hz

Operating Conditions

Ambient Temperature	33° to 140°F (0° to 60°C)
Maximum Operating Pressure	232 PSIG (16 bar)

The WDV2 Electronic Demand Drain Valves, with zero air loss, are suitable for all compressed air system applications from aftercoolers to filters to receivers to refrigerated dryers. These drain valves activate automatically and are both reliable and economical.

Condensate (water, oil, and dirt) collect in the sump while the diaphragm is held closed by system pressure. As soon as the top sensor detects liquid, the solenoid energizes. The chamber above the diaphragm deflates and the condensate is driven out by system pressure. A timer is activated which allows a specific amount of condensate out and closes before any air is lost. If the unit gets clogged with a slug of condensate and scale, it will pulse to push that slug out of the valve and allow it to continue working properly. If the slug can not be removed after a set period of time, an alarm light and contact will signal a problem.



Dimensions

Models	Inches (mm)	A	B	C
Standard Unit WDV2-EX		3.23 (82)	4.61 (117)	4.65 (118)



Motorized Ball Valve Drain WDV4

= "Most Popular"

When pipe scale, contaminants from deliquescent dryers or other large particles present in your condensate keep plugging or holding open your common drain valve, it's time for the WDV4

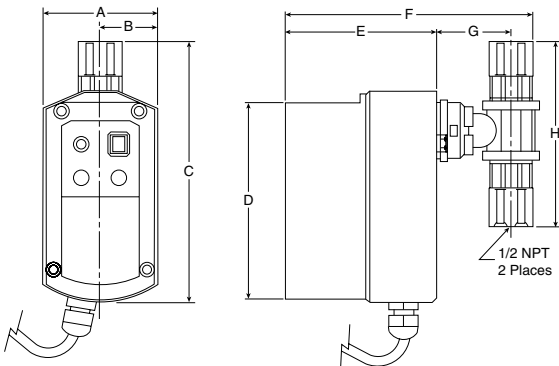


WDV4

motorized ball drain valve from Wilkerson. This valve is or sticking open. It consists of a 1/2" full-flow ball valve with an electric timer / motor. The internal timer is adjustable from 4 minutes to 24 hours, and the valve will perform one full rotation in 7.5 seconds. Battery backup will provide continued operation in the event of a power failure.

Features

- Designed for Heavy-Duty Applications
- High Pressure Capabilities
- Microprocessor-Based Electronics
- Weatherproof Enclosure
- Battery Backup Protection Against Power Failure (Not Available on Competitors' Units)
- Double O-ring Seal on Valve Shaft vs. Competitors with Only One O-ring Seal
- Corrosion Resistant Valve Coating
- 10 Programmable Settings From 4 Minutes to 24 Hours vs. Competitor's Dip Switch Selections from 6 to 10 Hours
- Manual Test Button
- Valve Open and Program Indicator
- Anti-Blockage System to Protect Motor



Dimensions

Models	Inches (mm)	A	B	C	D	E	F	G	H
WDV4-14		2.9 (74)	1.4 (35)	6.5 (165)	5.0 (127)	3.7 (94)	6.3 (160)	1.9 (48)	4.6 (119)
WDV4-18		2.9 (74)	1.4 (35)	6.5 (165)	5.0 (127)	3.7 (94)	6.3 (160)	1.9 (48)	5.0 (127)

Specifications

Connections	1/2" NPT
Cycle Time	4 minutes - 24 hours
Enclosure	Non-Corrosive Plastic
On Time	7.5 seconds
Programmed Settings	10
Valve	Nickel-Plated Brass with Stainless Steel Ball
Valve Sealing	Fluorocarbon O-rings with PTFE Seal
Voltage	115/230V AC 50/60 Hz

Operating Conditions

Maximum Operating Pressure	230 PSIG (16 bar)
Ambient Temperature	33° to 122°F (0° to 50°C)

Benefits

- Reliable — Long life
- Versatile Applications
- High Reliability
- Indoor / Outdoor Operation
- Continuous Operation
- No Leak of Condensate into Electronics
- Can be Used in Harsh Environments Like Deliquescent Dryers
- Versatility
- On-Demand Operation
- Visual Indication of Operation
- Motor Will Not Burn Out, Even Under Adverse Conditions

Ordering Information

WDV4-14	1/2"
WDV4-18	1"



J

Safety Guide For Selecting And Using Pneumatic Division Products And Related Accessories

WARNING:

FAILURE OR IMPROPER SELECTION OR IMPROPER USE OF PNEUMATIC DIVISION PRODUCTS, ASSEMBLIES OR RELATED ITEMS (“PRODUCTS”) CAN CAUSE DEATH, PERSONAL INJURY, AND PROPERTY DAMAGE. POSSIBLE CONSEQUENCES OF FAILURE OR IMPROPER SELECTION OR IMPROPER USE OF THESE PRODUCTS INCLUDE BUT ARE NOT LIMITED TO:

- Unintended or mistimed cycling or motion of machine members or failure to cycle
- Work pieces or component parts being thrown off at high speeds.
- Failure of a device to function properly for example, failure to clamp or unclamp an associated item or device.
- Explosion
- Suddenly moving or falling objects.
- Release of toxic or otherwise injurious liquids or gasses.

Before selecting or using any of these Products, it is important that you read and follow the instructions below.

1. GENERAL INSTRUCTIONS

- 1.1. Scope:** This safety guide is designed to cover general guidelines on the installation, use, and maintenance of Pneumatic Division Valves, FRLs (Filters pressure Regulators and Lubricators), Vacuum products and related accessory components.
- 1.2. Fail-Safe:** Valves, FRLs, Vacuum products and their related components can and do fail without warning for many reasons. Design all systems and equipment in a fail-safe mode, so that failure of associated valves, FRLs or Vacuum products will not endanger persons or property.
- 1.3. Distribution:** Provide a copy of this safety guide to each person that is responsible for selection, installation, or use of Valves, FRLs or Vacuum products. Do not select, or use Wilkerson valves, FRLs or vacuum products without thoroughly reading and understanding this safety guide as well as the specific Wilkerson publications for the products considered or selected.
- 1.4. User Responsibility:** Due to the wide variety of operating conditions and applications for valves, FRLs, and vacuum products Wilkerson and its distributors do not represent or warrant that any particular valve, FRL or vacuum product is suitable for any specific end use system. This safety guide does not analyze all technical parameters that must be considered in selecting a product. The user, through its own analysis and testing, is solely responsible for:
 - Making the final selection of the appropriate valve, FRL, Vacuum component, or accessory.
 - Assuring that all user's performance, endurance, maintenance, safety, and warning requirements are met and that the application presents no health or safety hazards.
 - Complying with all existing warning labels and / or providing all appropriate health and safety warnings on the equipment on which the valves, FRLs or Vacuum products are used; and,
 - Assuring compliance with all applicable government and industry standards.
- 1.5. Safety Devices:** Safety devices should not be removed, or defeated.
- 1.6. Warning Labels:** Warning labels should not be removed, painted over or otherwise obscured.
- 1.7. Additional Questions:** Call the appropriate Wilkerson technical service department if you have any questions or require any additional information. See the Wilkerson publication for the product being considered or used, or call 269-629-2550, or go to www.wilkersoncorp.com, for telephone numbers of the appropriate technical service department.

2. PRODUCT SELECTION INSTRUCTIONS

- 2.1. Flow Rate:** The flow rate requirements of a system are frequently the primary consideration when designing any pneumatic system. System components need to be able to provide adequate flow and pressure for the desired application.
- 2.2. Pressure Rating:** Never exceed the rated pressure of a product. Consult product labeling, Pneumatic Division catalogs or the instruction sheets supplied for maximum pressure ratings.
- 2.3. Temperature Rating:** Never exceed the temperature rating of a product. Excessive heat can shorten the life expectancy of a product and result in complete product failure.
- 2.4. Environment:** Many environmental conditions can affect the integrity and suitability of a product for a given application. Pneumatic Division products are designed for use in general purpose industrial applications. If these products are to be used in unusual circumstances such as direct sunlight and/or corrosive or caustic environments, such use can shorten the useful life and lead to premature failure of a product.
- 2.5. Lubrication and Compressor Carryover:** Some modern synthetic oils can and will attack nitrile seals. If there is any possibility of synthetic oils or greases migrating into the pneumatic components check for compatibility with the seal materials used. Consult the factory or product literature for materials of construction.
- 2.6. Polycarbonate Bowls and Sight Glasses:** To avoid potential polycarbonate bowl failures:
 - Do not locate polycarbonate bowls or sight glasses in areas where they could be subject to direct sunlight, impact blow, or temperatures outside of the rated range.
 - Do not expose or clean polycarbonate bowls with detergents, chlorinated hydro-carbons, ketones, esters or certain alcohols.
 - Do not use polycarbonate bowls or sight glasses in air systems where compressors are lubricated with fire resistant fluids such as phosphate ester and di-ester lubricants.

2.7. Chemical Compatibility: For more information on plastic component chemical compatibility see Pneumatic Division technical bulletins Tec-3, Tec-4, and Tec-5

- 2.8. Product Rupture:** Product rupture can cause death, serious personal injury, and property damage.
- Do not connect pressure regulators or other Pneumatic Division products to bottled gas cylinders.
 - Do not exceed the maximum primary pressure rating of any pressure regulator or any system component.
 - Consult product labeling or product literature for pressure rating limitations.

3. PRODUCT ASSEMBLY AND INSTALLATION INSTRUCTIONS

3.1. Component Inspection: Prior to assembly or installation a careful examination of the valves, FRLs or vacuum products must be performed. All components must be checked for correct style, size, and catalog number. DO NOT use any component that displays any signs of nonconformance.

3.2. Installation Instructions: Wilkerson published Installation Instructions must be followed for installation of Wilkerson valves, FRLs and vacuum components. These instructions are provided with every Wilkerson valve or FRL sold, or by calling 269-629-2550, or at www.wilkersoncorp.com.

3.3. Air Supply: The air supply or control medium supplied to Valves, FRLs and Vacuum components must be moisture-free if ambient temperature can drop below freezing

4. VALVE AND FRL MAINTENANCE AND REPLACEMENT INSTRUCTIONS

4.1. Maintenance: Even with proper selection and installation, valve, FRL and vacuum products service life may be significantly reduced without a continuing maintenance program. The severity of the application, risk potential from a component failure, and experience with any known failures in the application or in similar applications should determine the frequency of inspections and the servicing or replacement of Pneumatic Division products so that products are replaced before any failure occurs. A maintenance program must be established and followed by the user and, at minimum, must include instructions 4.2 through 4.10.

4.2. Installation and Service Instructions: Before attempting to service or replace any worn or damaged parts consult the appropriate Service Bulletin for the valve or FRL in question for the appropriate practices to service the unit in question. These Service and Installation Instructions are provided with every Wilkerson valve and FRL sold, or are available by calling 269-629-2550, or by accessing the Wilkerson web site at www.wilkersoncorp.com.

4.3. Lockout / Tagout Procedures: Be sure to follow all required lockout and tagout procedures when servicing equipment. For more information see: OSHA Standard – 29 CFR, Part 1910.147, Appendix A, The Control of Hazardous Energy – (Lockout / Tagout)

4.4. Visual Inspection: Any of the following conditions requires immediate system shut down and replacement of worn or damaged components:

- Air leakage: Look and listen to see if there are any signs of visual damage to any of the components in the system. Leakage is an indication of worn or damaged components.
- Damaged or degraded components: Look to see if there are any visible signs of wear or component degradation.
- Kinked, crushed, or damaged hoses. Kinked hoses can result in restricted air flow and lead to unpredictable system behavior.
- Any observed improper system or component function: Immediately shut down the system and correct malfunction.
- Excessive dirt build-up: Dirt and clutter can mask potentially hazardous situations.

Caution: Leak detection solutions should be rinsed off after use.

4.5. Routine Maintenance Issues:

- Remove excessive dirt, grime and clutter from work areas.
- Make sure all required guards and shields are in place.

4.6. Functional Test: Before initiating automatic operation, operate the system manually to make sure all required functions operate properly and safely.

4.7. Service or Replacement Intervals: It is the user's responsibility to establish appropriate service intervals. Valves, FRLs and vacuum products contain components that age, harden, wear, and otherwise deteriorate over time. Environmental conditions can significantly accelerate this process. Valves, FRLs and vacuum components need to be serviced or replaced on routine intervals. Service intervals need to be established based on:

- Previous performance experiences.
- Government and / or industrial standards.
- When failures could result in unacceptable down time, equipment damage or personal injury risk.

4.8. Servicing or Replacing of any Worn or Damaged Parts: To avoid unpredictable system behavior that can cause death, personal injury and property damage:

- Follow all government, state and local safety and servicing practices prior to service including but not limited to all OSHA Lockout Tagout procedures (OSHA Standard – 29 CFR, Part 1910.147, Appendix A, The Control of Hazardous Energy – Lockout / Tagout).
- Disconnect electrical supply (when necessary) before installation, servicing, or conversion.
- Disconnect air supply and depressurize all air lines connected to system and Pneumatic Division products before installation, service, or conversion.
- Installation, servicing, and / or conversion of these products must be performed by knowledgeable personnel who understand how pneumatic products are to be applied.
- After installation, servicing, or conversions air and electrical supplies (when necessary) should be connected and the product tested for proper function and leakage. If audible leakage is present, or if the product does not operate properly, do not put product or system into use.
- Warnings and specifications on the product should not be covered or painted over. If masking is not possible, contact your local representative for replacement labels.

4.9. Putting Serviced System Back into Operation: Follow the guidelines above and all relevant Installation and Maintenance Instructions supplied with the valve FRL or vacuum component to insure proper function of the system.

Warning: Use Limitations

Wilkerson's warranties are void, and Wilkerson assumes no responsibility for any resulting cost, loss, injury or any other damages whatsoever, with respect to any plastic bowl unit for which a bowl guard is standard equipment if the unit is placed in service without the bowl guard and, except as otherwise specified in writing by Wilkerson, with respect to any Wilkerson products which are used in other than compressed air service. Specific warnings with respect to these and other use limitations appear elsewhere in this catalog.

Wilkerson maintains a policy of ongoing product development and improvement. We therefore reserve the right to change dimensions specification and design without notice.

Do not place plastic bowl unit in service without bowl guard installed.

Plastic bowl units are sold only with bowl guards with the exception to miniature units (C04, F00, L00, & M00). To minimize the danger of flying fragments in the event of plastic bowl failure, the bowl guards should not be removed. If the unit is in service without the bowl guard installed, manufacturer's warranties are void, and the manufacturer assumes no responsibility for any resulting loss.

If the unit has been in service and does not have a bowl guard, order one and install before placing back in service.

Caution

Certain compressor oils, chemicals, household cleaners, solvents, paints and fumes will attack plastic bowls and can cause bowl failure. Do not use near these materials. When bowl becomes dirty replace bowl or wipe only with a clean, dry cloth. Reinstall bowl guard or buy and install a bowl guard. Immediately replace any crazed, cracked, damaged or deteriorated plastic bowl with a bowl or a new plastic bowl and bowl guard.

Caution

Except as otherwise specified by the manufacturer, this product is specifically designed for compressed air service, and use with any other fluid (liquid or gas) is a misapplication. For example, use with or injection of certain hazardous liquids or gases in the system (such as alcohol or liquid petroleum gas) could be harmful to the unit or result in a combustible condition or hazardous external leakage. Before using with fluids other than air, or for non-industrial applications, or for life support systems, consult Wilkerson Operations for written approval.

Some of the Materials that will Attack Polycarbonate Plastic Bowls

Acetaldehyde	Chloroform	Milk of Lime (CaOH)
Acetic acid (conc.)	Cresol	Nitric Acid (conc.)
Acetone	Cyclohexanol	Nitrobenzene
Acrylonitrile	Cyclohexanone	Nitrocellulose Lacquer
Ammonia	Cyclohexene	Phenol
Ammonium Fluoride	Dimethyl Formamide	Phosphorous Hydroxy Chloride
Ammonium Hydroxide	Diozane	Perchloroethylene
Ammonium Sulfide	Ethgane tetrachloride	Phosphorous
Anaerobic adhesives	Ethyl Acetate	Propionic Acid
Trichloride and Sealants	Ethyl Ether	Pyridine
Antifreeze	Ethylamine	Sodium Hydroxide
Benzene	Ethylene Chlorohydrin	Sodium Sulfide
Benzoic Acid	Ethylene Dichloride	Styrene
Benzyl Alcohol	Ethylene Glycol	Sulfuric Acid (conc.)
Brake Fluids	Formic Acid (conc.)	Sulphural Chloride
Bromobenzene	Freon (Refrig. & Propell.)	Tetrahydronaphthalene
Butyric Acid	Gasoline (High Aromatic)	Tiophene
Carbolic Acid	Hydrazine	Toluene
Carbon Disulfide	Hydrochloric Acid (conc.)	Turpentine
Carbon Tetrachloride	Lacquer Thinner	Xylene & Others
Caustic Potash Solution	Methyl Alcohol	
Caustic Soda Solution	Methylene Chloride	
Chlorobenzene	Methylene Salicylate	

Trade Names of some Compressor Oils, Rubber Compounds and other Materials that will Attack Polycarbonate Plastic Bowls.

Atlas "Perma-Guard"	National Compound #N11
Buna N	"Nylock" VC-3
Cellulube #150 and #220	Parco #1306 Neoprene
Crylex #5 cement	*Permabond 910
*Eastman 910	Petron PD287
Garlock #98403 (polyurethane)	Prestone
Haskel #568-023	Pydraul AC
Hilgard Co.'s hil phene	Sears Regular Motor Oil
Houghton & Co. oil #1120, #1130 & #1055	Sinclair oil "Lily White"
Houtosafe 1000	Stauffer Chemical FYRQUEL #150
Kano Kroil	Stillman #SR 269-75 (polyurethane)
Keystone penetrating oil #2	Stillman #SR 513-70 (neoprene)
*Loctite 271	Tannergas
*Locite 290	Telar
*Loctite 601	Tenneco anderol #495 & #500 oils
*Loctite Teflon-Sealant	Titon
Marvel Mystery Oil	*Vibra-tite
Minn. Rubber 366Y	Zerex
*When in raw liquid form.	

We cannot possibly list all harmful substances, so check with Mobay or the General Electric office for further information on polycarbonate plastic.

The trade names "EconOmist" and "Flow-Guide" are registered at the United States Patent Office.

"Auto-Fill", "Dial-Air", "Flex-Drain", "Mainliner" and "Whirl-Flö" are tradenames of Wilkerson.

Claims and Shortages: Risk of loss passes to buyer when goods are delivered to the carrier. Inspect all shipments for damage at time of receipt. Claims should be filed by the consignee against the carrier.

Changes: Wilkerson maintains a policy of ongoing product development and improvement. We therefore reserve the right to change dimensions, specifications and design without notice.

Offer of Sale

The items described in this document and other documents or descriptions provided by The Company, its subsidiaries and its authorized distributors, are hereby offered for sale at prices to be established by The Company, its subsidiaries and its authorized distributors. This offer and its acceptance by any customer ("Buyer") shall be governed by all of the following Terms and Conditions. Buyer's order for any such item, when communicated to The Company, its subsidiaries or an authorized distributor ("Seller") verbally or in writing, shall constitute acceptance of this offer.

1. Terms and Conditions of Sale: All descriptions, quotations, proposals, offers, acknowledgments, acceptances and sales of Seller's products are subject to and shall be governed exclusively by the terms and conditions stated herein. Buyer's acceptance of any offer to sell is limited to these terms and conditions. Any terms or conditions in addition to, or inconsistent with those stated herein, proposed by Buyer in any acceptance of an offer by Seller, are hereby objected to. No such additional, different or inconsistent terms and conditions shall become part of the contract between Buyer and Seller unless expressly accepted in writing by Seller. Seller's acceptance of any offer to purchase by Buyer is expressly conditional upon Buyer's assent to all the terms and conditions stated herein, including any terms in addition to, or inconsistent with those contained in Buyer's offer. Acceptance of Seller's products shall in all events constitute such assent.

2. Payment: Payment shall be made by Buyer net 30 days from the date of delivery of the items purchased hereunder. Amounts not timely paid shall bear interest at the maximum rate permitted by law for each month or portion thereof that the Buyer is late in making payment. Any claims by Buyer for omissions or shortages in a shipment shall be waived unless Seller receives notice thereof within 30 days after Buyer's receipt of the shipment.

3. Delivery: Unless otherwise provided on the face hereof, delivery shall be made F.O.B. Seller's plant. Regardless of the method of delivery, however, risk of loss shall pass to Buyer upon Seller's delivery to a carrier. Any delivery dates shown are approximate only and Seller shall have no liability for any delays in delivery.

4. Warranty: Seller warrants that the items sold hereunder shall be free from defects in material or workmanship for a period of 18 months from date of shipment from The Company. THIS WARRANTY COMPRISES THE SOLE AND ENTIRE WARRANTY PERTAINING TO ITEMS PROVIDED HEREUNDER. SELLER MAKES NO OTHER WARRANTY, GUARANTEE, OR REPRESENTATION OF ANY KIND WHATSOEVER. ALL OTHER WARRANTIES, INCLUDING BUT NOT LIMITED TO, MERCHANTABILITY AND FITNESS FOR PURPOSE, WHETHER EXPRESS, IMPLIED, OR ARISING BY OPERATION OF LAW, TRADE USAGE, OR COURSE OF DEALING ARE HEREBY DISCLAIMED.

NOTWITHSTANDING THE FOREGOING, THERE ARE NO WARRANTIES WHATSOEVER ON ITEMS BUILT OR ACQUIRED WHOLLY OR PARTIALLY, TO BUYER'S DESIGN OR SPECIFICATIONS.

5. Limitation of Remedy: SELLER'S LIABILITY ARISING FROM OR IN ANY WAY CONNECTED WITH THE ITEMS SOLD OR THIS CONTRACT SHALL BE LIMITED EXCLUSIVELY TO REPAIR OR REPLACEMENT OF THE ITEMS SOLD OR REFUND OF THE PURCHASE PRICE PAID BY BUYER, AT SELLER'S SOLE OPTION. IN NO EVENT SHALL SELLER BE LIABLE FOR ANY INCIDENTAL, CONSEQUENTIAL OR SPECIAL DAMAGES OF ANY KIND OR NATURE WHATSOEVER, INCLUDING BUT NOT LIMITED TO LOST PROFITS ARISING FROM OR IN ANY WAY CONNECTED WITH THIS AGREEMENT OR ITEMS SOLD HEREUNDER, WHETHER ALLEGED TO ARISE FROM BREACH OF CONTRACT, EXPRESS OR IMPLIED WARRANTY, OR IN TORT, INCLUDING WITHOUT LIMITATION, NEGLIGENCE, FAILURE TO WARN OR STRICT LIABILITY.

6. Changes, Reschedules and Cancellations: Buyer may request to modify the designs or specifications for the items sold hereunder as well as the quantities and delivery dates thereof, or may request to cancel all or part of this order, however, no such requested modification or cancellation shall become part of the contract between Buyer and Seller unless accepted by Seller in a written amendment to this Agreement. Acceptance of any such requested modification or cancellation shall be at Seller's discretion, and shall be upon such terms and conditions as Seller may require.

7. Special Tooling: A tooling charge may be imposed for any special tooling, including without limitations, dies, fixtures, molds and patterns, acquired to manufacture items sold pursuant to this contract. Such special tooling shall be and remain Seller's property notwithstanding payment of any charges by Buyer. In no event will Buyer acquire any interest in apparatus belonging to Seller which is utilized in the manufacture of the items sold hereunder, even if such apparatus has been specially converted or adapted for such manufacture and notwithstanding any charges paid by Buyer. Unless otherwise agreed, Seller shall have the right to alter,

discard or otherwise dispose of any special tooling or other property in its sole discretion at any time.

8. Buyer's Property: Any designs, tools, patterns, materials, drawings, confidential information or equipment furnished by Buyer, or any other items which become Buyer's property, may be considered obsolete and may be destroyed by Seller after two (2) consecutive years have elapsed without Buyer placing an order for the items which are manufactured using such property. Seller shall not be responsible for any loss or damage to such property while it is in Seller's possession or control.

9. Taxes: Unless otherwise indicated on the face hereof, all prices and charges are exclusive of excise, sales, use, property, occupational or like taxes which may be imposed by any taxing authority upon the manufacture, sale or delivery of the items sold hereunder. If any such taxes must be paid by Seller or if Seller is liable for the collection of such tax, the amount thereof shall be in addition to the amounts for the items sold. Buyer agrees to pay all such taxes or to reimburse Seller therefore upon receipt of its invoice. If Buyer claims exemption from any sales, use or other tax imposed by any taxing authority, Buyer shall save Seller harmless from and against any such tax, together with any interest or penalties thereon which may be assessed if the items are held to be taxable.

10. Indemnity For Infringement of Intellectual Property Rights: Seller shall have no liability for infringement of any patents, trademarks, copyrights, trade dress, trade secrets or similar rights except as provided in this Part 10. Seller will defend and indemnify Buyer against allegations of infringement of U.S. patents, U.S. trademarks, copyrights, trade dress and trade secrets (hereinafter "Intellectual Property Rights"). Seller will defend at its expense and will pay the cost of any settlement or damages awarded in an action brought against Buyer based on an allegation that an item sold pursuant to this contract infringes the Intellectual Property Rights of a third party. Seller's obligation to defend and indemnify Buyer is contingent on Buyer notifying Seller within ten (10) days after Buyer becomes aware of such allegations of infringement, and Seller having sole control over the defense of any allegations or actions including all negotiations for settlement or compromise. If an item sold hereunder is subject to a claim that it infringes the Intellectual Property Rights of a third party, Seller may, at its sole expense and option, procure for Buyer the right to continue using said item, replace or modify said item so as to make it noninfringing, or offer to accept return of said item and return the purchase price less a reasonable allowance for depreciation. Notwithstanding the foregoing, Seller shall have no liability for claims of infringement based on information provided by Buyer, or directed to items delivered hereunder for which the designs are specified in whole or part by Buyer, or infringements resulting from the modification, combination or use in a system of any item sold hereunder. The foregoing provisions of this Part 10 shall constitute Seller's sole and exclusive liability and Buyer's sole and exclusive remedy for infringement of Intellectual Property Rights.

If a claim is based on information provided by Buyer or if the design for an item delivered hereunder is specified in whole or in part by Buyer, Buyer shall defend and indemnify Seller for all costs, expenses or judgments resulting from any claim that such item infringes any patent, trademark, copyright, trade dress, trade secret or any similar right.

11. Force Majeure: Seller does not assume the risk of and shall not be liable for delay or failure to perform any of Seller's obligations by reason of circumstances beyond the reasonable control of Seller (hereinafter "Events of Force Majeure"). Events of Force Majeure shall include without limitation, accidents, acts of God, strikes or labor disputes, acts, laws, rules or regulations of any government or government agency, fires, floods, delays or failures in delivery of carriers or suppliers, shortages of materials and any other cause beyond Seller's control.

12. Entire Agreement/Governing Law: The terms and conditions set forth herein, together with any amendments, modifications and any different terms or conditions expressly accepted by Seller in writing, shall constitute the entire Agreement concerning the items sold, and there are no oral or other representations or agreements which pertain thereto. This Agreement shall be governed in all respects by the law of the State of Ohio. No actions arising out of sale of the items sold hereunder or this Agreement may be brought by either party more than two (2) years after the cause of action accrues.

WILKERSON®

Wilkerson
Pneumatic Division
8676 E. M89
P.O. Box 901
Richland, MI 49083 USA

Customer/Technical Service

Tel: (269) 629-2550
Fax: (269) 629-2475
Web site: www.wilkersoncorp.com